



US00D622009S

(12) **United States Design Patent**
Jakubowski et al.

(10) **Patent No.:** **US D622,009 S**
(45) **Date of Patent:** **** Aug. 17, 2010**

(54) **FOLDABLE PET CRATE**

(75) Inventors: **Todd M. Jakubowski**, Rutland, VT (US); **Scott S. Jakubowski**, Castleton, VT (US); **Chris Jakubowski**, Rutland Town, VT (US); **Guang-Sheng Lin**, South Zhongshan (CN)

(73) Assignee: **Vermont Juvenile Furniture Mfg., Inc.**, West Rutland, VT (US)

(**) Term: **14 Years**

(21) Appl. No.: **29/356,500**

(22) Filed: **Feb. 26, 2010**

Related U.S. Application Data

(62) Division of application No. 29/302,366, filed on Jan. 15, 2008, now Pat. No. Des. 611,201.

(51) **LOC (9) Cl.** **30-02**

(52) **U.S. Cl.** **D30/119**

(58) **Field of Classification Search** D30/108-119; 119/496-499, 161-170, 28.5, 246, 253, 474, 119/282, 485, 501, 706, 847; 217/15; 206/6
See application file for complete search history.

(56) **References Cited**

U.S. PATENT DOCUMENTS

D171,740 S *	3/1954	Yellin	D30/109
2,713,347 A	7/1955	Hazy		
3,195,506 A *	7/1965	Beard	119/496
D214,566 S *	7/1969	Swinney	D30/109
D282,880 S *	3/1986	Barati	D30/114

5,669,331 A	9/1997	Richmond		
6,021,740 A	2/2000	Martz		
6,092,488 A	7/2000	Allawas		
6,216,638 B1 *	4/2001	Pivonka et al.	119/498
D483,156 S *	12/2003	Simpson	D30/108
D512,799 S *	12/2005	Simpson et al.	D30/108
D571,053 S *	6/2008	Donnelly	D30/108
D571,054 S *	6/2008	Donnelly	D30/109
D611,201 S *	3/2010	Jakubowski et al.	D30/108
2001/0035411 A1	11/2001	Kofod		
2005/0150892 A1	7/2005	Miller		
2006/0174841 A1	8/2006	Axelrod		

* cited by examiner

Primary Examiner—Mitchell I Siegel

(74) *Attorney, Agent, or Firm*—Volpe and Koenig, P.C.

(57) **CLAIM**

The ornamental design for a foldable pet crate, as shown and described.

DESCRIPTION

FIG. 1 is a perspective view of a foldable pet crate in accordance with our design in which elements shown in broken lines represent environment only and are not part of the claimed design;

FIG. 2 is a rear elevational view thereof;

FIG. 3 is a front elevational view thereof;

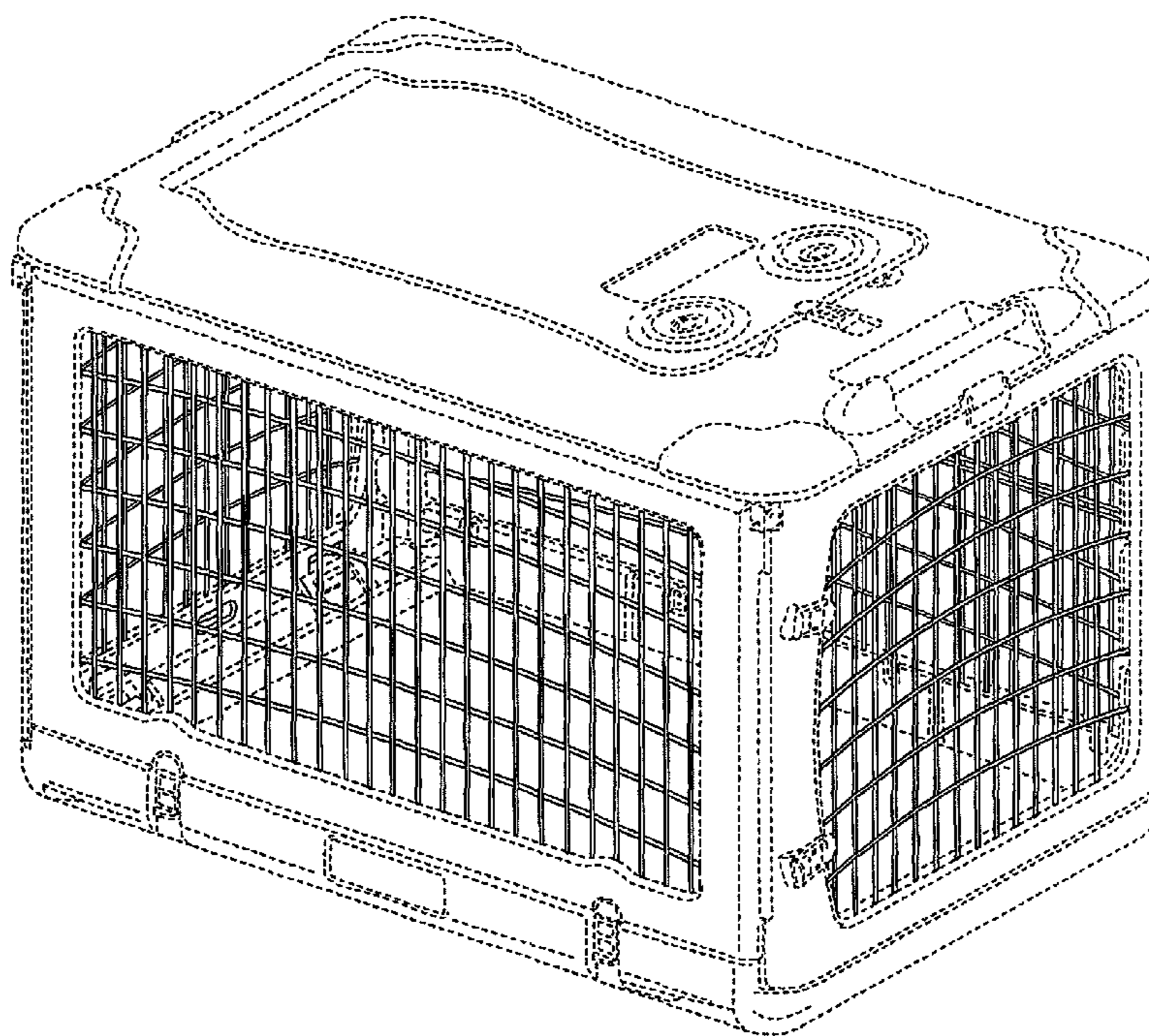
FIG. 4 is a right side elevational view thereof;

FIG. 5 is a left side elevational view thereof;

FIG. 6 is a top plan view thereof; and,

FIG. 7 is a bottom plan view thereof.

1 Claim, 7 Drawing Sheets



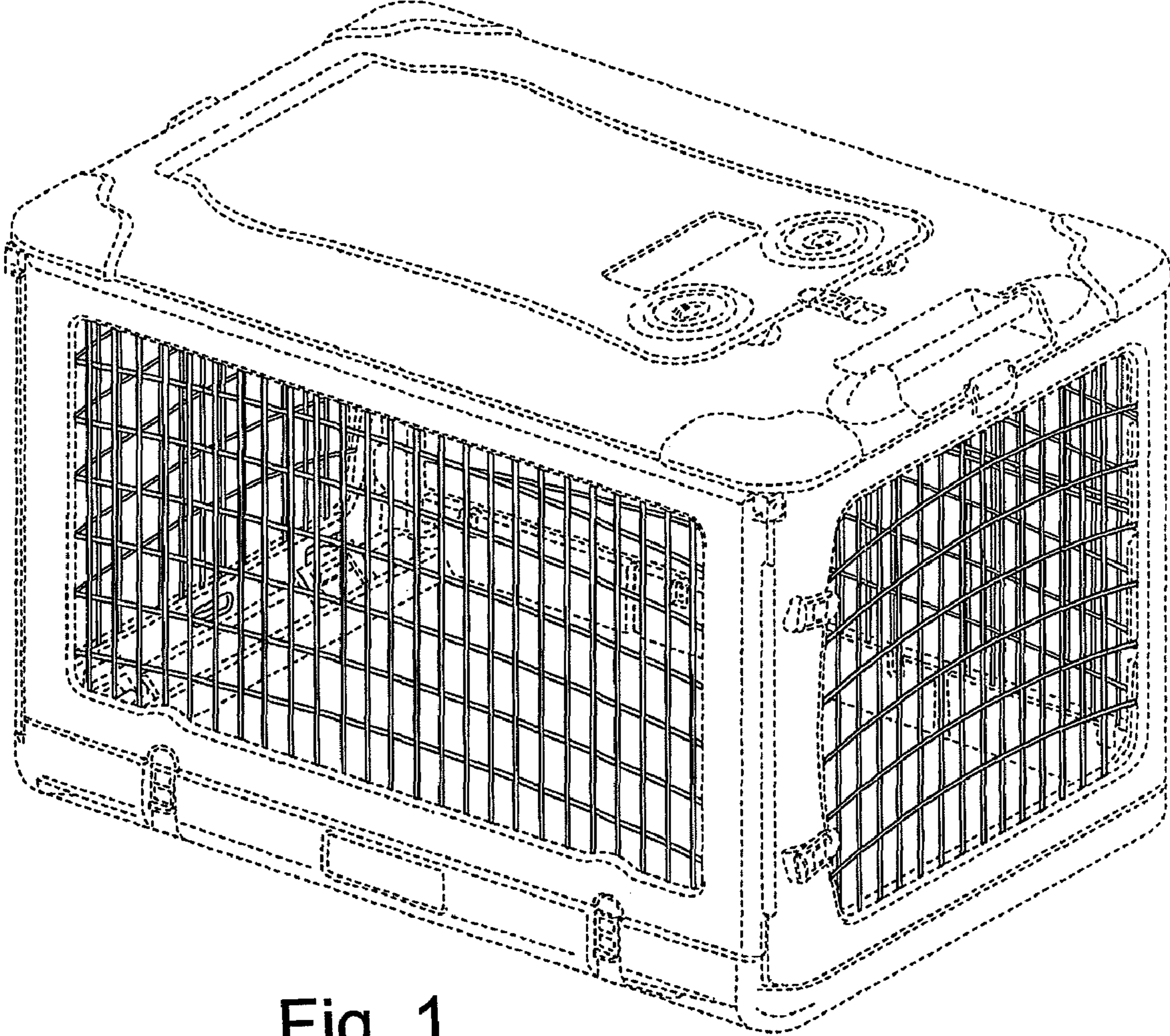


Fig. 1

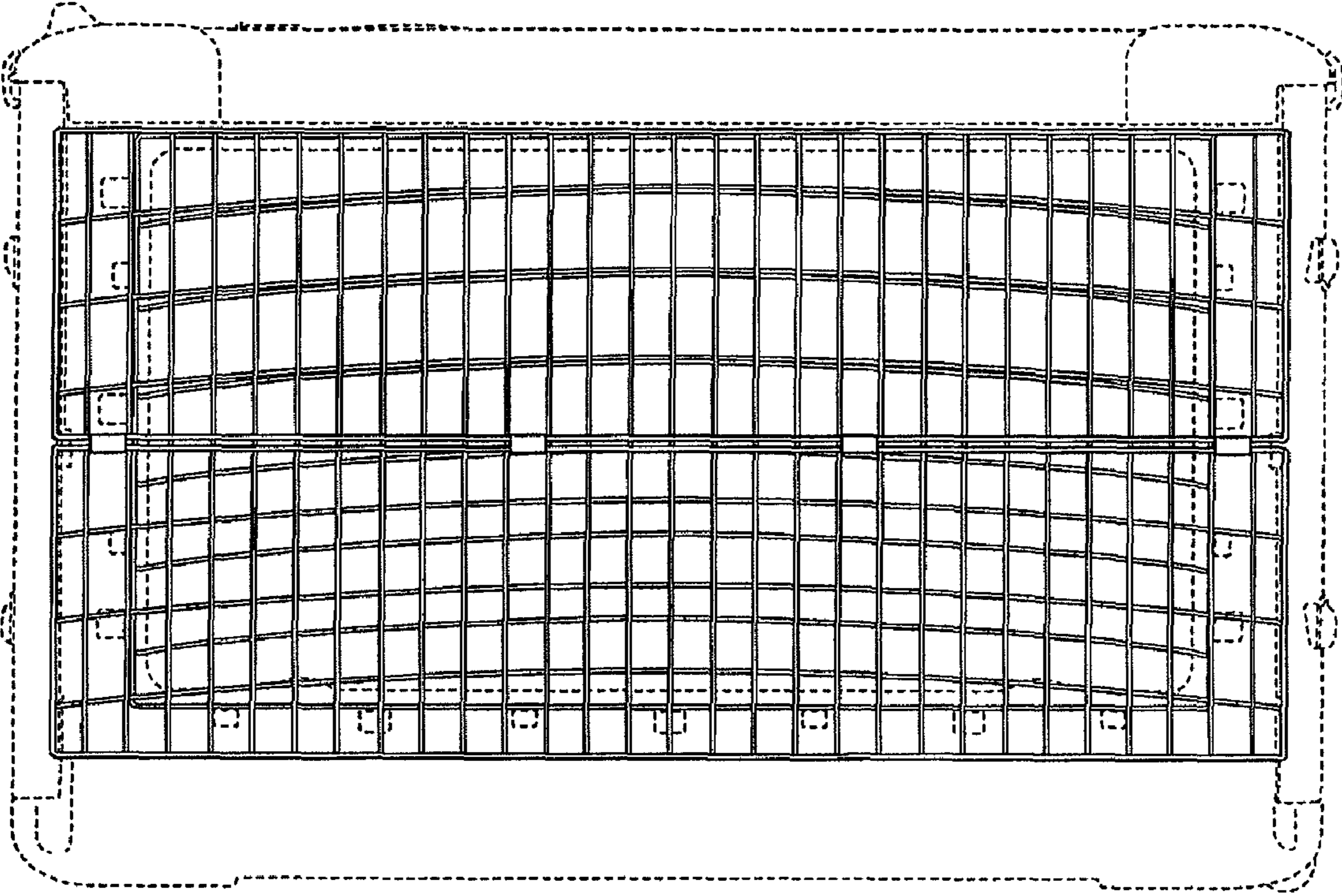


Fig. 2

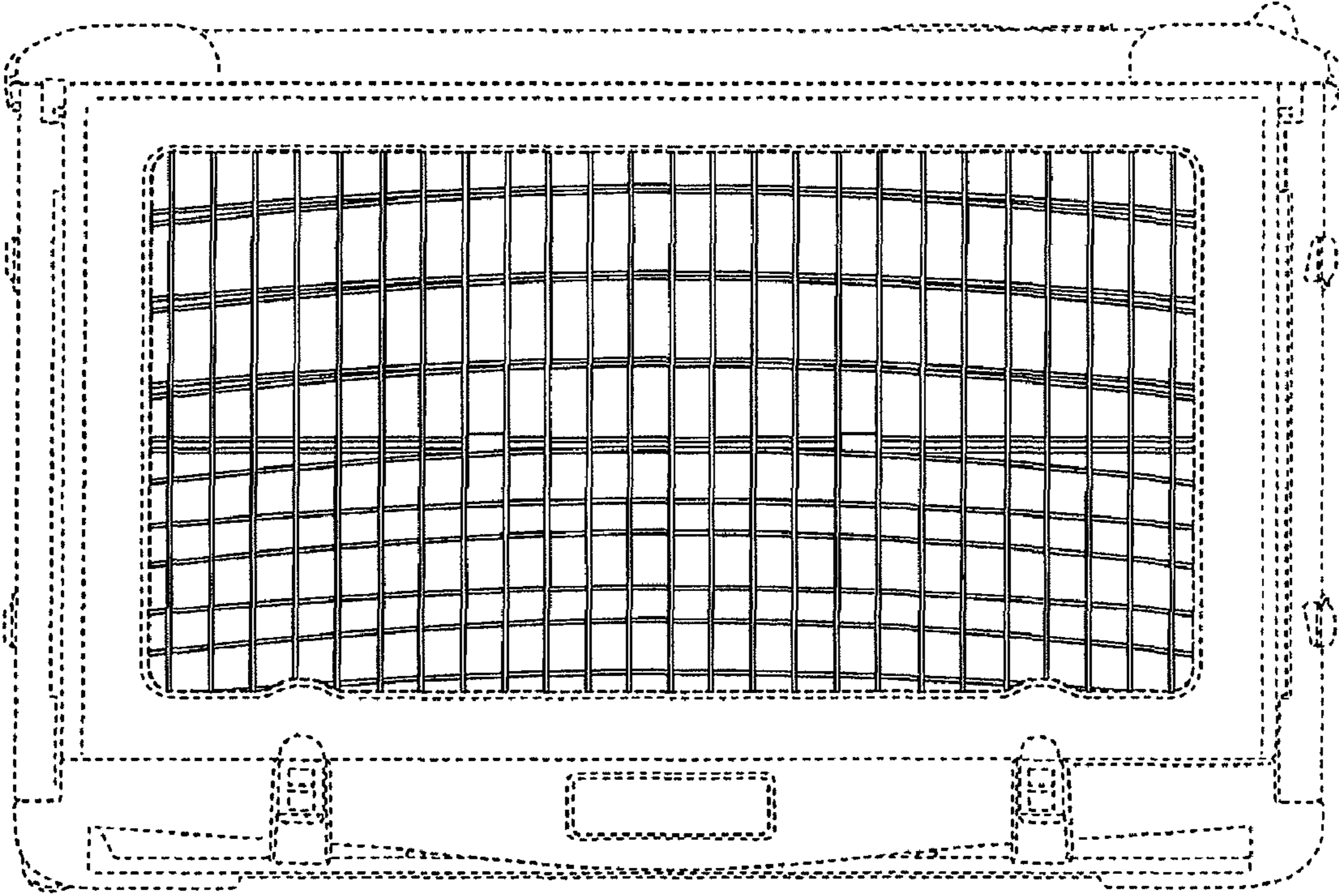


Fig. 3

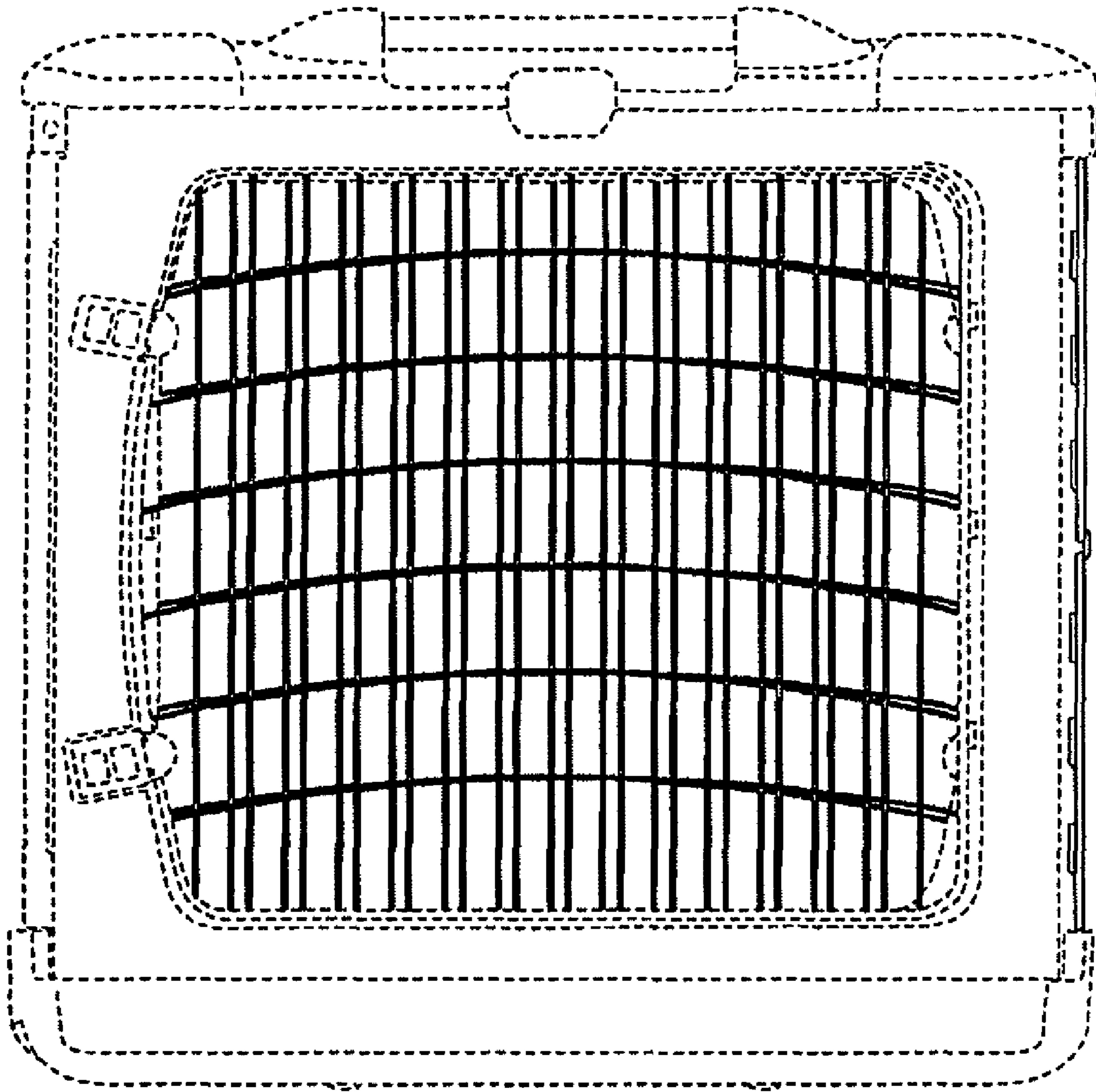


Fig. 4

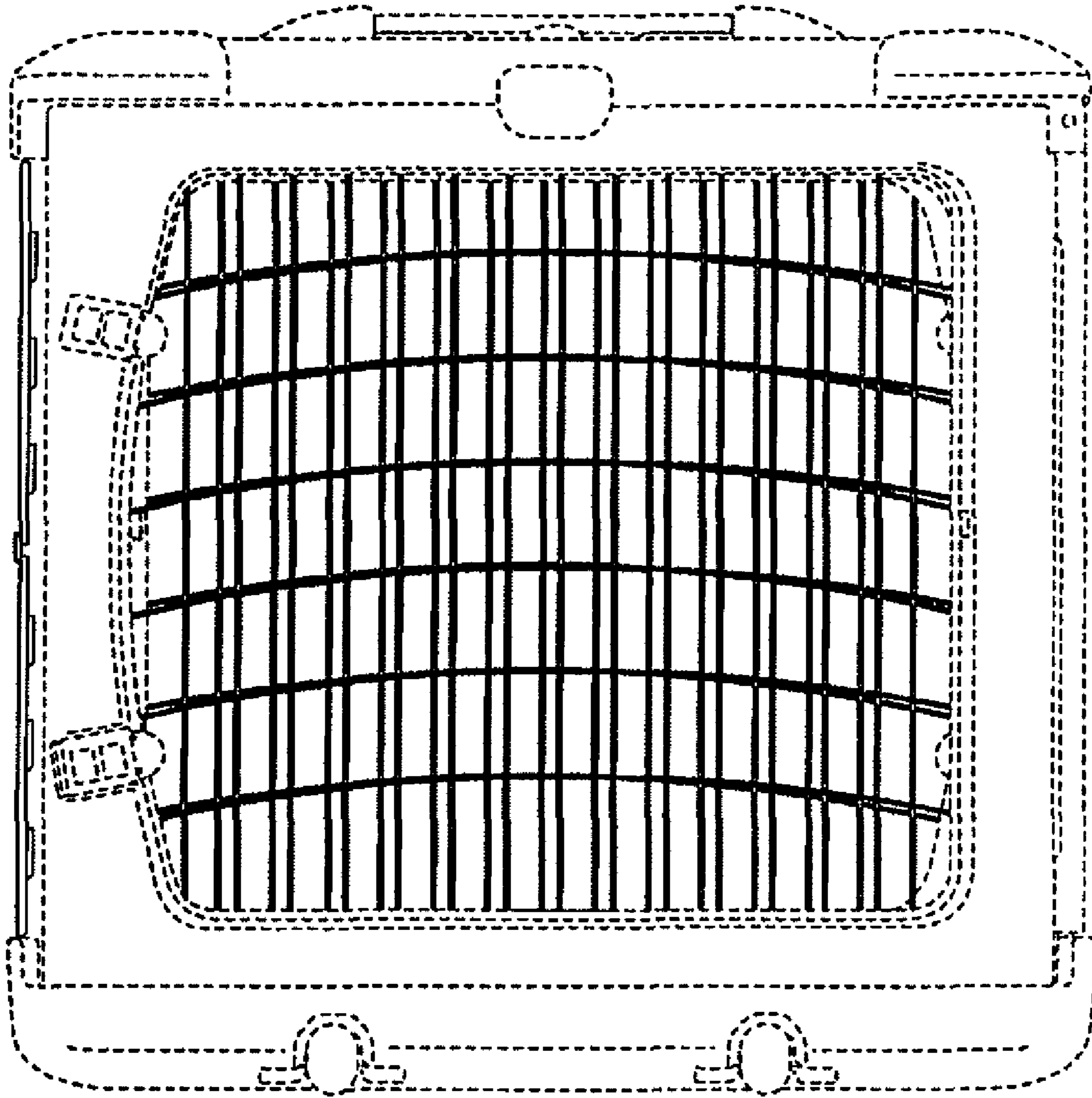


Fig. 5

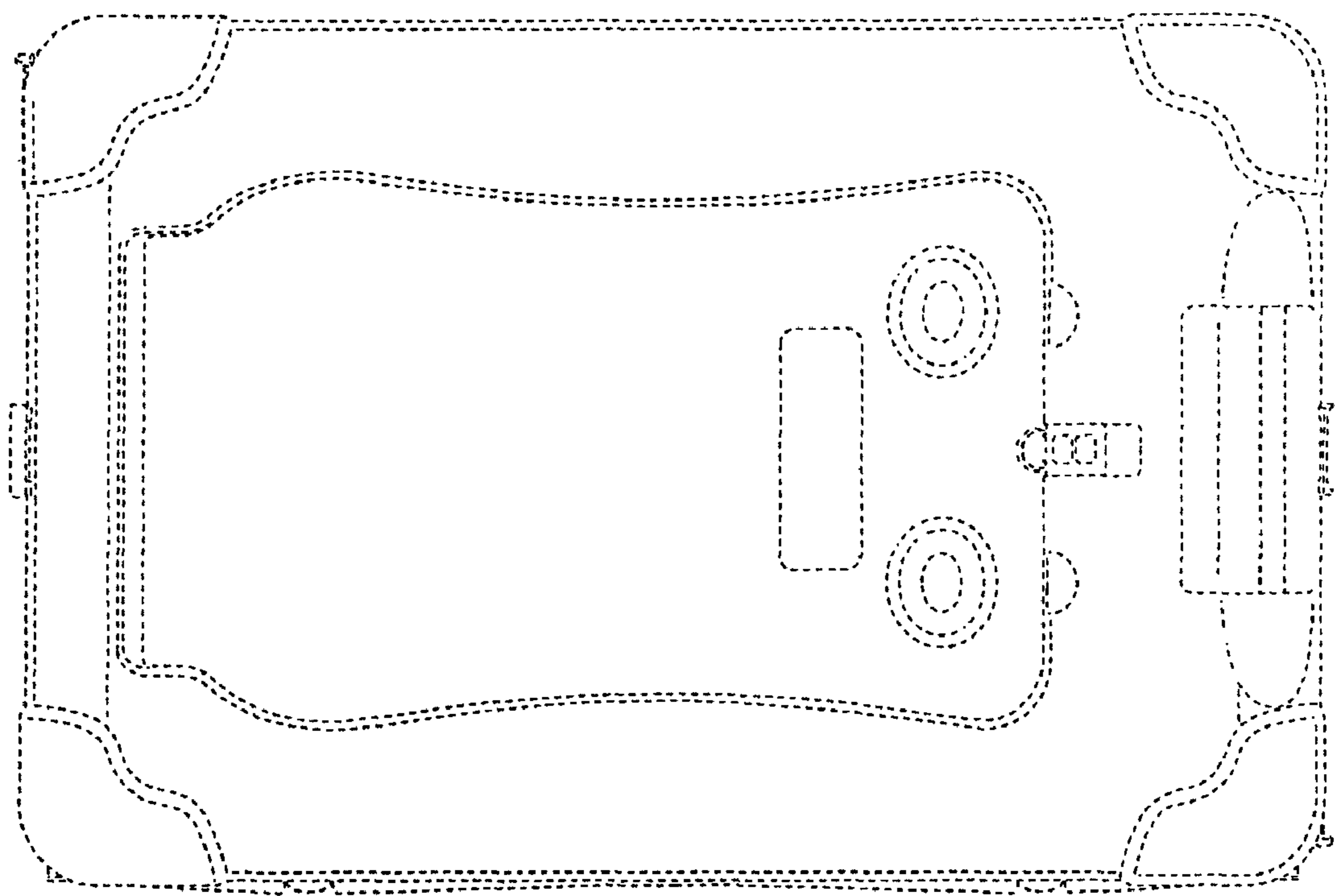


Fig. 6

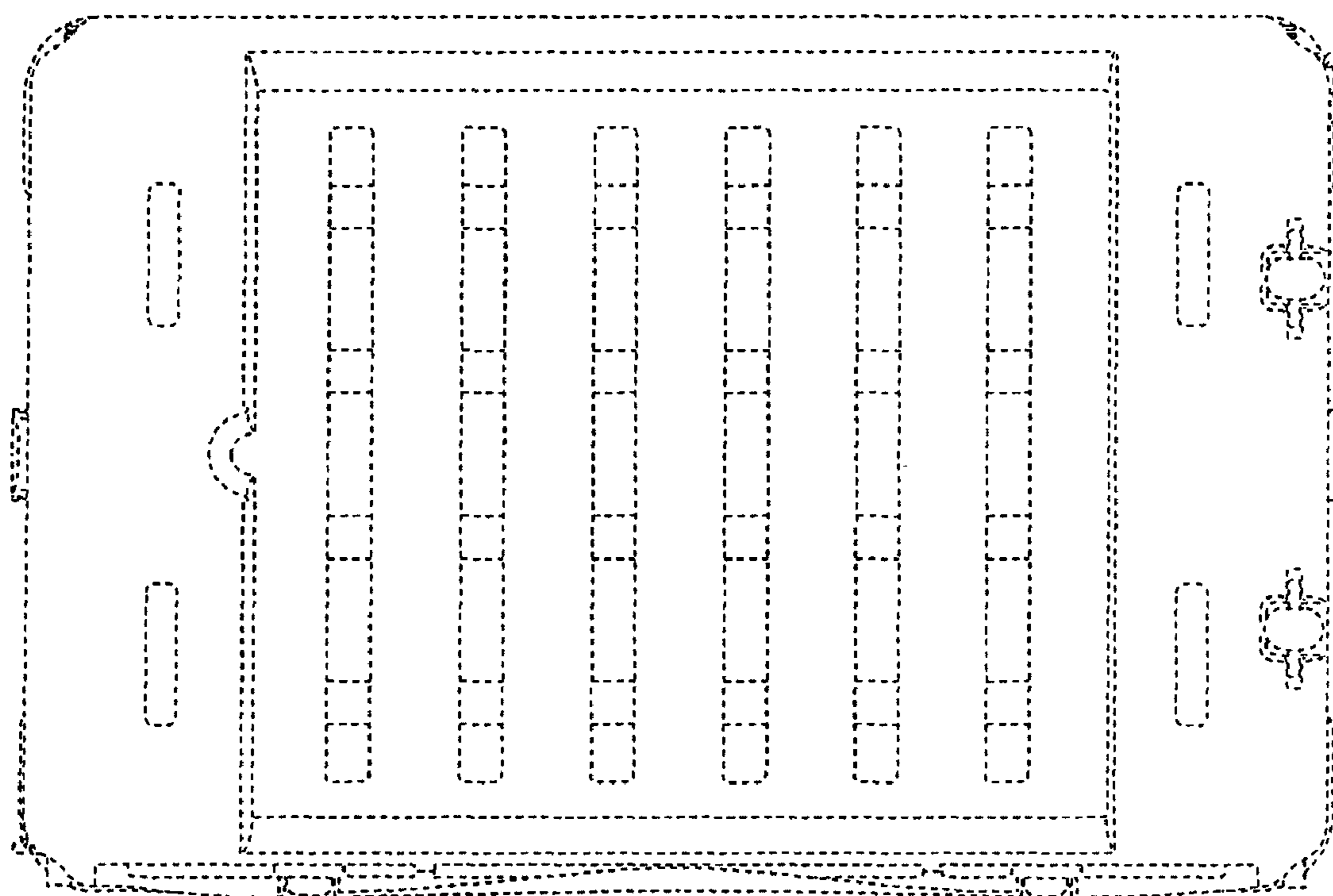


Fig. 7