



US00D622008S

(12) **United States Design Patent**
Duncan

(10) **Patent No.:** **US D622,008 S**

(45) **Date of Patent:** **** Aug. 17, 2010**

(54) **CAT BOX COVER**

(76) Inventor: **Katherine R. Duncan**, 4654 Shipman
Cutoff Rd., Bunker Hill, IL (US) 62014

(**) Term: **14 Years**

(21) Appl. No.: **29/304,991**

(22) Filed: **Mar. 11, 2008**

(51) **LOC (9) Cl.** **30-02**

(52) **U.S. Cl.** **D30/108**

(58) **Field of Classification Search** D30/108-112,
D30/118-120, 125, 161; 119/163, 165-170,
119/452, 474, 496-499, 500, 203
See application file for complete search history.

(56) **References Cited**

U.S. PATENT DOCUMENTS

3,016,042	A *	1/1962	Curn, Jr.	119/499
D228,558	S *	10/1973	Brickel	D30/161
3,793,989	A *	2/1974	Clark	119/165
D238,498	S *	1/1976	Barr	D30/108
D248,879	S *	8/1978	Hill	D30/112
D288,733	S *	3/1987	Welker	D30/108
4,803,952	A *	2/1989	Houser	119/499
D307,495	S *	4/1990	Logan, Jr.	D30/108
D327,143	S *	6/1992	Dickinson	D30/108
D334,634	S *	4/1993	Greitzer	D30/108
D353,029	S *	11/1994	Northrop et al.	D30/108
5,383,422	A *	1/1995	Morris	119/499

5,524,573	A *	6/1996	Hart	119/489
D473,352	S *	4/2003	Neves	D30/161
D519,685	S *	4/2006	Scarpaci et al.	D30/108

* cited by examiner

Primary Examiner—Robert M Spear
Assistant Examiner—Rashida C McCoy
(74) *Attorney, Agent, or Firm*—Grace J. Fishel

(57) **CLAIM**

The ornamental design for a cat box cover, as shown and described.

DESCRIPTION

FIG. 1 is a perspective view of a cat box cover showing my new design in use;

FIG. 2 is a front elevation thereof;

FIG. 3 is a right side elevation thereof, the left side elevation being a mirror image thereof;

FIG. 4 is a rear elevation thereof;

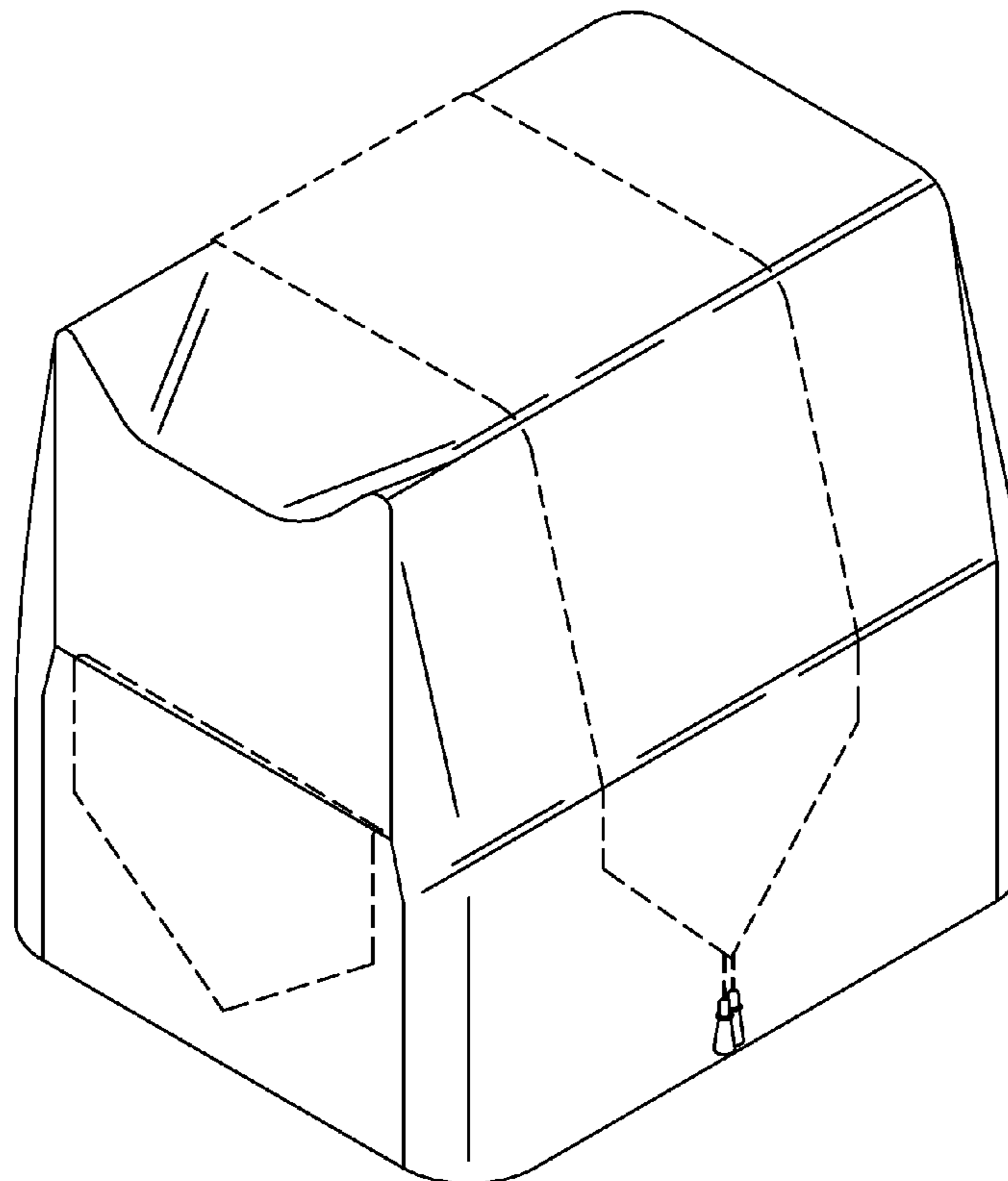
FIG. 5 is a top view thereof; and,

FIG. 6 is a bottom view thereof.

The runner with tassels and the scarf shown in broken lines form no part of the claimed design.

Portions of the design shown in broken lines form no part of the claimed design.

1 Claim, 3 Drawing Sheets



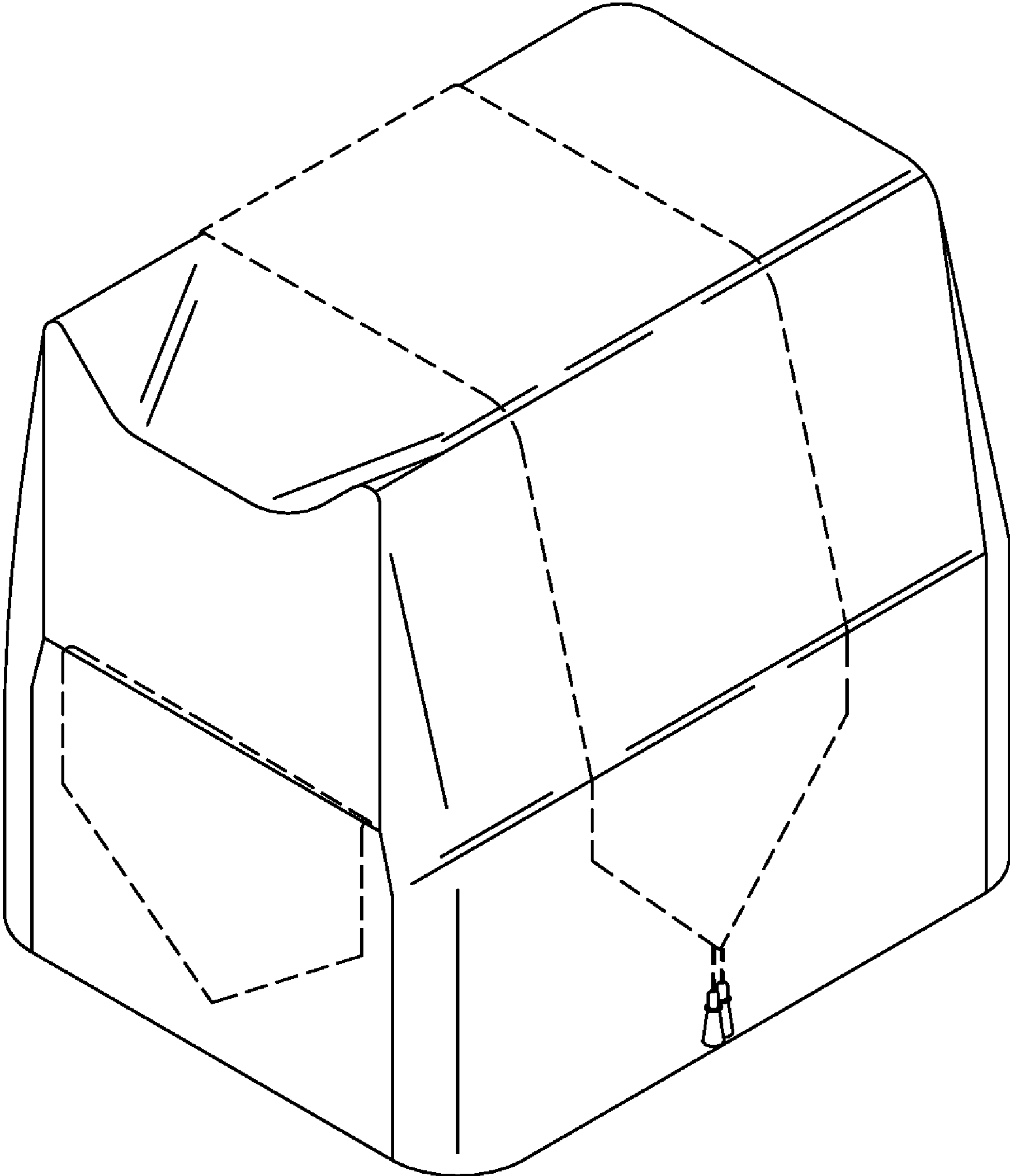


Fig. 1

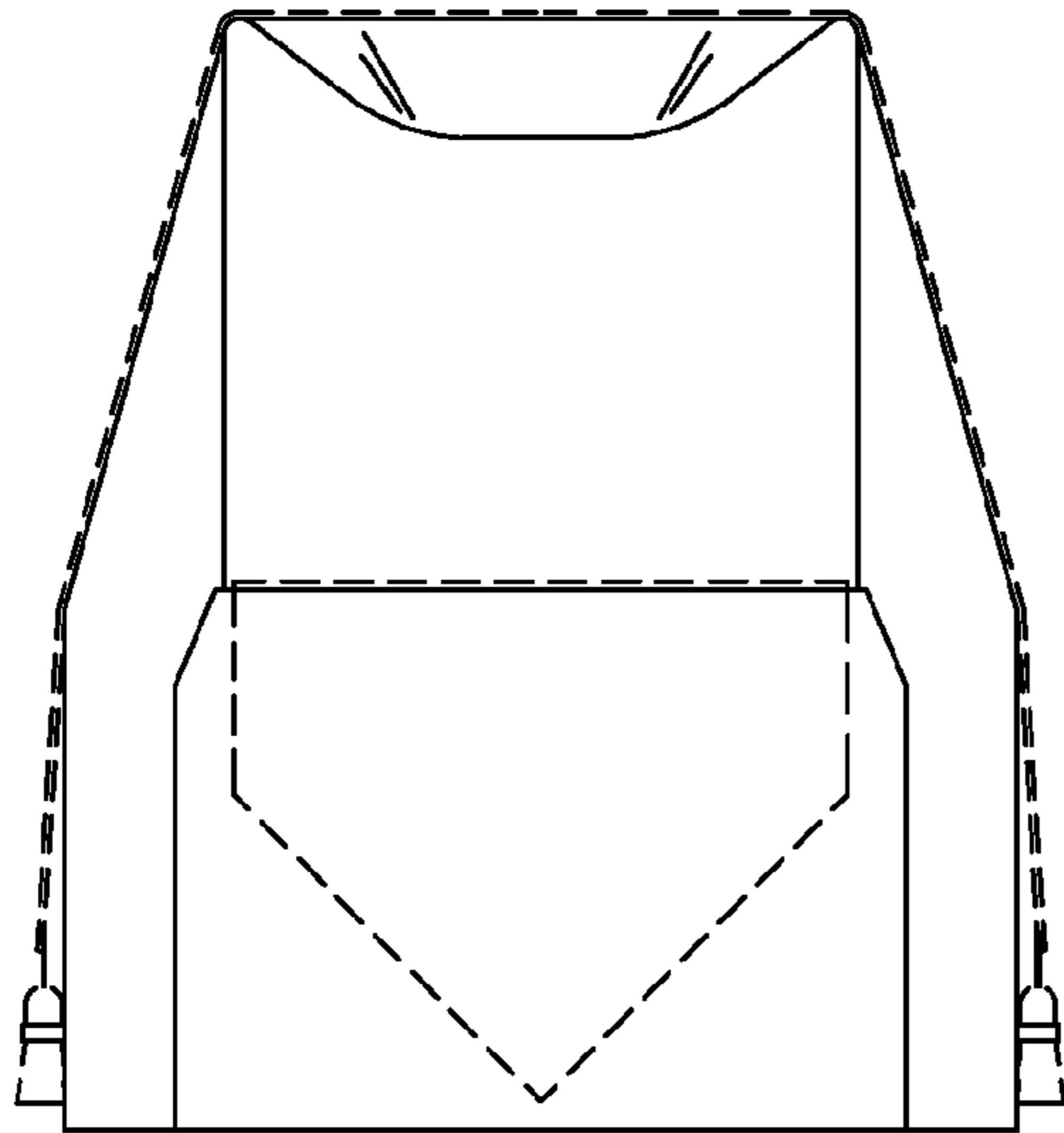


Fig. 2

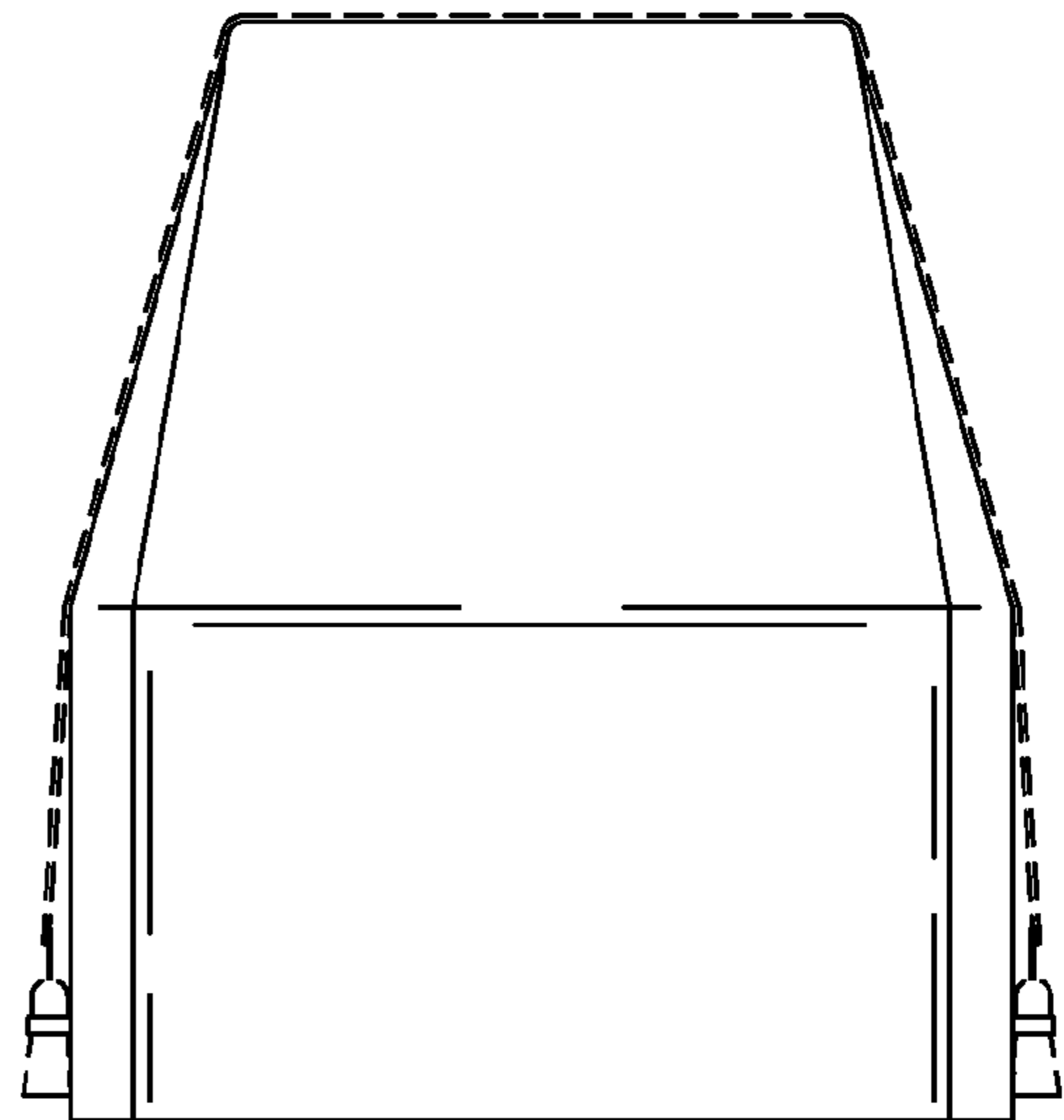


Fig. 4

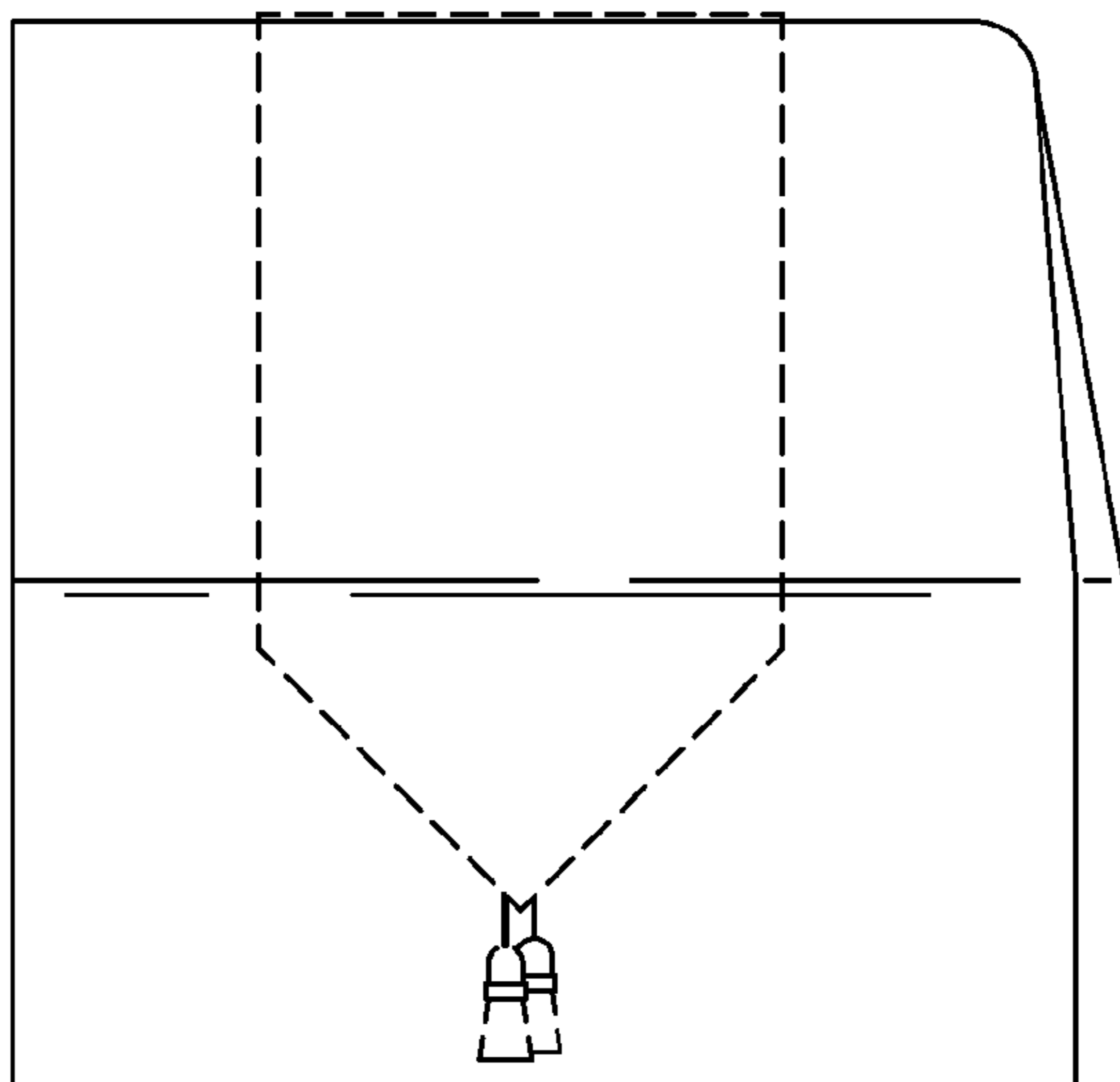


Fig. 3

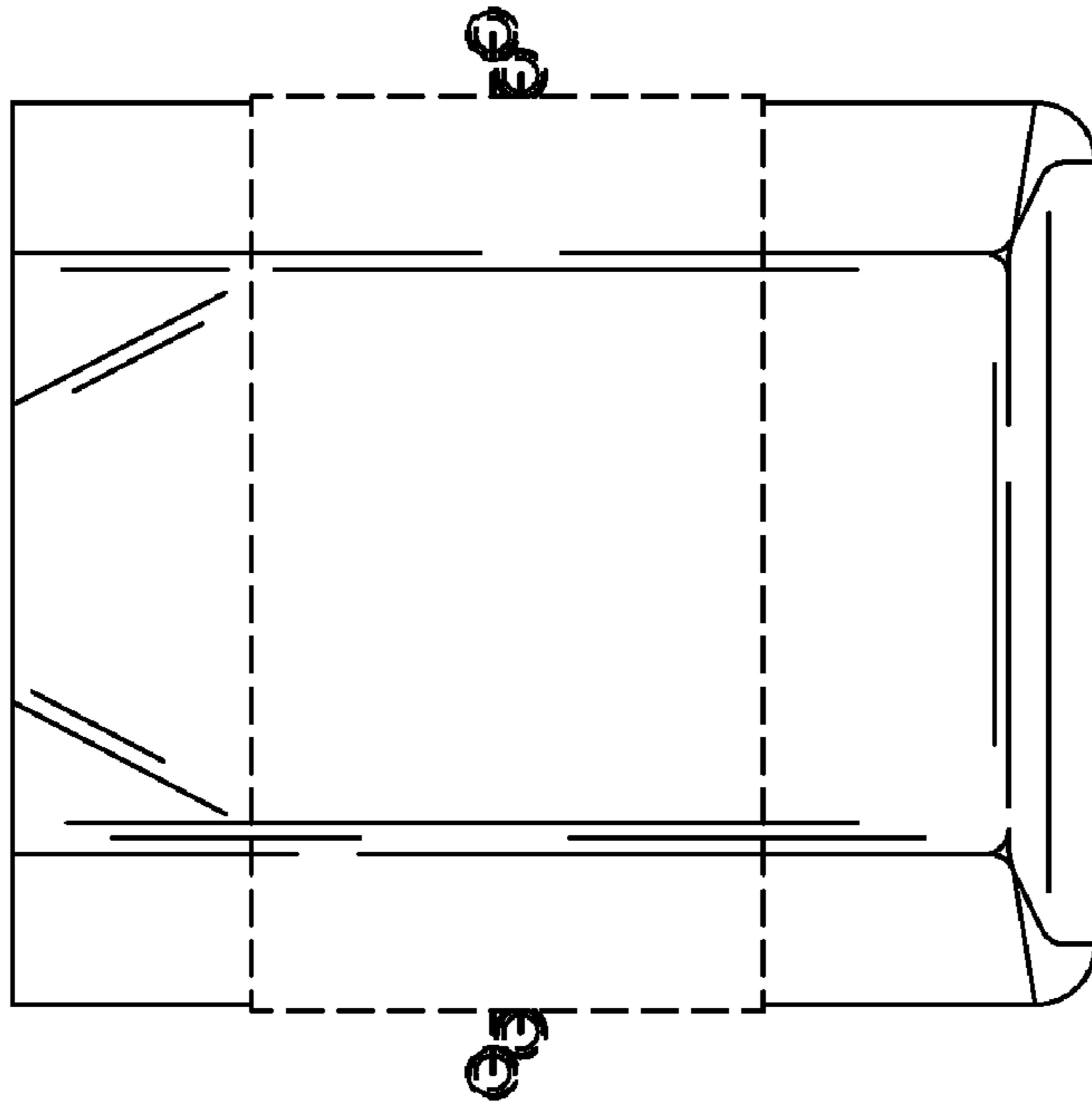


Fig. 5

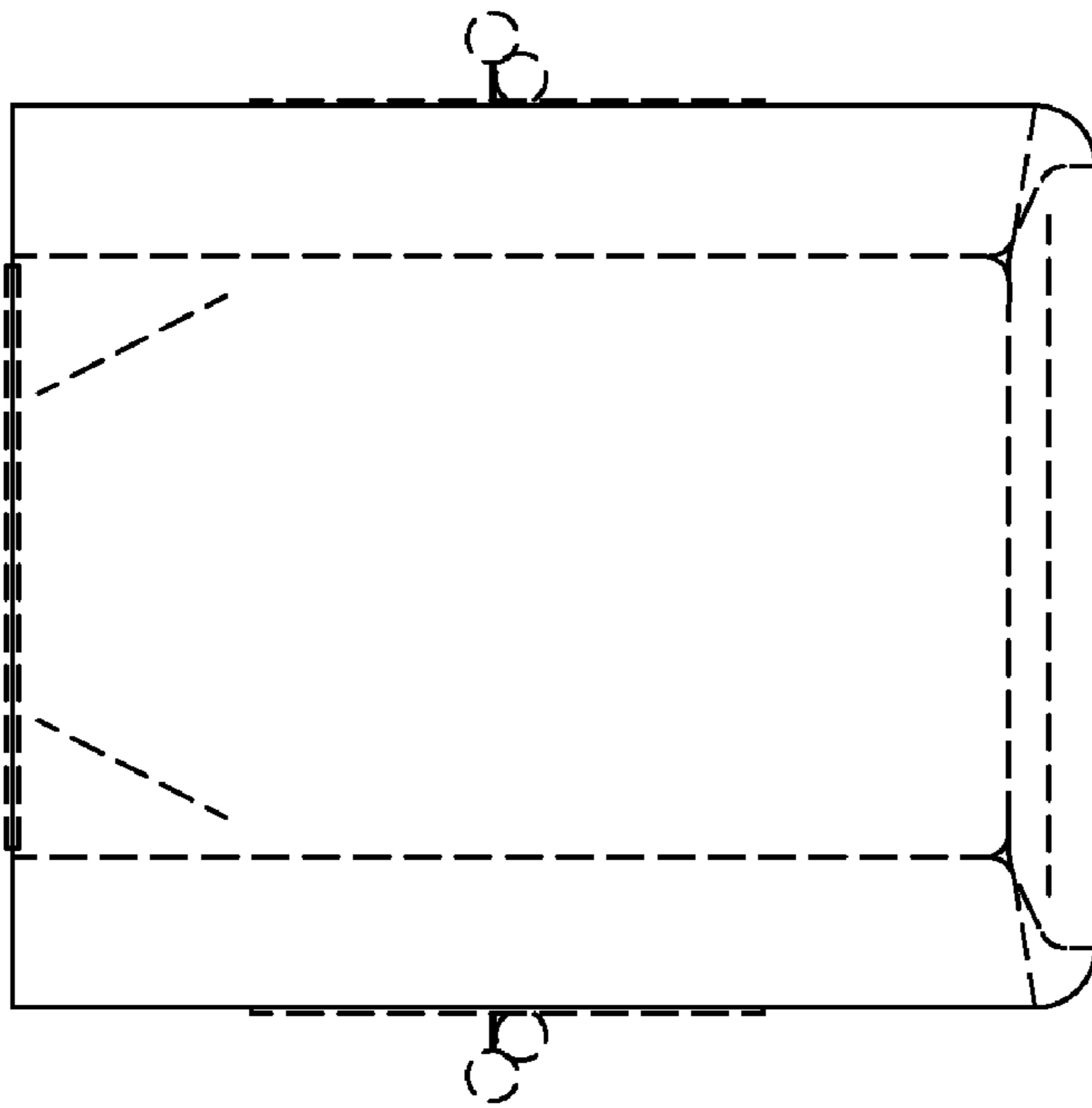


Fig. 6