



US00D622006S

(12) **United States Design Patent**  
**Copeland**

(10) **Patent No.:** **US D622,006 S**

(45) **Date of Patent:** **\*\* Aug. 17, 2010**

(54) **EAR GUARD**

(75) Inventor: **Steve A. Copeland**, Barrie (CA)

(73) Assignee: **Henson Company, Inc.**, Sinking Spring, PA (US)

(\*\*) Term: **14 Years**

(21) Appl. No.: **29/328,861**

(22) Filed: **Dec. 3, 2008**

(51) **LOC (9) Cl.** ..... **29-02**

(52) **U.S. Cl.** ..... **D29/112**

(58) **Field of Classification Search** ..... D29/102-112;  
2/410-414, 416, 422-425, 9-10; D24/110.1-110.4,  
D24/19.1, 173, 135, 189; 128/857-858,  
128/206.28, 207.11, 207.17

See application file for complete search history.

(56) **References Cited**

**U.S. PATENT DOCUMENTS**

|           |     |         |                |       |         |
|-----------|-----|---------|----------------|-------|---------|
| 4,713,843 | A * | 12/1987 | Duncan         | ..... | 2/209   |
| 4,872,219 | A * | 10/1989 | Duncan         | ..... | 2/209   |
| D400,311  | S * | 10/1998 | Chartrand      | ..... | D29/122 |
| 5,898,945 | A * | 5/1999  | Weiser         | ..... | 2/209   |
| 6,055,672 | A * | 5/2000  | Natvig         | ..... | 2/209   |
| D476,450  | S * | 6/2003  | Keen et al.    | ..... | D29/122 |
| D512,797  | S * | 12/2005 | Canavan et al. | ..... | D29/122 |

|              |      |         |                         |       |         |
|--------------|------|---------|-------------------------|-------|---------|
| D547,910     | S *  | 7/2007  | Purnell                 | ..... | D29/122 |
| D548,405     | S *  | 8/2007  | Purnell                 | ..... | D29/122 |
| D551,809     | S *  | 9/2007  | Purnell                 | ..... | D29/122 |
| D594,601     | S *  | 6/2009  | Briggs                  | ..... | D29/112 |
| 7,614,089    | B2 * | 11/2009 | Hillman-Schwartz et al. | ..    | 2/174   |
| 7,617,543    | B2 * | 11/2009 | LeGette et al.          | ..... | 2/209   |
| 2006/0143806 | A1 * | 7/2006  | Purnell                 | ..... | 2/425   |

\* cited by examiner

*Primary Examiner*—Elizabeth A Albert

*Assistant Examiner*—Kelley A Donnelly

(74) *Attorney, Agent, or Firm*—Sand & Sebolt

(57) **CLAIM**

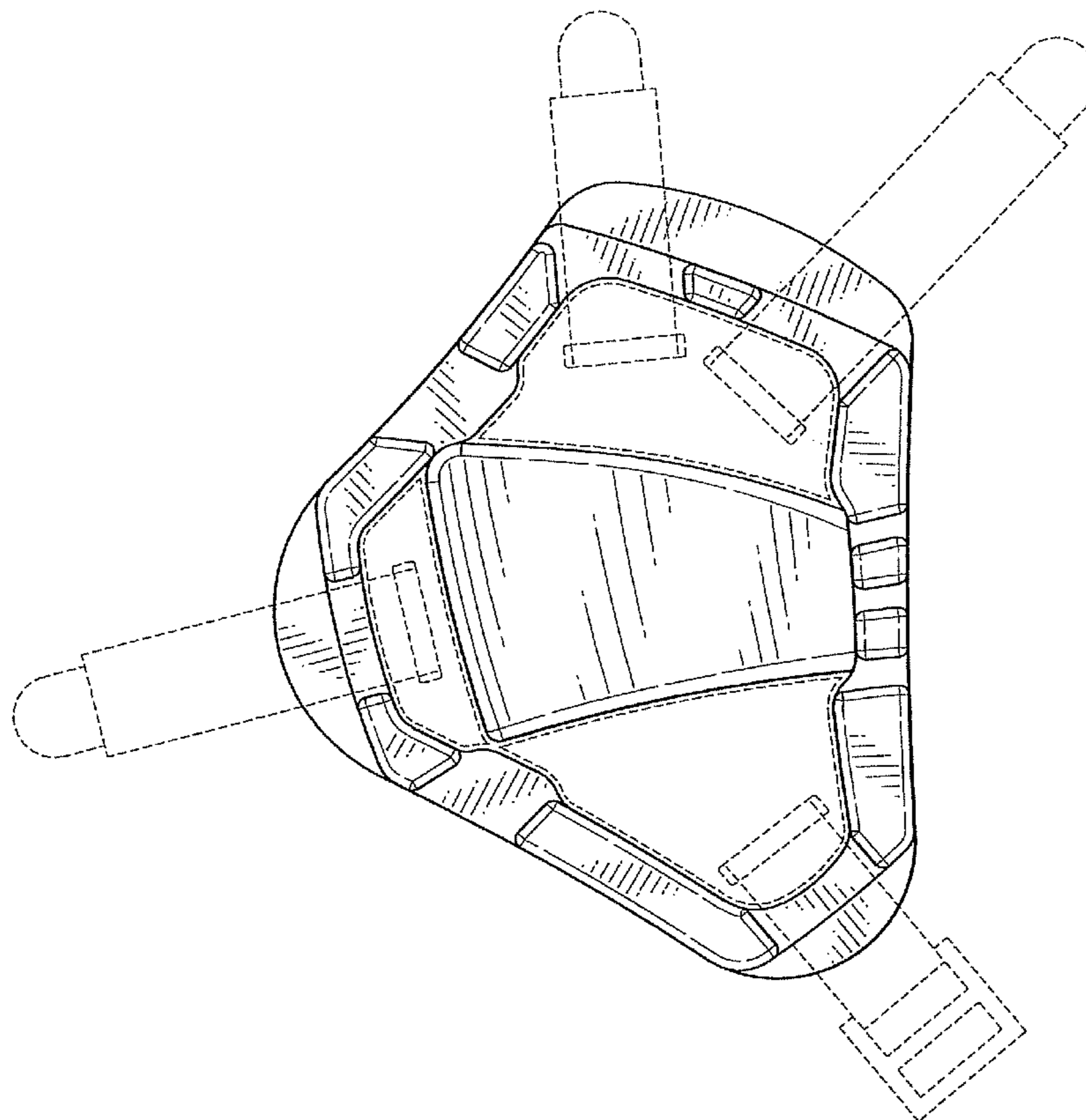
The ornamental design for an ear guard, as shown and described.

**DESCRIPTION**

FIG. 1 is a front view of an ear guard of the present invention; FIG. 2 is a bottom plan view of the ear guard; FIG. 3 is a top plan view of the ear guard; FIG. 4 is a rear plan view of the ear guard; FIG. 5 is a right side plan view of the ear guard; and, FIG. 6 is a left side plan view of the ear guard.

The broken lines are for environmental purposes only and form no part of the claimed design.

**1 Claim, 2 Drawing Sheets**



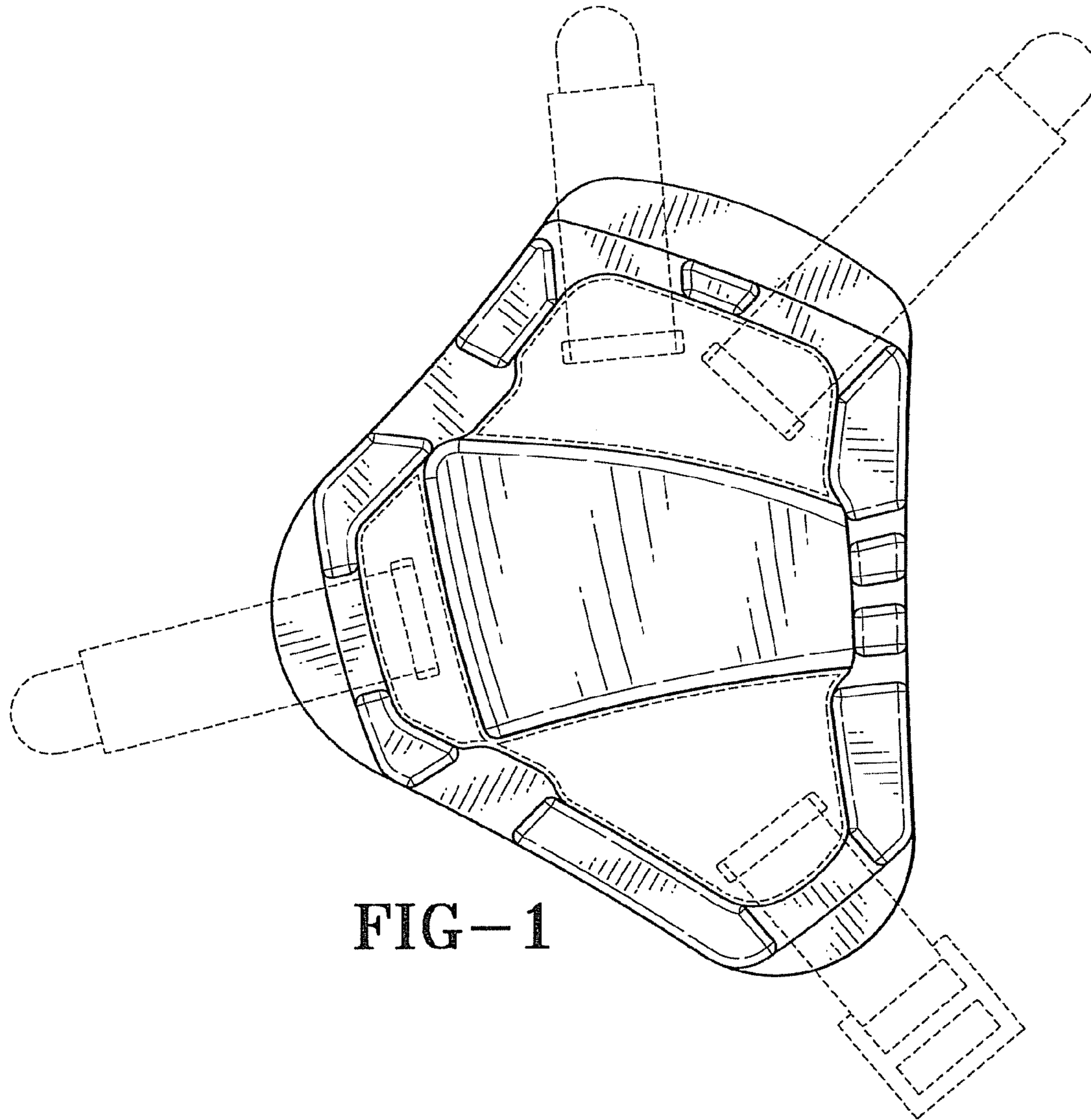


FIG-1

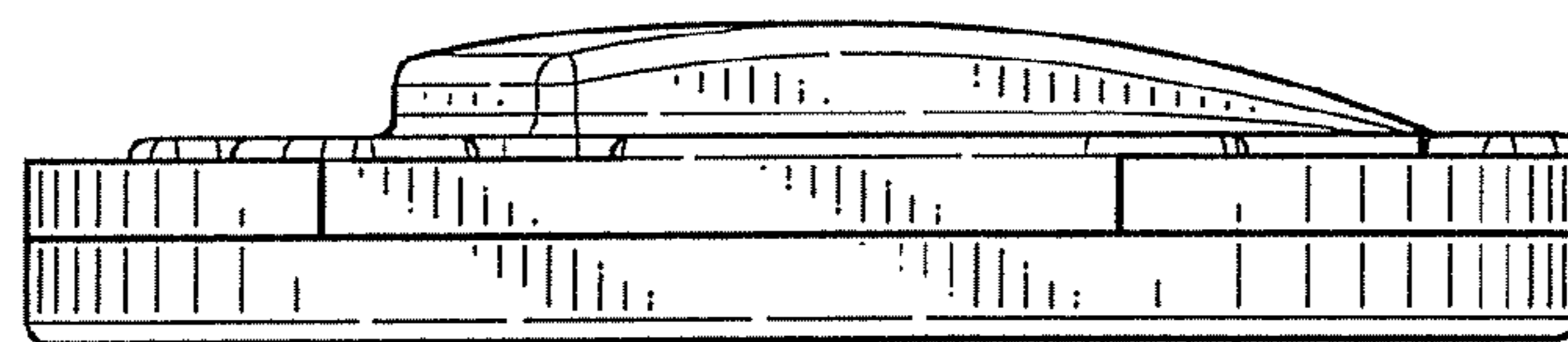


FIG-2

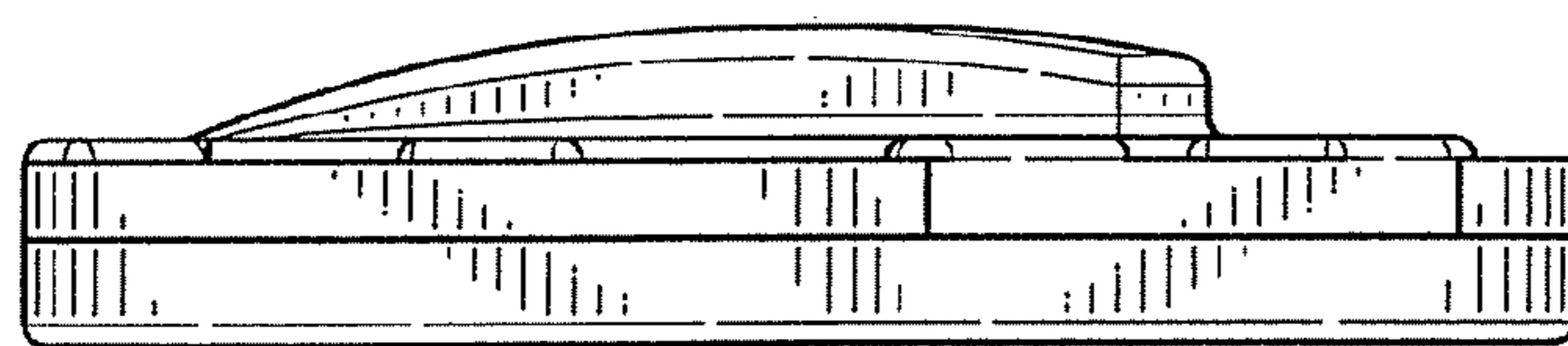


FIG-3

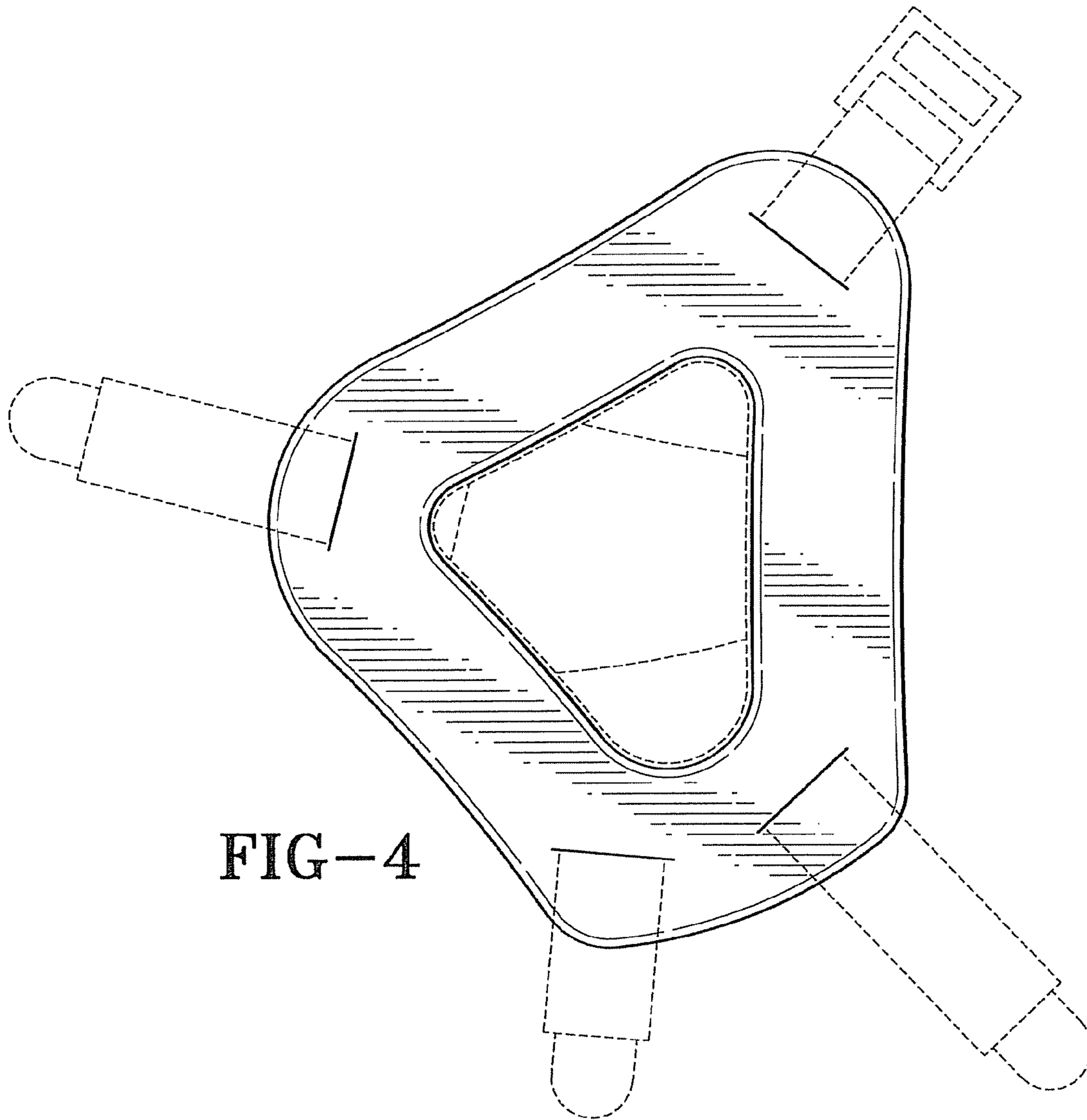


FIG-4

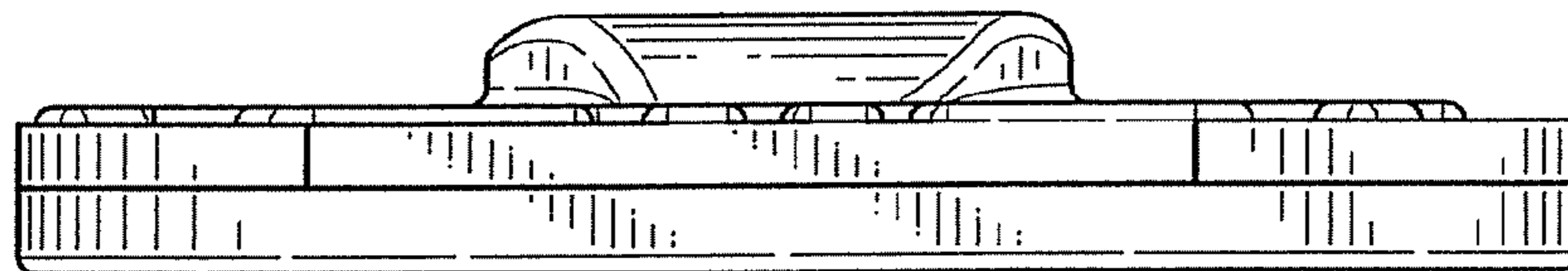


FIG-5

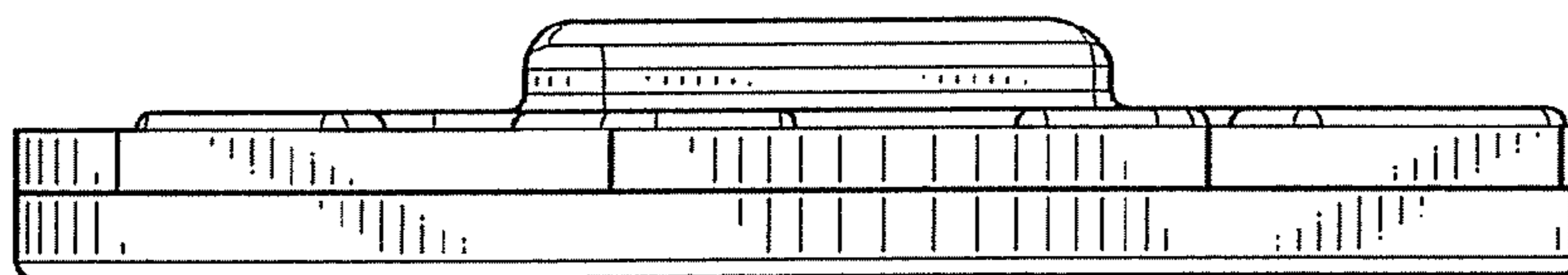


FIG-6