



US00D622001S

(12) **United States Design Patent**  
**Zabala**

(10) **Patent No.:** **US D622,001 S**

(45) **Date of Patent:** **\*\* Aug. 17, 2010**

(54) **HAIR DRYER DIFFUSER**

(75) Inventor: **Javier Zabala**, Vitoria (ES)

(73) Assignee: **Kenford Industrial Co. Ltd.**, Hong Kong (HK)

(\*\*) Term: **14 Years**

(21) Appl. No.: **29/354,459**

(22) Filed: **Jan. 25, 2010**

(51) **LOC (9) Cl.** ..... **28-03**

(52) **U.S. Cl.** ..... **D28/18**

(58) **Field of Classification Search** ..... D28/12-19;  
34/96-101; 392/380-385; 219/222

See application file for complete search history.

(56) **References Cited**

**U.S. PATENT DOCUMENTS**

|               |        |              |       |        |
|---------------|--------|--------------|-------|--------|
| D265,597 S *  | 7/1982 | Forsberg     | ..... | D28/18 |
| D265,598 S *  | 7/1982 | Radatz       | ..... | D28/18 |
| D308,118 S *  | 5/1990 | Brill        | ..... | D28/18 |
| 5,317,815 A * | 6/1994 | Hwang        | ..... | 34/97  |
| D349,585 S *  | 8/1994 | Rizzuto, Jr. | ..... | D28/18 |
| D393,926 S *  | 4/1998 | Kling        | ..... | D28/18 |
| D411,646 S *  | 6/1999 | Muller       | ..... | D28/18 |

|              |         |                  |       |        |
|--------------|---------|------------------|-------|--------|
| D432,717 S * | 10/2000 | Micinilio et al. | ..... | D28/13 |
| D462,141 S * | 8/2002  | Carlucci et al.  | ..... | D28/18 |
| D467,035 S * | 12/2002 | Carlucci et al.  | ..... | D28/18 |

\* cited by examiner

*Primary Examiner*—Janice E Seeger

*Assistant Examiner*—Zenia I Bennett

(74) *Attorney, Agent, or Firm*—K&L Gates LLP

(57) **CLAIM**

The ornamental design for a hair dryer diffuser, as shown and described.

**DESCRIPTION**

FIG. 1 is a perspective front view of an embodiment of a hair dryer accessory;

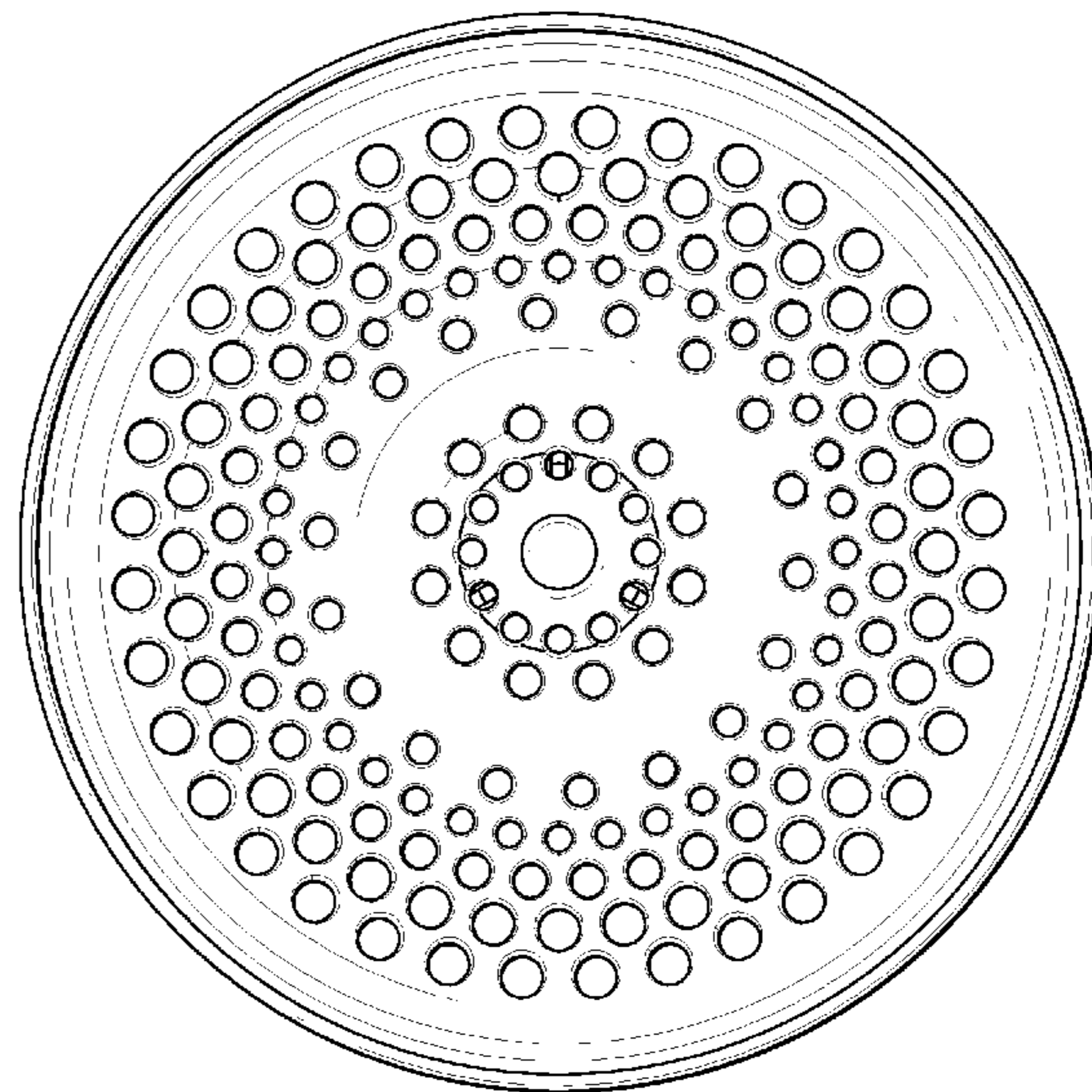
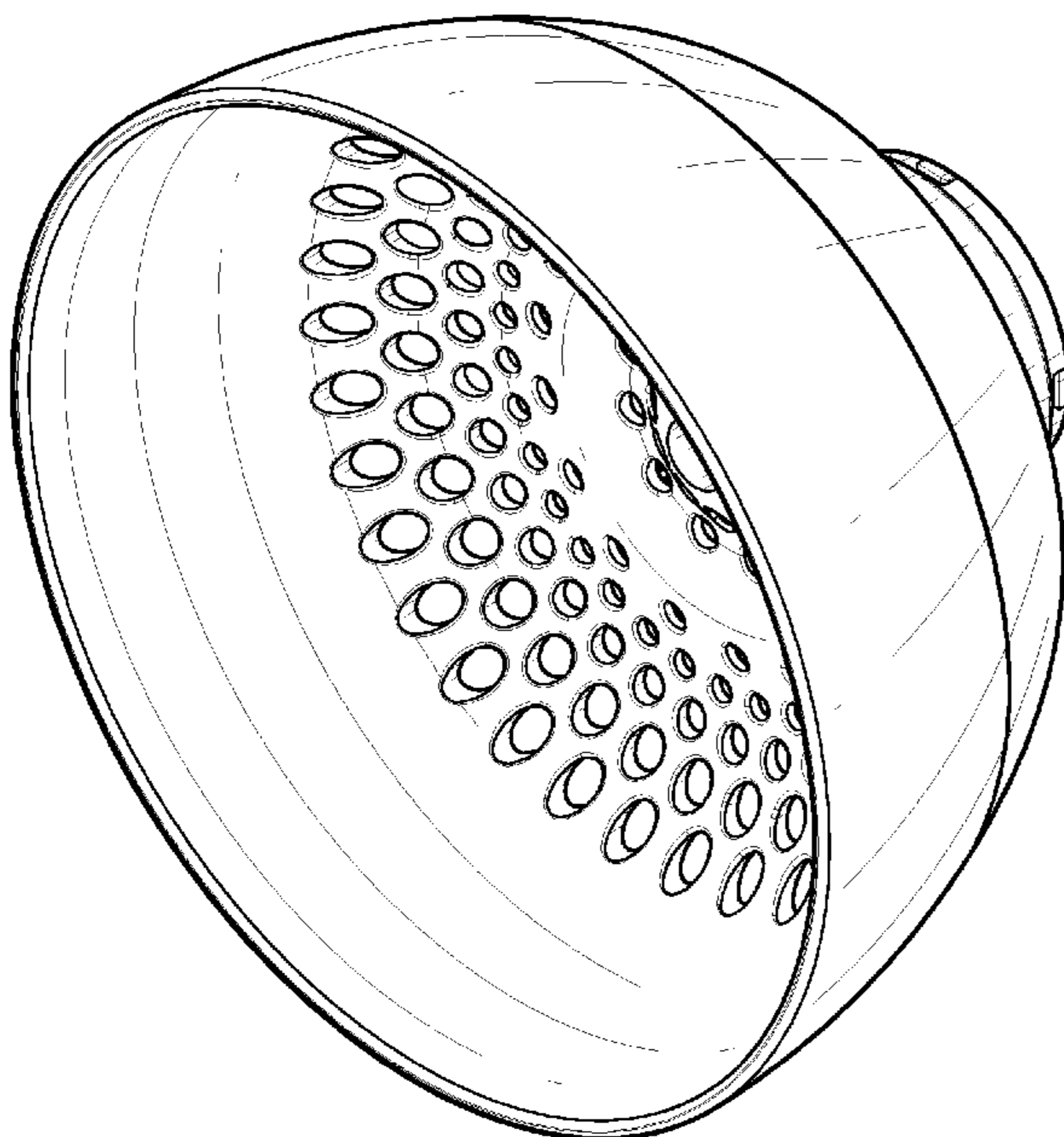
FIG. 2 is a bottom view of the hair dryer accessory shown in FIG. 1;

FIG. 3 is a side view of the hair dryer diffuser shown in FIG. 1, the view from each side being the same;

FIG. 4 is a top view of the hair dryer accessory shown in FIG. 1; and,

FIG. 5 is a perspective rear view of the hair dryer accessory shown in FIG. 1.

**1 Claim, 3 Drawing Sheets**



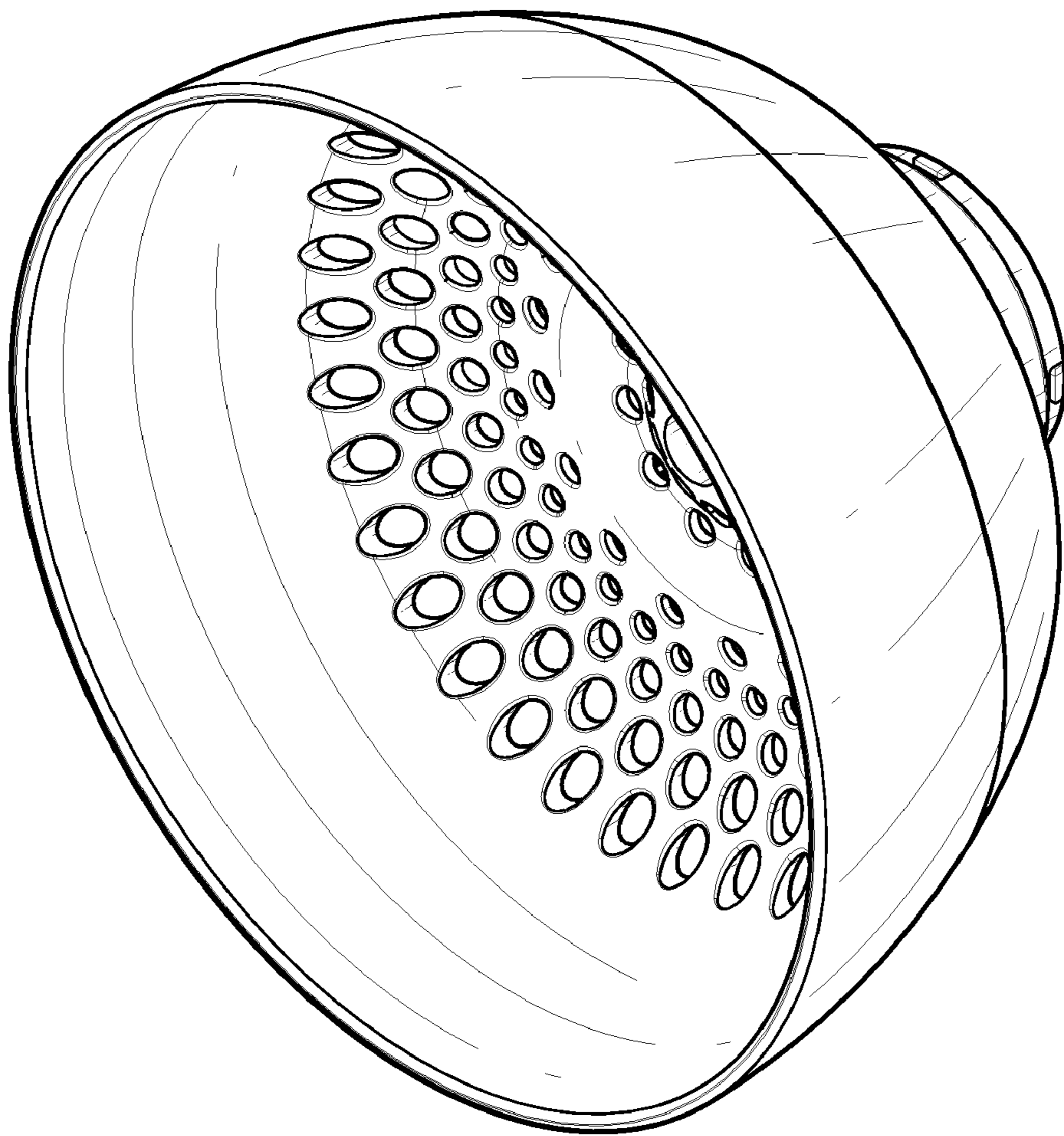


FIG. 1

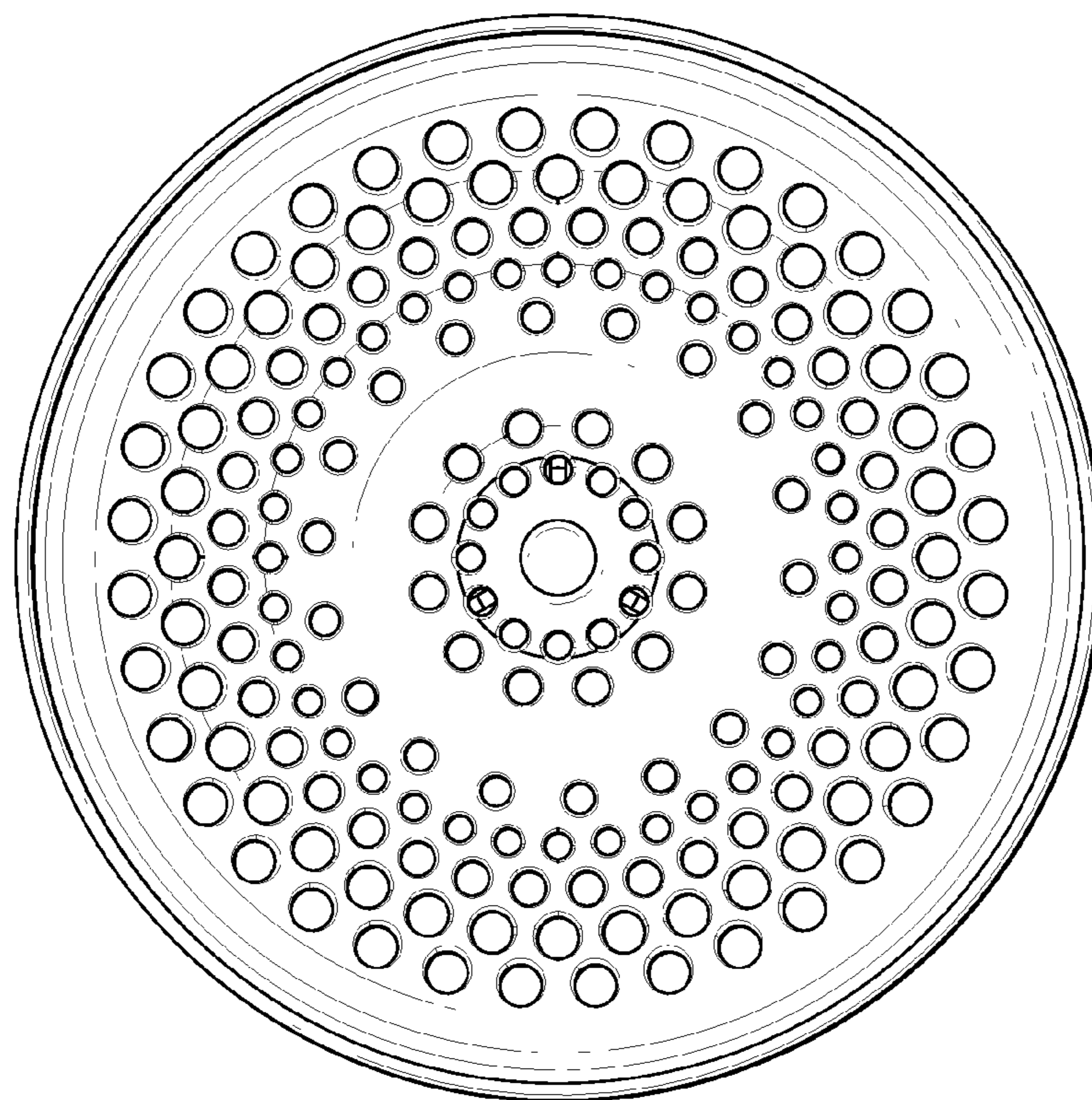


FIG. 2

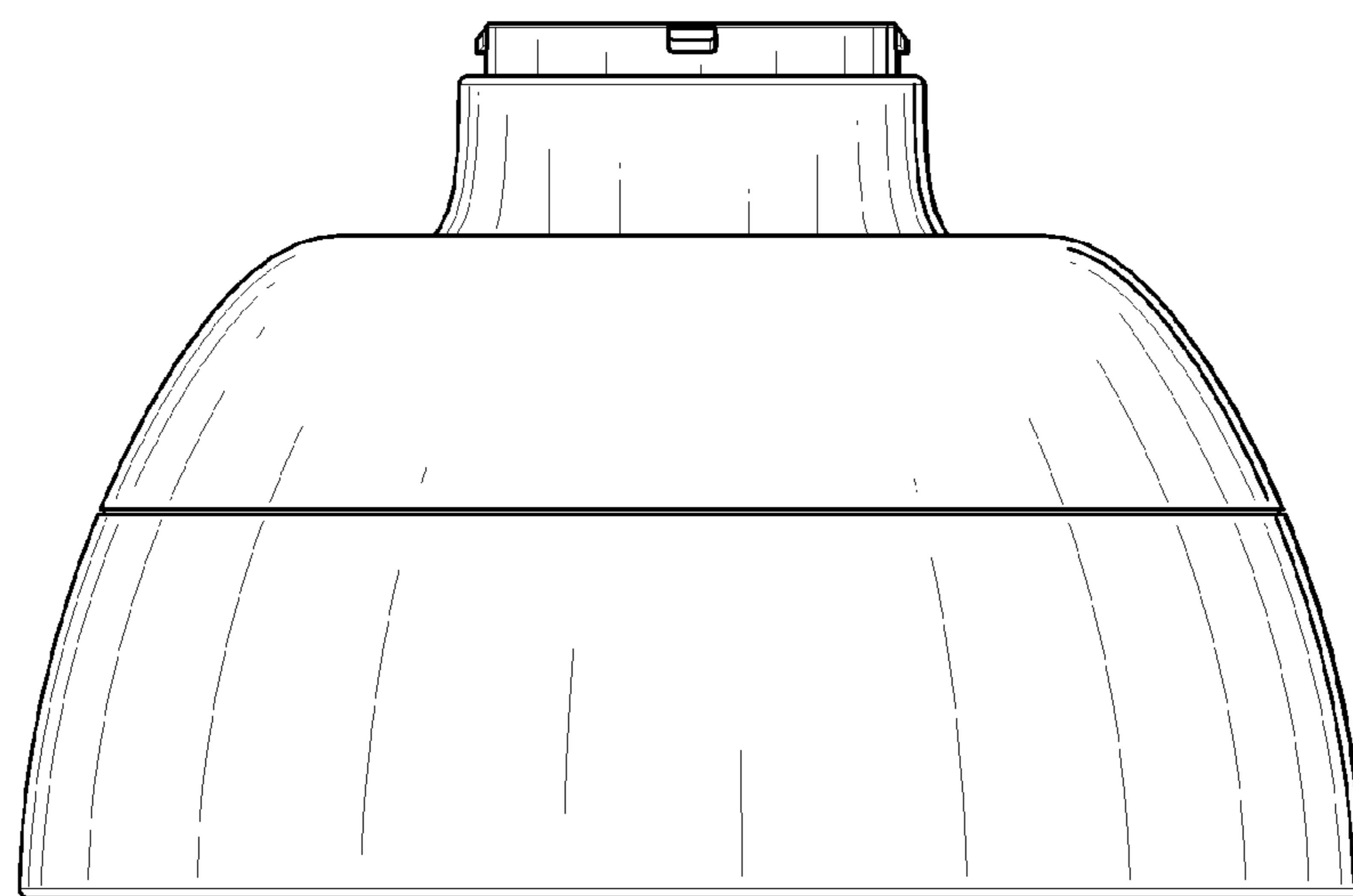


FIG. 3

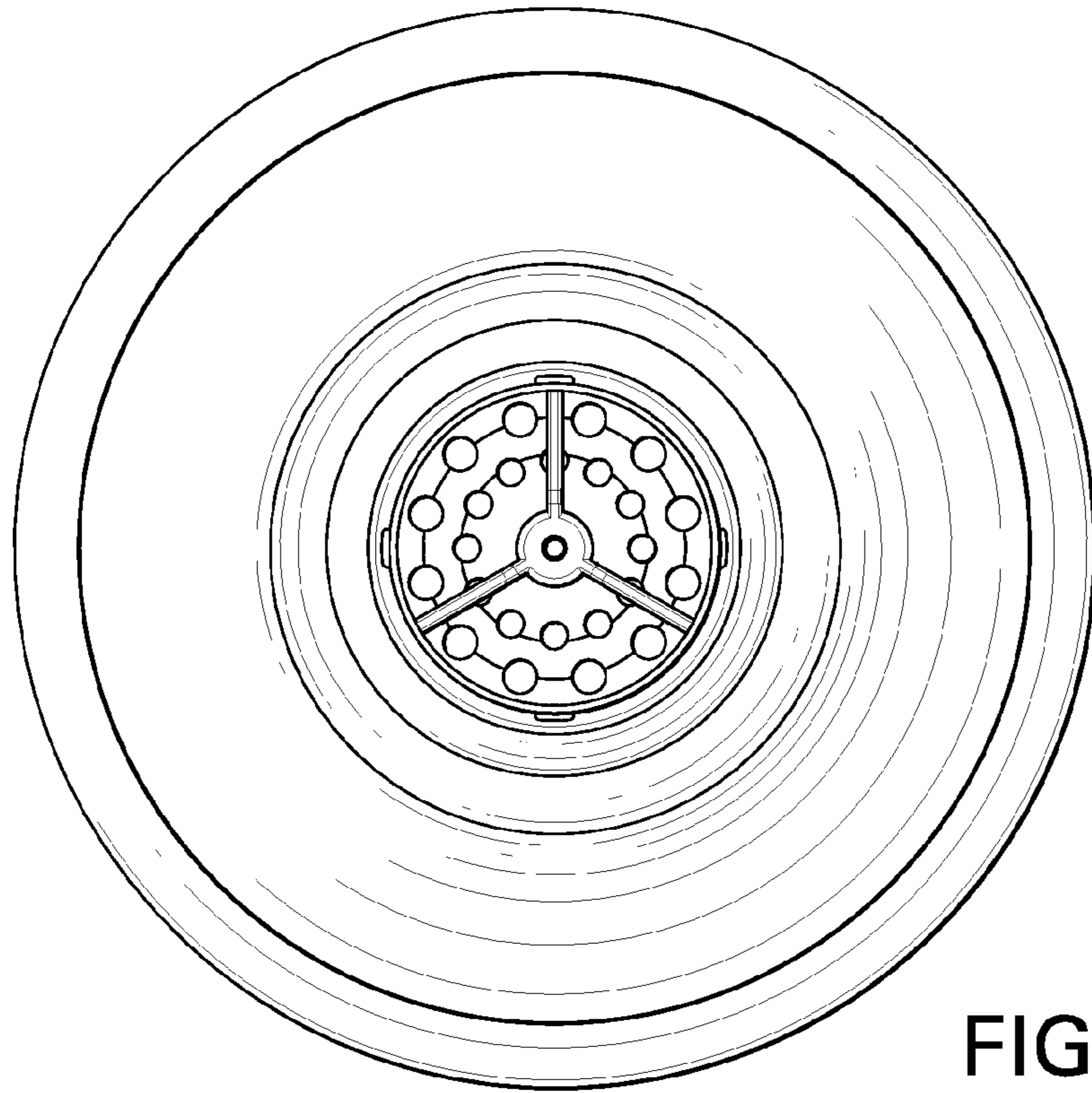


FIG. 4

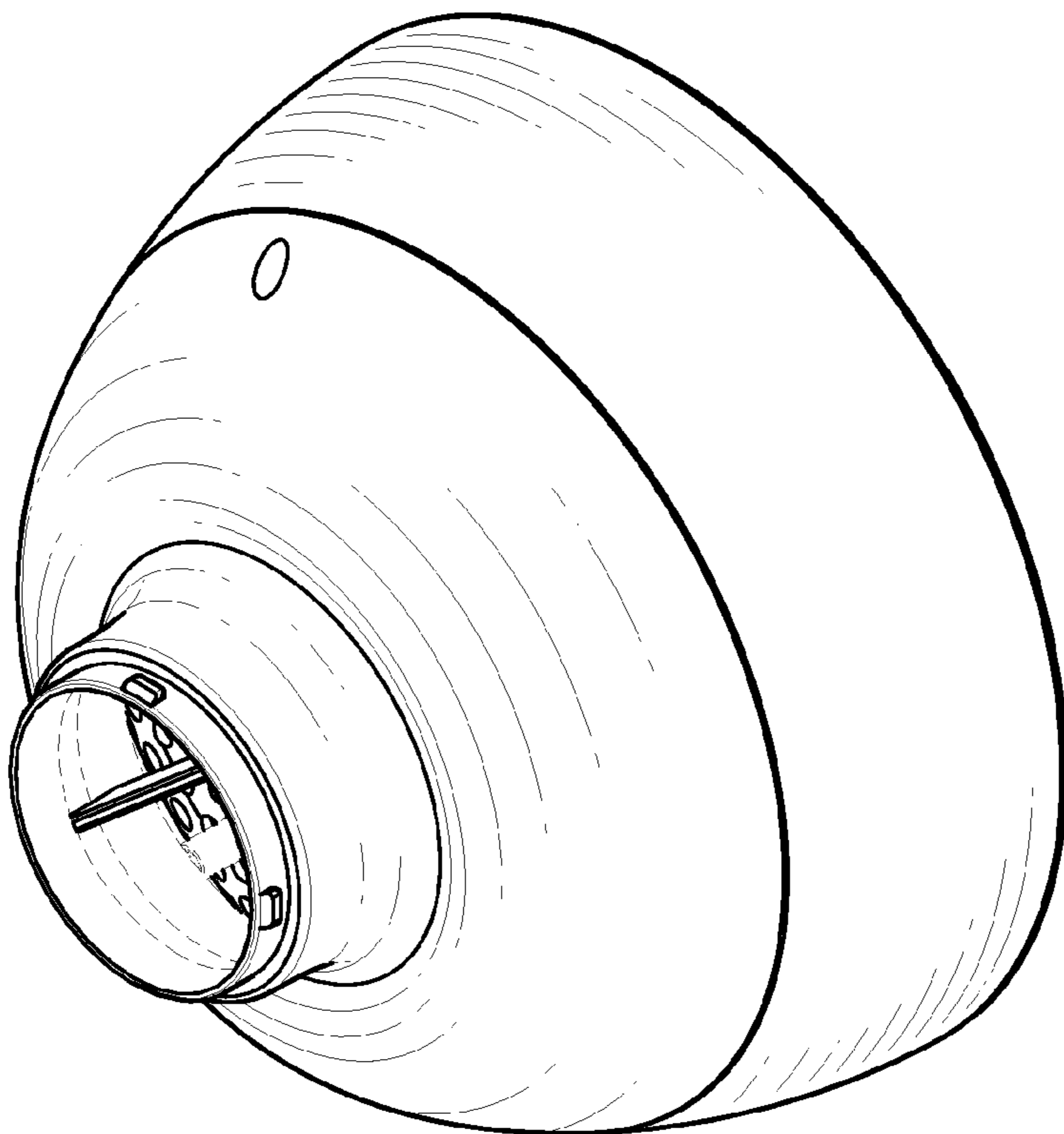


FIG. 5