



US00D621998S

(12) **United States Design Patent**
Leeds et al.

(10) **Patent No.:** **US D621,998 S**

(45) **Date of Patent:** **** Aug. 17, 2010**

(54) **CIGARETTE URN**
(75) Inventors: **Richard B. Leeds**, Cold Spring Harbor,
NY (US); **Mark A. Goldberg**, Lido
Beach, NY (US)

(73) Assignee: **Global Equipment Company Inc.**, Port
Washington, NY (US)

(**) Term: **14 Years**

(21) Appl. No.: **29/359,651**

(22) Filed: **Apr. 14, 2010**

Related U.S. Application Data

(63) Continuation of application No. 12/435,504, filed on
May 5, 2009.

(51) **LOC (9) Cl.** **27-03**
(52) **U.S. Cl.** **D27/123**
(58) **Field of Classification Search** 131/231,
131/235.1, 236, 237, 237.5, 238, 240.1–245,
131/256; D27/102–105, 122–124, 133–138;
220/576

See application file for complete search history.

(56) **References Cited**

U.S. PATENT DOCUMENTS

1,645,525	A	10/1927	Fleming	232/42.2
1,646,086	A	10/1927	Fleming	232/42.2
1,646,099	A	10/1927	Mitchell	232/42.2
1,662,171	A	3/1928	Savery	232/42.2
1,670,525	A	5/1928	Savery	232/42.2
1,735,671	A	11/1929	Bunker	232/42.2
1,747,356	A	2/1930	Fleming	232/42.2
1,802,938	A	4/1931	Burger	131/240.1
1,807,079	A	5/1931	Wilmanns	232/43.2
1,921,933	A	8/1933	Levenberg et al.	232/43.5
2,059,105	A	10/1936	Heisenfeldt	232/43.2
2,114,027	A	4/1938	McDonald	248/159
4,741,937	A	5/1988	Parker	428/36.4
6,186,355	B1	2/2001	Luedecke	220/576
D455,519	S *	4/2002	Luedecke et al.	D27/124
D467,682	S *	12/2002	Gillispie	D27/124

6,626,322	B1	9/2003	Carter et al.	220/576
6,776,167	B1	8/2004	Gillispie	131/231
D515,730	S *	2/2006	Weiss et al.	D27/123
7,055,714	B2	6/2006	Perelli et al.	220/576
D574,554	S *	8/2008	Neuhaus	D27/124
D585,595	S *	1/2009	Catron et al.	D27/124
2004/0060940	A1	4/2004	Carter et al.	220/576
2006/0096992	A1	5/2006	Weiss et al.	220/576
2006/0180590	A1	8/2006	Perelli et al.	220/576
2006/0196924	A1	9/2006	Cabalu	232/43.2

* cited by examiner

Primary Examiner—Jennifer Rivard

(74) *Attorney, Agent, or Firm*—Davidoff Malito & Hutcher
LLP

(57) **CLAIM**

The ornamental design for a cigarette urn, as shown and
described.

DESCRIPTION

FIG. 1 is a right side perspective view of a first embodiment of
a cigarette urn.

FIG. 2 is a front view thereof.

FIG. 3 is a right side view thereof.

FIG. 4 is a rear view thereof.

FIG. 5 is a left side view thereof.

FIG. 6 is a top view thereof.

FIG. 7 is a bottom view thereof.

FIG. 8 is a right side perspective view of a second embodi-
ment of a cigarette urn.

FIG. 9 is a front view thereof.

FIG. 10 is a right side view thereof.

FIG. 11 is a rear view thereof.

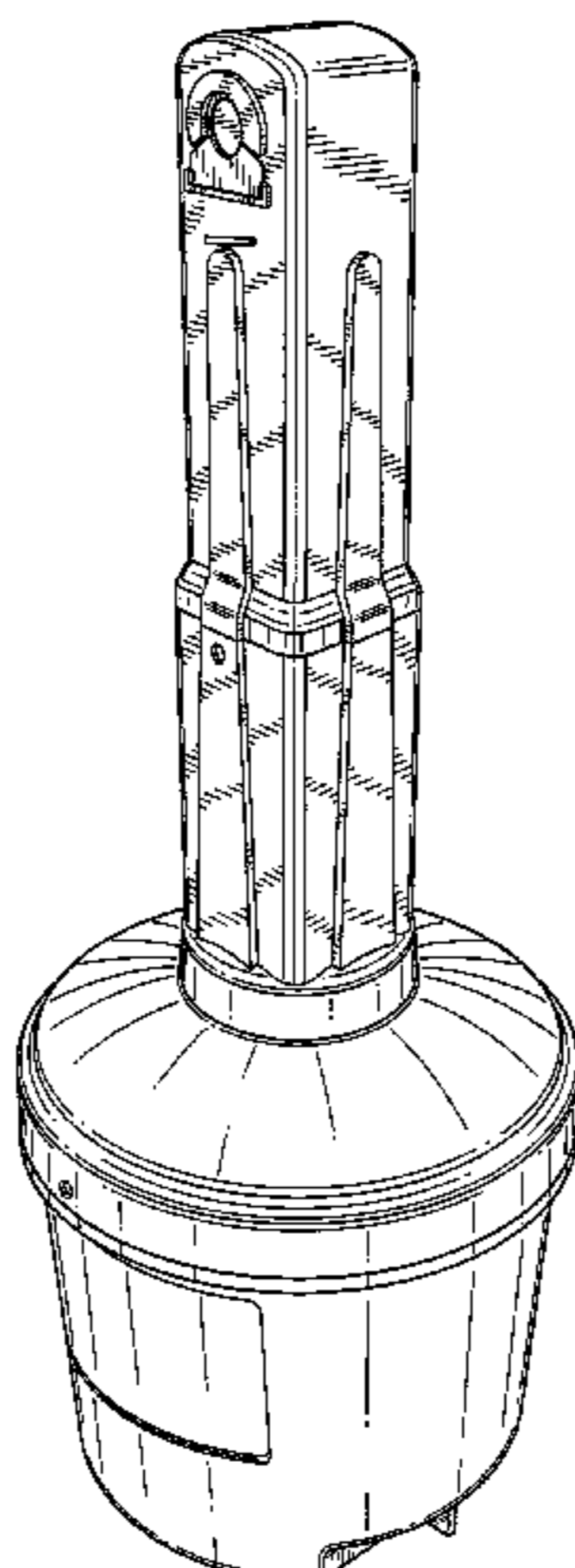
FIG. 12 is a left side view thereof.

FIG. 13 is a top view thereof; and,

FIG. 14 is a bottom view thereof.

The broken lines shown in the drawings illustrate portions of
the article and form no part of the claimed design.

1 Claim, 12 Drawing Sheets



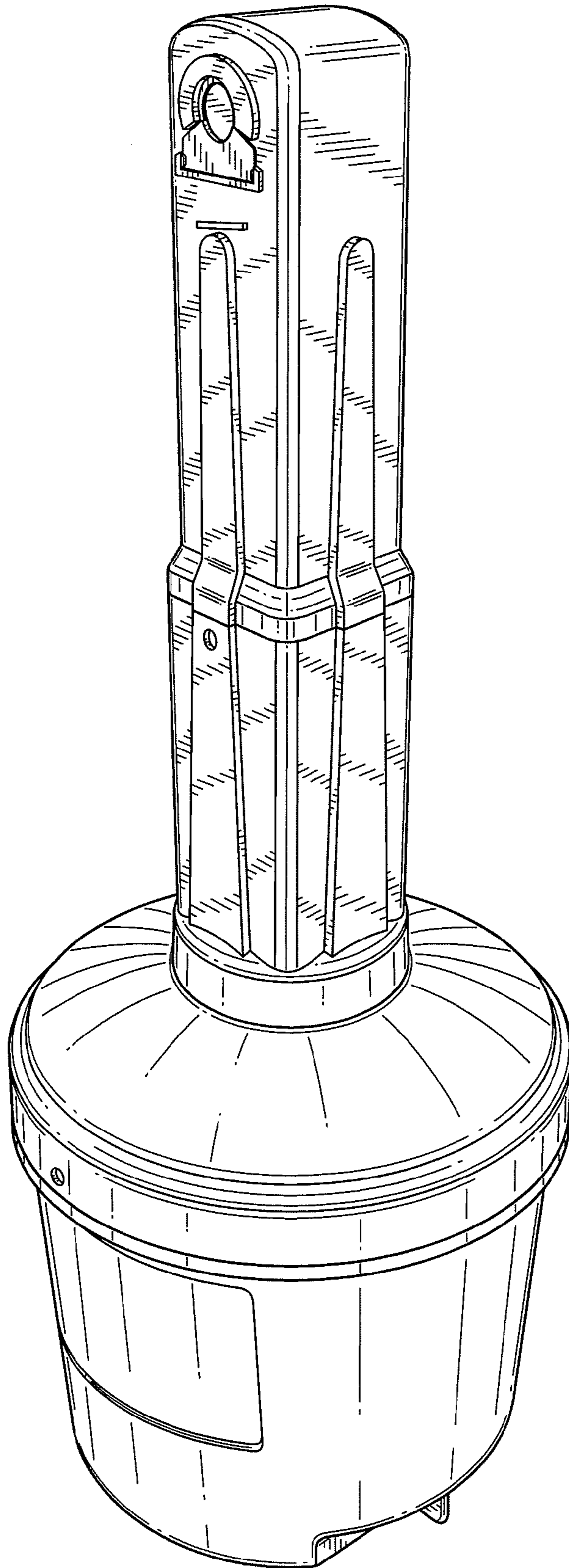


FIG. 1

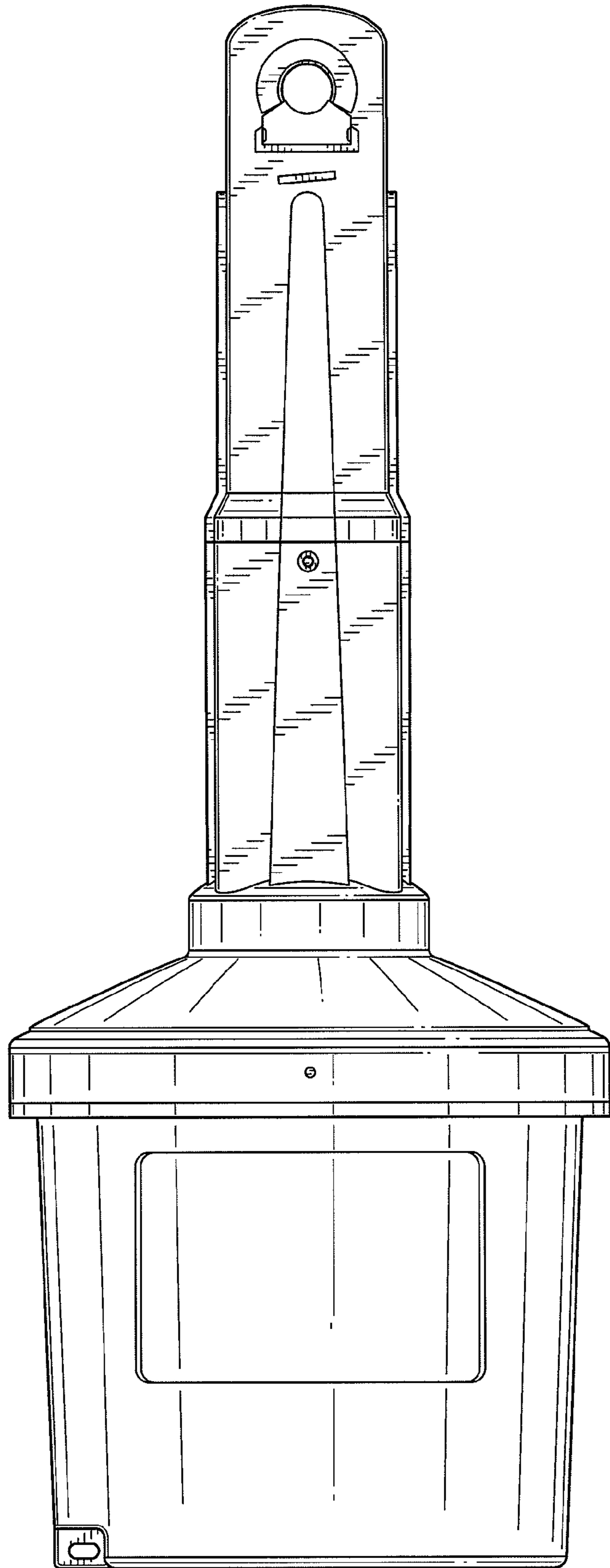


FIG. 2

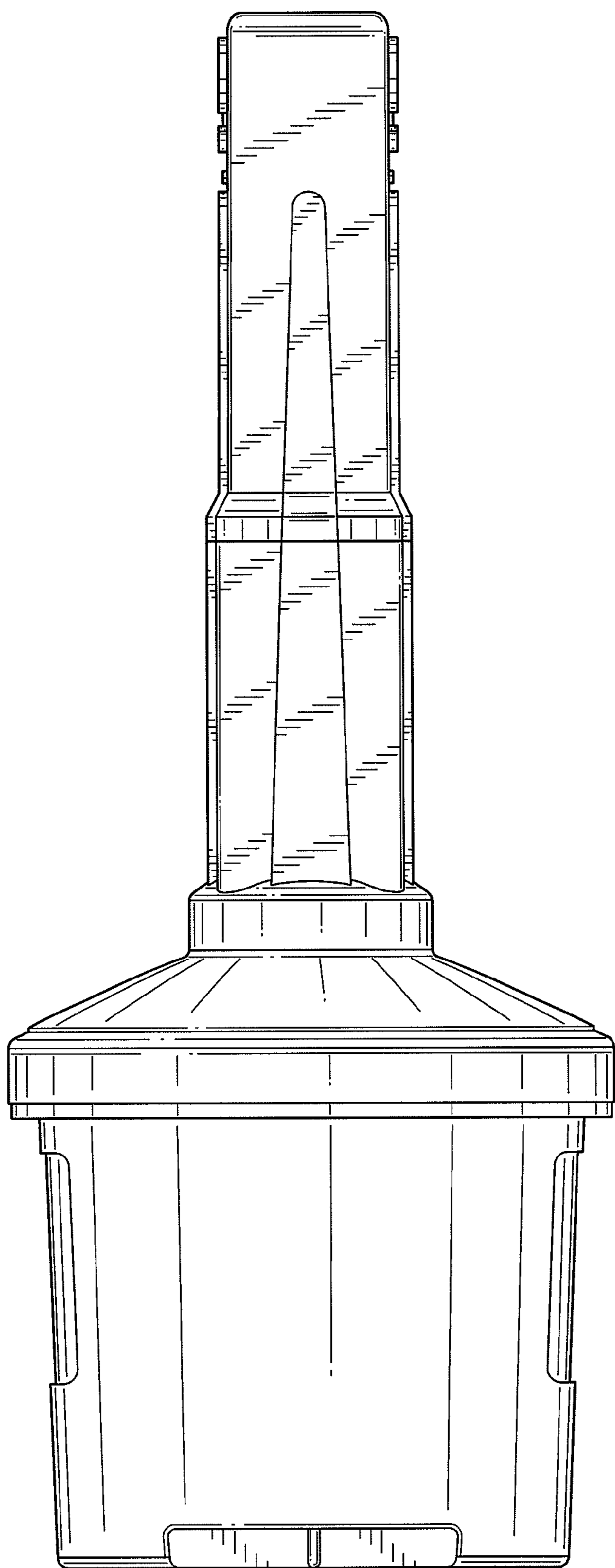


FIG. 3

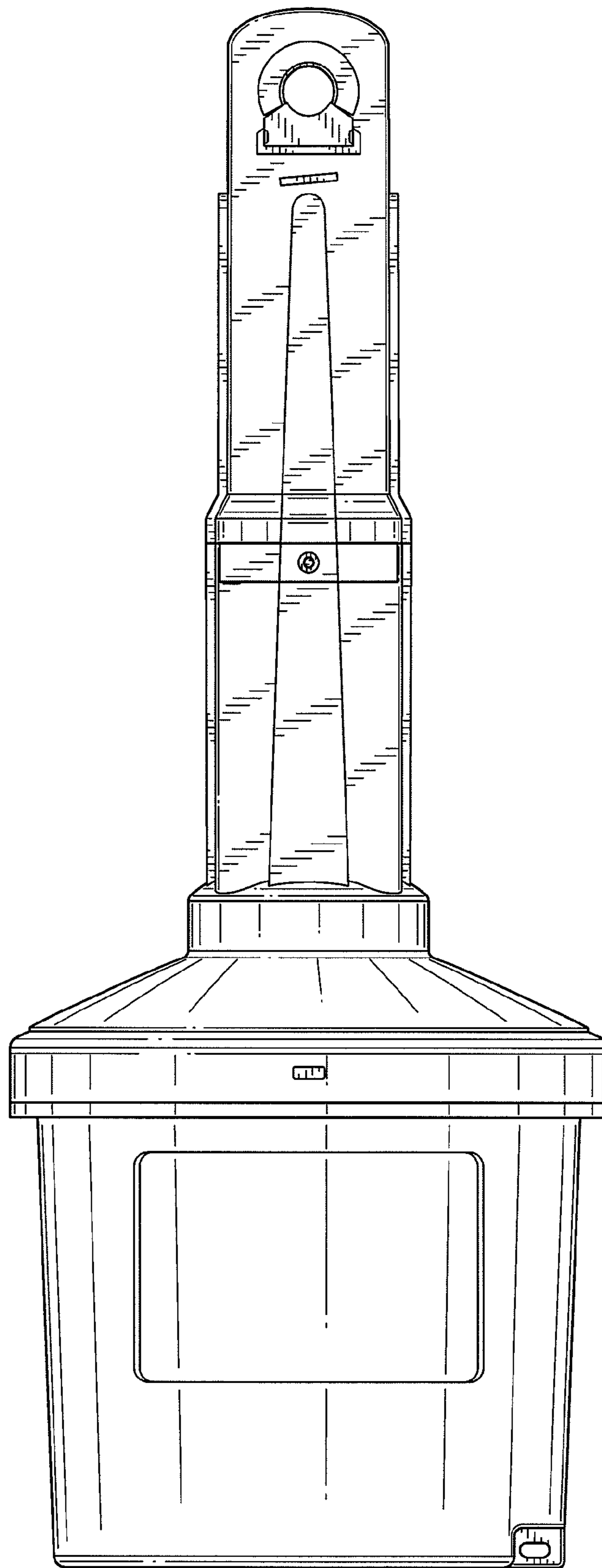


FIG. 4

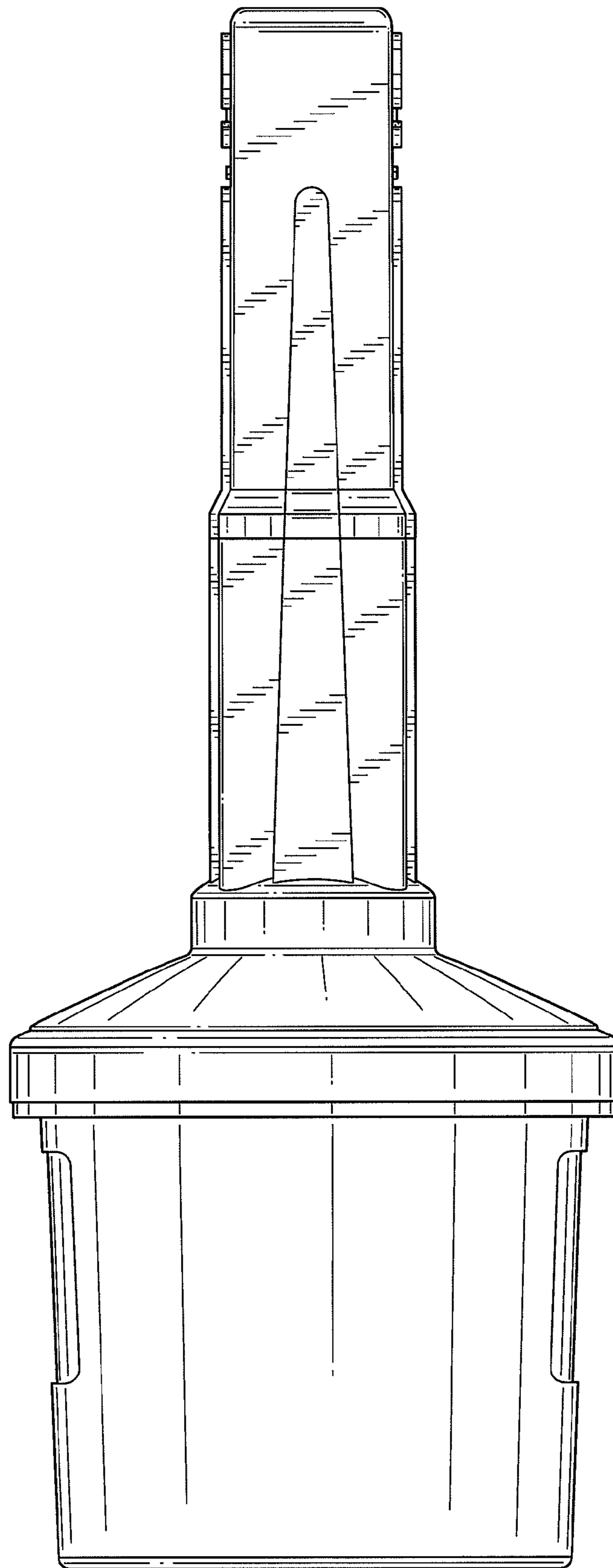


FIG. 5

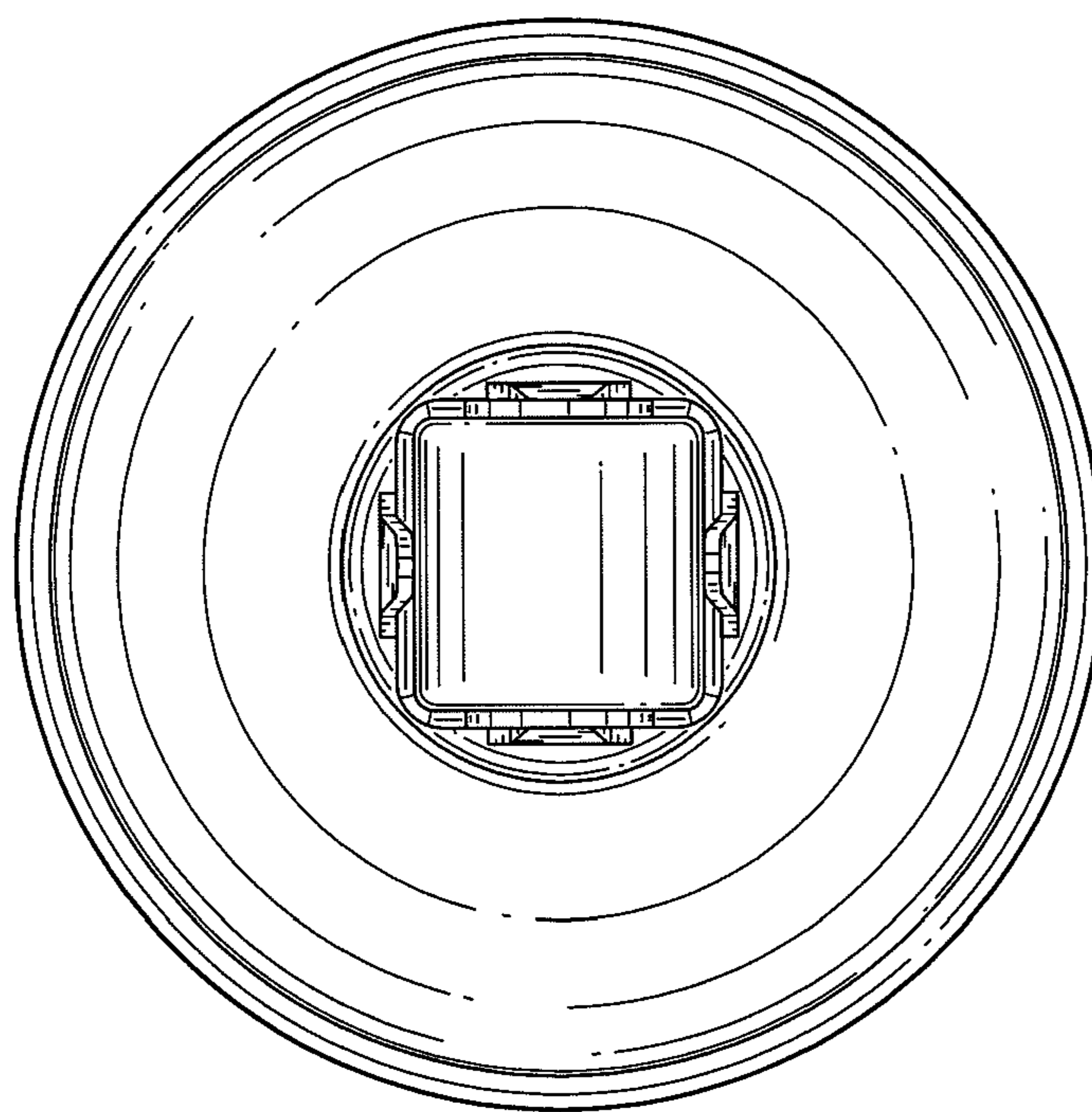


FIG. 6

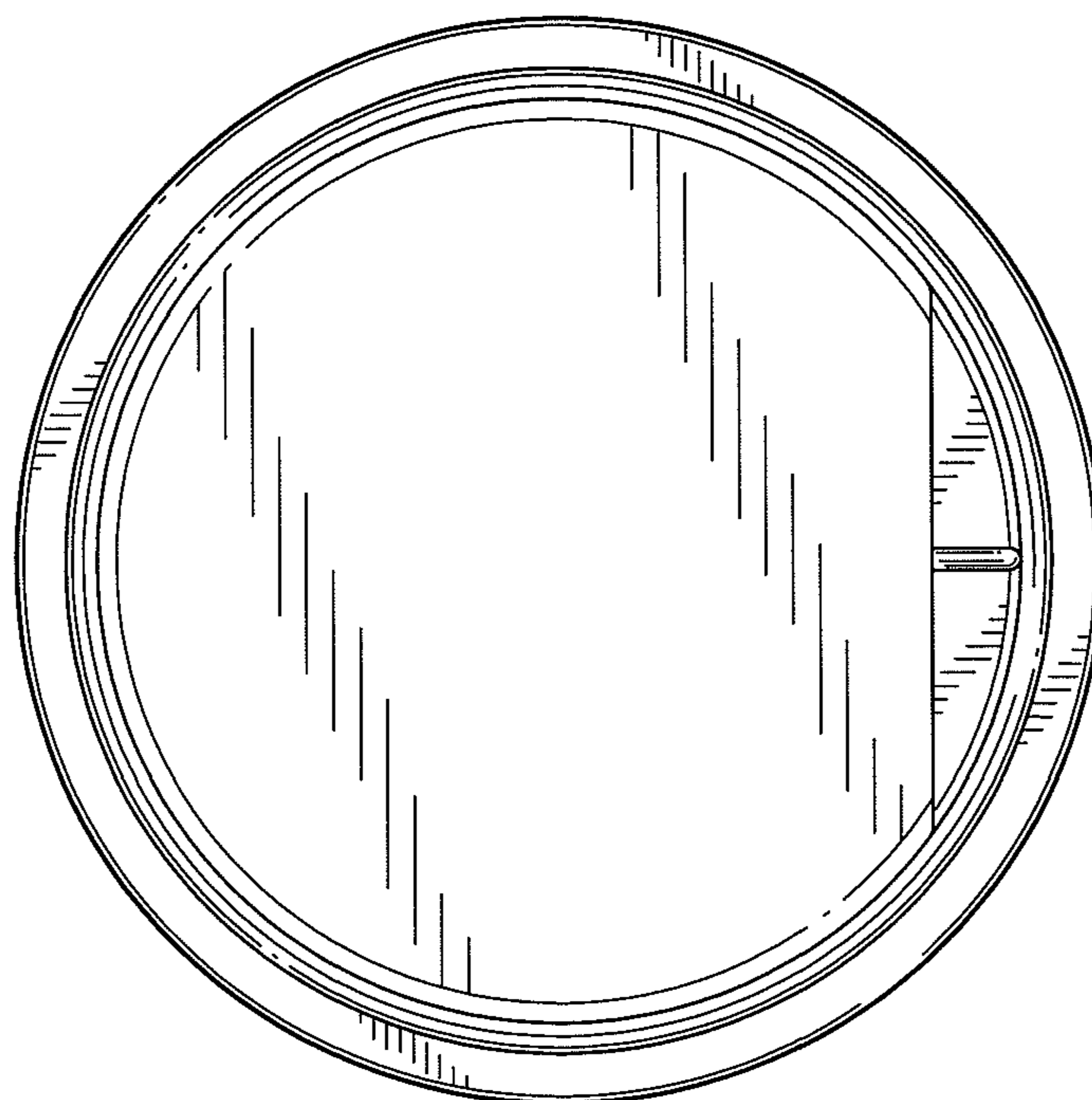


FIG. 7

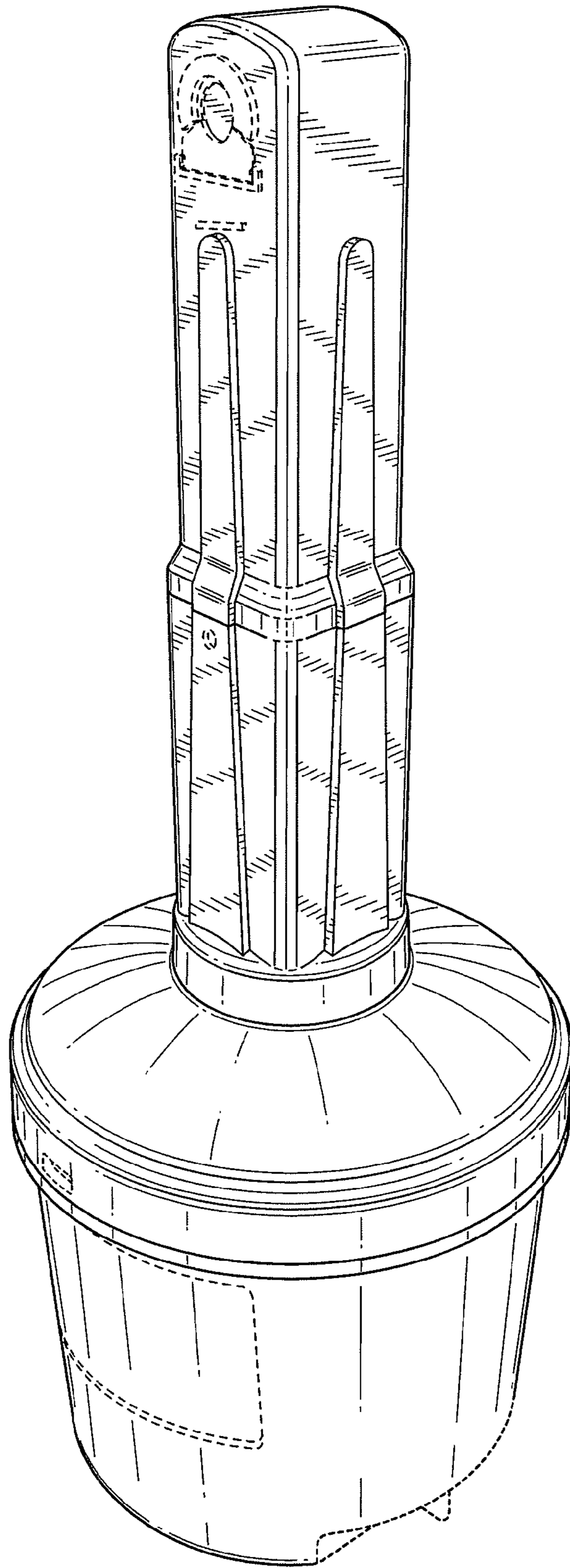


FIG. 8

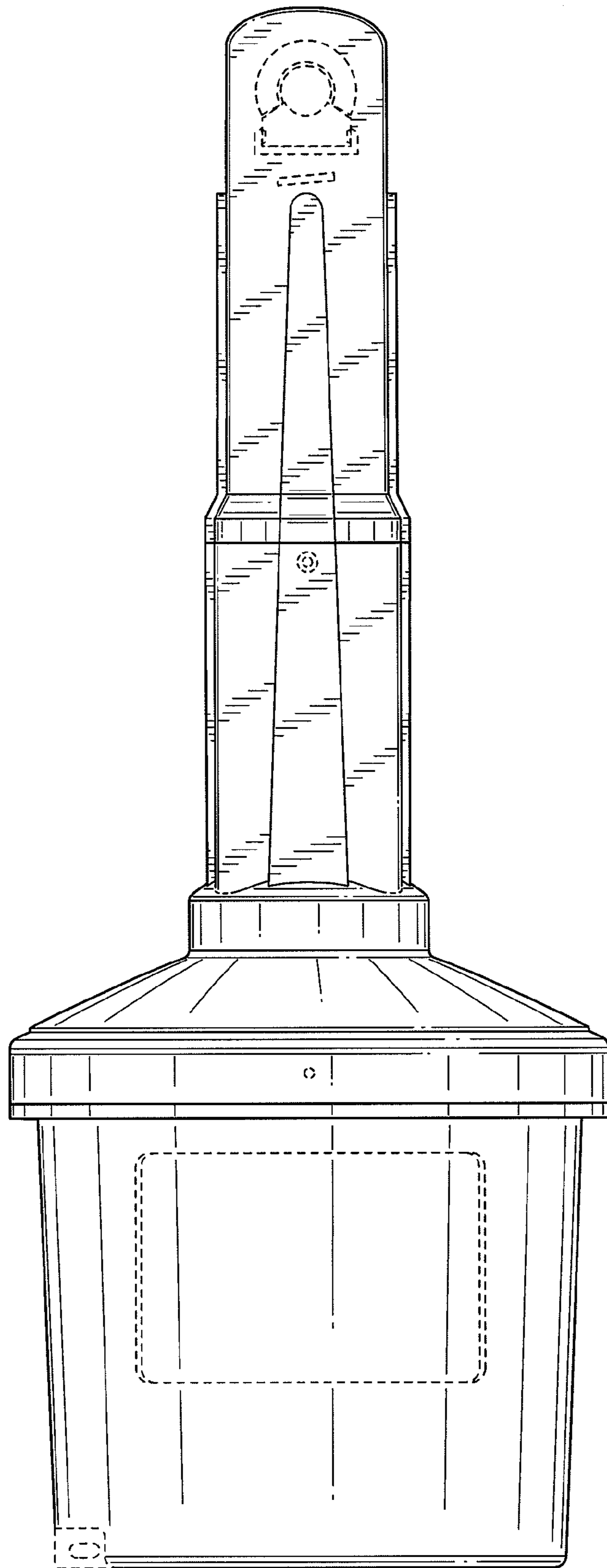


FIG. 9

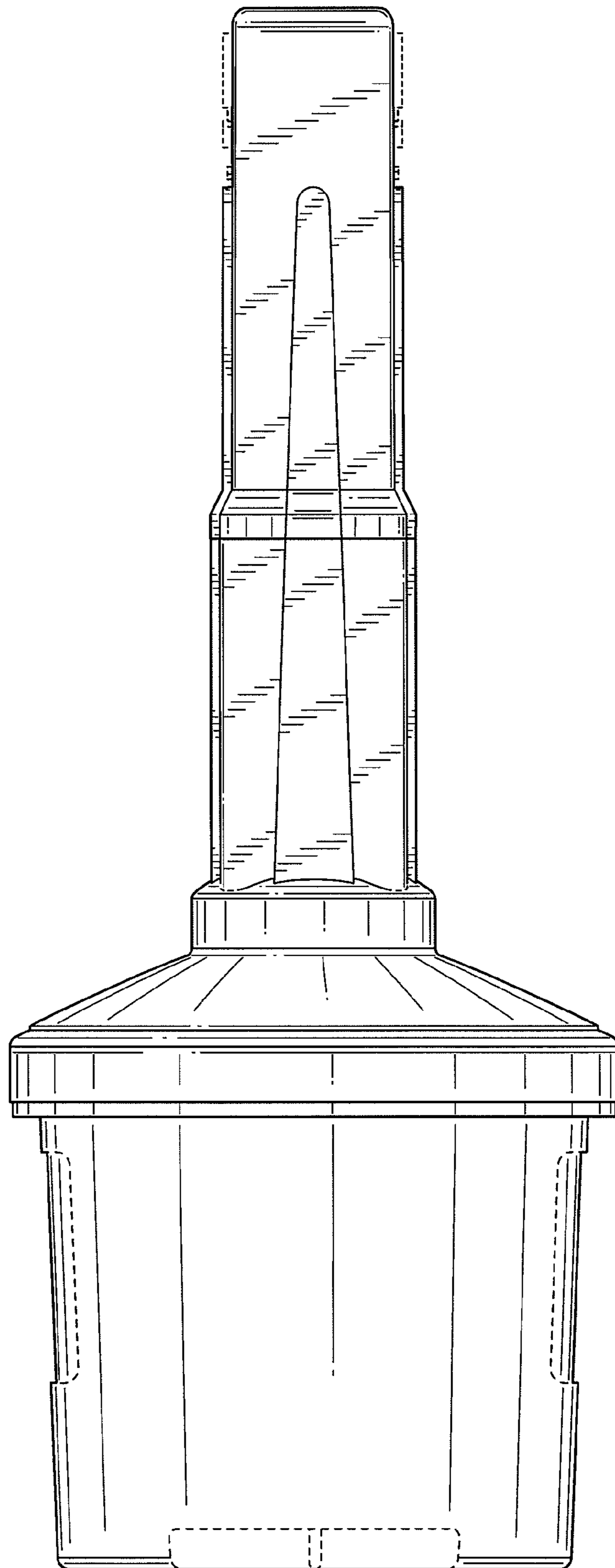


FIG. 10

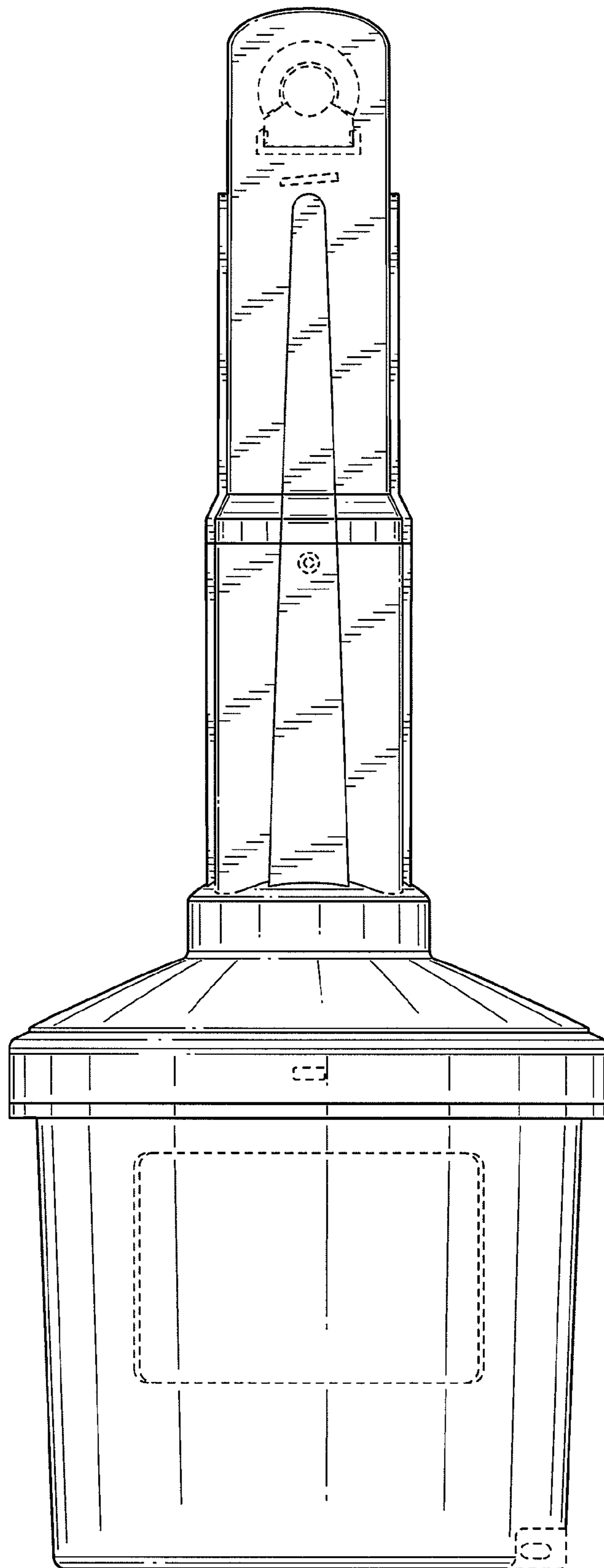


FIG. 11

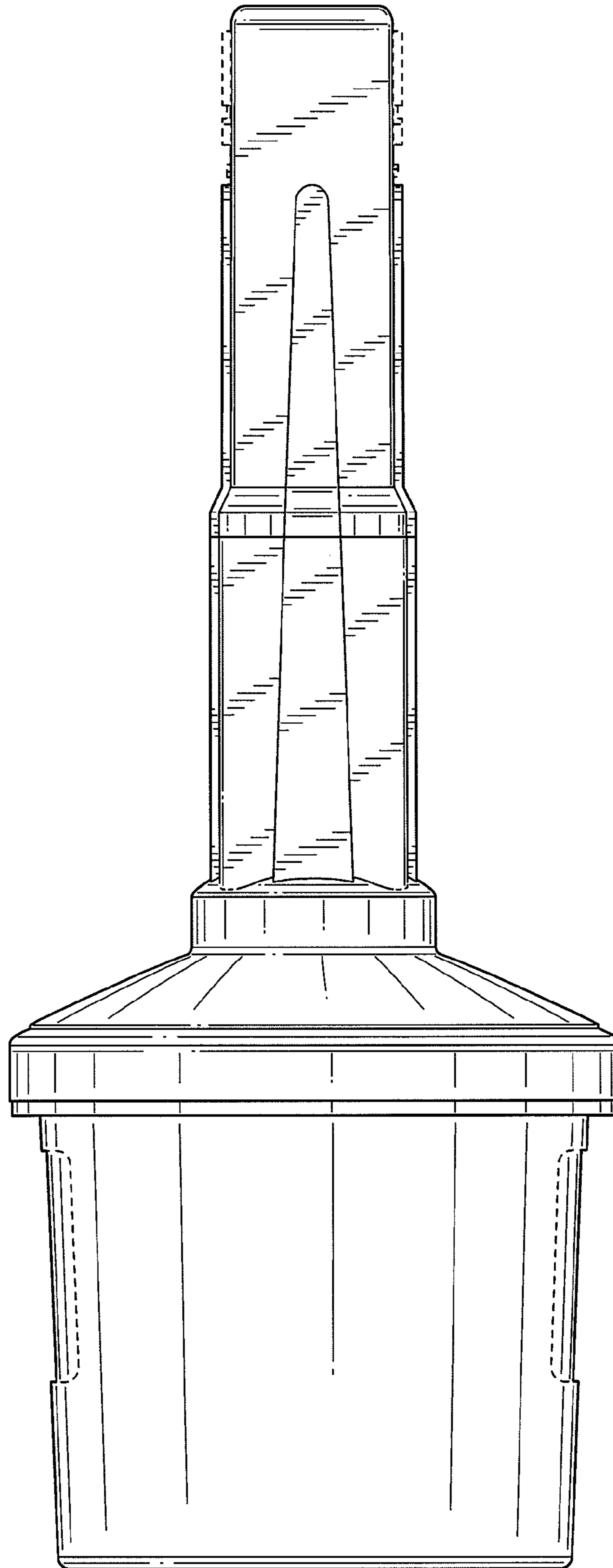


FIG. 12

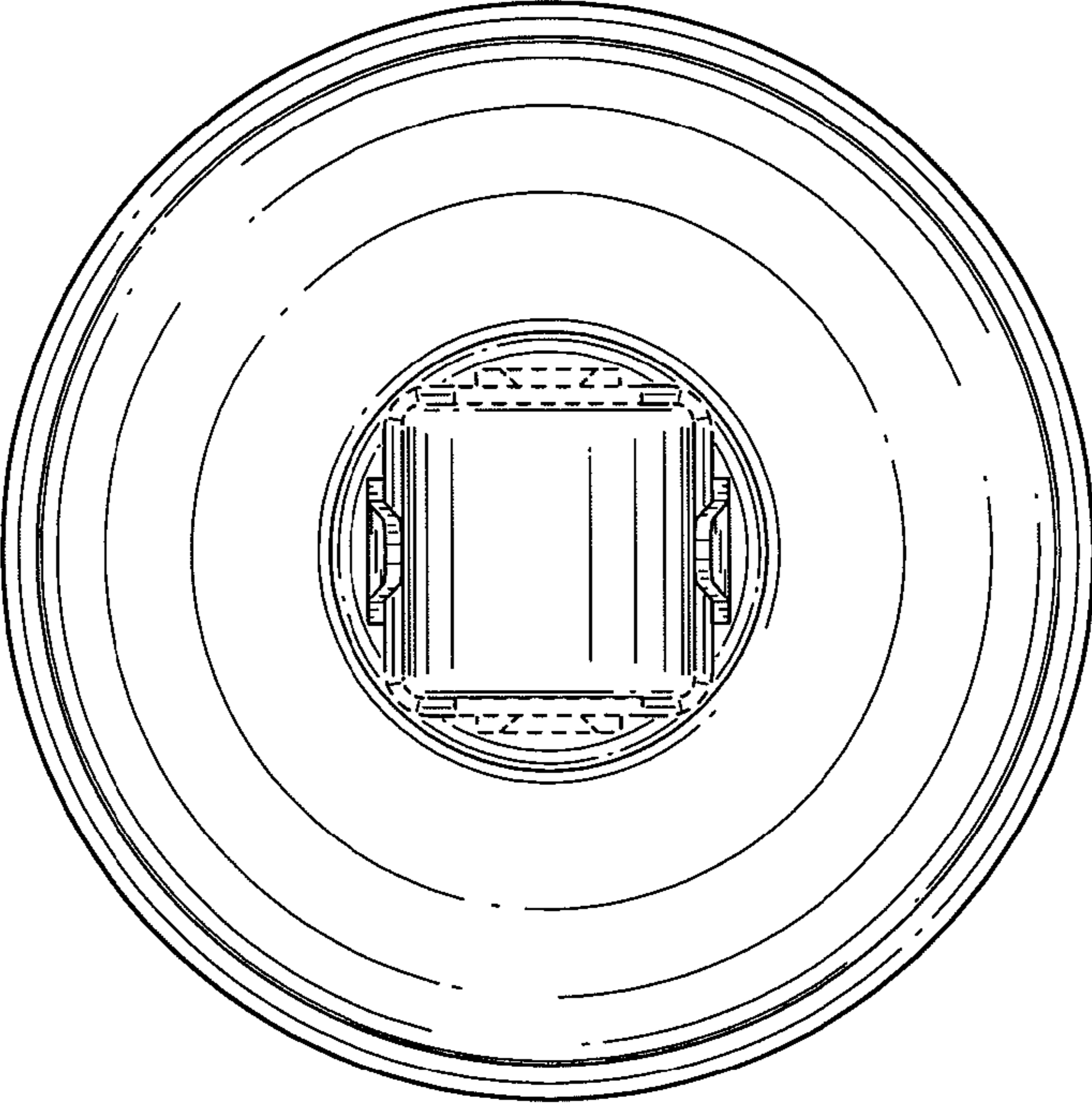


FIG. 13

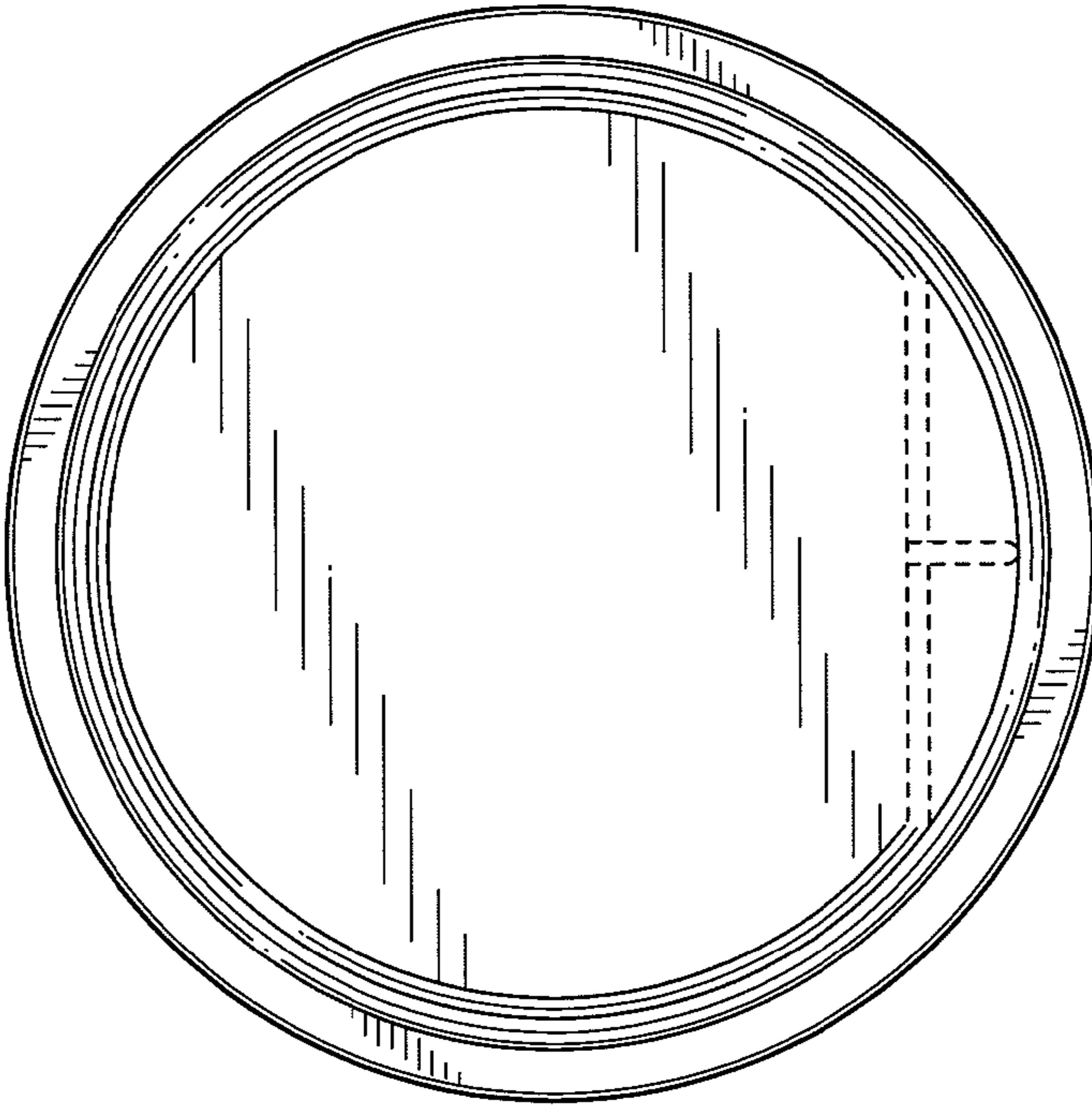


FIG. 14