



US00D621995S

(12) **United States Design Patent**
Redfern et al.

(10) **Patent No.:** **US D621,995 S**

(45) **Date of Patent:** **** Aug. 17, 2010**

(54) **LIGHTING FIXTURE**

(75) Inventors: **Chris Redfern**, Milan (IT); **Jean-Michel Wilmotte**, Paris (FR)

(73) Assignee: **Zumtobel Staff GmbH & Co., KG**, Lemgo (DE)

(**) Term: **14 Years**

(21) Appl. No.: **29/339,378**

(22) Filed: **Jun. 29, 2009**

Related U.S. Application Data

(62) Division of application No. 29/305,326, filed on Mar. 18, 2008, which is a division of application No. 29/211,634, filed on Aug. 19, 2004, now Pat. No. Des. 568,517.

(30) **Foreign Application Priority Data**

Feb. 19, 2004 (EP) 14403500010016

(51) **LOC (9) Cl.** **26-99**

(52) **U.S. Cl.** **D26/138**

(58) **Field of Classification Search** D26/113, D26/63, 118, 93, 110, 138, 61, 24, 120, 40, D26/73, 2, 25, 37, 60, 81, 119, 122, 123, D26/128, 140, 141, 142; 362/33, 249.09, 362/648, 101; D13/110, 134, 180; 439/121, 439/239, 241

See application file for complete search history.

(56) **References Cited**

U.S. PATENT DOCUMENTS

D47,863 S	9/1915	Seamon	D26/63
D74,734 S	3/1928	Garey et al.	D26/63
1,870,241 A	8/1932	Dorey	362/243
D128,967 S	8/1941	Peterson	D26/63
D166,411 S	4/1952	Rahn	D26/80
D168,738 S	2/1953	Friedman	D23/334
D175,528 S	9/1955	Atkin	D48/20
D211,388 S	6/1968	Harrison	D48/20

D222,556 S	11/1971	Mattson et al.	D48/20
3,643,079 A	2/1972	Glickman	362/251
D228,361 S *	9/1973	Burns et al.	D26/71
D232,256 S	7/1974	Koshigaya	D26/102
4,316,237 A	2/1982	Yamada et al.	362/33
4,319,311 A	3/1982	Mitchell	362/250
D264,206 S *	5/1982	Heritage	D13/133
D290,524 S *	6/1987	Kusmer	D13/110
D315,419 S	3/1991	Layne	D26/63
D325,645 S	4/1992	Grange	D26/63
D333,529 S	2/1993	Denison et al.	D26/68
D355,722 S	2/1995	Roos et al.	D26/63
D360,959 S	8/1995	Donato et al.	D26/63
D361,146 S	8/1995	Jandrisits et al.	D26/63
D370,076 S	5/1996	Lecluze	D26/63

(Continued)

Primary Examiner—T. Chase Nelson

Assistant Examiner—Kevin K Rudzinski

(74) *Attorney, Agent, or Firm*—Fitzpatrick, Cella, Harper & Scinto

(57) **CLAIM**

The ornamental design for a lighting fixture, as shown and described.

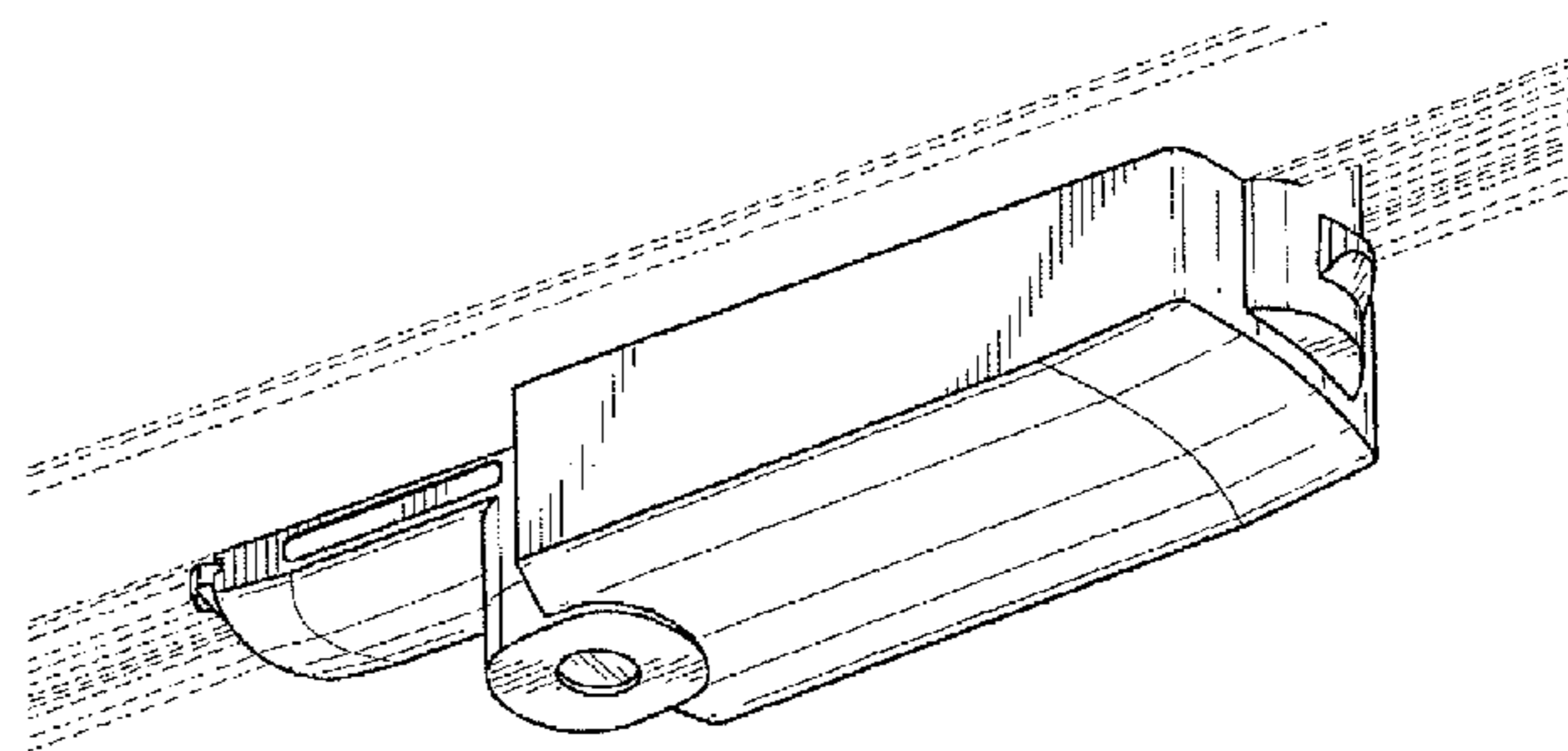
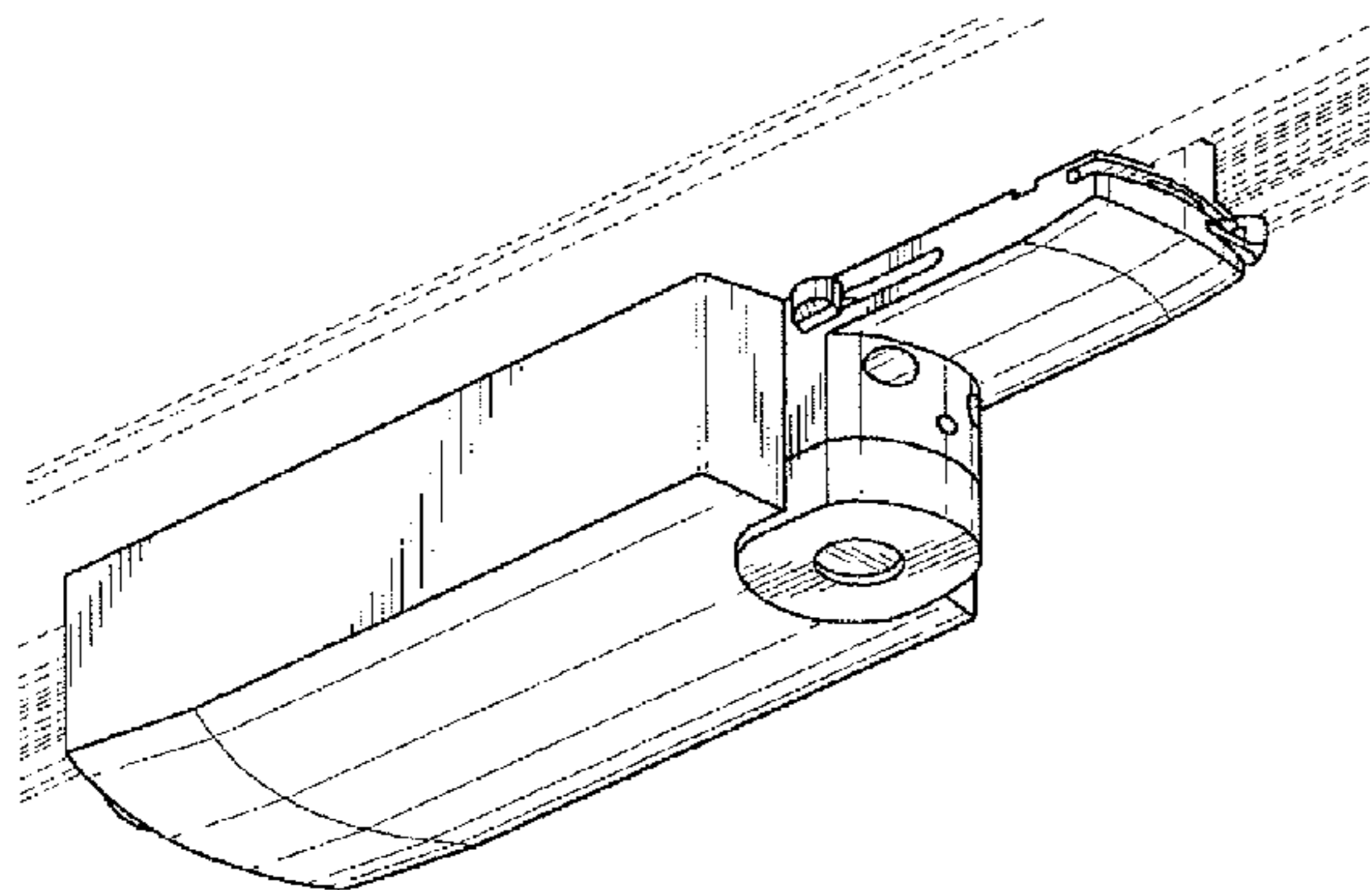
DESCRIPTION

FIG. 1 is a perspective view of a lighting fixture, showing the bottom, one side and the rear of the new design; and,

FIG. 2 is a perspective view of the lighting fixture showing the bottom, the opposite side and the front of the new design.

The broken lines in FIGS. 1 and 2 are for the purpose of illustrating environmental structure and form no part of the claimed design.

1 Claim, 1 Drawing Sheet



US D621,995 S

Page 2

U.S. PATENT DOCUMENTS

D384,430 S	9/1997	Lecluze	D26/24	D459,514 S *	6/2002	Mier-Langner et al.	D26/63
D384,431 S *	9/1997	Bitton	D26/74	6,457,848 B1 *	10/2002	Wolf et al.	362/364
D394,241 S *	5/1998	Wachter et al.	D13/110	6,755,558 B2 *	6/2004	Krietenstein et al.	362/365
D394,723 S *	5/1998	Mier-Langner et al.	D26/63	D493,138 S *	7/2004	Jiang	D13/110
5,869,786 A *	2/1999	Jaakkola et al.	174/96	6,779,910 B1 *	8/2004	Pelton	362/364
5,921,790 A *	7/1999	Nieminen et al.	439/121	D520,177 S	5/2006	Roos et al.	D26/143
D420,759 S *	2/2000	Shuenn-Fa	D26/65	D526,735 S	8/2006	Targetti	D26/63
6,056,561 A *	5/2000	Lin	439/121	D538,959 S	3/2007	Kosche	D26/63
6,059,582 A *	5/2000	Tsai	439/121	D545,988 S *	7/2007	Goetz-Schaefer	D26/74
6,113,401 A *	9/2000	Nieminen et al.	439/121	D564,121 S *	3/2008	Lin	D26/64
6,120,164 A	9/2000	Libin et al.	362/269	D566,873 S *	4/2008	Grundl et al.	D26/63
6,132,062 A	10/2000	Borders et al.	362/251	D569,544 S *	5/2008	Aubrey	D26/138
6,132,065 A *	10/2000	Wedell et al.	362/267	D576,345 S *	9/2008	Aubrey	D26/138
6,132,069 A *	10/2000	Sato et al.	362/365	D580,085 S *	11/2008	Svensson	D26/71
6,174,069 B1	1/2001	Plunk et al.	362/147	2002/0137374 A1 *	9/2002	O'Rourke et al.	439/121
D437,439 S	2/2001	Tang	D26/63	2003/0223234 A1 *	12/2003	Tang	362/226
D457,977 S *	5/2002	Mier-Langner et al.	D26/63	2007/0268701 A1 *	11/2007	Devlin	362/272

* cited by examiner

FIG. 1

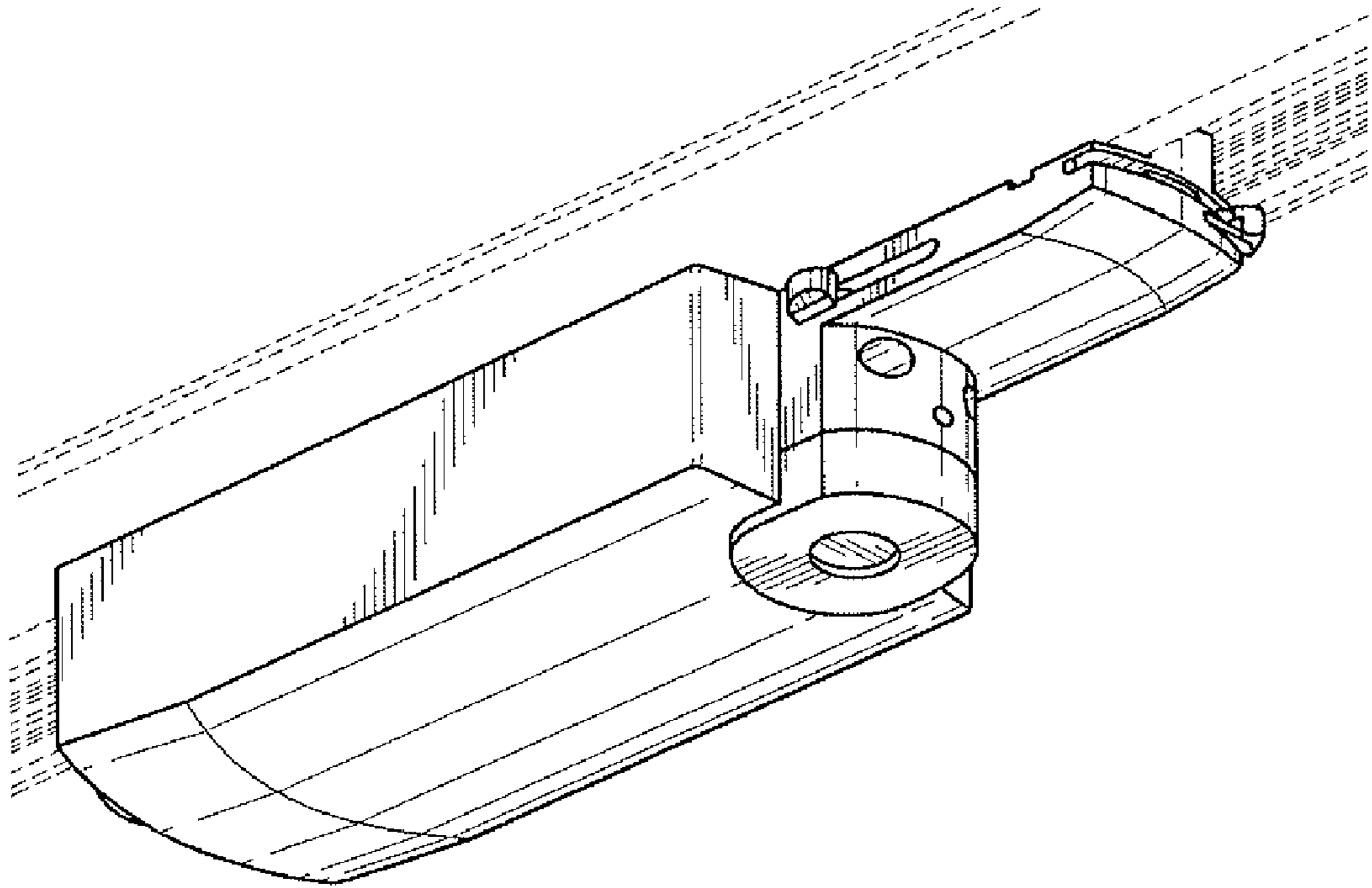


FIG. 2

