



US00D621993S

(12) **United States Design Patent**
Jong

(10) **Patent No.:** **US D621,993 S**

(45) **Date of Patent:** **** *Aug. 17, 2010**

(54) **LAMP REFLECTOR**

(75) Inventor: **Cheng-Chao Jong**, Taoyuan (TW)

(73) Assignee: **Jenn Feng New Energy Co., Ltd.**,
Taoyuan (TW)

(*) Notice: This patent is subject to a terminal disclaimer.

(**) Term: **14 Years**

(21) Appl. No.: **29/344,195**

(22) Filed: **Sep. 25, 2009**

(51) **LOC (9) Cl.** **26-99**

(52) **U.S. Cl.** **D26/118**

(58) **Field of Classification Search** D26/113,
D26/63, 118, 93, 110, 138, 61, 24, 120, 40,
D26/73, 2, 25, 37, 60, 81, 119, 122, 123,
D26/128, 140, 141, 142; 362/33, 249.09,
362/648, 101; D13/110, 134, 180; 439/121,
439/239, 241

See application file for complete search history.

(56) **References Cited**

U.S. PATENT DOCUMENTS

3,420,995 A * 1/1969 Dunkel 362/366
3,675,008 A * 7/1972 Hill 362/355
3,872,296 A * 3/1975 Cohen et al. 362/366

3,902,059 A * 8/1975 McNamara, Jr. 362/349
D287,890 S * 1/1987 De Vos D26/118
6,152,579 A * 11/2000 Reed et al. 362/320
D437,449 S * 2/2001 Soller D26/119
D442,733 S * 5/2001 Minissi et al. D26/118
6,478,454 B1 * 11/2002 Jaffari et al. 362/307
6,561,676 B1 * 5/2003 Fischer et al. 362/263
7,380,967 B2 * 6/2008 Reed et al. 362/433
7,445,363 B2 * 11/2008 Vanden Eynden 362/346

* cited by examiner

Primary Examiner—Cathron C Brooks

Assistant Examiner—Kevin K Rudzinski

(57) **CLAIM**

The ornamental design for a lamp reflector, as shown and described.

DESCRIPTION

FIG. 1 is a perspective view of a lamp reflector showing our new design;

FIG. 2 is a front elevational view thereof;

FIG. 3 is a rear elevational view thereof;

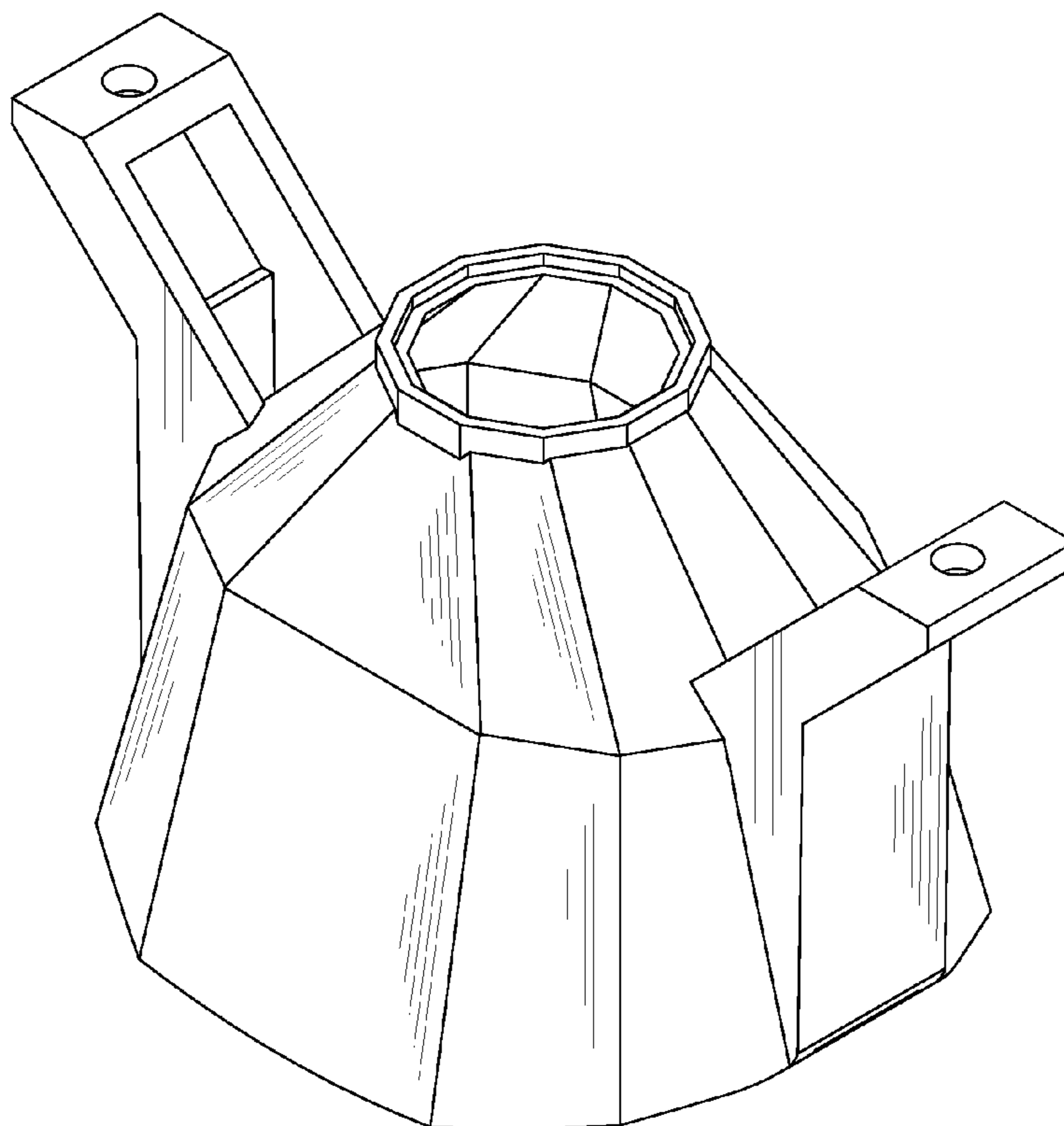
FIG. 4 is a left side elevational view thereof;

FIG. 5 is a right side elevational view thereof;

FIG. 6 is a top view thereof; and,

FIG. 7 is a bottom view thereof.

1 Claim, 7 Drawing Sheets



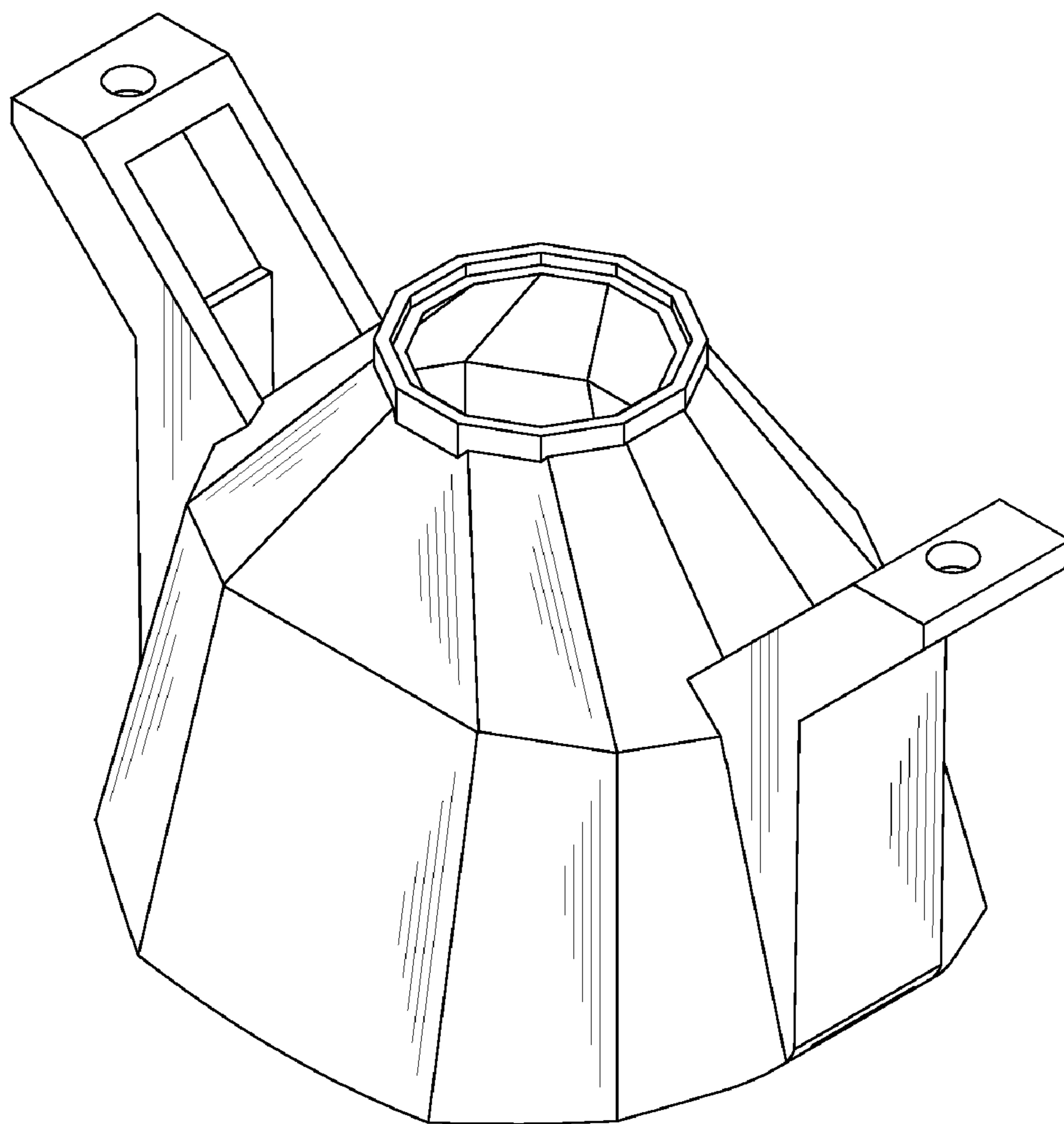


FIG. 1

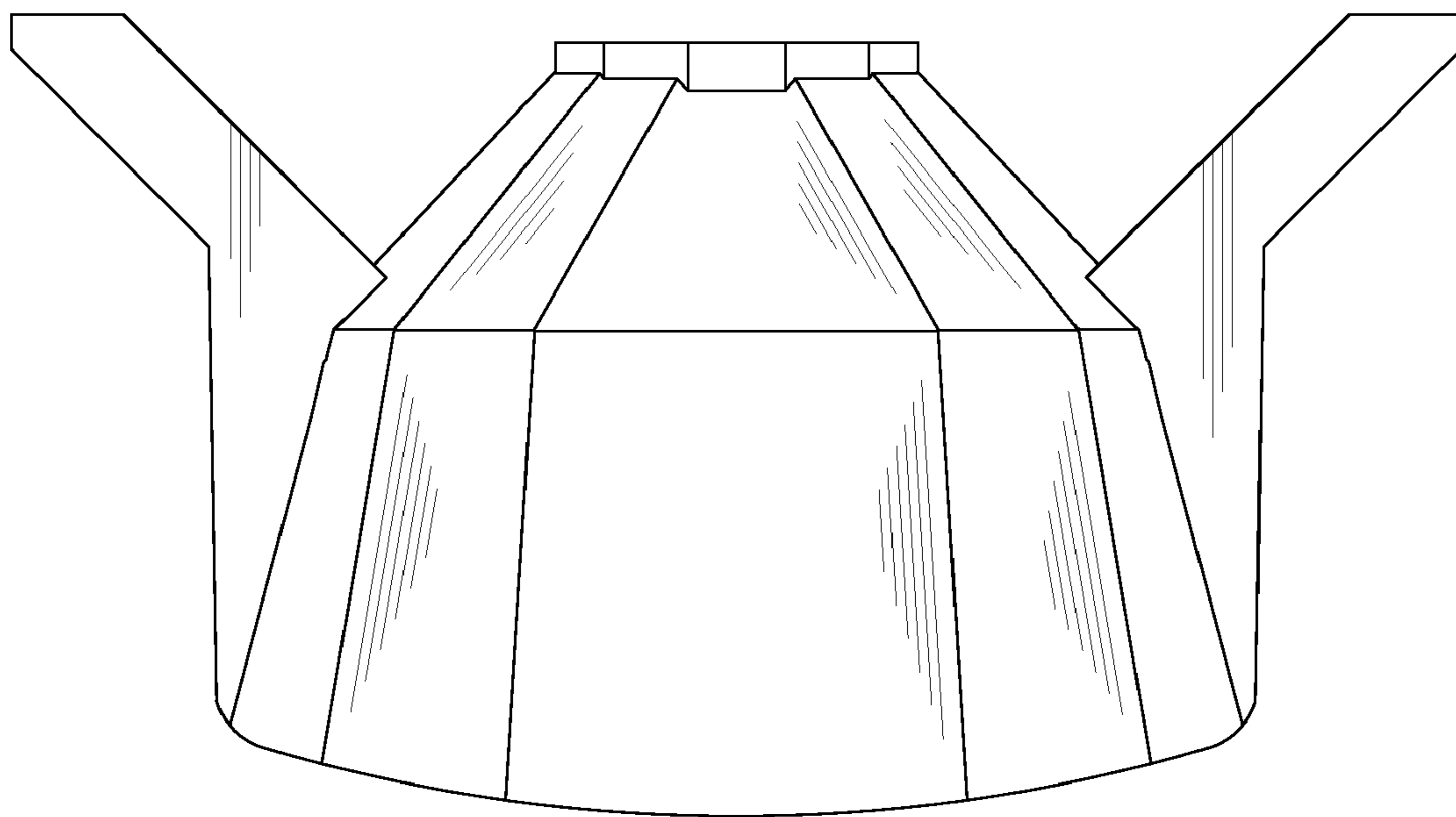


FIG. 2

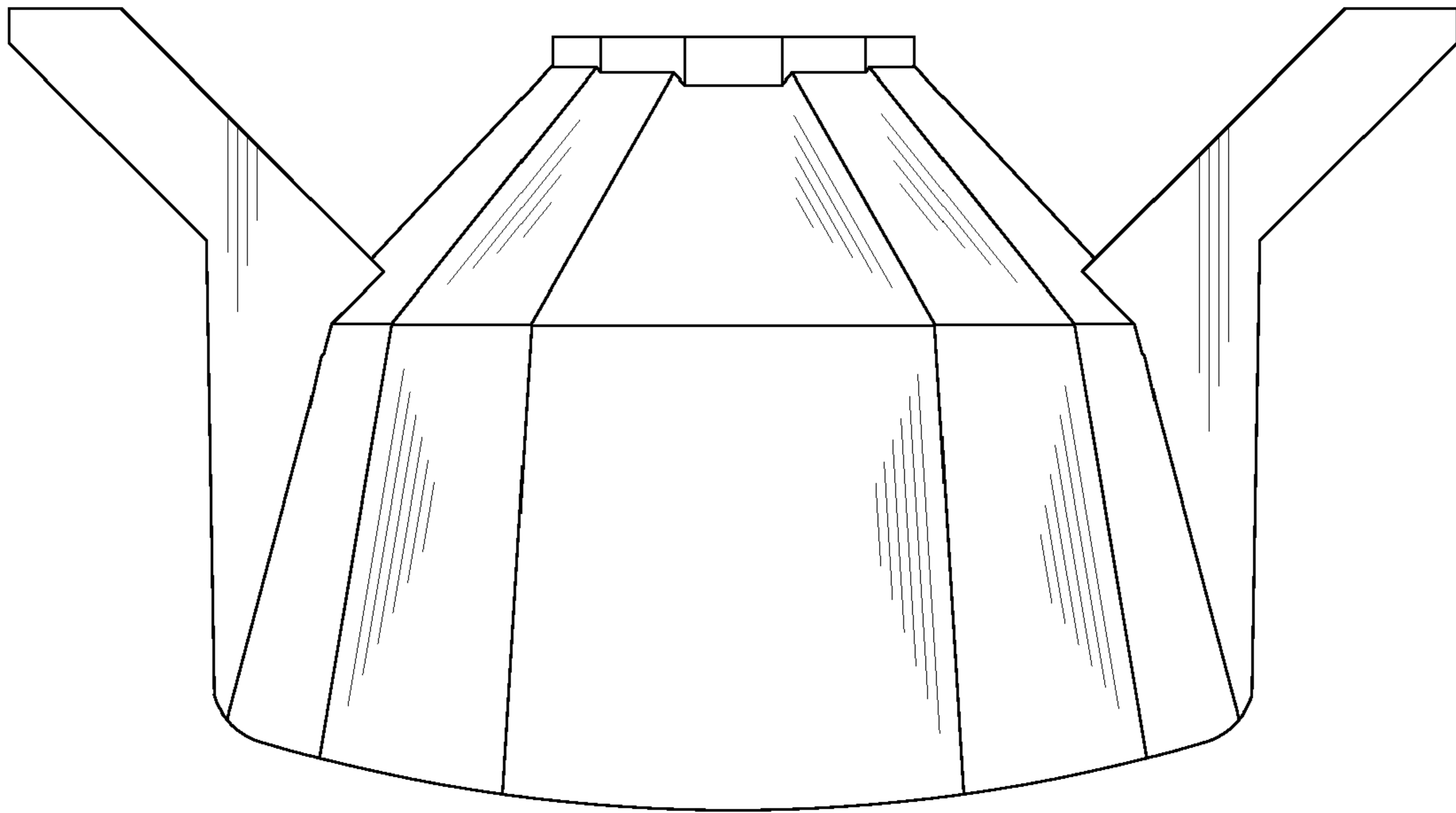


FIG. 3

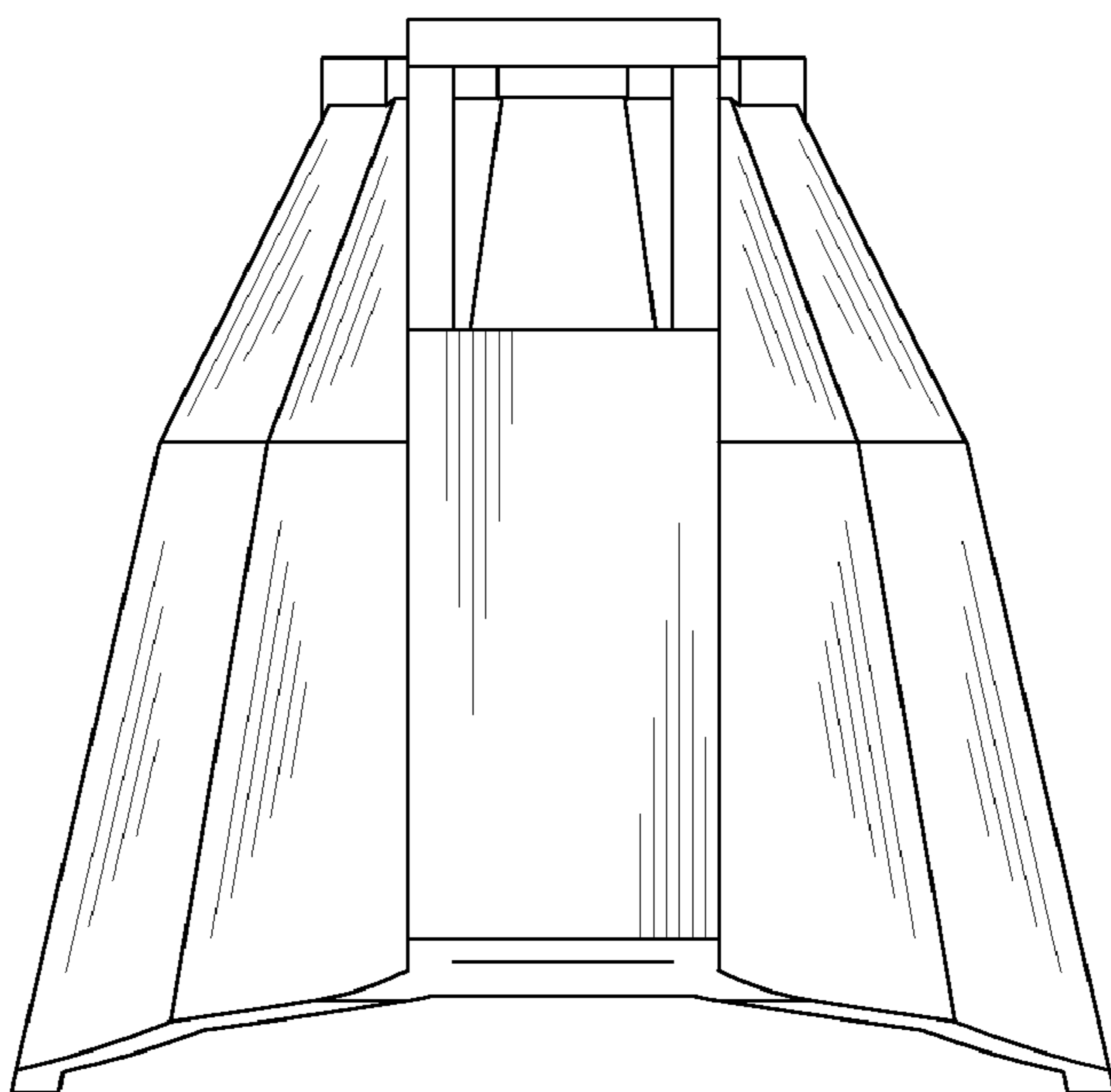


FIG. 4

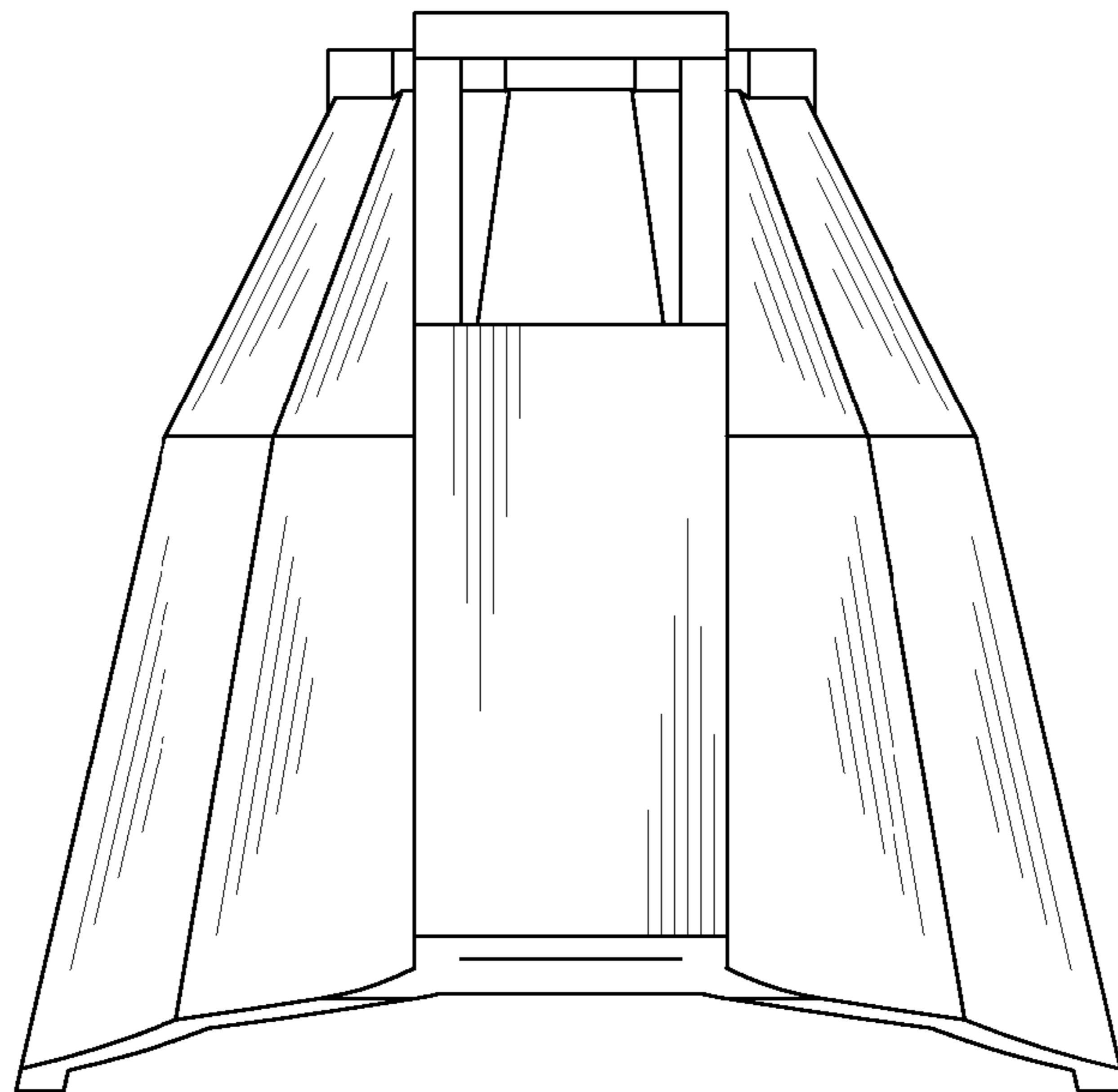


FIG. 5

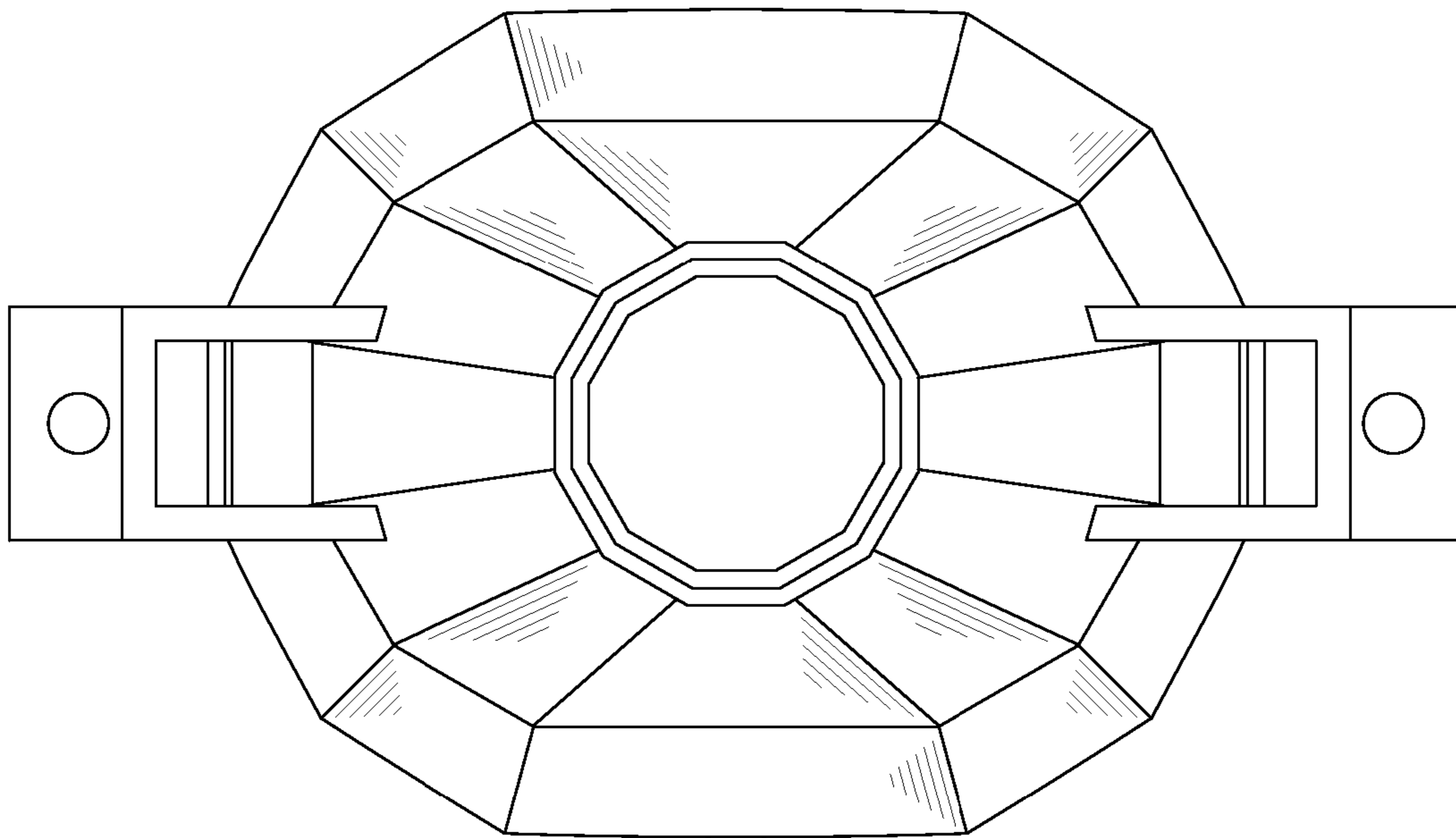


FIG. 6

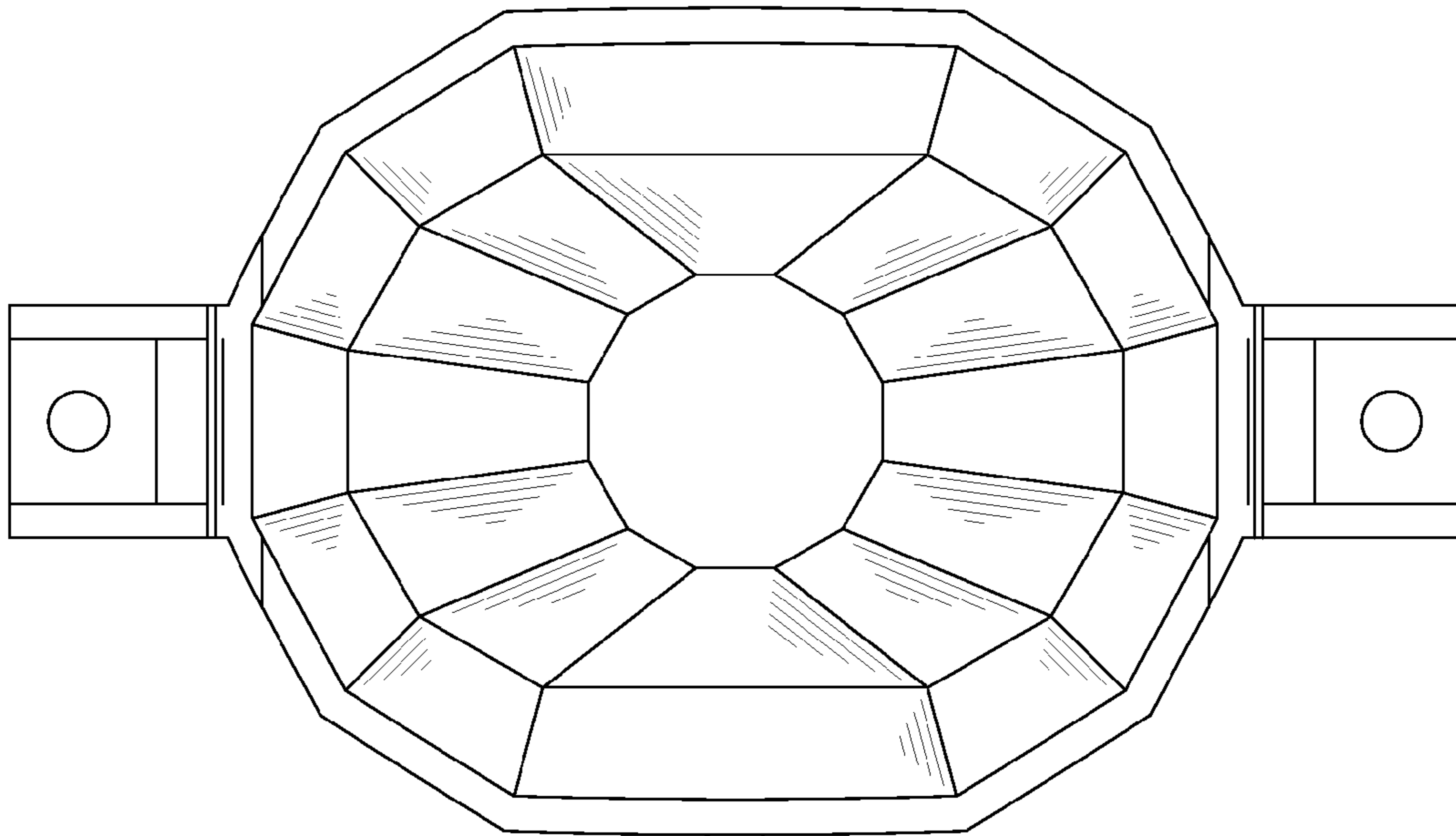


FIG. 7