



US00D621992S

(12) **United States Design Patent**
Fujiwara et al.

(10) **Patent No.:** **US D621,992 S**

(45) **Date of Patent:** **** Aug. 17, 2010**

(54) **LIGHT GUIDING PLATE**

(75) Inventors: **Toshimitsu Fujiwara**, Kyoto (JP);
Tomonobu Kato, Kyoto (JP); **Yoshihisa**
Ishikawa, Kyoto (JP); **Kosuke Sanari**,
Kyoto (JP)

(73) Assignee: **OMRON Corporation**, Kyoto (JP)

(**) Term: **14 Years**

(21) Appl. No.: **29/296,038**

(22) Filed: **Oct. 12, 2007**

(30) **Foreign Application Priority Data**

Apr. 13, 2007 (JP) D 2007-009976

(51) **LOC (9) Cl.** **26-99**

(52) **U.S. Cl.** **D26/113**

(58) **Field of Classification Search** D26/120,
D26/121, 118, 113, 123, 124, 142, 138, 52,
D26/72, 128, 131, 137; D11/7, 9, 10, 15,
D11/21, 43, 45, 85, 89; D13/180, 181; D16/213,
D16/218, 101, 317, 134; D14/511, 496,
D14/389, 507, 203.1, 217, 299; 40/546;
362/615, 241, 246, 612, 101; 63/35; D5/45,
D5/63; D7/553.6, 554.2, 388, 624.1, 625
See application file for complete search history.

(56) **References Cited**

U.S. PATENT DOCUMENTS

D168,162 S * 11/1952 Laque D26/51
3,043,947 A * 7/1962 Albinger, Jr. 362/634

3,561,145 A * 2/1971 Shotwell 40/546
3,938,177 A * 2/1976 Hansen et al. 257/98
5,550,716 A * 8/1996 Dassanayake et al. 362/560
D379,548 S * 5/1997 Johnson D26/128
5,651,086 A * 7/1997 Russell 385/146
D403,458 S * 12/1998 Walz D26/85
D424,232 S * 5/2000 Tihany D26/87
7,290,904 B2 * 11/2007 Miller 362/432
2007/0124970 A1 * 6/2007 Hjaltason 40/546

* cited by examiner

Primary Examiner—Cathron C Brooks

Assistant Examiner—Kevin K Rudzinski

(74) *Attorney, Agent, or Firm*—Harness, Dickey & Pierce,
P.L.C.

(57) **CLAIM**

The ornamental design for a light guiding plate, as shown and described.

DESCRIPTION

FIG. 1 is a perspective view of a light guiding plate showing our new design;

FIG. 2 is a front elevational view thereof;

FIG. 3 is a rear elevational view thereof;

FIG. 4 is a top plan view thereof, bottom plan view being a mirror image thereof;

FIG. 5 is a left side view thereof; and,

FIG. 6 is a right side view thereof.

The oblique short lines in the drawings are intended to illustrate that the surface is translucent.

1 Claim, 2 Drawing Sheets

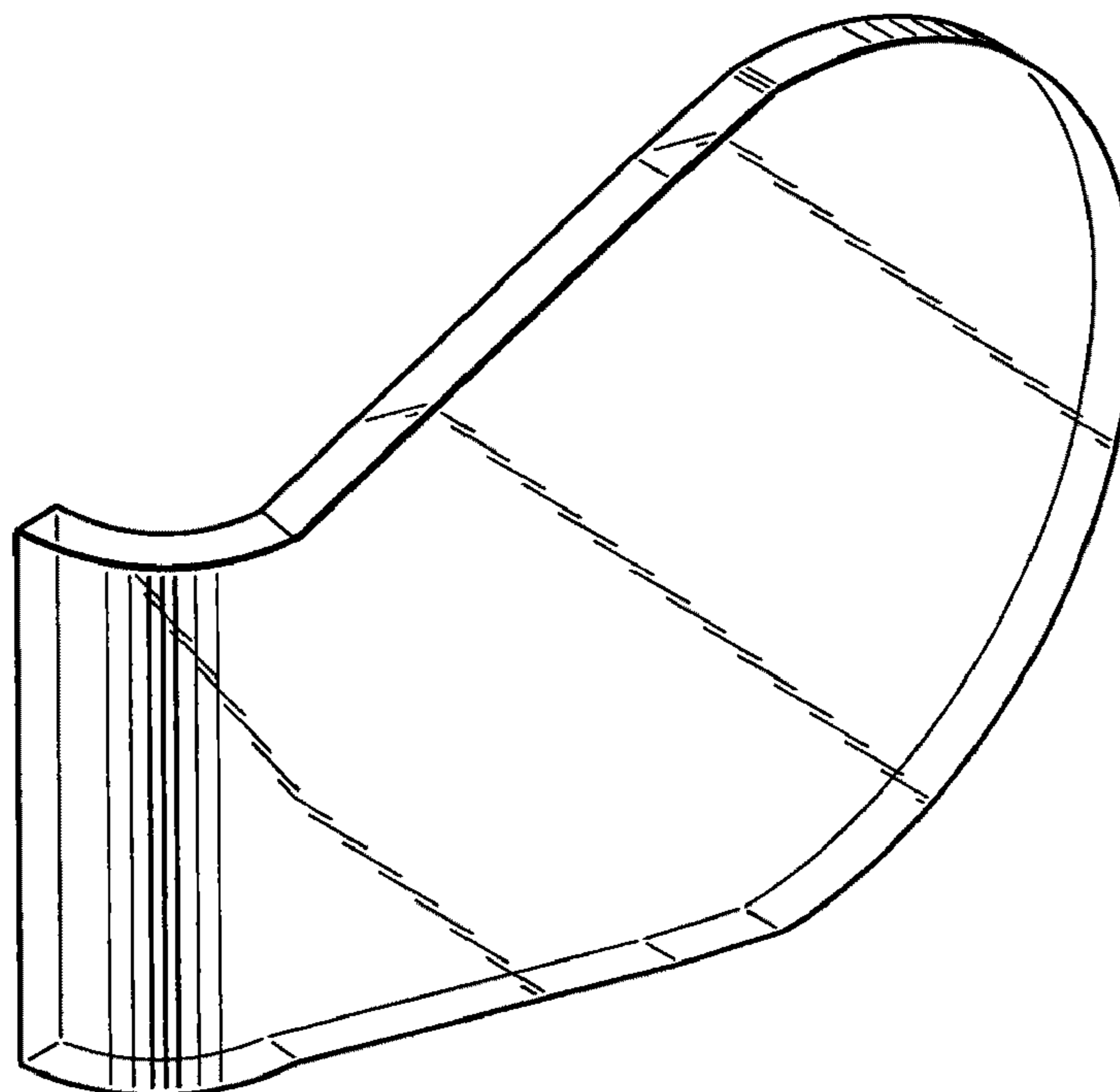


Fig. 1

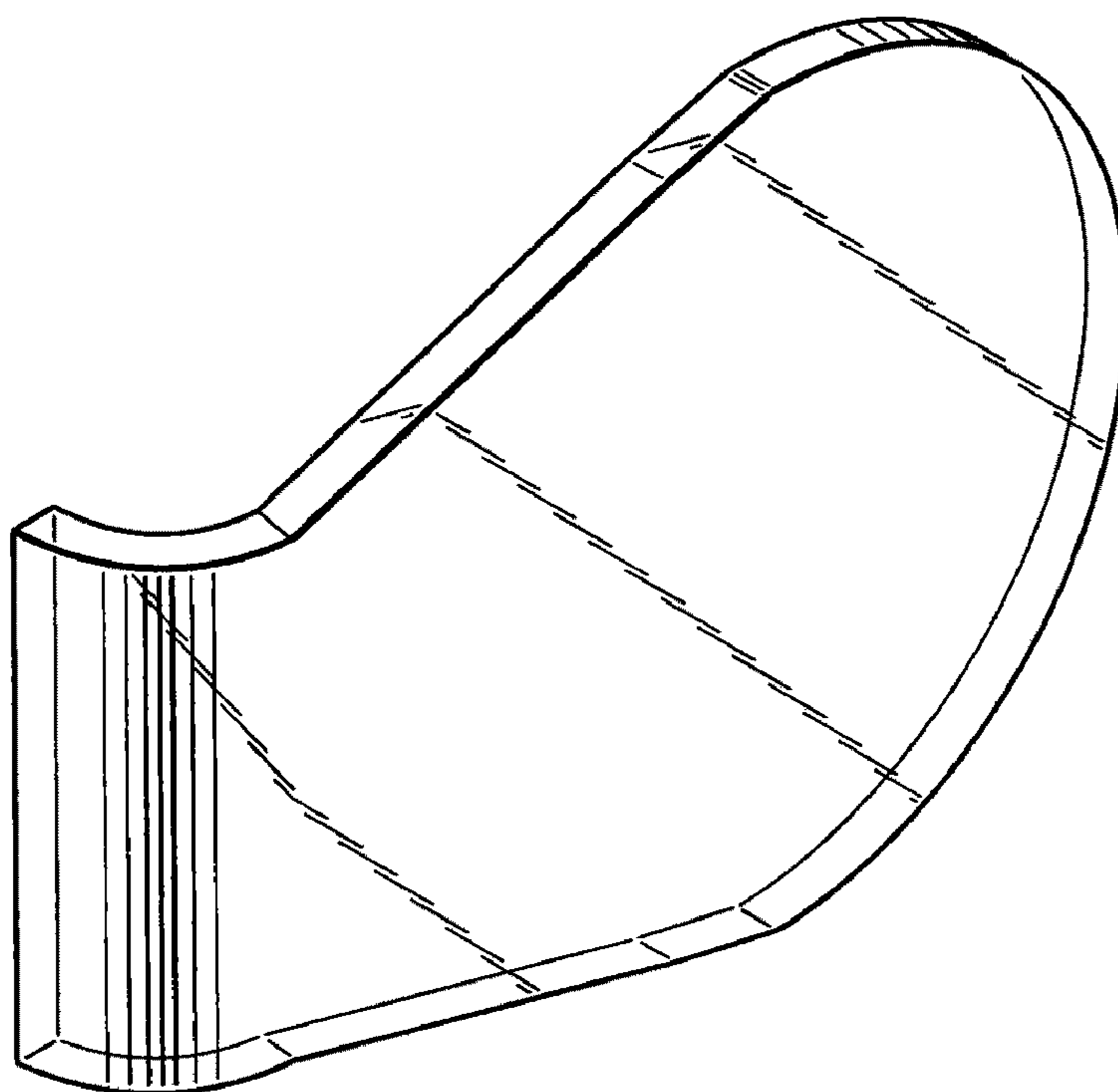


Fig. 2

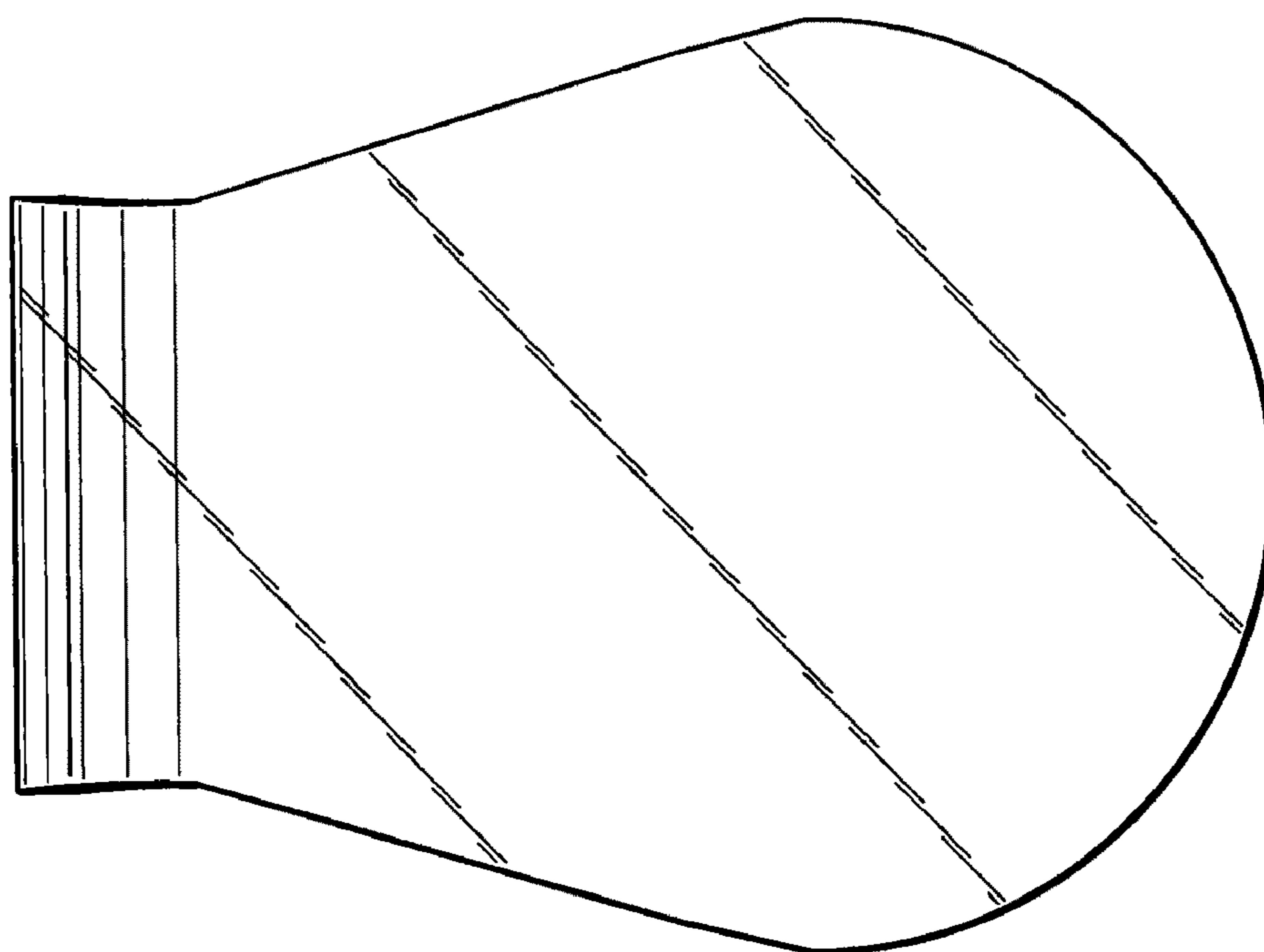


Fig. 3

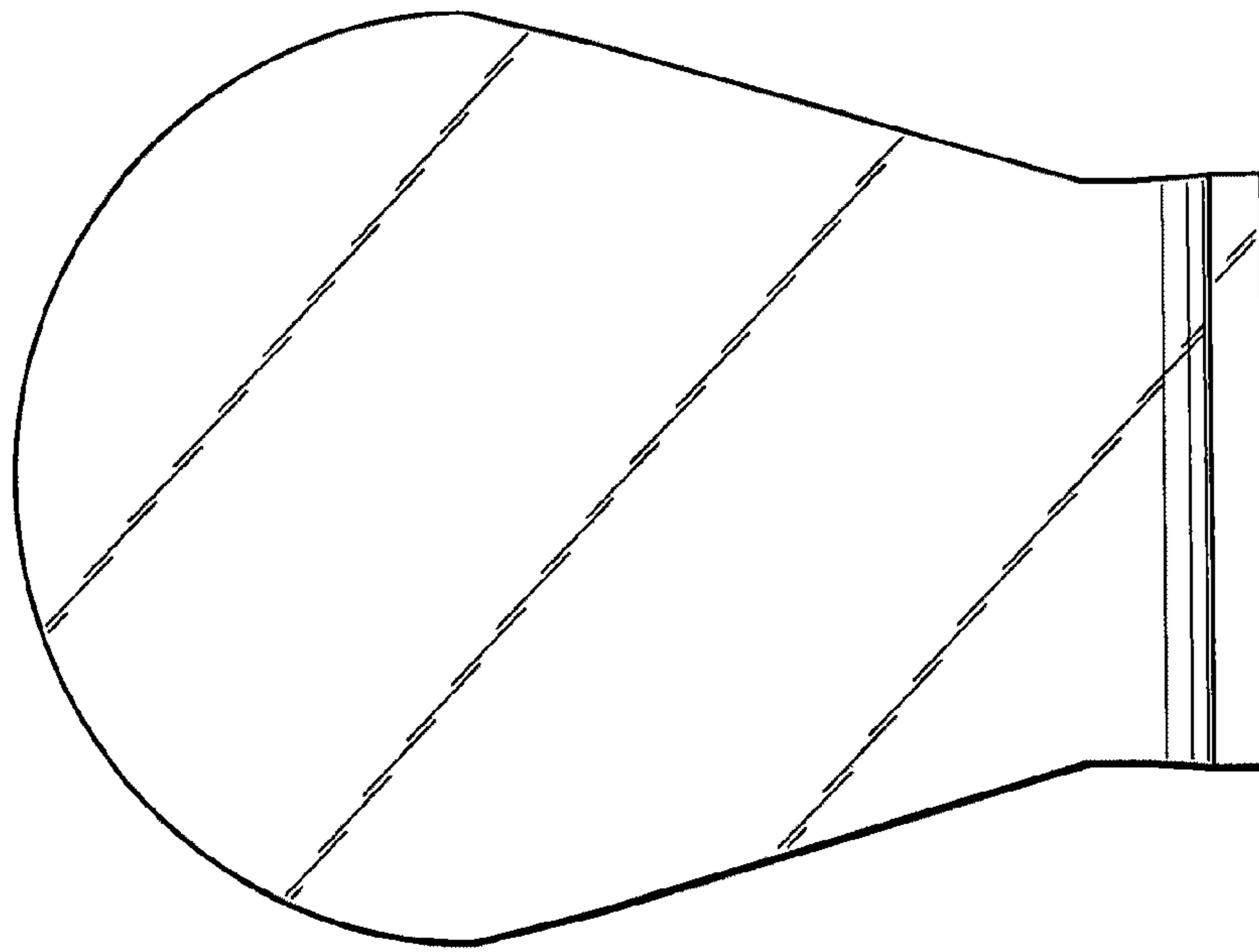


Fig. 4

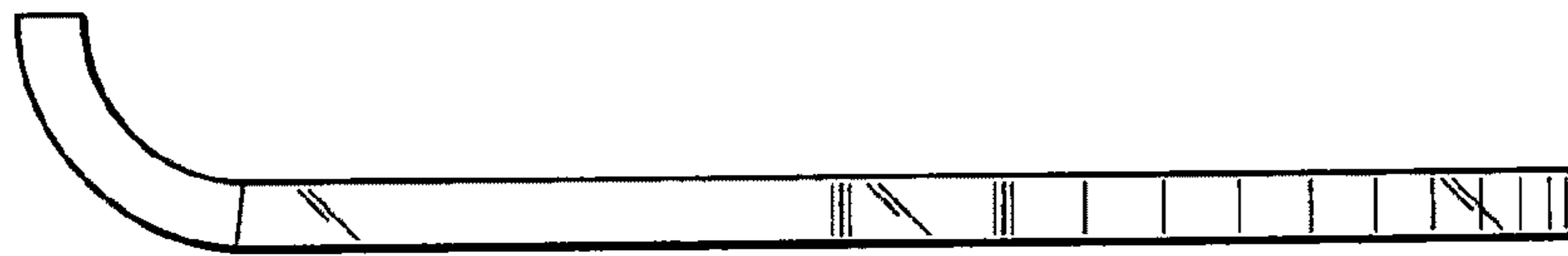


Fig. 5

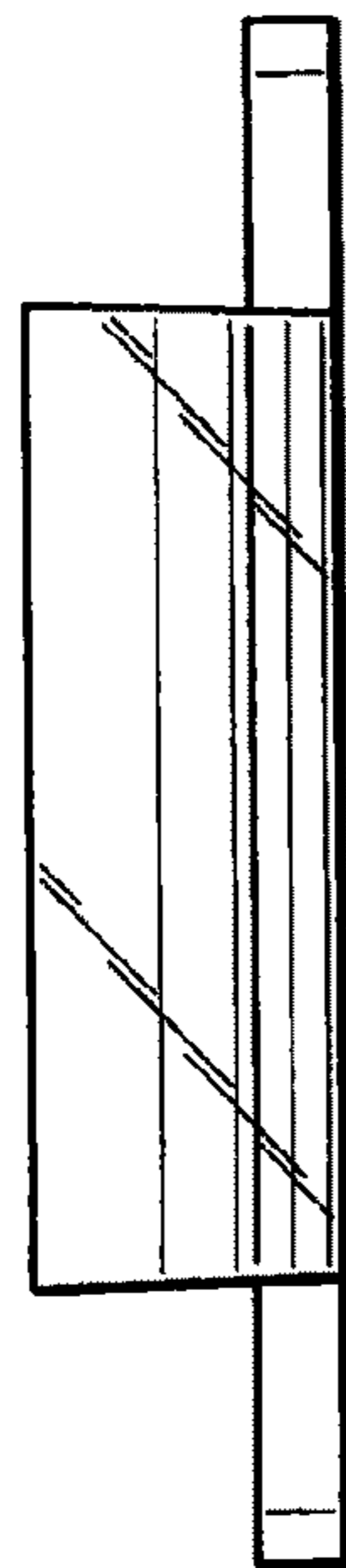


Fig. 6

