



US00D621989S

(12) **United States Design Patent**  
**Proner**

(10) **Patent No.:** **US D621,989 S**

(45) **Date of Patent:** **\*\* Aug. 17, 2010**

(54) **LIGHTING FIXTURE**

(75) Inventor: **Steven Proner**, Woodstock, NY (US)

(73) Assignee: **Picasso Lighting Industries LLC**, Mt. Vernon, NY (US)

(\*\*) Term: **14 Years**

(21) Appl. No.: **29/339,972**

(22) Filed: **Jul. 10, 2009**

(51) **LOC (9) Cl.** ..... **26-03**

(52) **U.S. Cl.** ..... **D26/76**

(58) **Field of Classification Search** ..... D26/26,  
D26/37, 67, 72, 74-79, 80, 85, 102, 104,  
D26/108, 118, 120, 122, 134; 362/147-148,  
362/150, 217-225, 132, 260, 262-264, 267,  
362/294, 345, 362, 364, 373, 376, 440; D25/68,  
D25/100, 119, 121-126, 132-134, 199; D6/474,  
D6/479, 491, 511, 574; 315/246; 182/48  
See application file for complete search history.

(56) **References Cited**

**U.S. PATENT DOCUMENTS**

|           |      |         |                   |       |         |
|-----------|------|---------|-------------------|-------|---------|
| 2,506,728 | A *  | 5/1950  | McGrath           | ..... | 220/612 |
| D232,257  | S *  | 7/1974  | Paulson           | ..... | D26/80  |
| D239,780  | S *  | 5/1976  | Paulson           | ..... | D26/102 |
| D361,398  | S *  | 8/1995  | Neall, III        | ..... | D26/67  |
| D446,332  | S *  | 8/2001  | Grossman          | ..... | D26/74  |
| D473,670  | S *  | 4/2003  | Kelmelis et al.   | ..... | D26/74  |
| D502,565  | S *  | 3/2005  | Hetfield          | ..... | D26/76  |
| D512,520  | S *  | 12/2005 | Wilmotte          | ..... | D25/126 |
| D519,237  | S *  | 4/2006  | Kopp              | ..... | D26/76  |
| 7,049,761 | B2 * | 5/2006  | Timmermans et al. | ..... | 315/246 |

|           |      |        |                   |       |         |
|-----------|------|--------|-------------------|-------|---------|
| D536,819  | S *  | 2/2007 | Krahe, II         | ..... | D26/75  |
| D563,002  | S *  | 2/2008 | Irizarry et al.   | ..... | D26/37  |
| D564,127  | S *  | 3/2008 | Pandorf et al.    | ..... | D26/118 |
| 7,510,299 | B2 * | 3/2009 | Timmermans et al. | ..... | 362/225 |
| D600,947  | S *  | 9/2009 | Wiegmann          | ..... | D6/491  |

\* cited by examiner

*Primary Examiner*—Philip S Hyder

*Assistant Examiner*—Susan E Krakower

(74) *Attorney, Agent, or Firm*—Kane Kessler, P.C.; Paul E. Szabo

(57) **CLAIM**

The ornamental design for a lighting fixture, as shown and described.

**DESCRIPTION**

FIG. 1 is a perspective view of a lighting fixture showing the invention.

FIG. 2 is a top plan view of the lighting fixture of FIG. 1.

FIG. 3 is a side elevational view of the lighting fixture of FIG. 1. Both sides are the same.

FIG. 4 is a bottom plan view of the lighting fixture of FIG. 1.

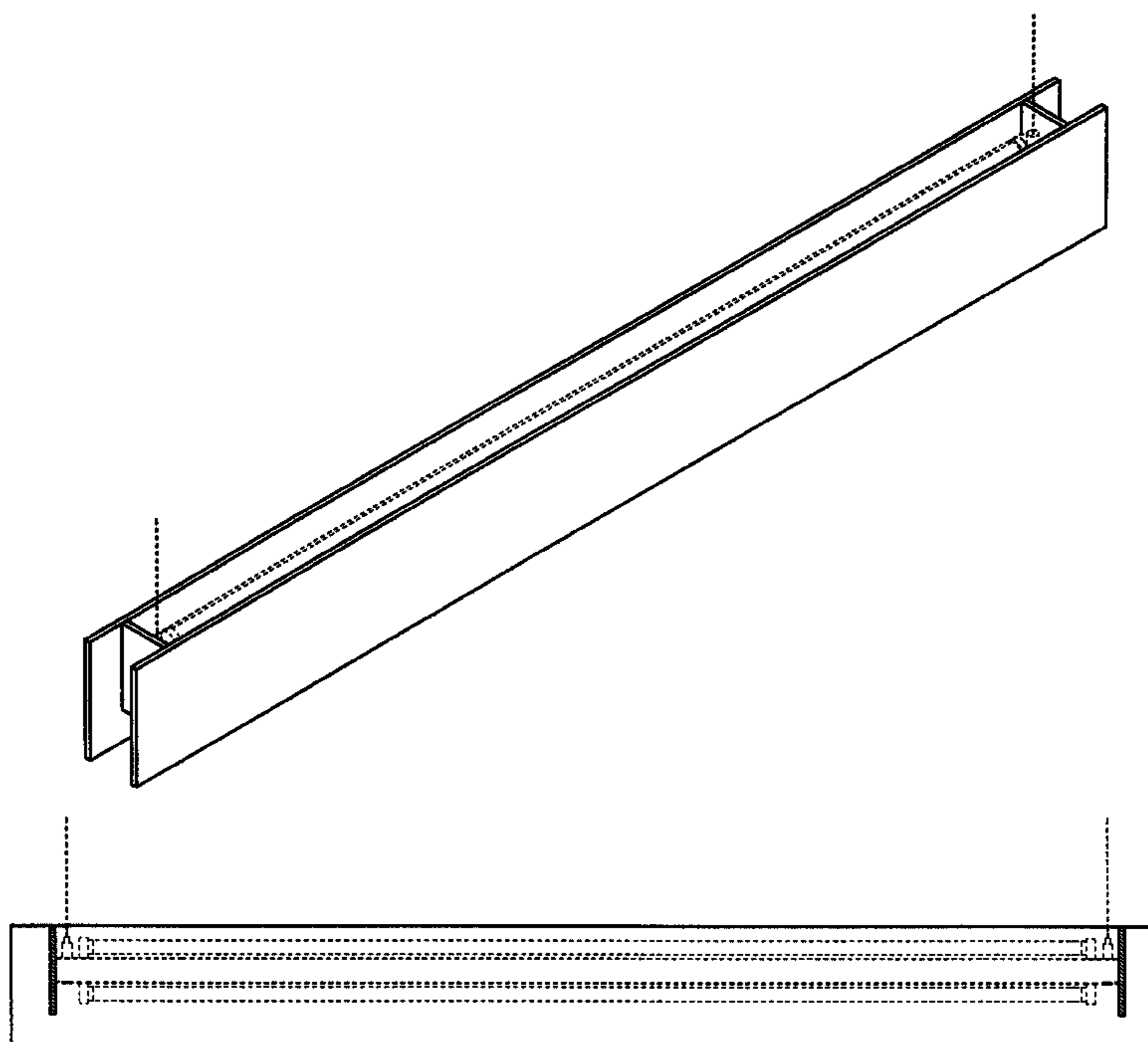
FIG. 5 is an end view of the lighting fixture of FIG. 1. Both ends are the same.

FIG. 6 is a cross-sectional view of the lighting fixture of FIG. 1, taken along line 6—6 of FIG. 2; and,

FIG. 7 is a cross-sectional view of the lighting fixture of FIG. 1, taken along line 7—7 of FIG. 2.

The broken lines show environmental subject matter and form no part of the claimed design.

**1 Claim, 2 Drawing Sheets**



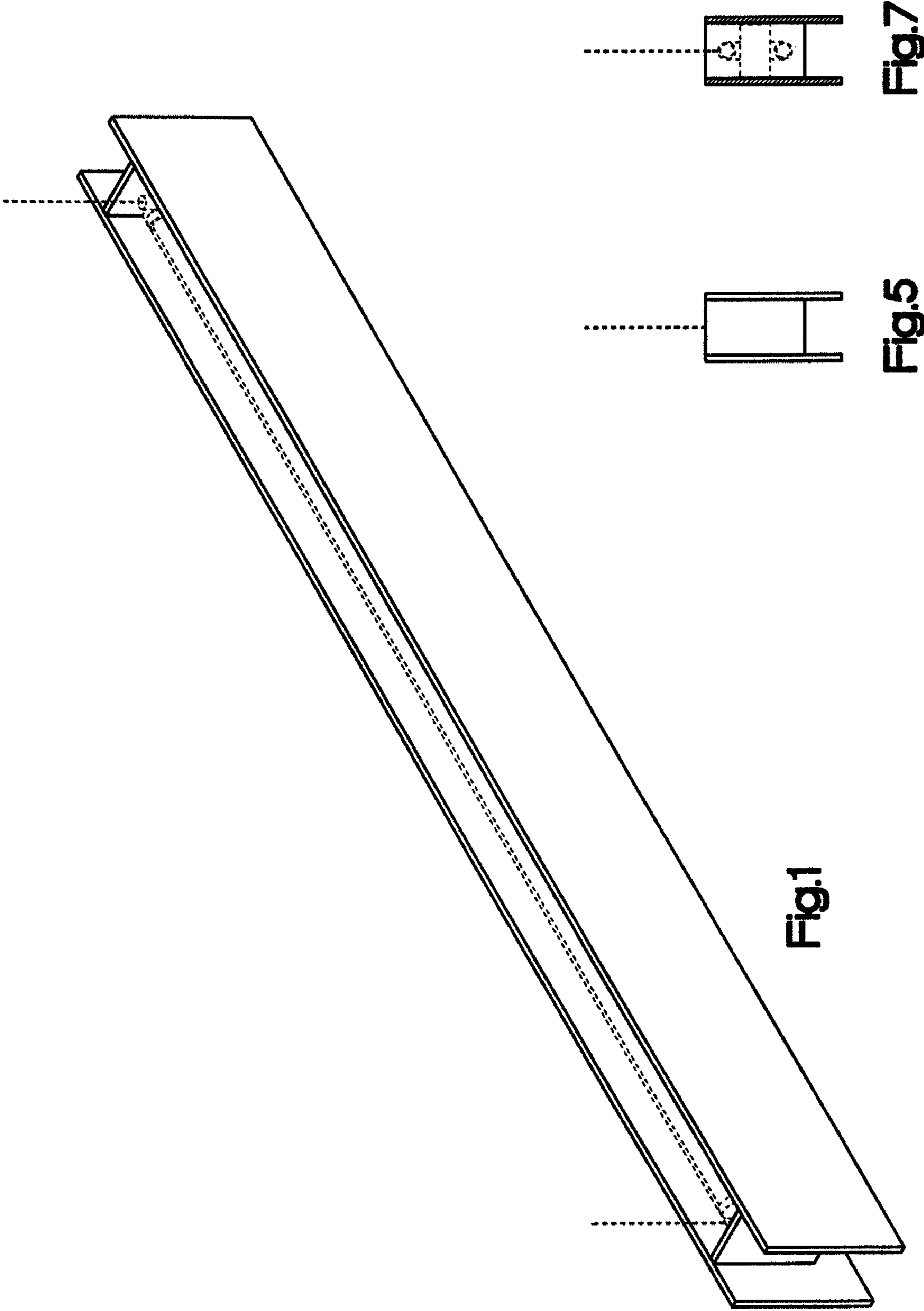


Fig.2

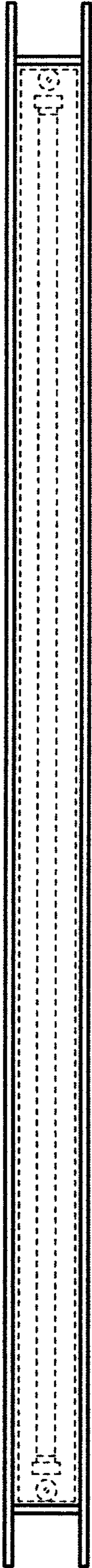


Fig.3

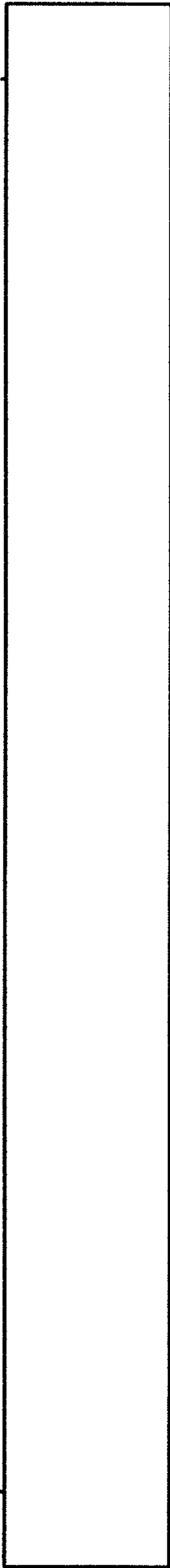


Fig.4

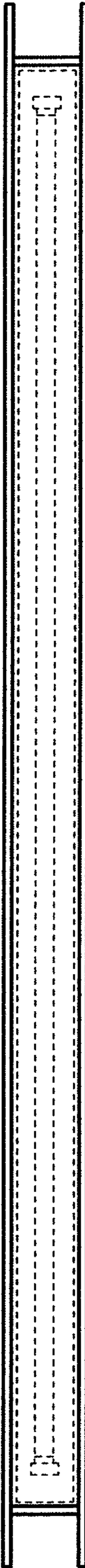


Fig.6

