



US00D621988S

(12) **United States Design Patent**
Zheng et al.

(10) **Patent No.:** **US D621,988 S**

(45) **Date of Patent:** **** Aug. 17, 2010**

(54) **LED LAMP**

(75) Inventors: **Shi-Song Zheng**, Shenzhen (CN);
Zhong-Qing Wang, Shenzhen (CN);
Chin-Chung Chen, Taipei Hsien (TW)

(73) Assignee: **Foxconn Technology Co., Ltd.**,
Tu-Cheng, Taipei Hsien (TW)

(**) Term: **14 Years**

(21) Appl. No.: **29/354,727**

(22) Filed: **Jan. 28, 2010**

(30) **Foreign Application Priority Data**

Dec. 9, 2009 (CN) 200930328425

(51) **LOC (9) Cl.** **26-05**

(52) **U.S. Cl.** **D26/71**

(58) **Field of Classification Search** D26/67-71,
D26/85, 92; 362/145, 183, 249.02, 249.03,
362/249.04, 249.06, 249.16, 231, 431
See application file for complete search history.

(56) **References Cited**

U.S. PATENT DOCUMENTS

D391,659 S * 3/1998 Gaskins et al. D26/71
7,430,120 B2 * 9/2008 Lau 362/431
D580,582 S * 11/2008 Fan D26/71

7,682,055 B2 * 3/2010 Shuai et al. 362/373
D614,790 S * 4/2010 Nibaldi D26/71
2009/0244895 A1 * 10/2009 Chen 362/249.02
2009/0251898 A1 * 10/2009 Kinnune et al. 362/249.02
2009/0296386 A1 * 12/2009 Wang et al. 362/249.02
2009/0310363 A1 * 12/2009 Liu et al. 362/249.02
2010/0002438 A1 * 1/2010 Zhang et al. 362/249.02
2010/0053966 A1 * 3/2010 Tu et al. 362/249.02
2010/0073930 A1 * 3/2010 Vanden Eynden
et al. 362/249.02

* cited by examiner

Primary Examiner—Clare E Heflin

(74) *Attorney, Agent, or Firm*—Frank R. Niranjana

(57) **CLAIM**

The ornamental design for an LED lamp, as shown.

DESCRIPTION

FIG. 1 is a perspective view of an LED lamp showing our new design.

FIG. 2 is a front elevational view thereof.

FIG. 3 is a rear elevational view thereof.

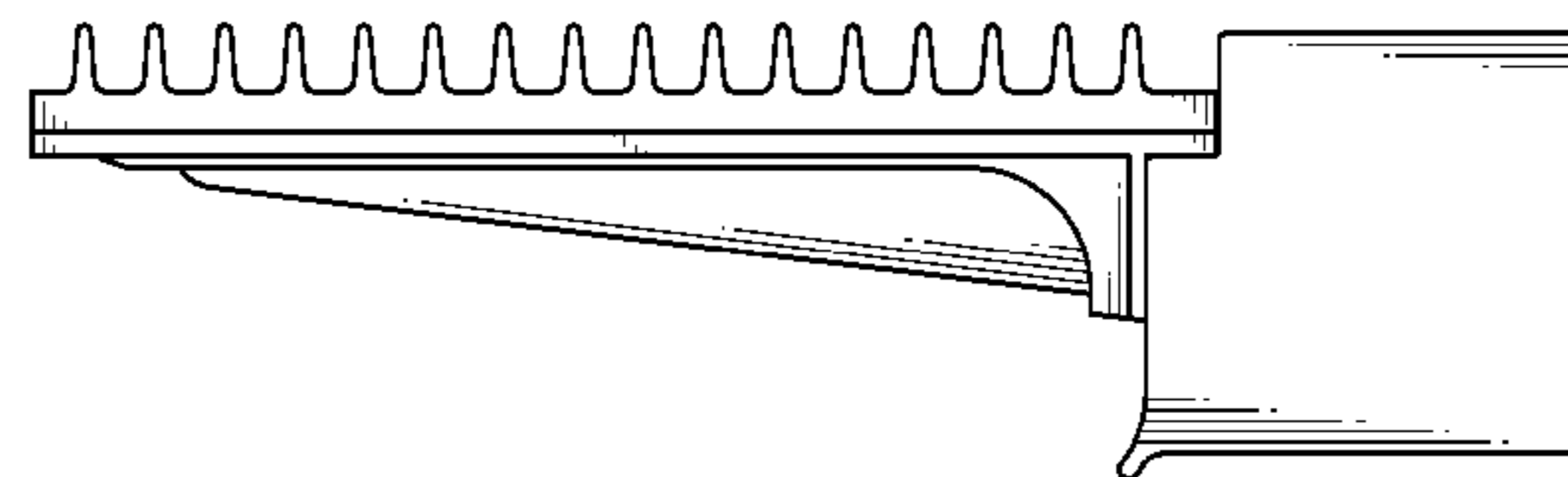
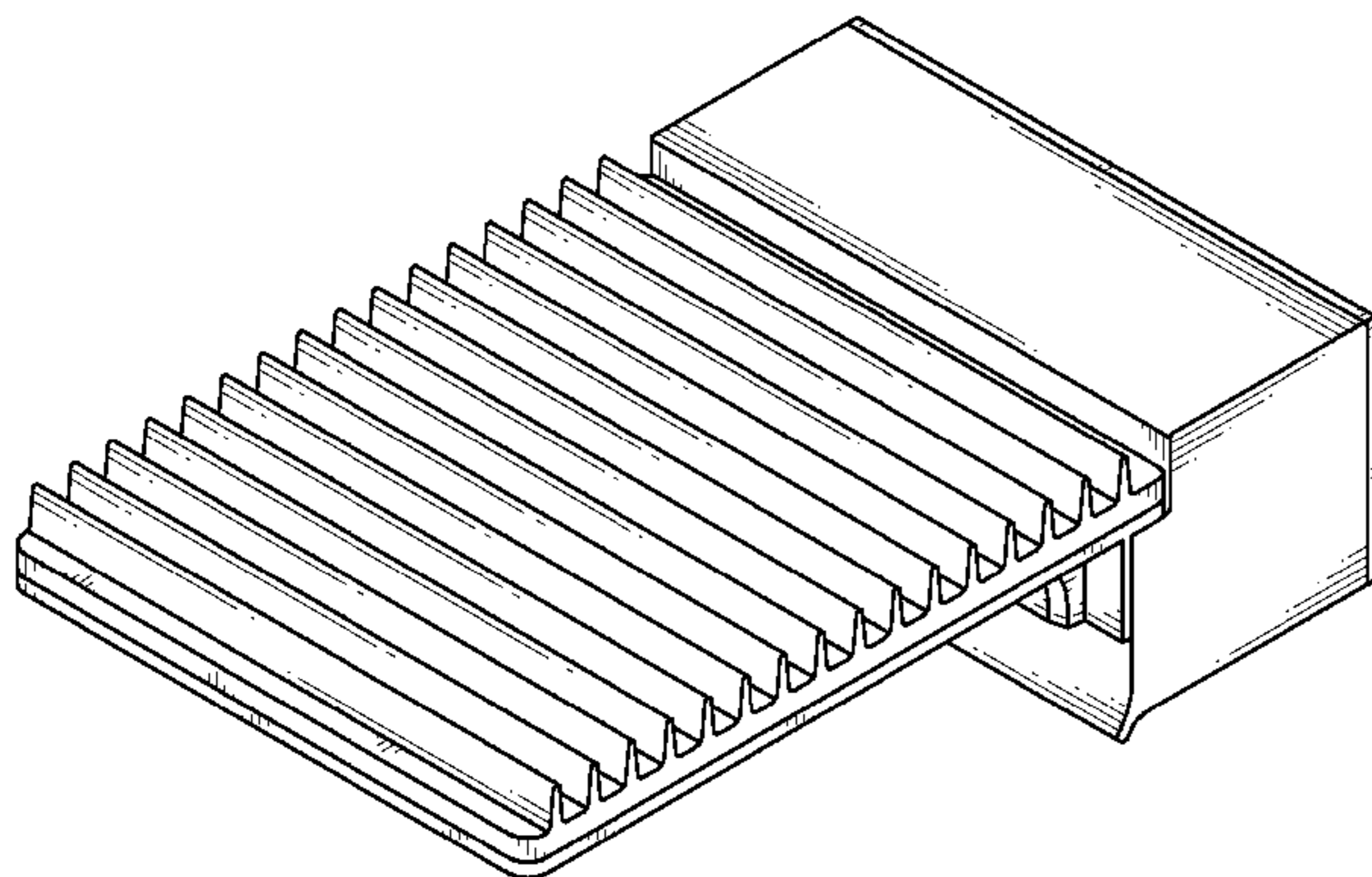
FIG. 4 is a left-side, elevational view thereof.

FIG. 5 is a right-side, elevational view thereof.

FIG. 6 is a top plan view thereof; and,

FIG. 7 is a bottom plan view thereof.

1 Claim, 7 Drawing Sheets



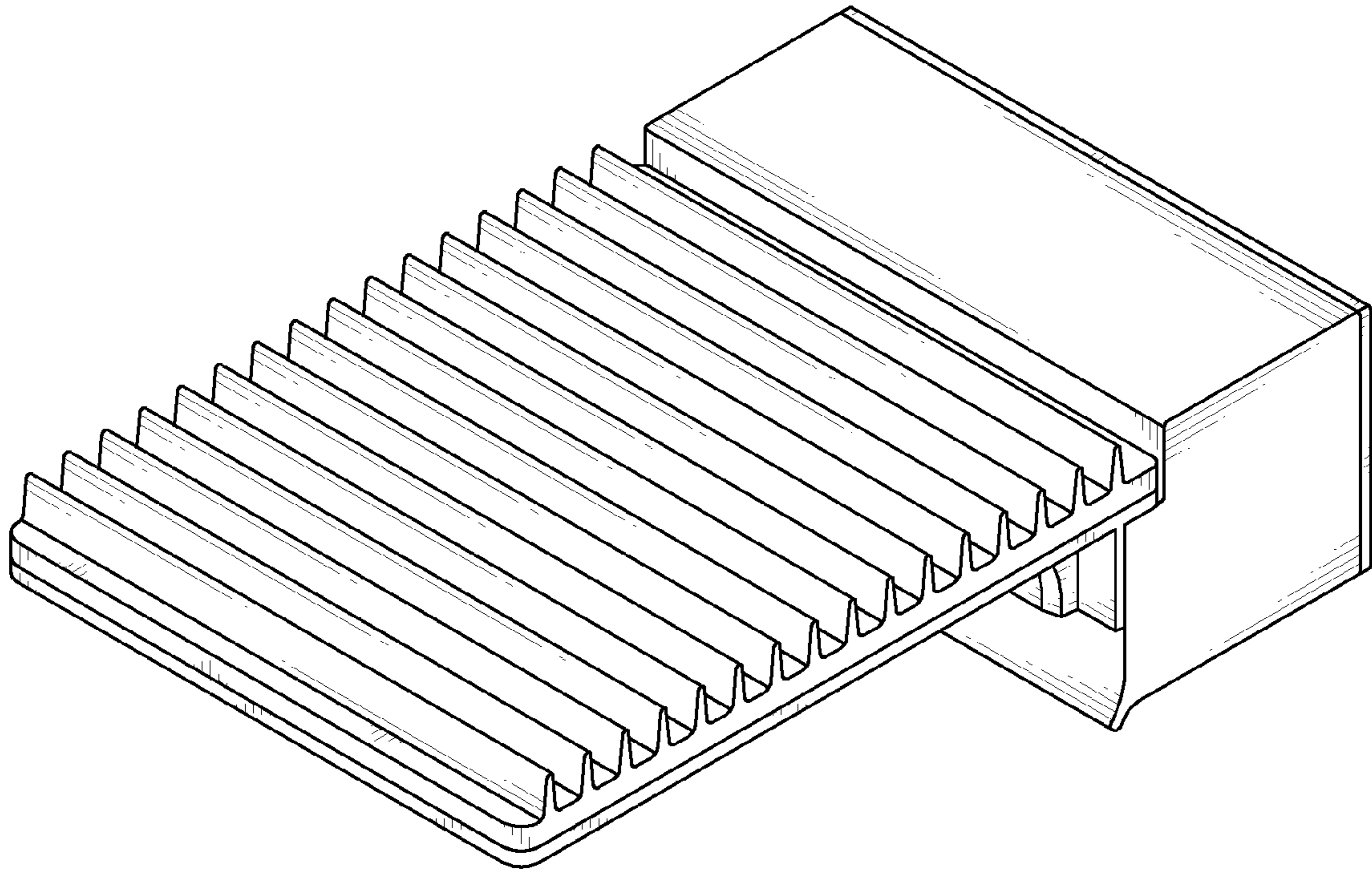


FIG. 1

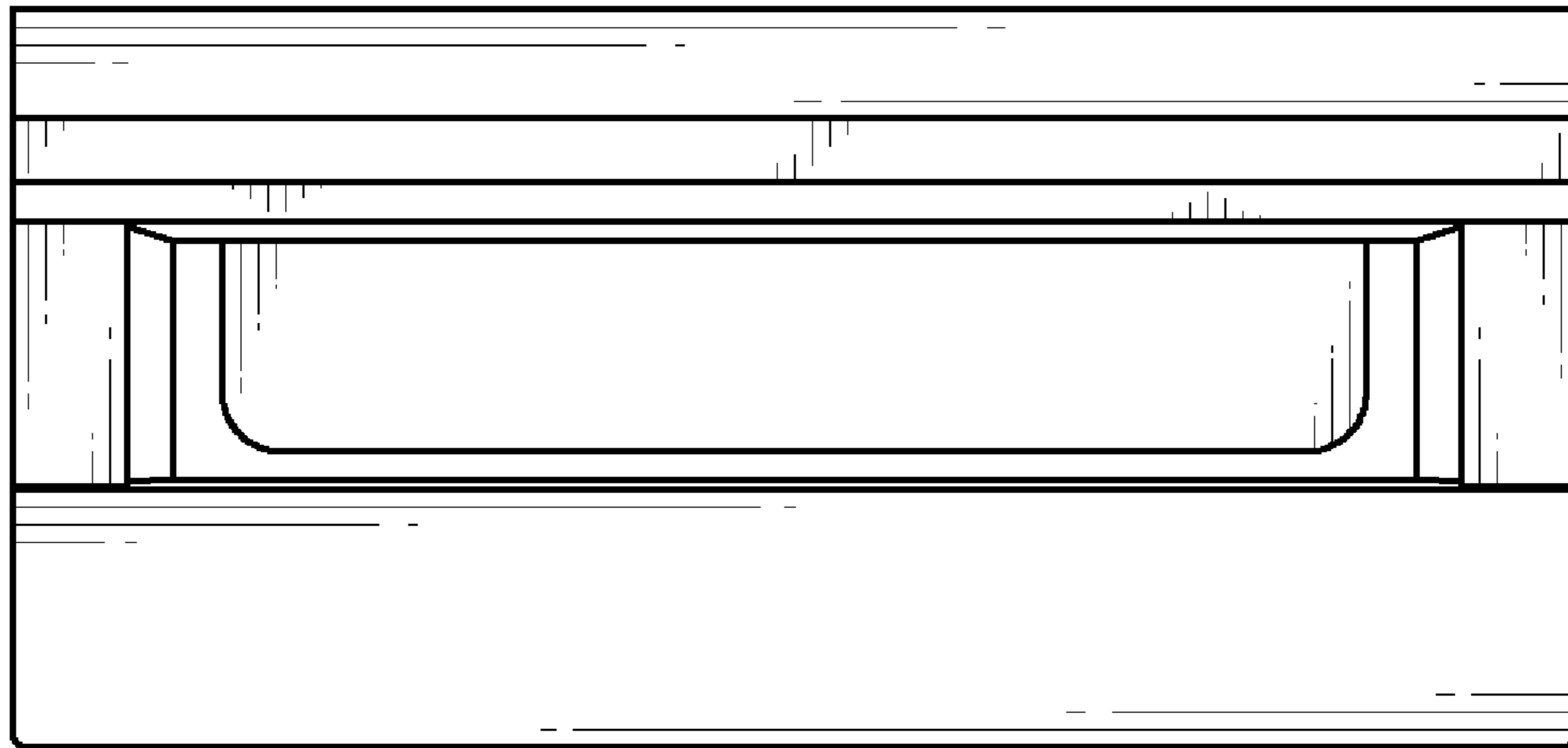


FIG. 2

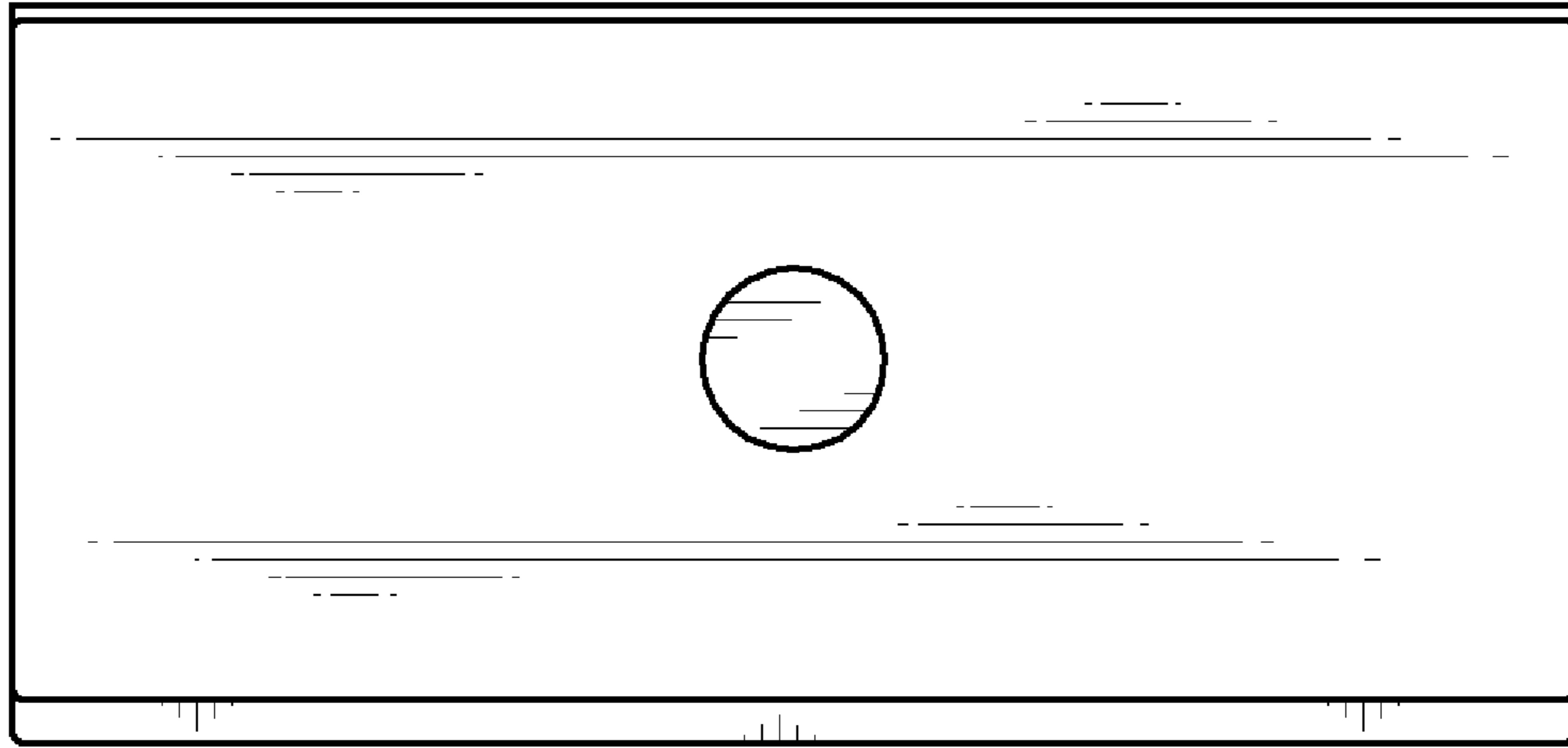


FIG. 3

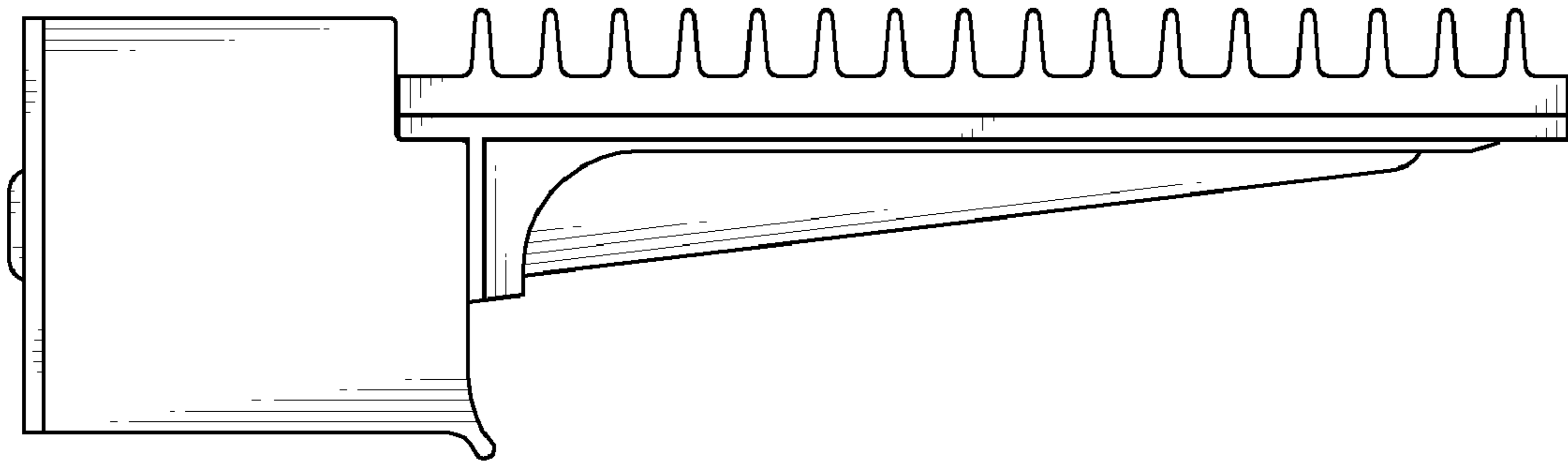


FIG. 4

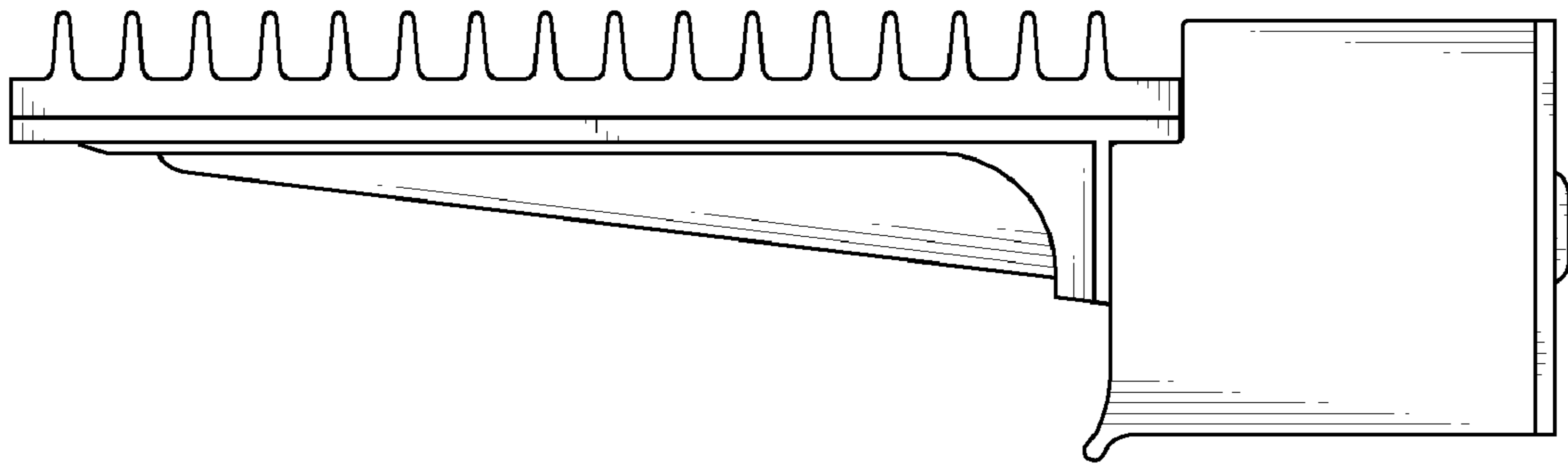


FIG. 5

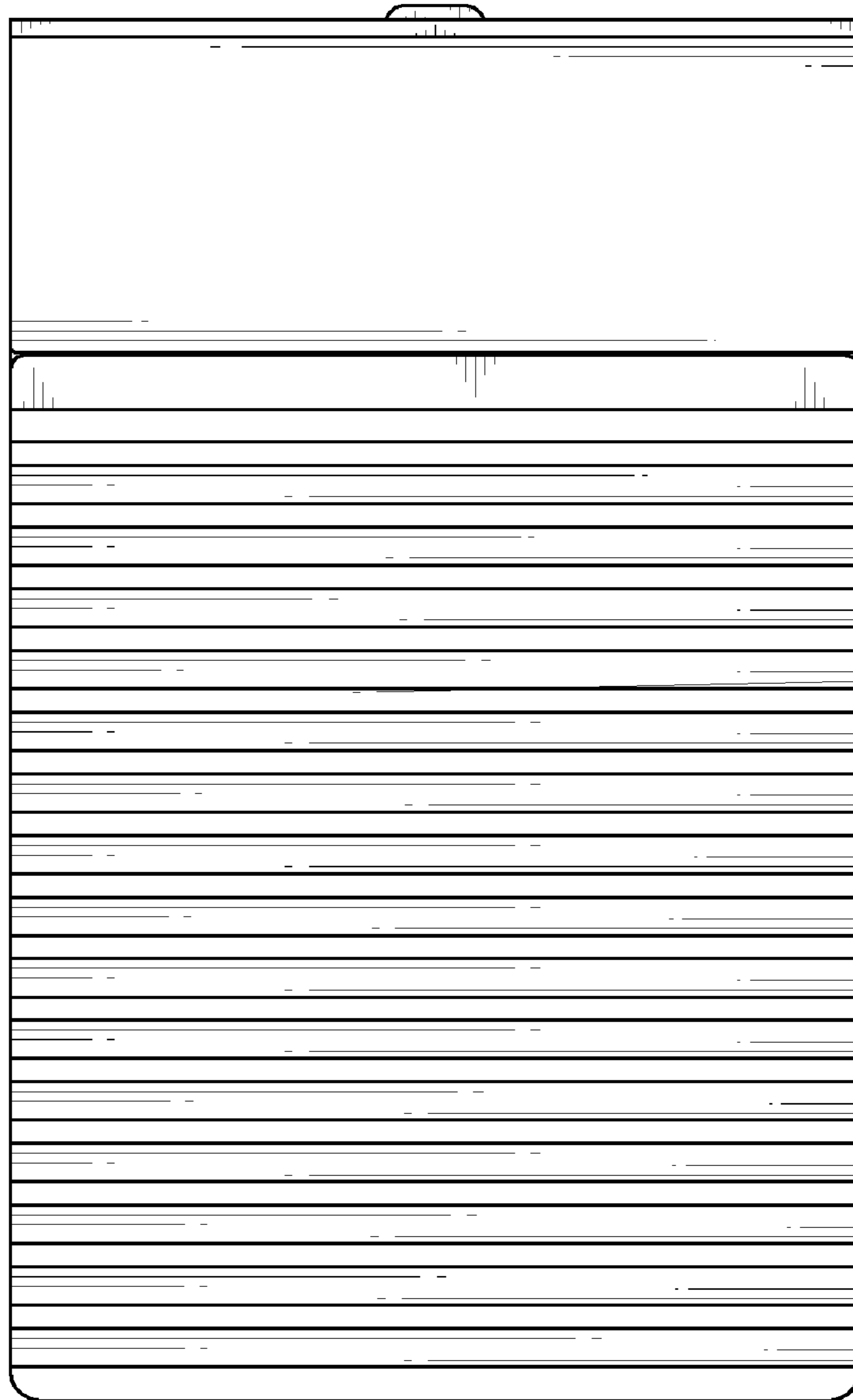


FIG. 6

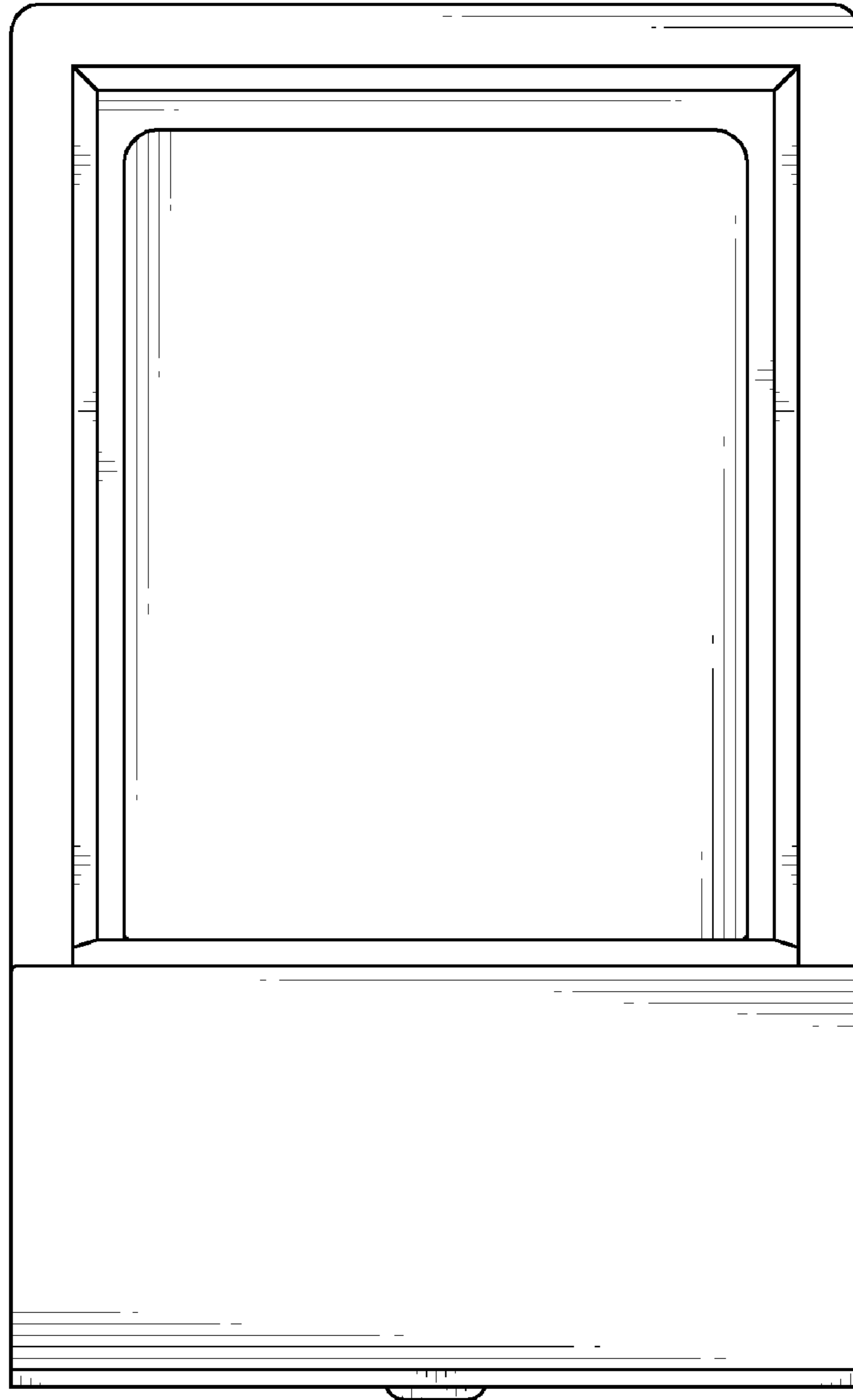


FIG. 7