



US00D621986S

(12) **United States Design Patent**  
**Yan**

(10) **Patent No.:** **US D621,986 S**

(45) **Date of Patent:** **\*\* Aug. 17, 2010**

(54) **STREET LAMP**

(75) Inventor: **Rong-Yih Yan, Miao-Li Hsien (TW)**

(73) Assignee: **Foxsemicon Integrated Technology, Inc., Chu-Nan, Miao-Li Hsien (TW)**

(\*\*) Term: **14 Years**

(21) Appl. No.: **29/353,519**

(22) Filed: **Jan. 11, 2010**

(30) **Foreign Application Priority Data**

Aug. 18, 2009 (CN) ..... 2009 3 0312078

(51) **LOC (9) Cl.** ..... **26-05**

(52) **U.S. Cl.** ..... **D26/69**

(58) **Field of Classification Search** ..... D26/67-71,  
D26/85, 92; 362/145, 183, 249.02, 249.03,  
362/249.04, 249.06, 249.16, 231, 431  
See application file for complete search history.

(56) **References Cited**

**U.S. PATENT DOCUMENTS**

D198,183 S \* 5/1964 Akely ..... D26/71  
D207,551 S \* 5/1967 Spaulding et al. .... D26/71  
6,250,774 B1 \* 6/2001 Begemann et al. .... 362/231  
D598,598 S \* 8/2009 Zhou et al. .... D26/68

D614,318 S \* 4/2010 Lodhie ..... D26/1  
7,690,813 B2 \* 4/2010 Kanamori et al. .... 362/249.02  
7,699,498 B2 \* 4/2010 Zheng ..... 362/249.02  
2008/0285282 A1 \* 11/2008 Karman et al. .... 362/252  
2009/0185374 A1 \* 7/2009 Wu et al. .... 362/249.06  
2009/0237931 A1 \* 9/2009 Liu et al. .... 362/240  
2009/0268463 A1 \* 10/2009 Huang et al. .... 362/249.02  
2009/0290347 A1 \* 11/2009 Lodhie ..... 362/249.02

\* cited by examiner

*Primary Examiner*—Clare E Heflin

(74) *Attorney, Agent, or Firm*—Raymond J. Chew

(57) **CLAIM**

The ornamental design for a street lamp, as shown.

**DESCRIPTION**

FIG. 1 is a perspective view of a LED street lamp in one operational state.

FIG. 2 is a front elevational view thereof.

FIG. 3 is a rear elevational view thereof.

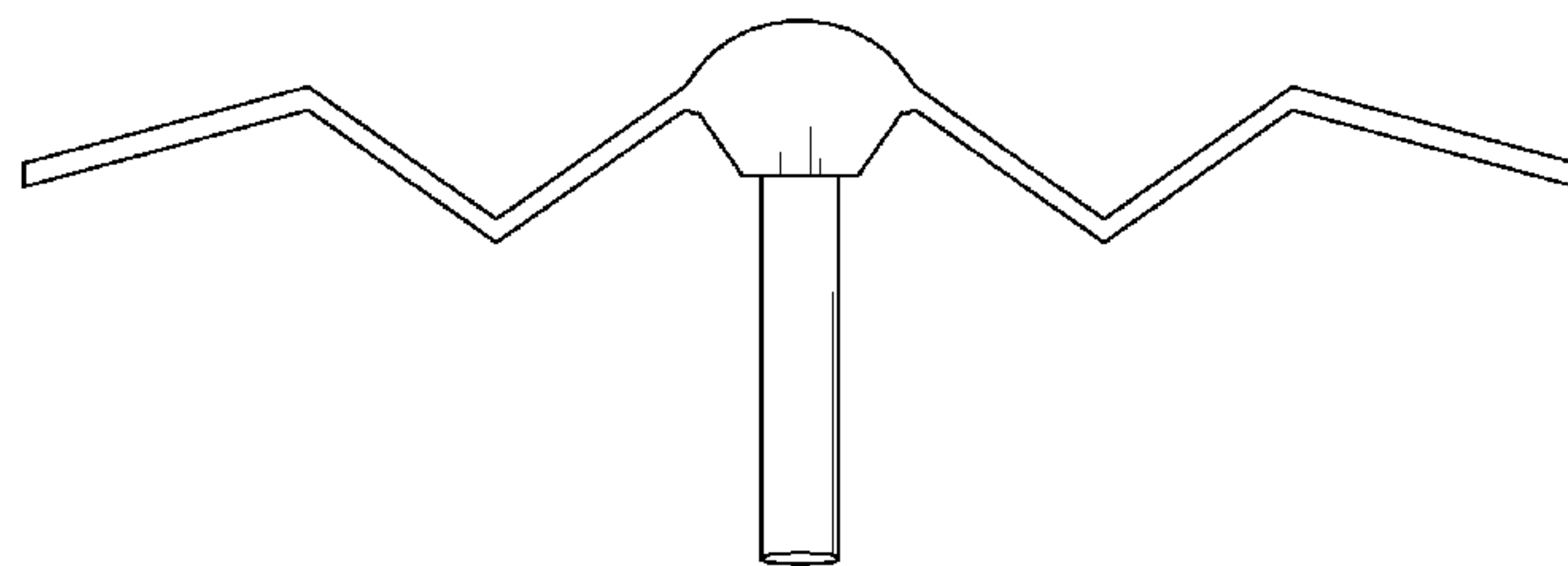
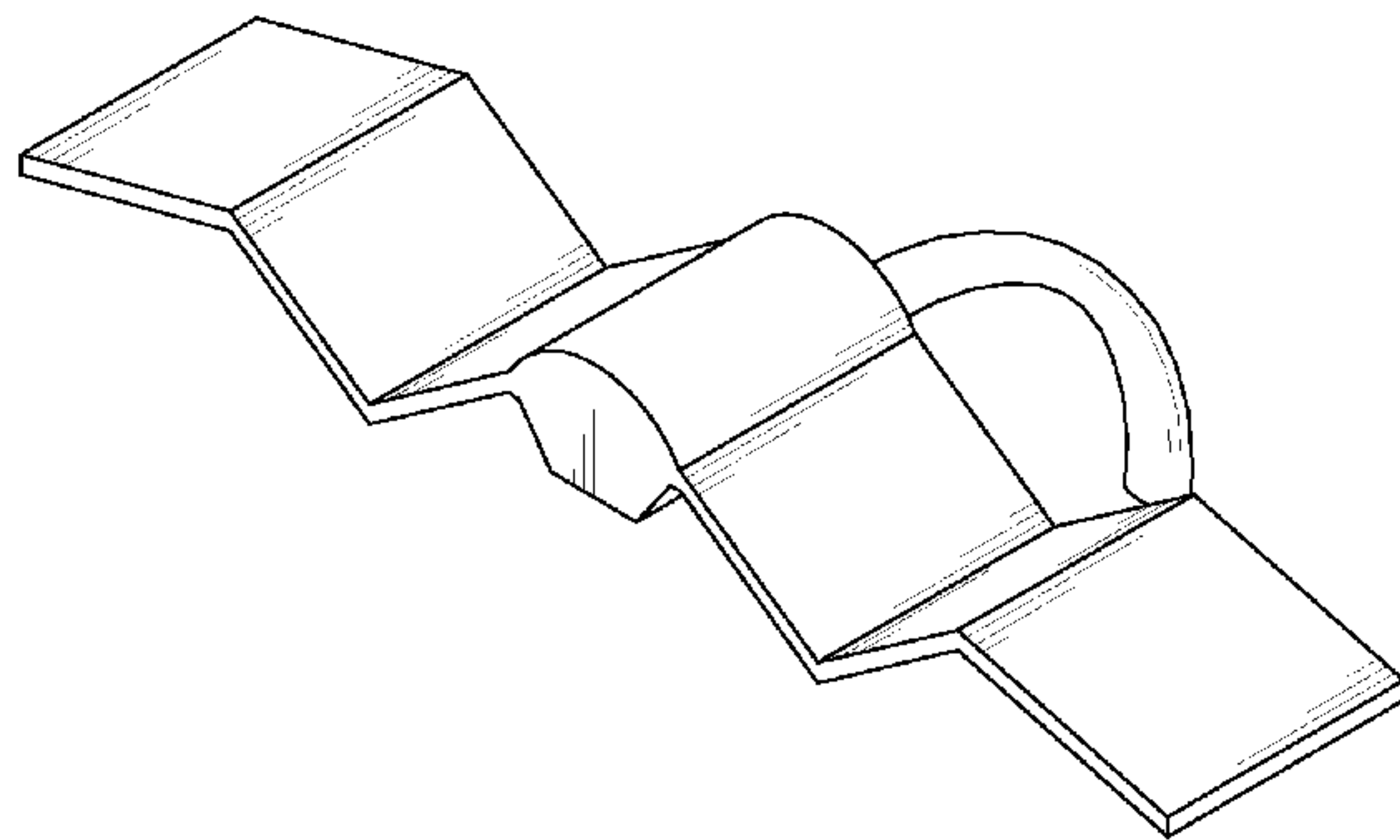
FIG. 4 is a left-side, elevational view thereof.

FIG. 5 is a right-side, elevational view thereof.

FIG. 6 is a top plan view thereof; and,

FIG. 7 is a bottom plan view thereof.

**1 Claim, 7 Drawing Sheets**



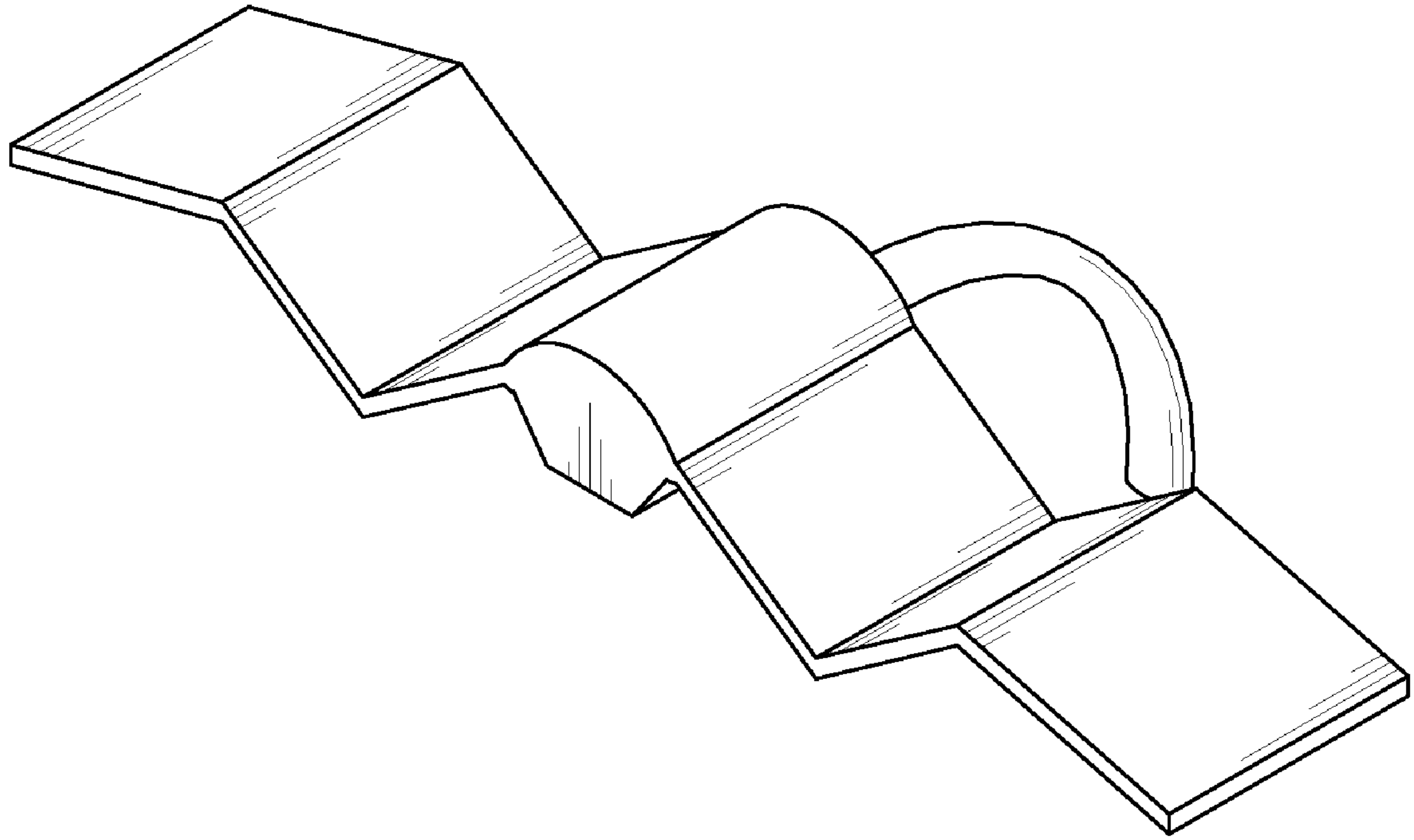


FIG. 1

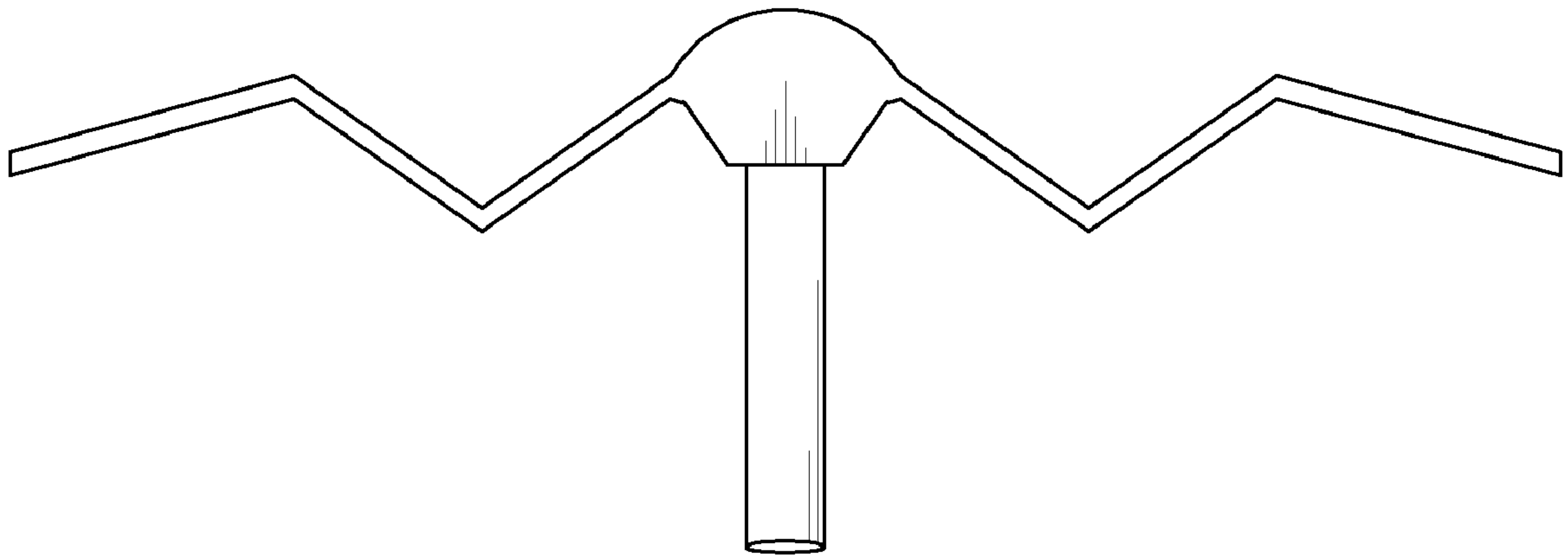


FIG. 2

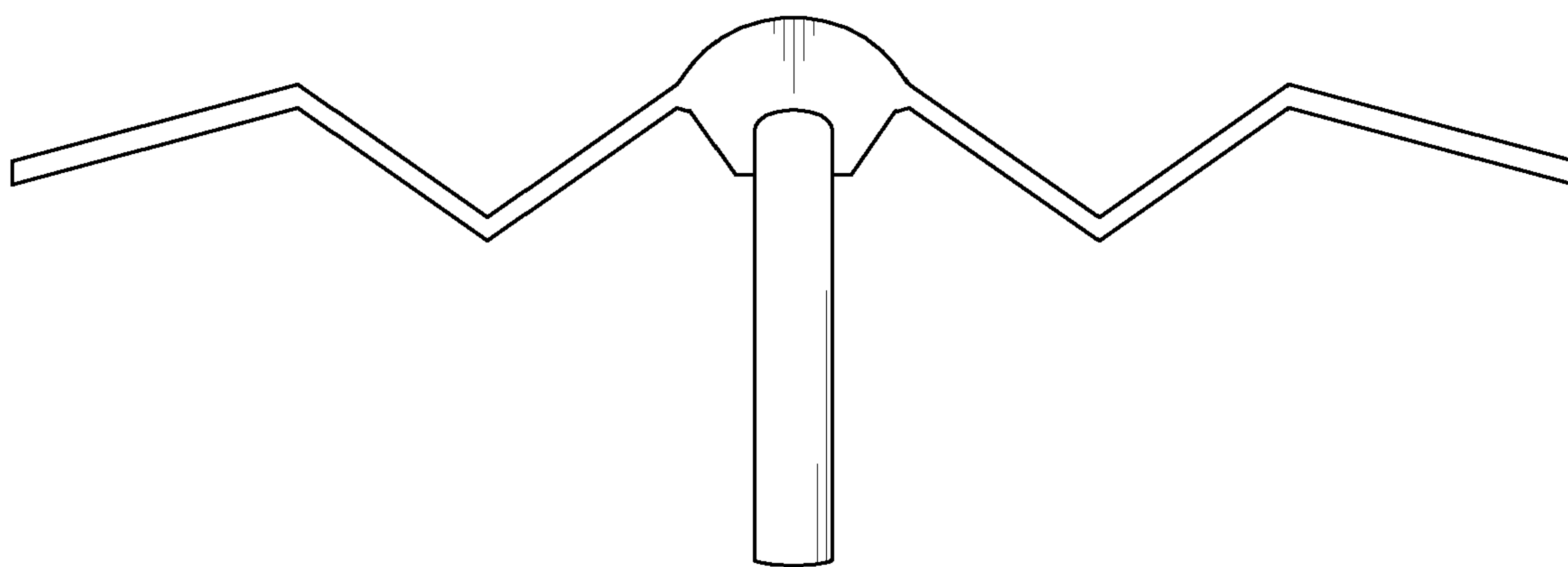


FIG. 3

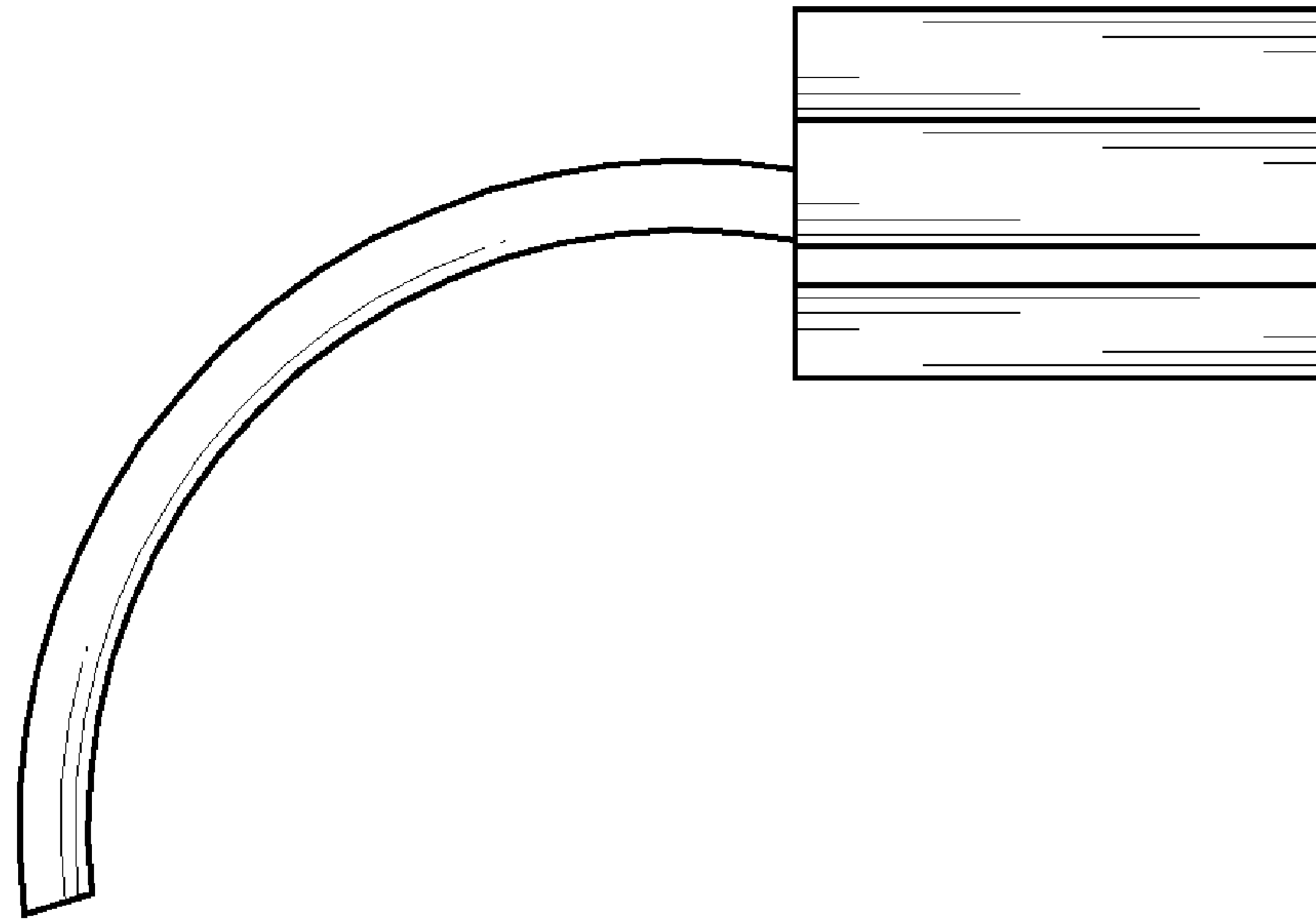


FIG. 4

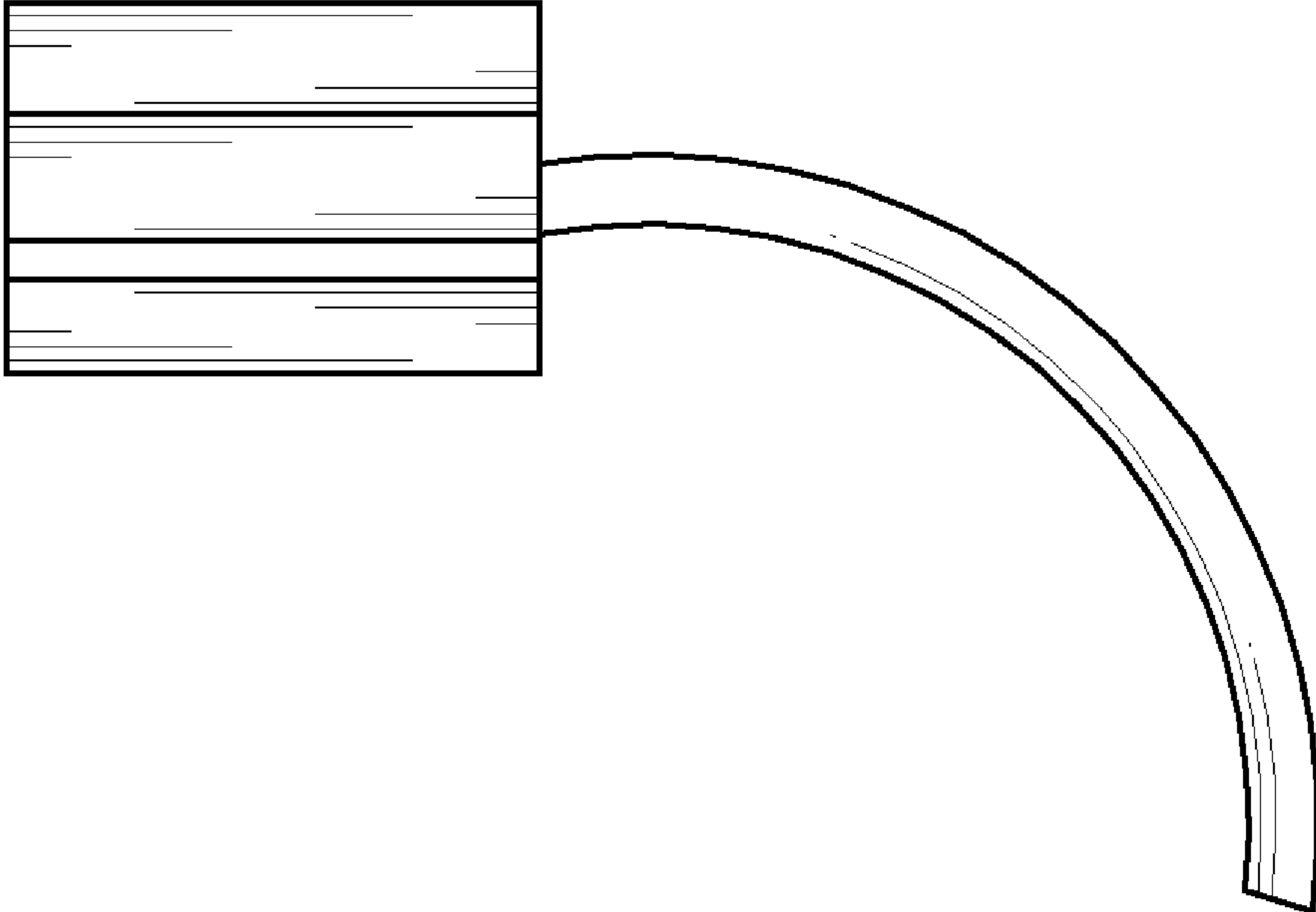


FIG. 5

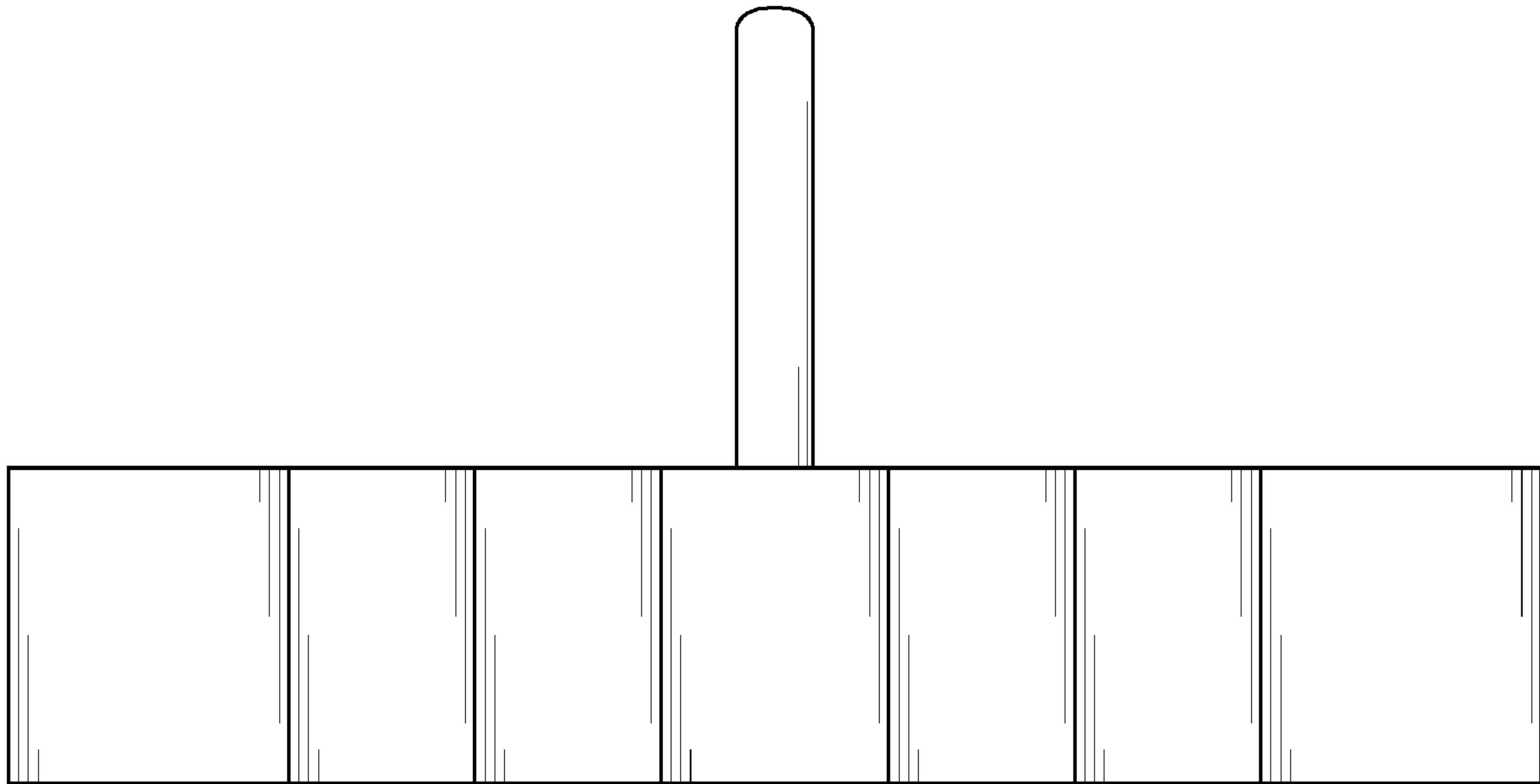


FIG. 6

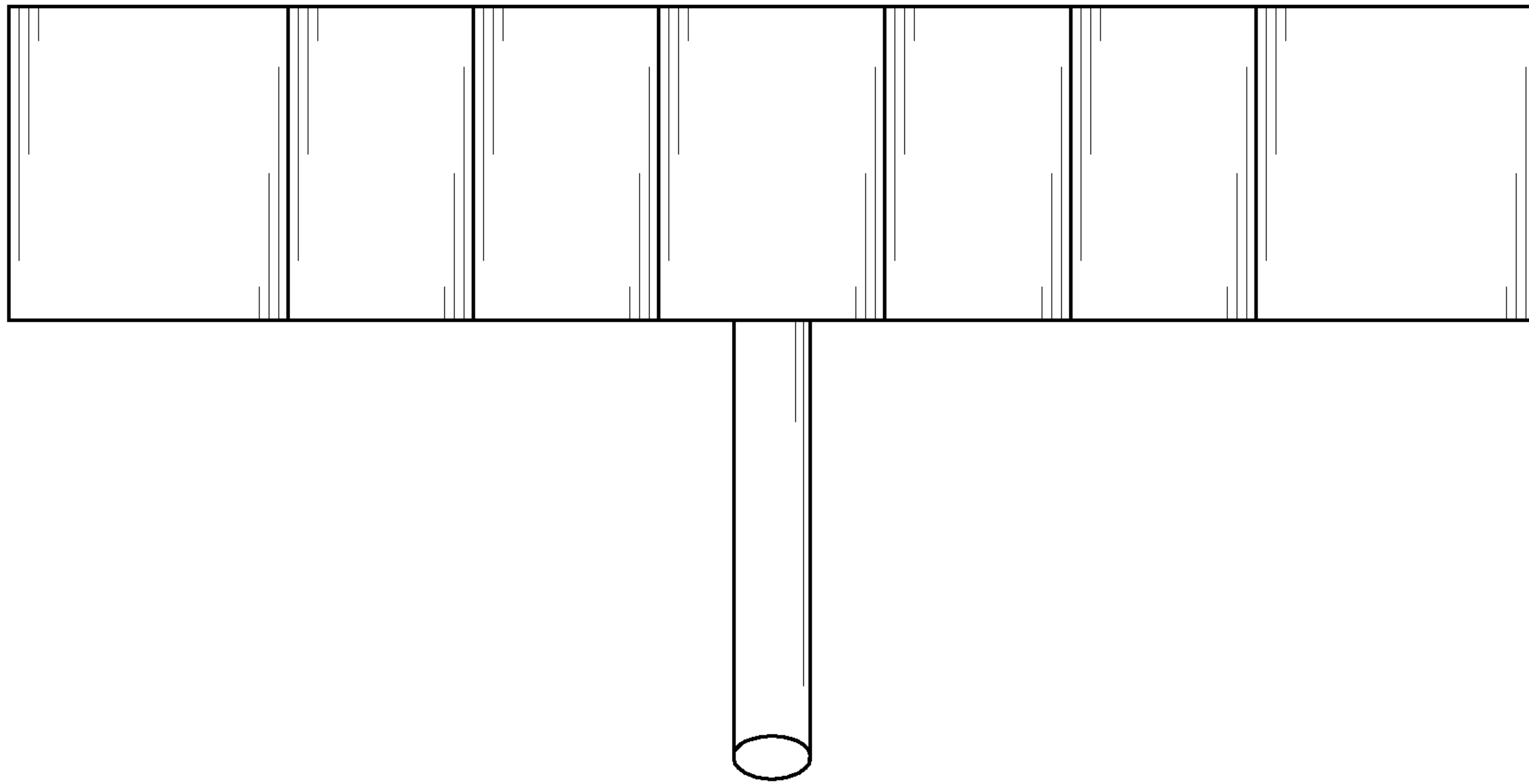


FIG. 7