



US00D621984S

(12) **United States Design Patent**
Mier-Langner et al.

(10) **Patent No.:** **US D621,984 S**

(45) **Date of Patent:** **** Aug. 17, 2010**

(54) **TRACK FIXTURE LUMINAIRE**

(75) Inventors: **Alejandro Mier-Langner**, Providence, RI (US); **James E. Kuchar**, Fall River, MA (US)

(73) Assignee: **Genlyte Thomas Group, LLC**, Burlington, MA (US)

(**) Term: **14 Years**

(21) Appl. No.: **29/351,053**

(22) Filed: **Nov. 30, 2009**

Related U.S. Application Data

(63) Continuation of application No. 29/317,782, filed on May 6, 2008, now Pat. No. Des. 605,323.

(51) **LOC (9) Cl.** **26-05**

(52) **U.S. Cl.** **D26/63; D26/138**

(58) **Field of Classification Search** D26/60, D26/61, 62, 63, 64, 65, 66, 72, 81, 88, 89, D26/90, 91, 154, 24, 44, 77, 119, 121, 152, D26/75, 85, 138, 140, 155; 362/145, 147, 362/148, 150, 218, 220, 223, 648, 227, 238, 362/239, 249, 250, 372, 418, 430, 269, 270, 362/271, 272, 273, 274, 277, 278, 282, 283, 362/285, 287, 288, 290, 309, 427

See application file for complete search history.

(56) **References Cited**

U.S. PATENT DOCUMENTS

D313,481 S * 1/1991 Fremont et al. D26/63

D323,719 S * 2/1992 Wereley D26/140

D326,928 S * 6/1992 Wereley D26/140
D351,676 S * 10/1994 Phleps D26/63
5,584,576 A * 12/1996 Wei Hong 362/396
D439,998 S * 4/2001 Lin D26/63
D481,158 S * 10/2003 Cline D26/138
D481,159 S * 10/2003 Walker D26/138
D482,490 S * 11/2003 Fickas et al. D26/138
D488,880 S * 4/2004 Rahn D26/72
D605,323 S * 12/2009 Mier-Langner et al. D26/63
D605,324 S * 12/2009 Mier-Langner et al. D26/63
2006/0013009 A1 * 1/2006 Falco 362/418

* cited by examiner

Primary Examiner—Jennifer Rivard

Assistant Examiner—Angela J Lee

(57) **CLAIM**

The ornamental design for a track fixture luminaire, as shown and described.

DESCRIPTION

FIG. 1 is a perspective view of the track fixture luminaire of the present invention;

FIG. 2 is a front view of the design of the present invention;

FIG. 3 is a rear view of the design of the present invention;

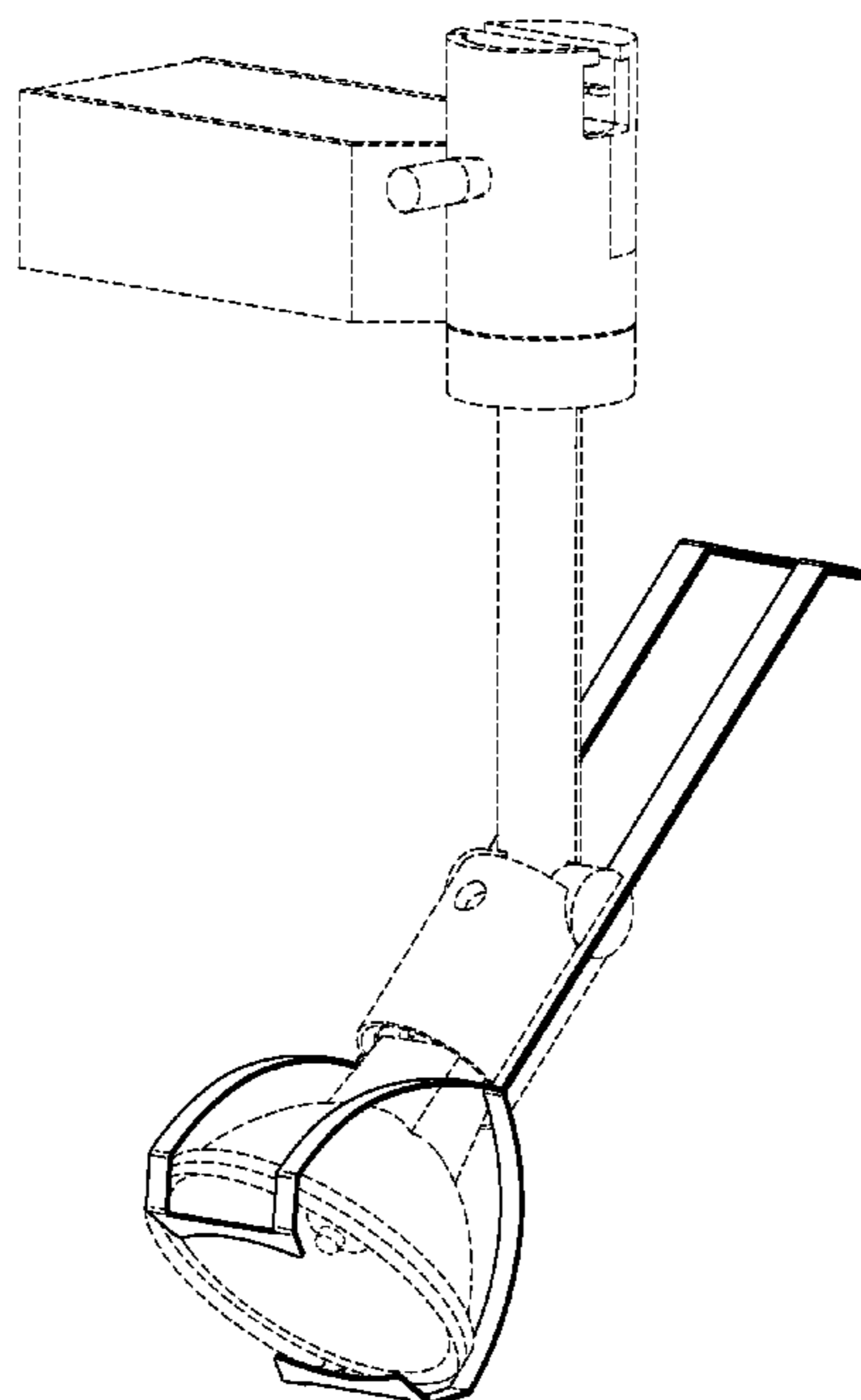
FIG. 4 is a left side view of the design of the present invention;

FIG. 5 is a right side view of the design of the present invention; and,

FIG. 6 is a bottom view of the design of the present invention.

The broken lines showing environmental structure are for illustrative purposes only and form no part of the claimed design.

1 Claim, 6 Drawing Sheets



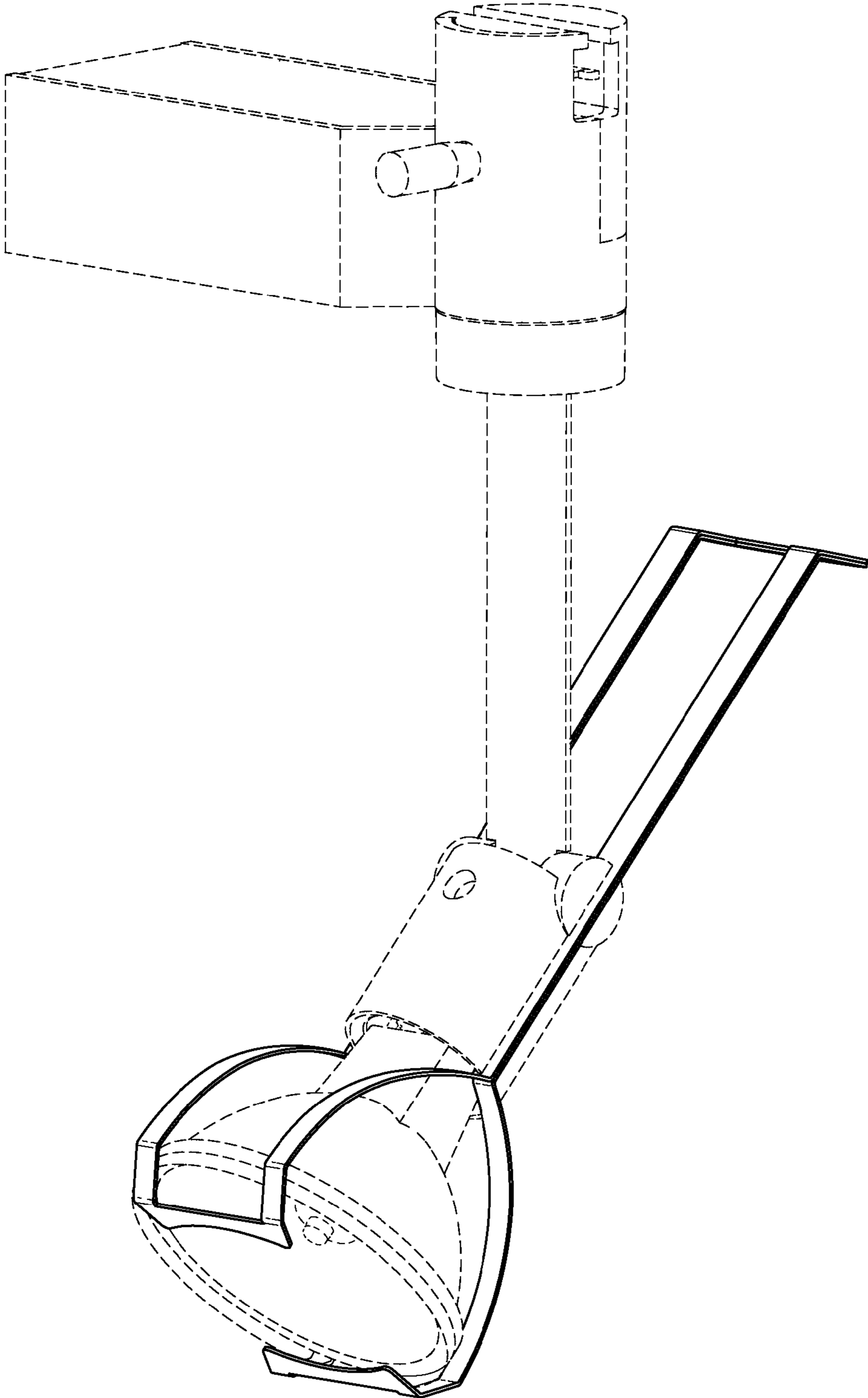


FIG. 1

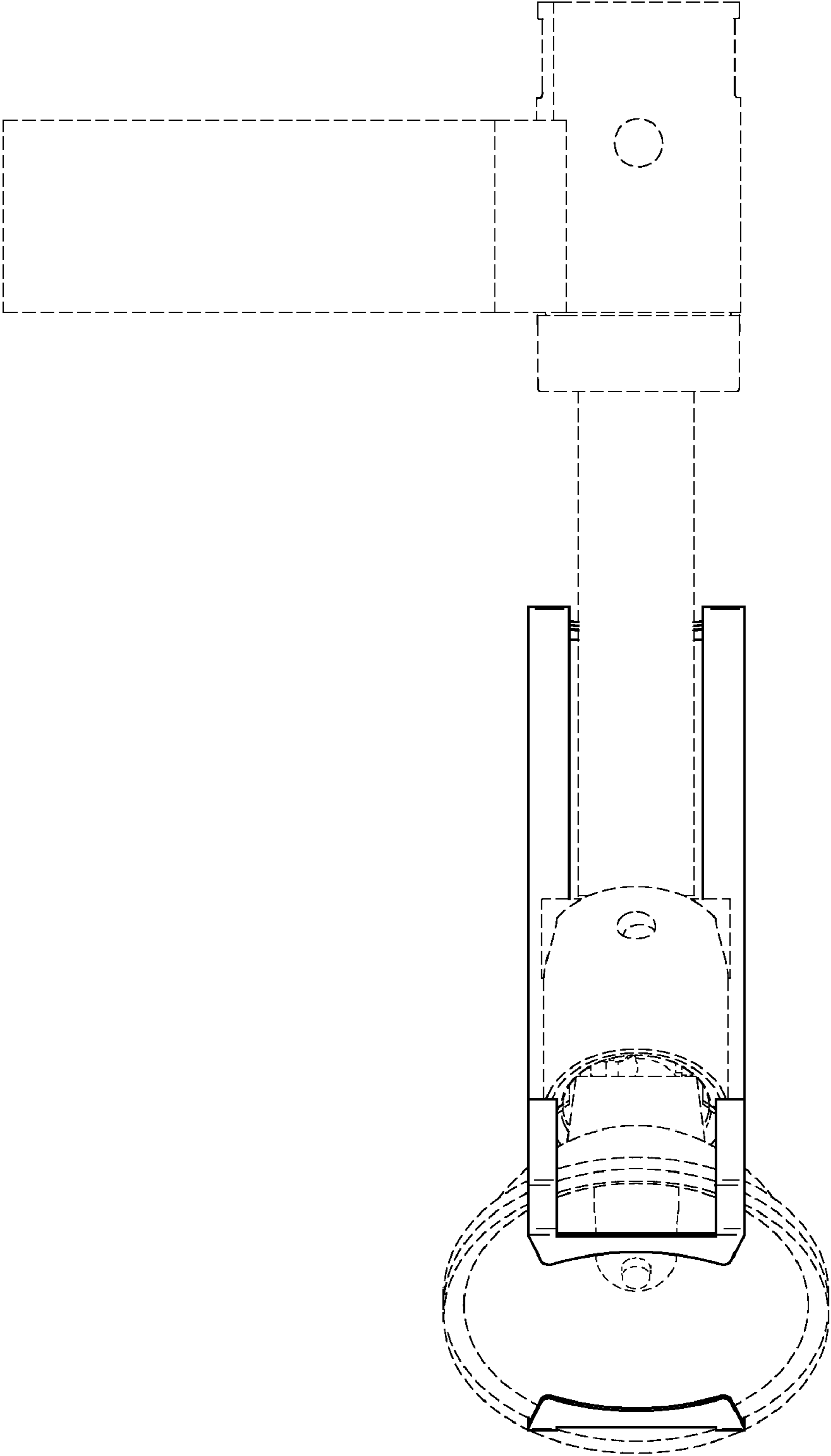


FIG. 2

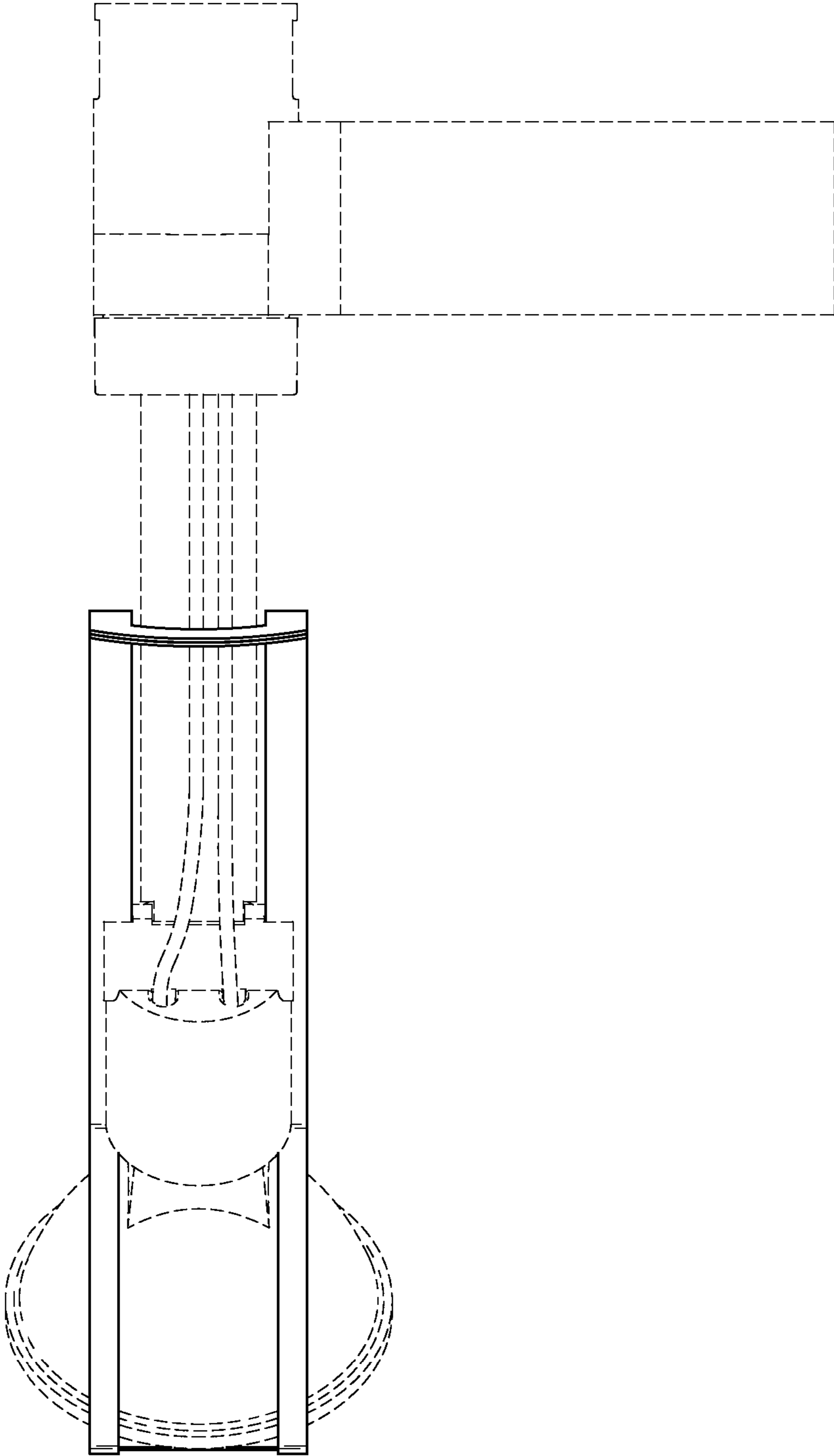


FIG. 3

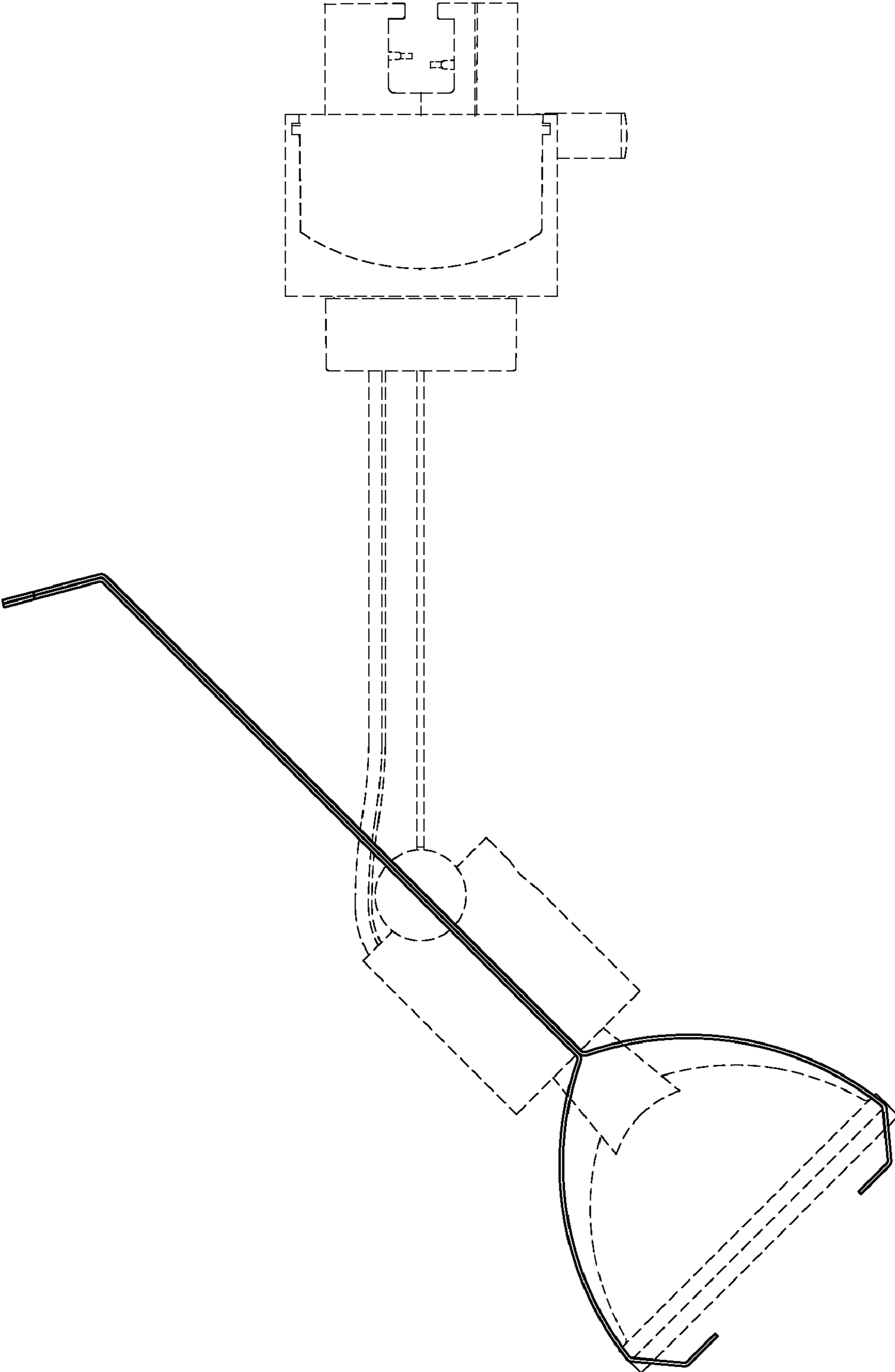


FIG. 4

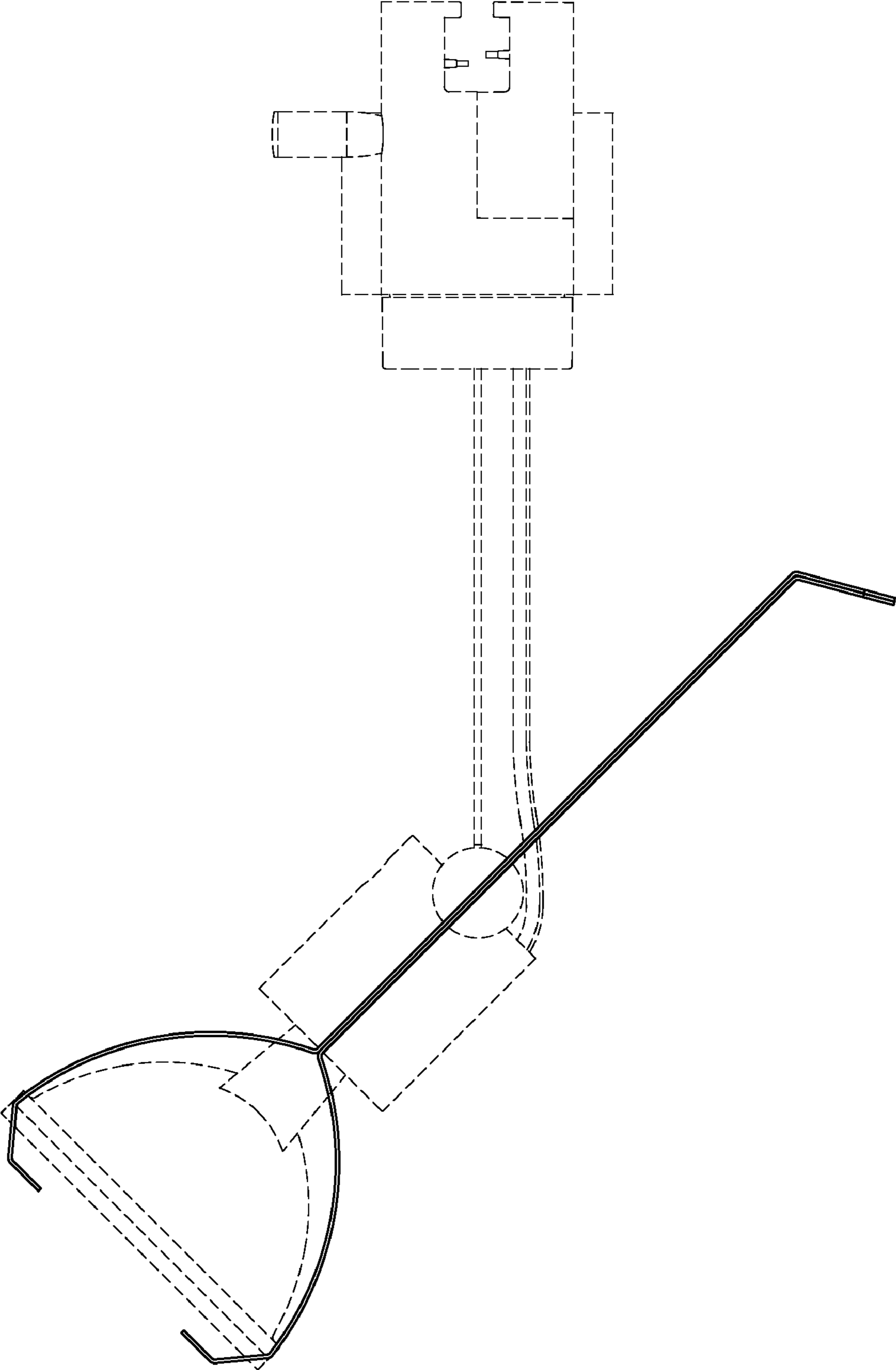


FIG. 5

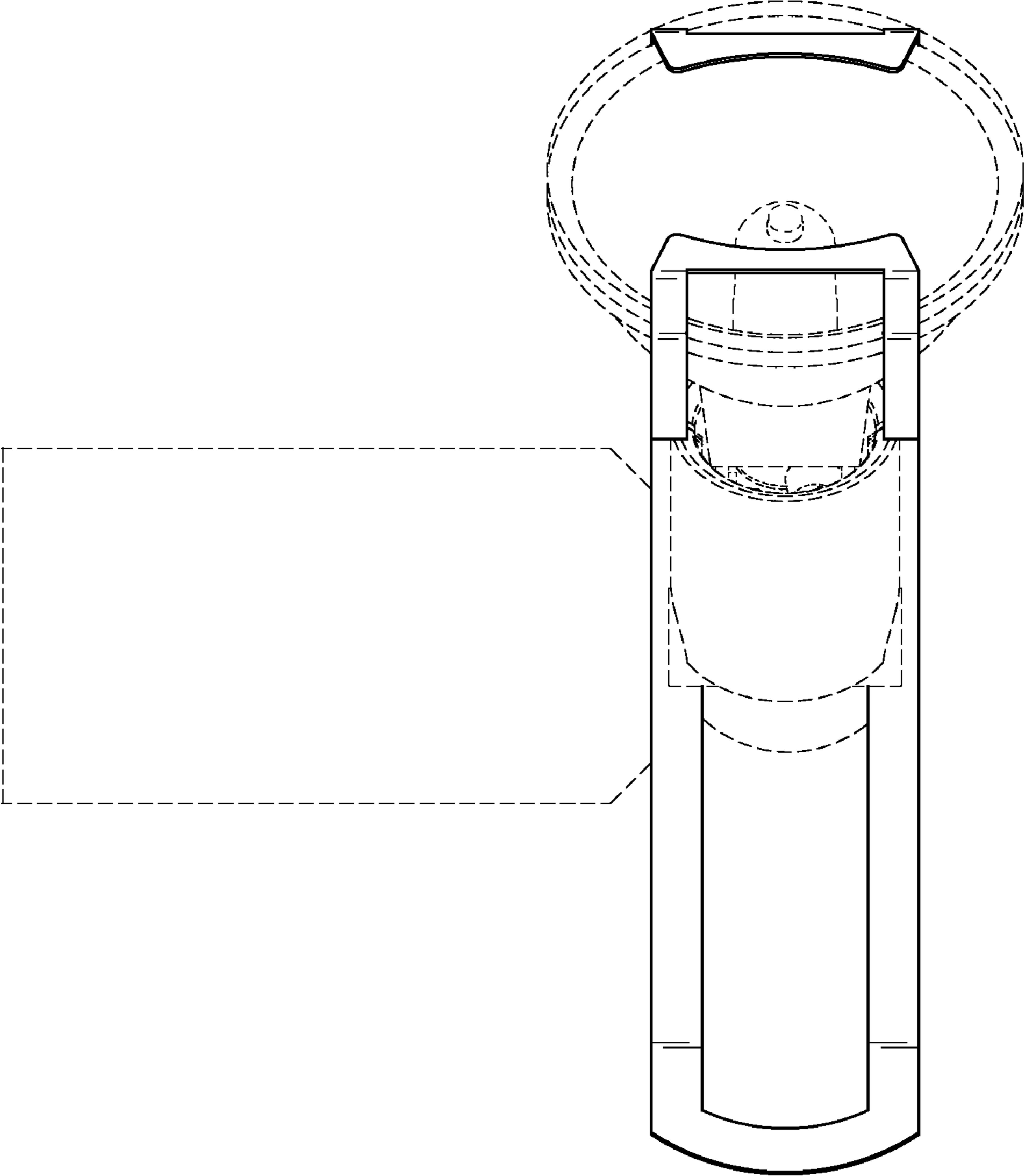


FIG. 6