



US00D621983S

(12) **United States Design Patent**  
**Mier-Langner et al.**

(10) **Patent No.:** **US D621,983 S**

(45) **Date of Patent:** **\*\* Aug. 17, 2010**

(54) **TRACK FIXTURE LUMINAIRE**

(75) Inventors: **Alejandro Mier-Langner**, Providence, RI (US); **James E. Kuchar**, Fall River, MA (US)

(73) Assignee: **Koninklijke Philips Electronics N.V.**, Eindhoven (NL)

(\*\*) Term: **14 Years**

(21) Appl. No.: **29/351,051**

(22) Filed: **Nov. 30, 2009**

**Related U.S. Application Data**

(63) Continuation of application No. 29/317,783, filed on May 6, 2008, now Pat. No. Des. 605,324.

(51) **LOC (9) Cl.** ..... **26-05**

(52) **U.S. Cl.** ..... **D26/63; D26/138**

(58) **Field of Classification Search** ..... D26/60, D26/61, 62, 63, 64, 65, 66, 72, 81, 88, 89, D26/90, 91, 154, 24, 44, 77, 119, 121, 152, D26/75, 85, 138, 140, 155; 362/145, 147, 362/148, 150, 218, 220, 223, 648, 227, 238, 362/239, 249, 250, 372, 418, 430, 269, 270, 362/271, 272, 273, 274, 277, 278, 282, 283, 362/285, 287, 288, 290, 309, 427

See application file for complete search history.

(56) **References Cited**

**U.S. PATENT DOCUMENTS**

D313,481 S \* 1/1991 Fremont et al. .... D26/63

D323,719 S \* 2/1992 Wereley ..... D26/140

D325,789 S \* 4/1992 Atkinson ..... D26/63  
D326,928 S \* 6/1992 Wereley ..... D26/140  
D399,327 S \* 10/1998 Lin ..... D26/63  
D400,996 S \* 11/1998 Tang ..... D26/63  
D481,158 S \* 10/2003 Cline ..... D26/138  
D481,159 S \* 10/2003 Walker ..... D26/138  
6,676,281 B2 \* 1/2004 Bray et al. .... 362/391  
D605,323 S \* 12/2009 Mier-Langner et al. .... D26/63  
D605,324 S \* 12/2009 Mier-Langner et al. .... D26/63  
2006/0013009 A1 \* 1/2006 Falco ..... 362/418  
2009/0251905 A1 \* 10/2009 Melzner et al. .... 362/418

\* cited by examiner

*Primary Examiner*—Jennifer Rivard

*Assistant Examiner*—Angela J Lee

(57) **CLAIM**

The ornamental design for a track fixture luminaire, as shown and described.

**DESCRIPTION**

FIG. 1 is a perspective view of the track fixture luminaire of the present invention;

FIG. 2 is a left side view of the design of the present invention;

FIG. 3 is a front view of the design of the present invention;

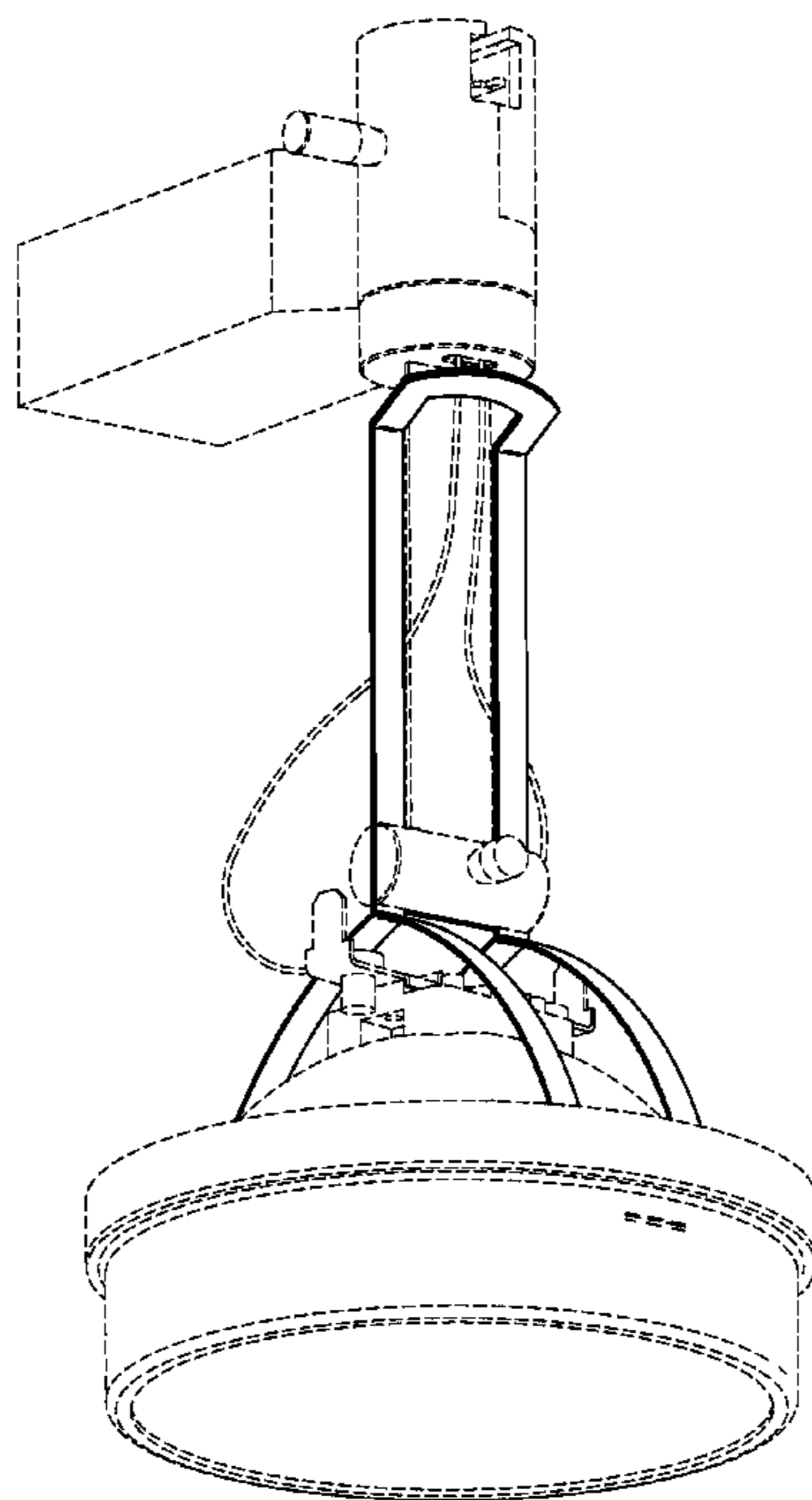
FIG. 4 is a rear view of the design of the present invention;

FIG. 5 is a right side view of the design of the present invention; and,

FIG. 6 is a bottom view of the design of the present invention.

The broken lines showing environmental structure are for illustrative purposes only and form no part of the claimed design.

**1 Claim, 6 Drawing Sheets**



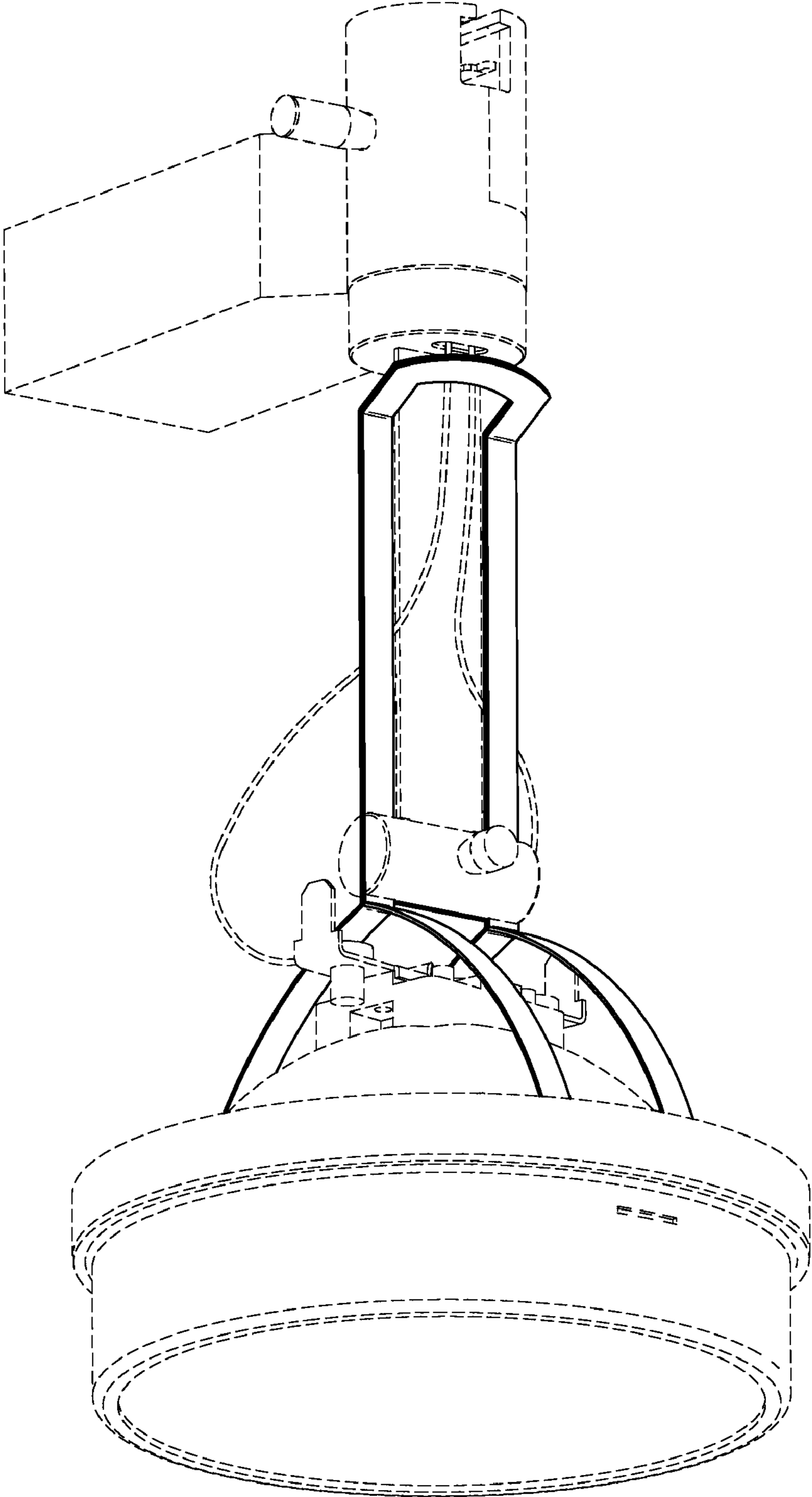


FIG. 1

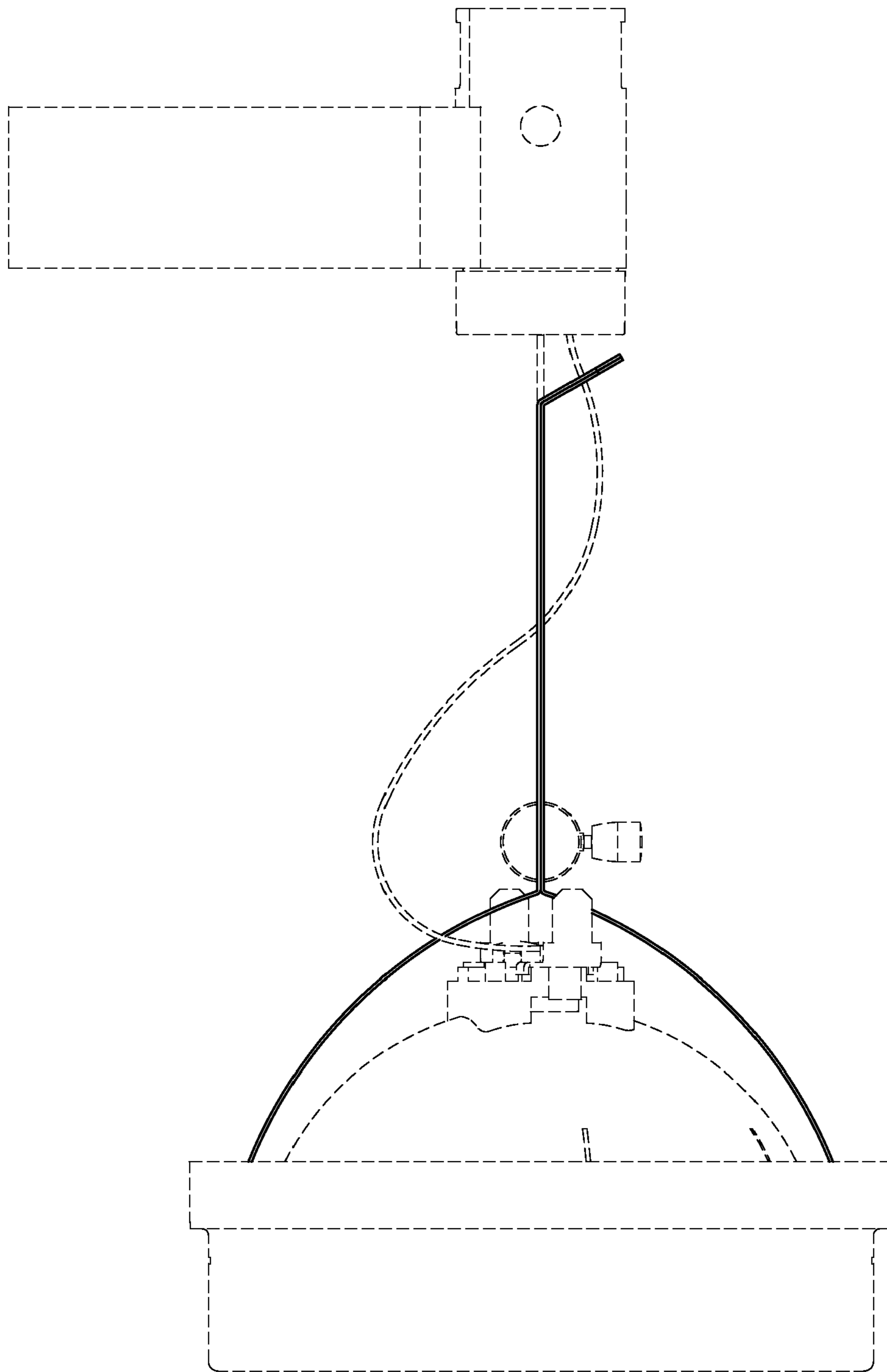


FIG. 2

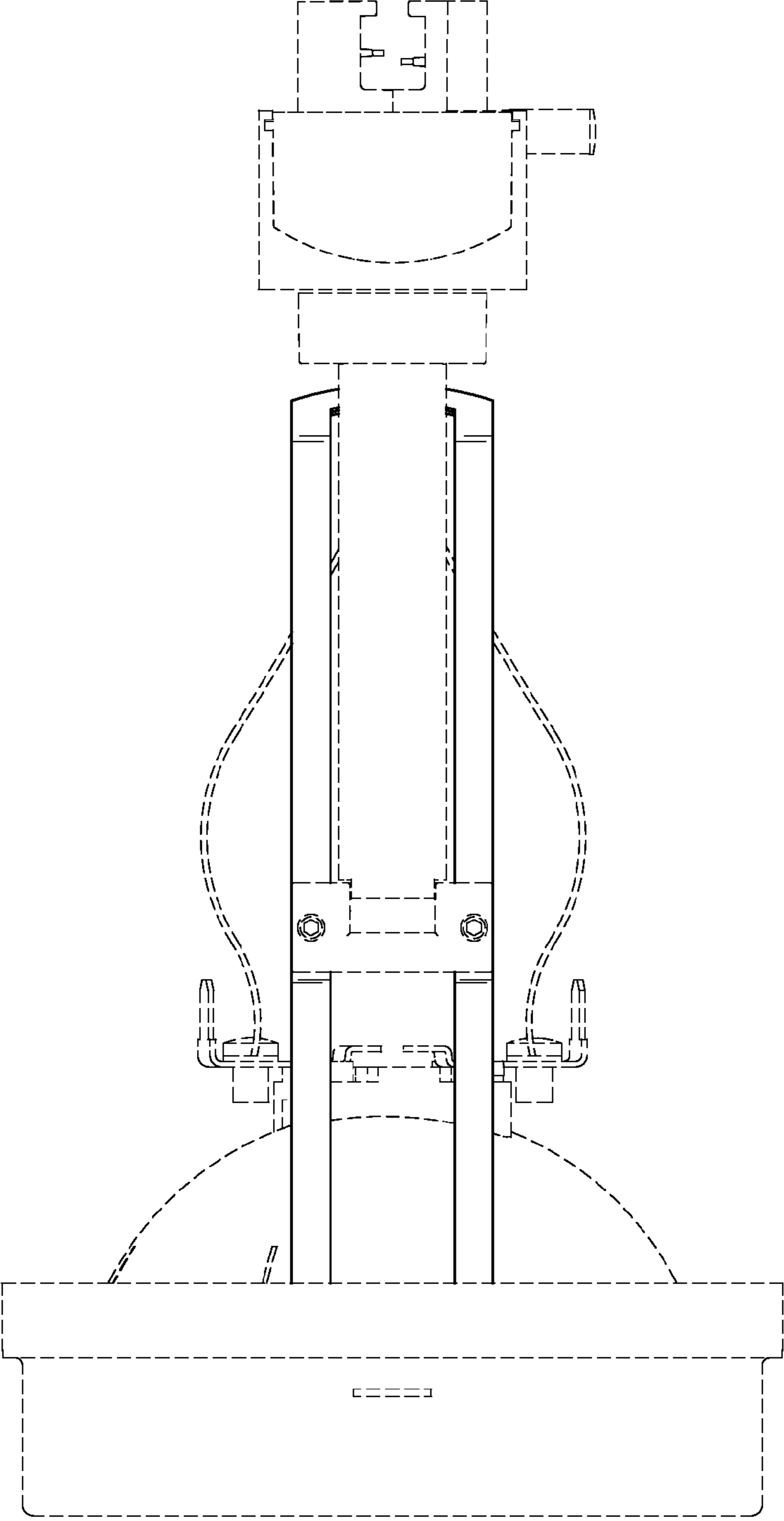


FIG. 3

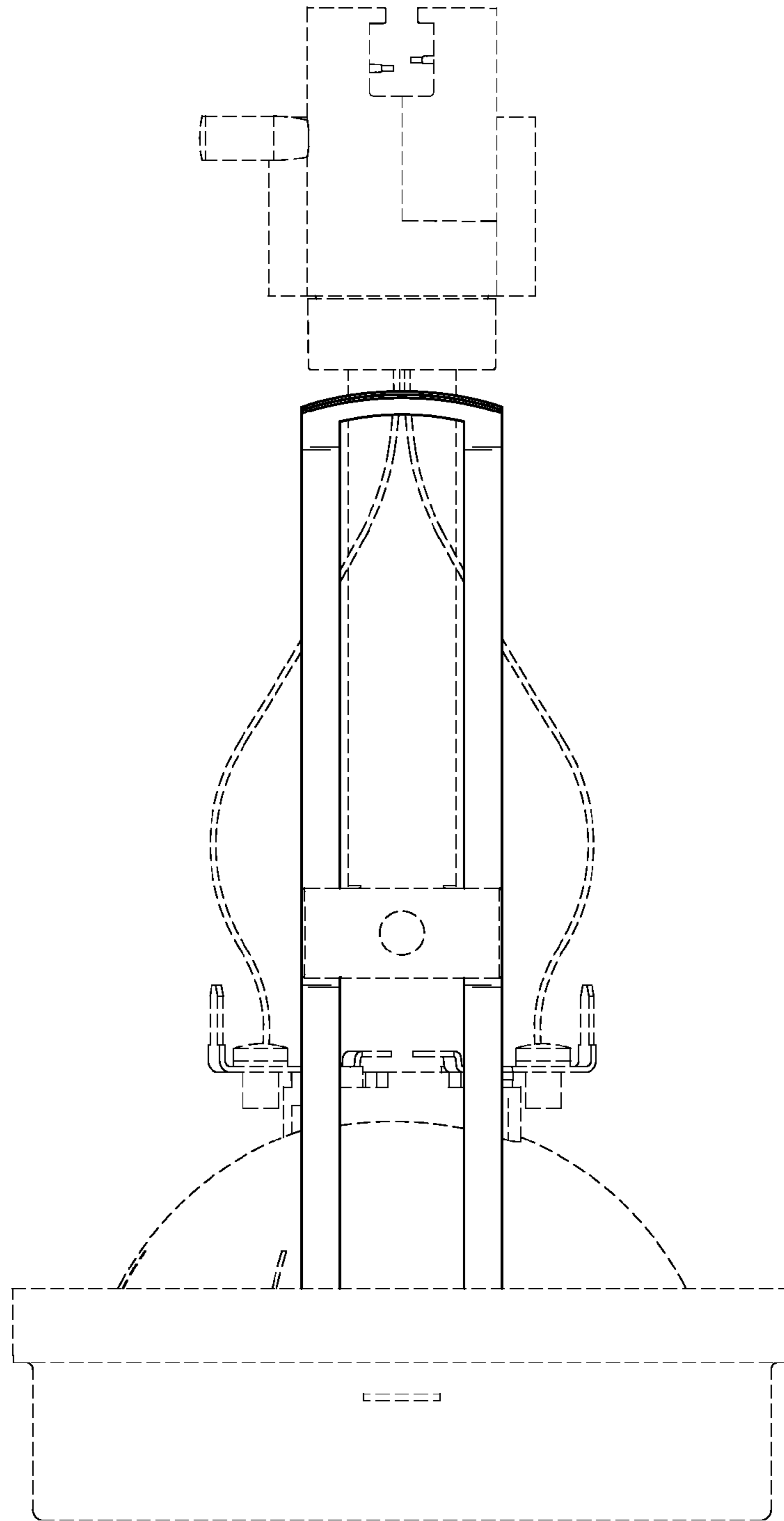


FIG. 4

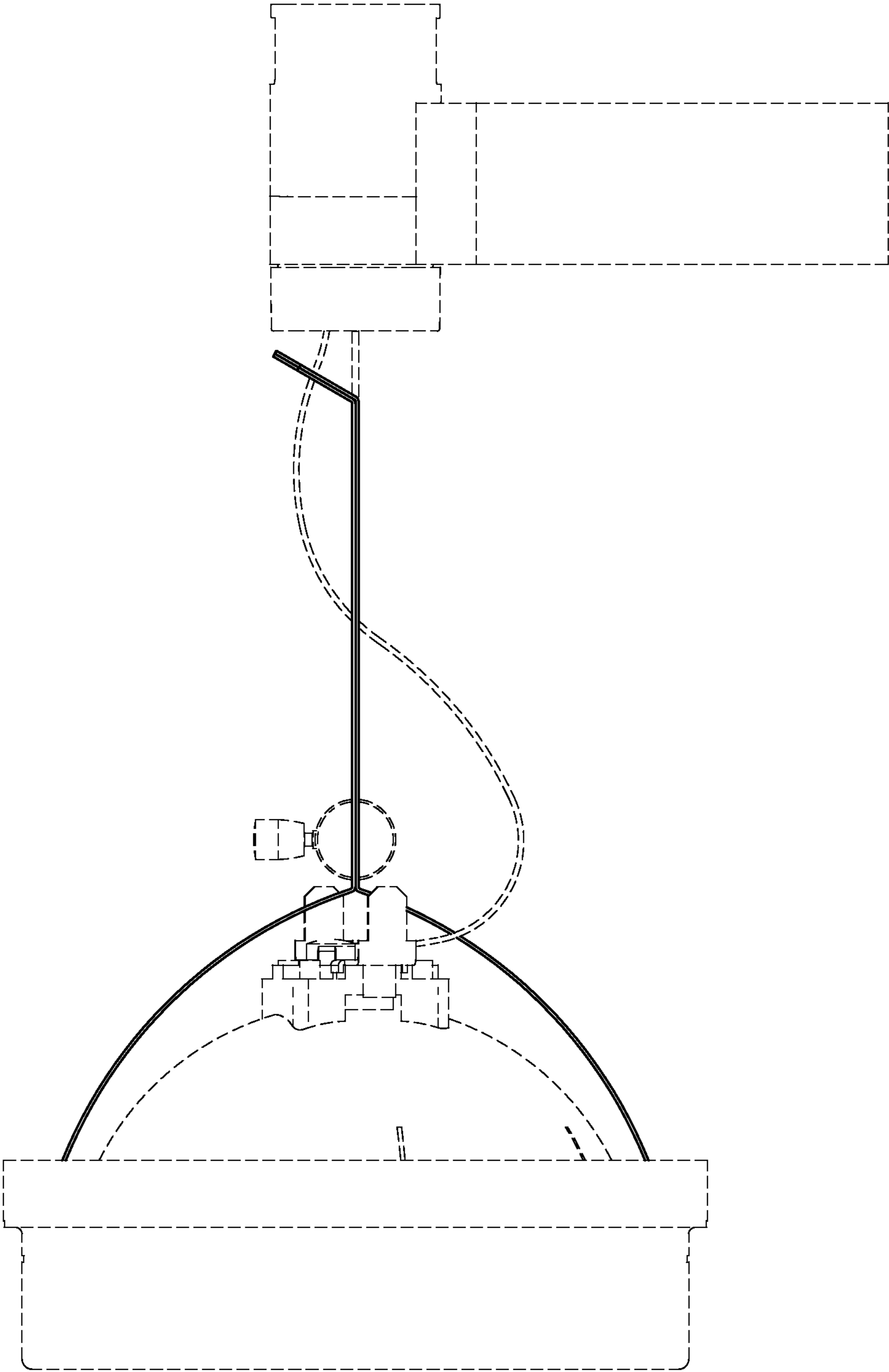


FIG. 5

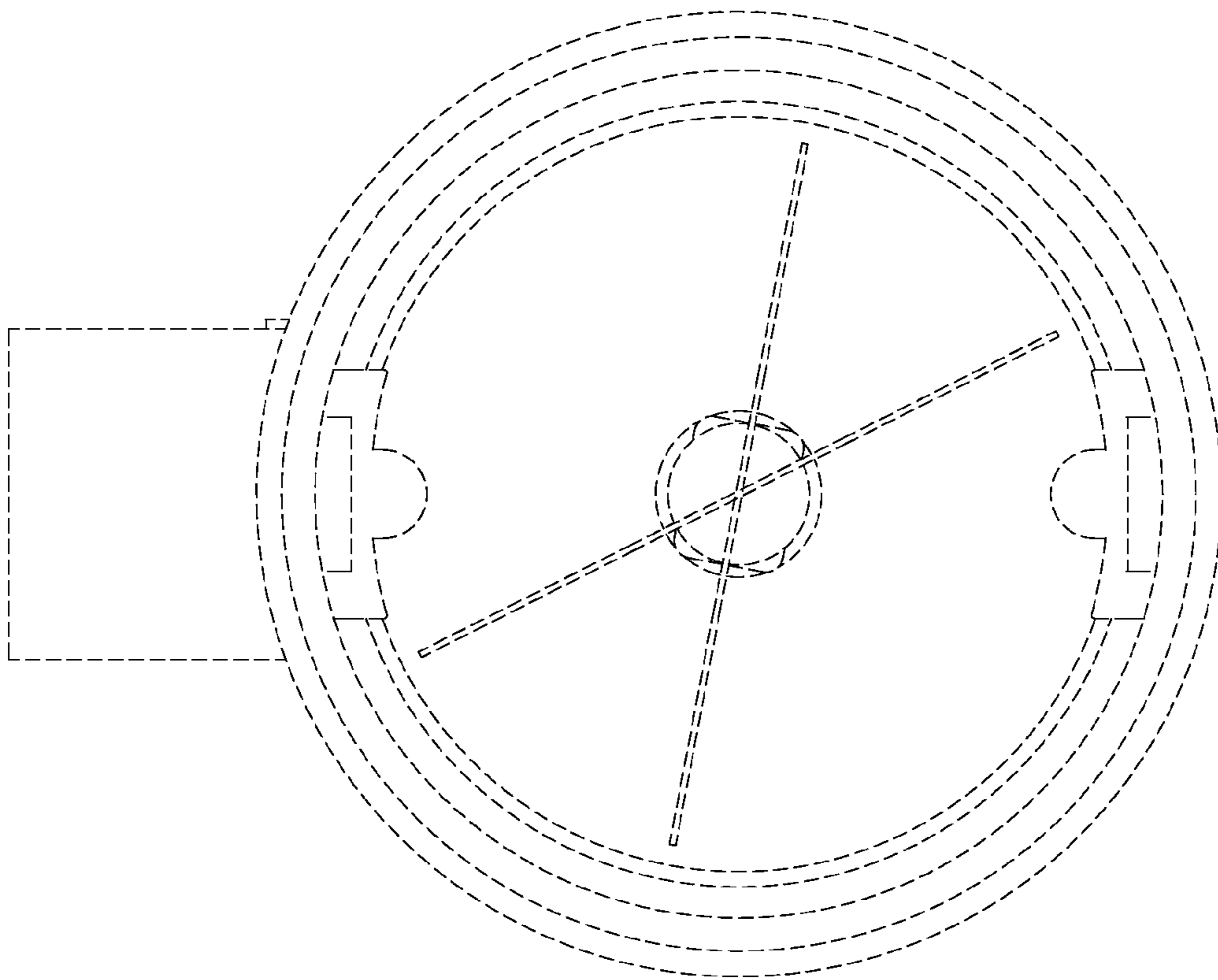


FIG. 6