



US00D621982S

(12) **United States Design Patent**
Feinbloom et al.

(10) **Patent No.:** **US D621,982 S**
(45) **Date of Patent:** **** Aug. 17, 2010**

(54) **LED DAYLIGHT**

(75) Inventors: **Richard E. Feinbloom**, New York, NY (US); **Kenneth Braganca**, Ronkonkoma, NY (US)

(73) Assignee: **Designs for Vision, Inc.**, Ronkonkoma, NY (US)

(**) Term: **14 Years**

(21) Appl. No.: **29/308,414**

(22) Filed: **Jun. 16, 2008**

(51) **LOC (9) Cl.** **26-05**

(52) **U.S. Cl.** **D26/63; D26/39**

(58) **Field of Classification Search** D26/24, D26/44, 45, 61–66, 72, 73, 87, 93, 104–108, D26/142, 39; 362/145, 147, 148, 153, 220, 362/217.02, 269, 277, 282, 285, 287, 296.05, 362/311.06, 372, 228, 236, 237, 249.03, 362/249.04, 249.06, 249.07, 249.08, 249.09, 362/249.1, 249.11

See application file for complete search history.

(56) **References Cited**

U.S. PATENT DOCUMENTS

D283,645 S *	4/1986	Tanaka	D26/43
D370,542 S *	6/1996	Santarsiero	D26/43
D388,524 S *	12/1997	Shiau	D26/43
D405,901 S *	2/1999	Feinbloom et al.	D26/39
D438,997 S *	3/2001	Yuen	D26/45
D446,798 S *	8/2001	Feinbloom et al.	D16/132
6,488,373 B1 *	12/2002	Feinbloom et al.	351/57
D479,888 S *	9/2003	Sharrah et al.	D26/37
D497,683 S *	10/2004	Cooper	D26/39
D504,535 S *	4/2005	Shiu	D26/60

D518,212 S *	3/2006	Shiu	D26/43
D532,541 S *	11/2006	Krieger et al.	D26/45
D536,116 S *	1/2007	Sharrah	D26/43
D539,458 S *	3/2007	Cooper	D26/60
D565,218 S *	3/2008	Chien	D26/43
D582,593 S *	12/2008	Cheng	D26/63
D586,932 S *	2/2009	Feinbloom et al.	D26/39
D600,842 S *	9/2009	Shiu	D26/49

OTHER PUBLICATIONS

LED DayLite, <http://www.designsforvision.com/DentHtml/DentLite.htm>, viewed on Mar. 30, 2010.*
L.E.D. PortaLite, <http://web.archive.org/web/20060422183737/http://www.designsforvision.com/DentHtml/DentLite.htm>, dated Apr. 22, 2006, viewed on Mar. 30, 2010.*

* cited by examiner

Primary Examiner—Jennifer Rivard

Assistant Examiner—Angela J Lee

(74) *Attorney, Agent, or Firm*—Plevy & Keene LLP

(57) **CLAIM**

We claim, the ornamental design for a LED daylight, as shown and described.

DESCRIPTION

FIG. 1 is a front elevational view, showing the new design;

FIG. 2 is a side elevational view thereof;

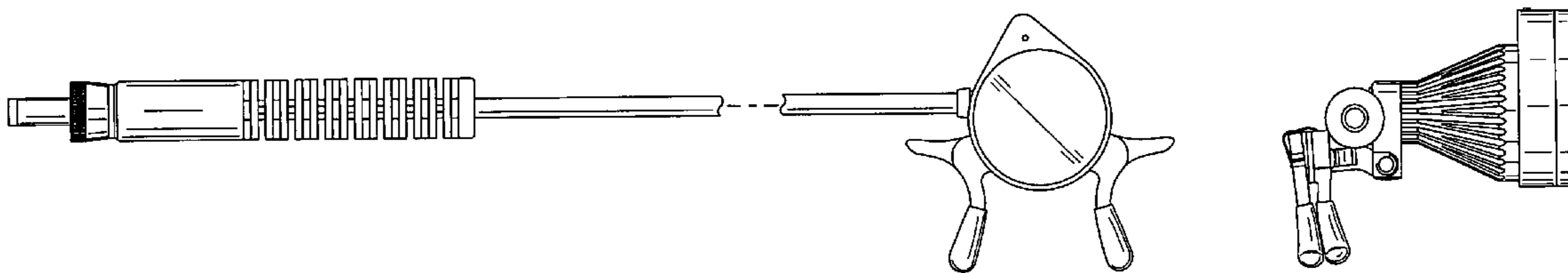
FIG. 3 is a side elevational view from the opposite side shown in FIG. 2;

FIG. 4 is a rear elevational view thereof; and,

FIG. 5 is a top plan view thereof.

The LED daylight is shown broken away to indicate that no particular length is claimed.

1 Claim, 2 Drawing Sheets



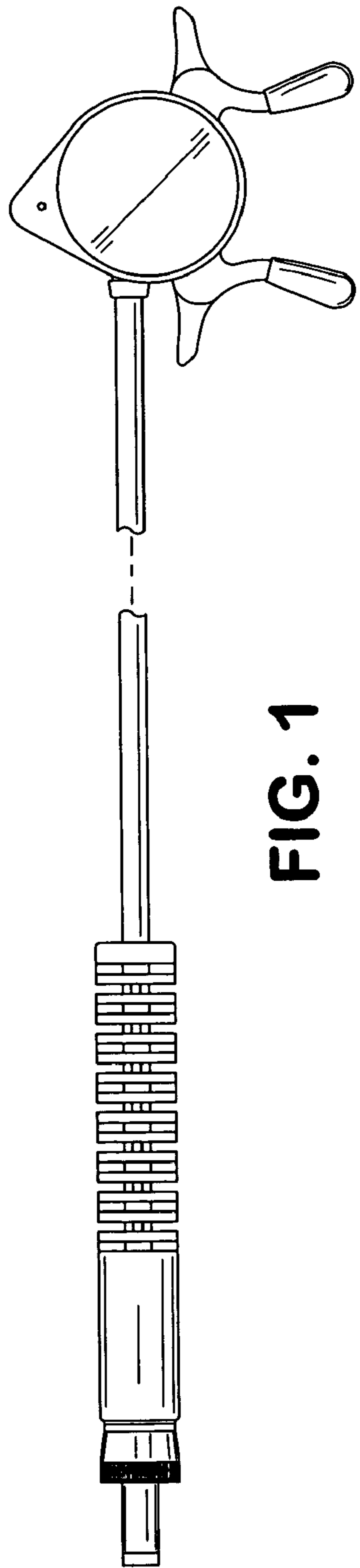


FIG. 1

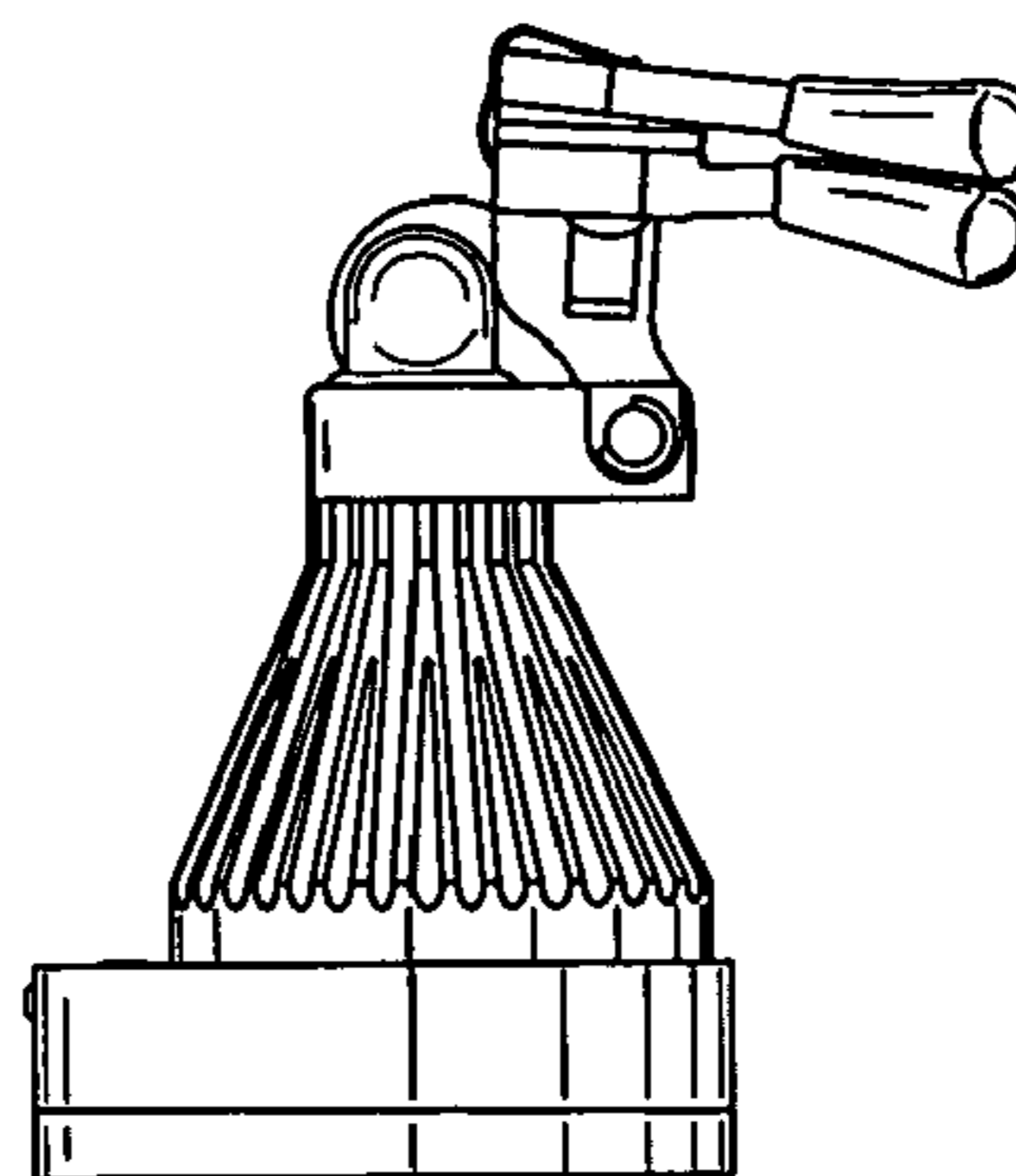


FIG. 3

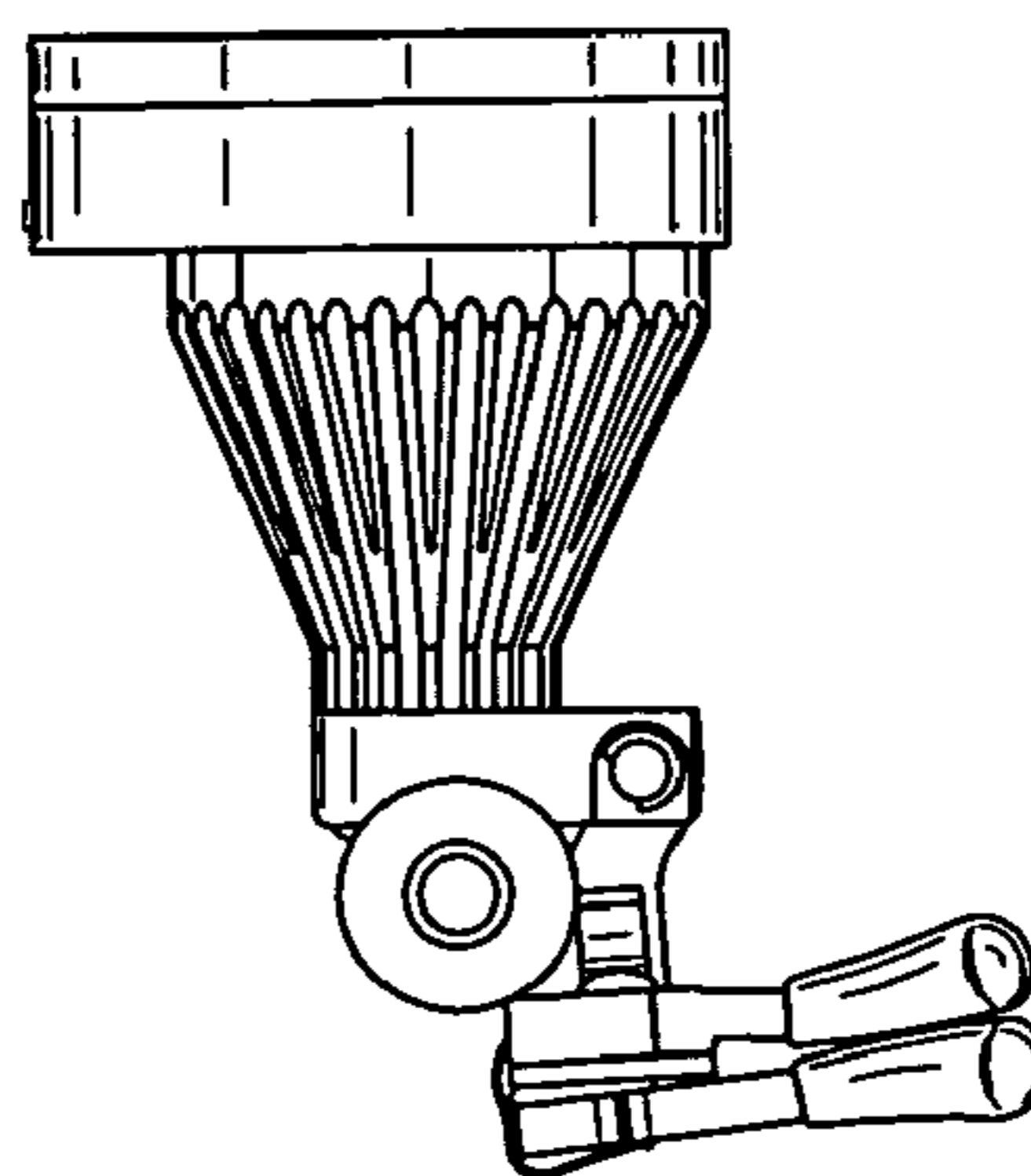


FIG. 2

