



US00D621981S

(12) **United States Design Patent**  
**McAtamney et al.**

(10) **Patent No.:** **US D621,981 S**

(45) **Date of Patent:** **\*\* Aug. 17, 2010**

(54) **EXAMINATION LIGHT**

(75) Inventors: **Michael McAtamney**, Navan (IE);  
**Stephen Montgomery**, Lucan (IE);  
**Michael Krynock**, Sunnyvale, CA (US);  
**Morten Wagener**, Copenhagen (DK)

(73) Assignee: **Welch Allyn, Inc.**, Skaneateles Falls, NY  
(US)

(\*\*) Term: **14 Years**

(21) Appl. No.: **29/344,514**

(22) Filed: **Sep. 30, 2009**

(51) **LOC (9) Cl.** ..... **26-05**

(52) **U.S. Cl.** ..... **D26/61**

(58) **Field of Classification Search** ..... D26/61-66,  
D26/24, 72, 51; 362/220, 297, 282, 296.03,  
362/402, 400, 804, 294, 345, 347, 371, 399,  
362/98; 600/249; 433/29, 215  
See application file for complete search history.

(56) **References Cited**

**U.S. PATENT DOCUMENTS**

D201,038	S	*	5/1965	Sullivan et al.	.....	D26/61
3,191,023	A	*	6/1965	Jones et al.	.....	362/220
D217,497	S	*	5/1970	Valeska et al.	.....	D26/61
4,234,247	A	*	11/1980	Dorman	.....	362/297
4,254,454	A	*	3/1981	Hardin, Jr.	.....	362/282
4,254,455	A	*	3/1981	Neal, Jr.	.....	362/296.03
4,494,177	A	*	1/1985	Matthews	.....	362/402
D286,082	S	*	10/1986	Shwisha	.....	D26/61
D301,627	S	*	6/1989	Sestak	.....	D26/24
D308,112	S	*	5/1990	Targetti	.....	D26/72
4,930,058	A	*	5/1990	Jones et al.	.....	362/400

D348,742	S	*	7/1994	Rorke et al.	.....	D26/51
D377,227	S	*	1/1997	Nordstrom et al.	.....	D26/65
D463,056	S	*	9/2002	Waites	.....	D26/65
6,733,290	B2	*	5/2004	West et al.	.....	433/29
D523,984	S	*	6/2006	Cai	.....	D26/61
7,163,306	B1	*	1/2007	Major et al.	.....	362/98
D563,011	S	*	2/2008	Major	.....	D26/61
D586,026	S	*	2/2009	Hanson et al.	.....	D26/61

\* cited by examiner

*Primary Examiner*—Mitchell I Siegel

(57) **CLAIM**

The ornamental design for an examination light, as shown and described.

**DESCRIPTION**

FIG. 1 is a perspective view of an examination light according to an embodiment of the present invention;

FIG. 2 is a bottom view of the examination light shown in FIG. 1;

FIG. 3 is a top view of the examination light shown in FIG. 1;

FIG. 4 is a right side view of the examination light shown in FIG. 1;

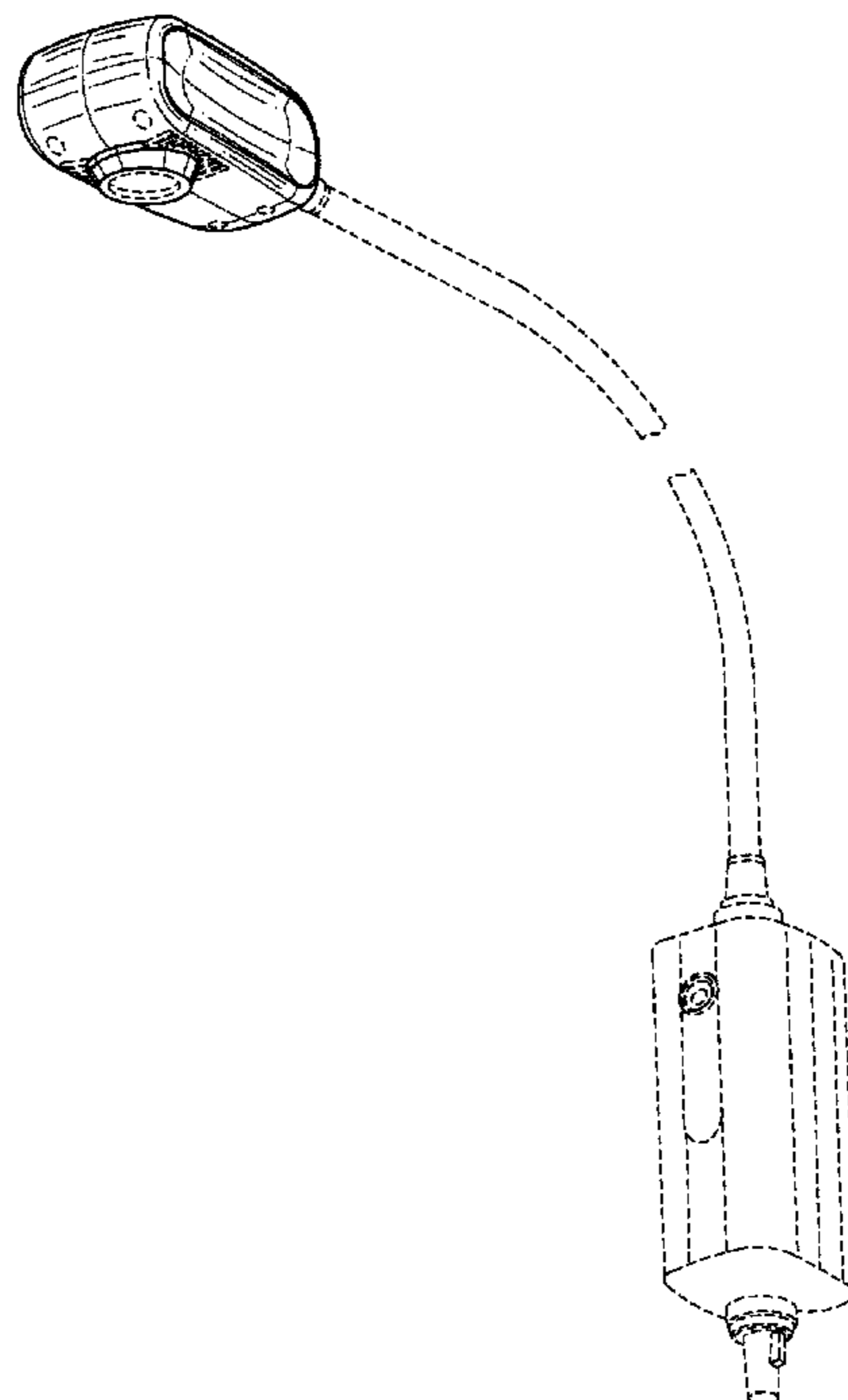
FIG. 5 is a left side view of the examination light shown in FIG. 1;

FIG. 6 is a front view of the examination light shown in FIG. 1; and,

FIG. 7 is a rear view of the examination light shown in FIG. 1.

The broken lines shown herein are for illustrative purposes only and form no part of the claimed design.

**1 Claim, 4 Drawing Sheets**



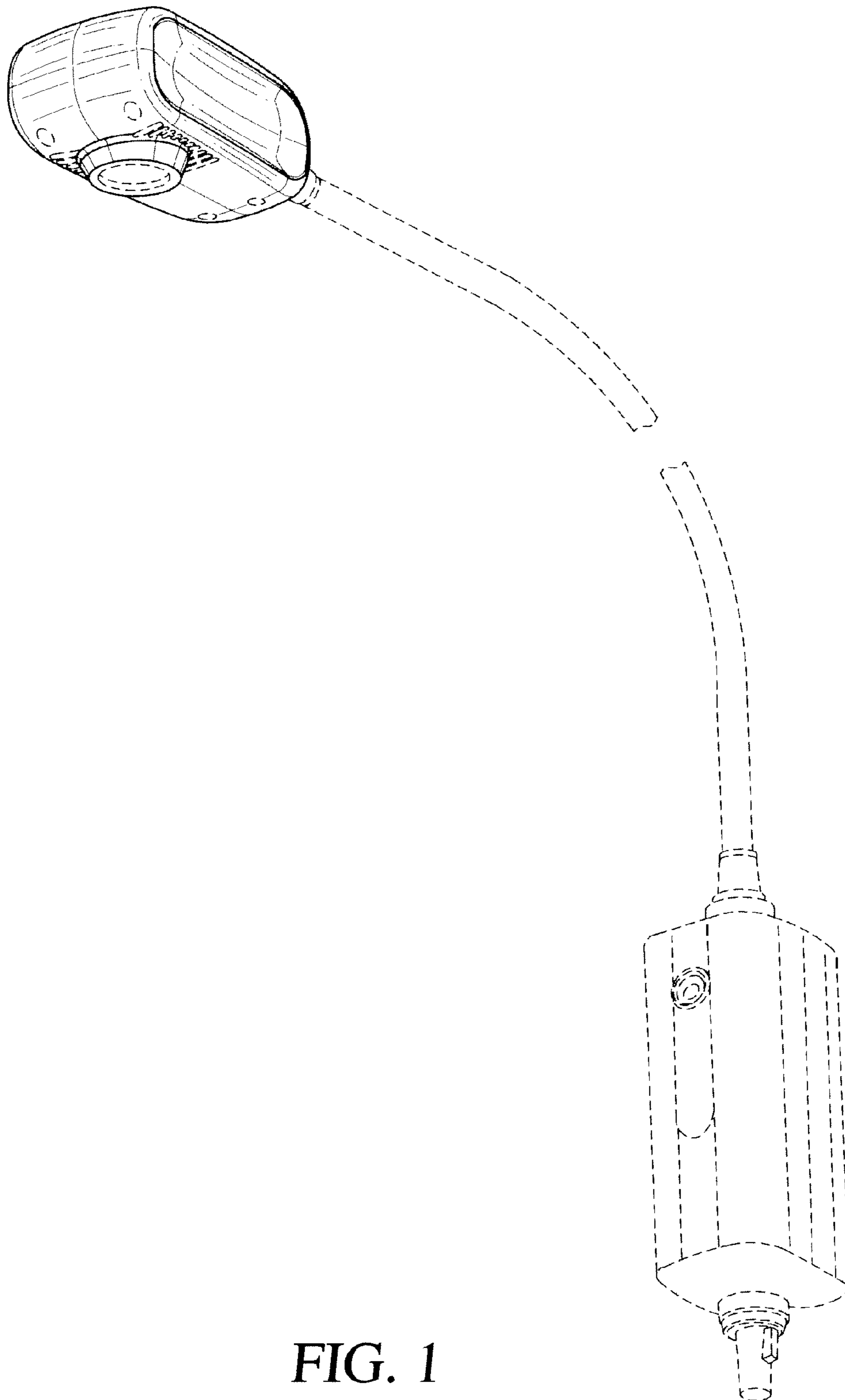


FIG. 1

FIG. 2

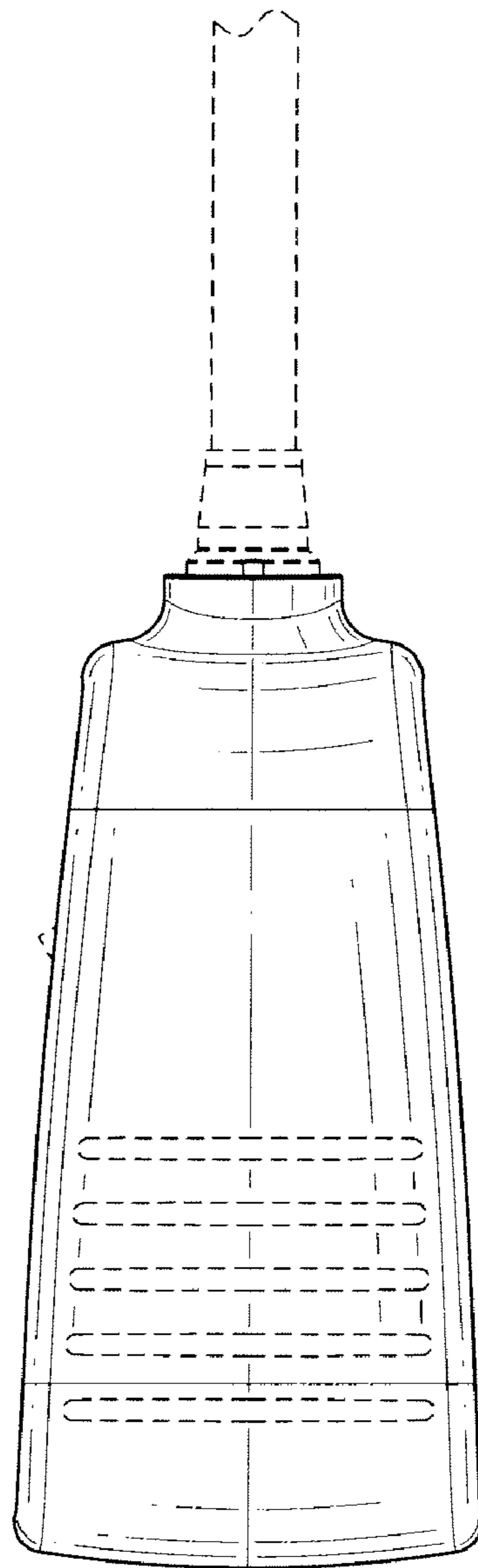
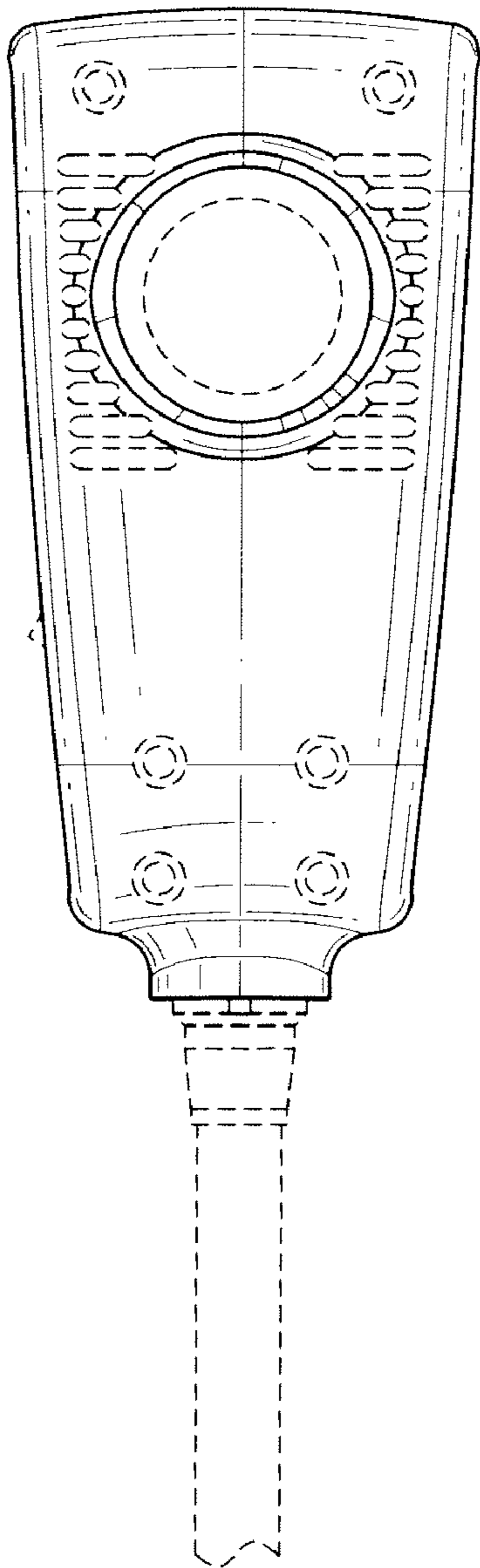


FIG. 3

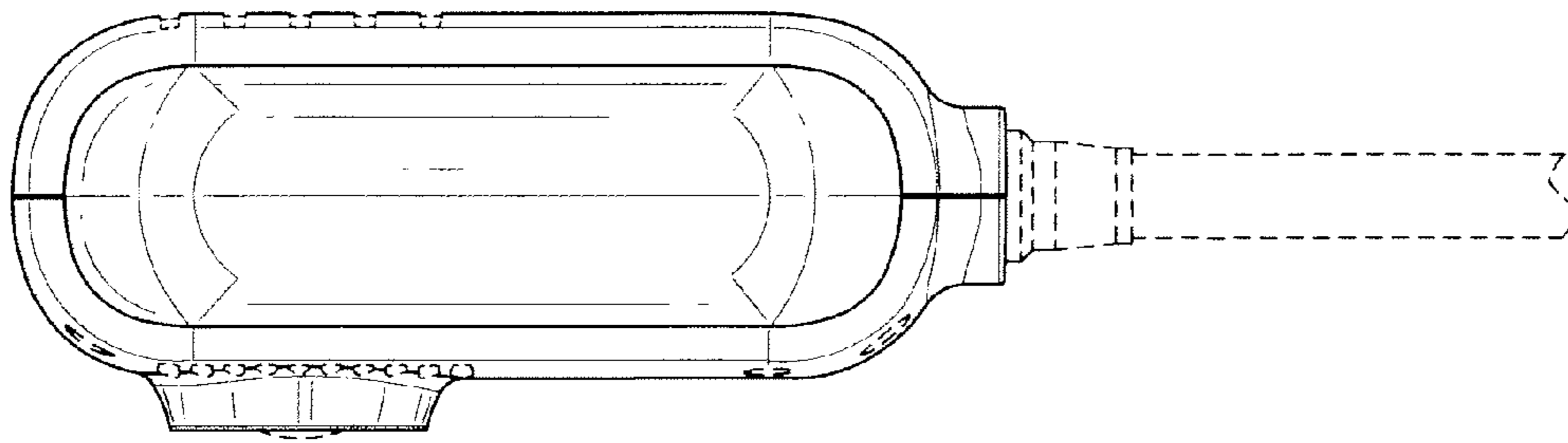


FIG. 4

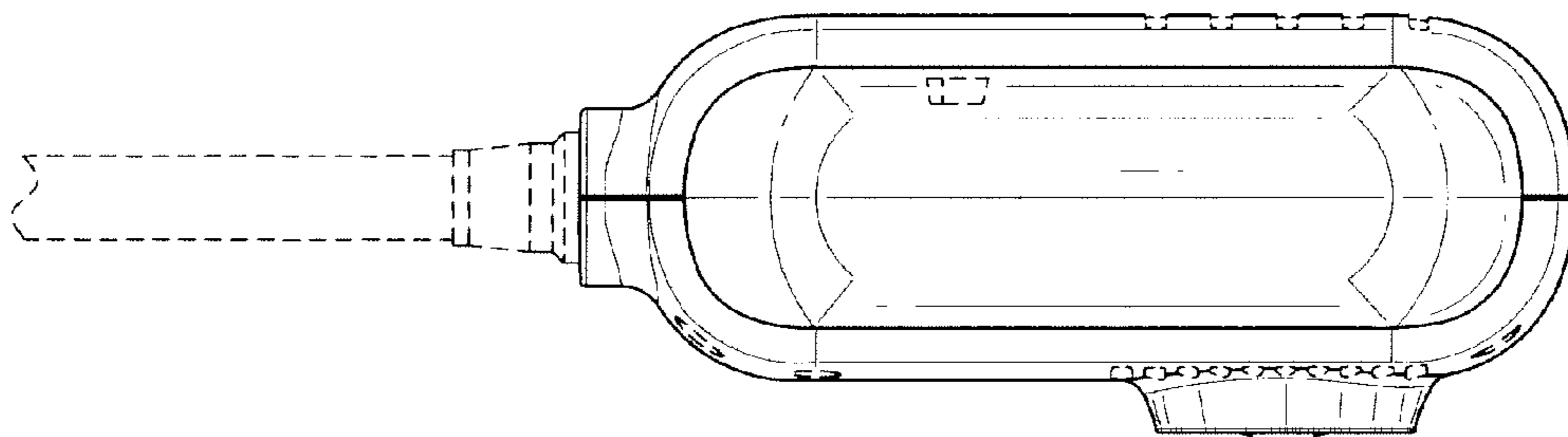
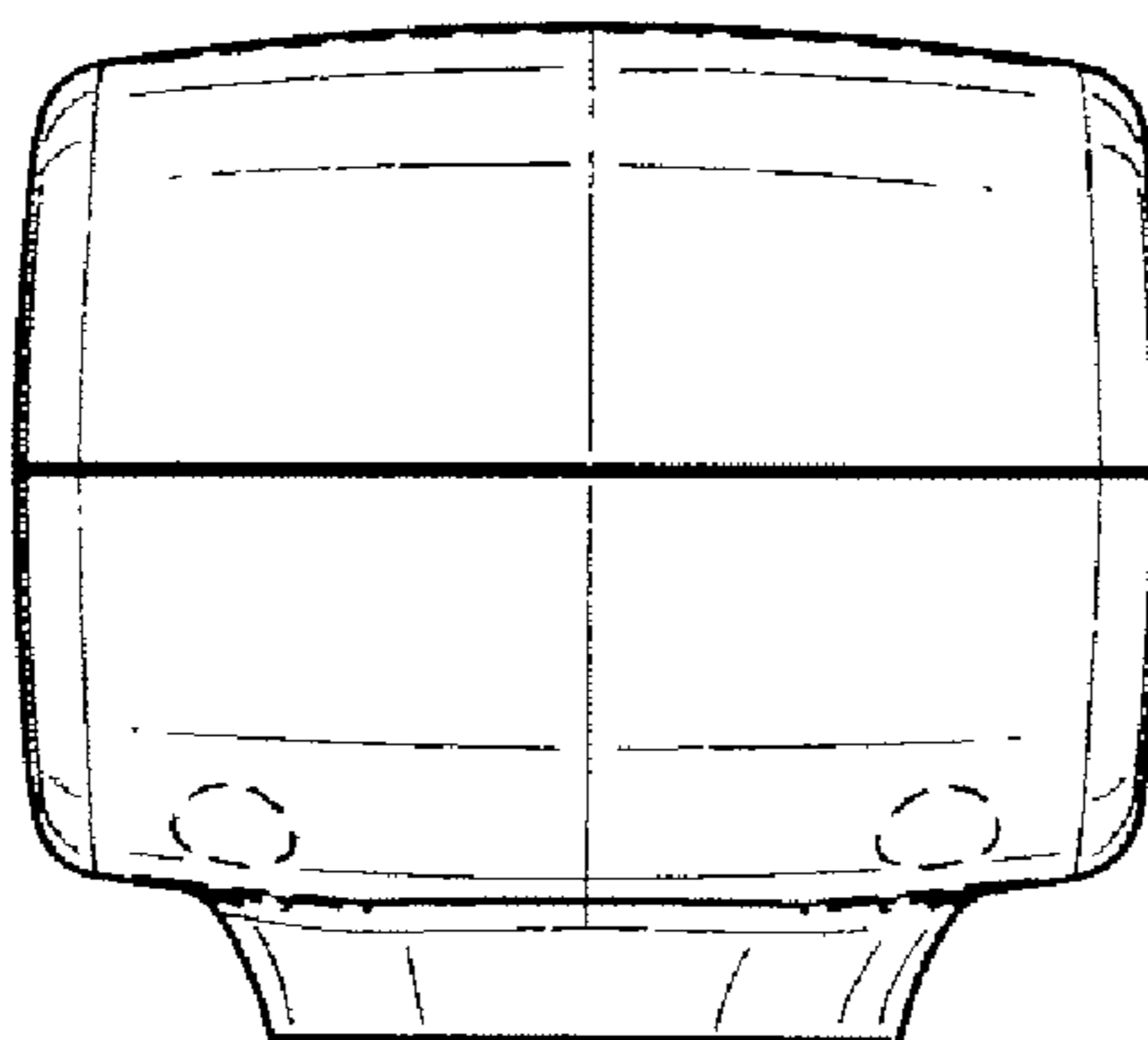
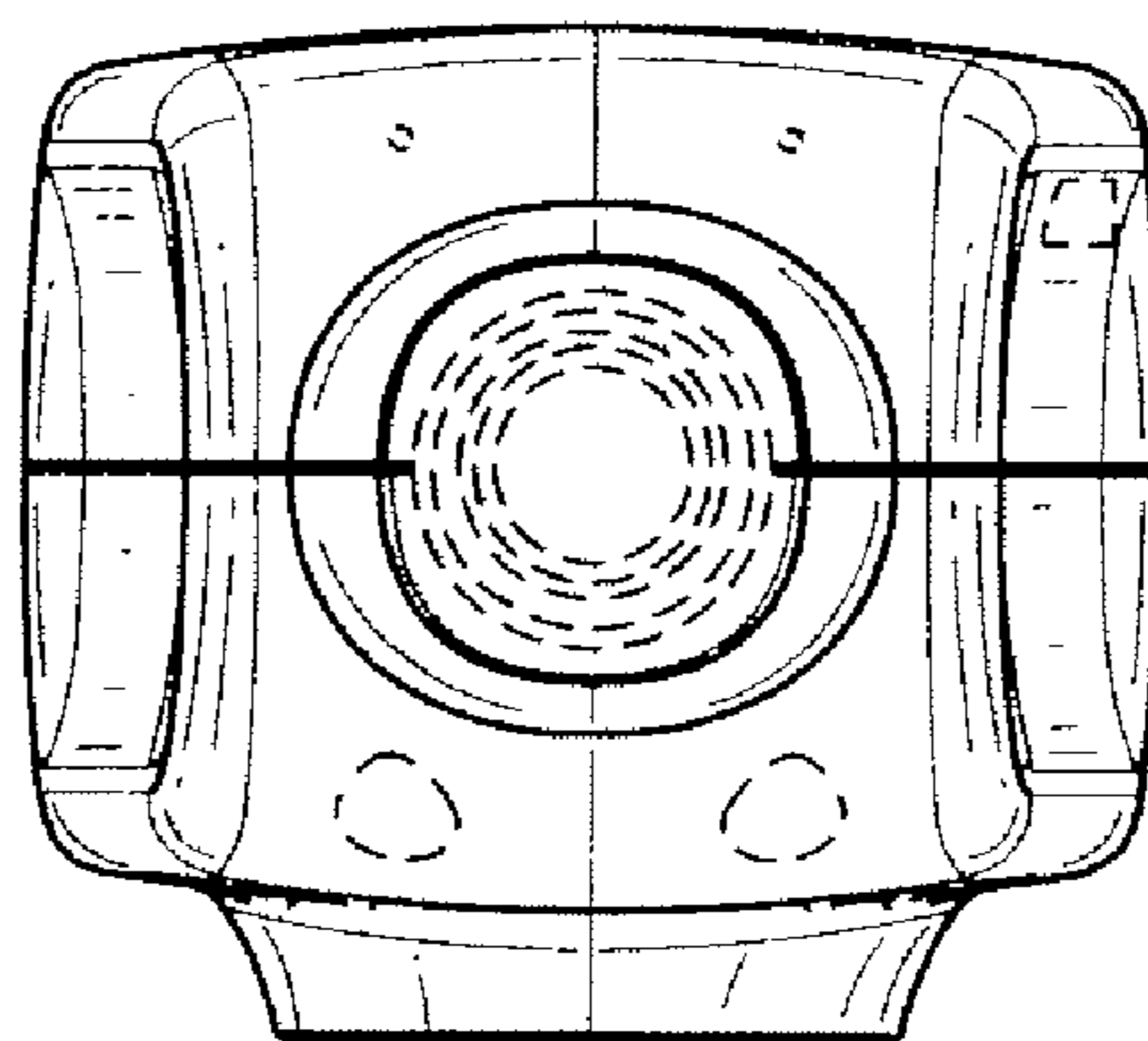


FIG. 5



**FIG. 6**



**FIG. 7**