



US00D621980S

(12) **United States Design Patent**
Munger

(10) **Patent No.:** **US D621,980 S**

(45) **Date of Patent:** **** Aug. 17, 2010**

(54) **MAGNIFYING GLASS**

(75) Inventor: **Heinz Munger, Wil (CH)**

(73) Assignee: **PATWAL GmbH, Speicher (CH)**

(**) Term: **14 Years**

(21) Appl. No.: **29/341,261**

(22) Filed: **Aug. 3, 2009**

(30) **Foreign Application Priority Data**

Feb. 2, 2009 (WO) DM/071 283
Mar. 9, 2009 (WO) DM/071 447

(51) **LOC (9) Cl.** **26-05**

(52) **U.S. Cl.** **D26/61; D16/135**

(58) **Field of Classification Search** D16/130,
D16/134, 135; D26/51, 61; 359/572, 573,
359/801, 803, 813, 819; 362/370, 371, 257,
362/362, 253, 427, 33; 248/162.1, 629
See application file for complete search history.

(56) **References Cited**

U.S. PATENT DOCUMENTS

3,820,752 A * 6/1974 Oram 248/284.1
D275,037 S * 8/1984 Saferstein et al. D26/51
D276,940 S * 12/1984 Andersson D16/135
4,494,177 A * 1/1985 Matthews 362/402

D284,087 S * 6/1986 Haidinger D16/135
D295,287 S * 4/1988 Krogsrud et al. D16/135
4,796,162 A * 1/1989 Krogsrud 362/33
4,958,913 A * 9/1990 Schaffer 359/819
D382,577 S * 8/1997 Waldmann D16/135
6,663,266 B2 * 12/2003 Huang 362/402
D597,238 S * 7/2009 Lu et al. D26/61

* cited by examiner

Primary Examiner—Paula Greene

(74) *Attorney, Agent, or Firm*—Volpe and Koenig, P.C.

(57) **CLAIM**

The ornamental design for a magnifying glass, as shown and described.

DESCRIPTION

FIG. 1 is a top, left, front perspective view of the magnifying glass according to my design;

FIG. 2 is a top plan view thereof;

FIG. 3 is a bottom view thereof;

FIG. 4 is a rear elevational view thereof;

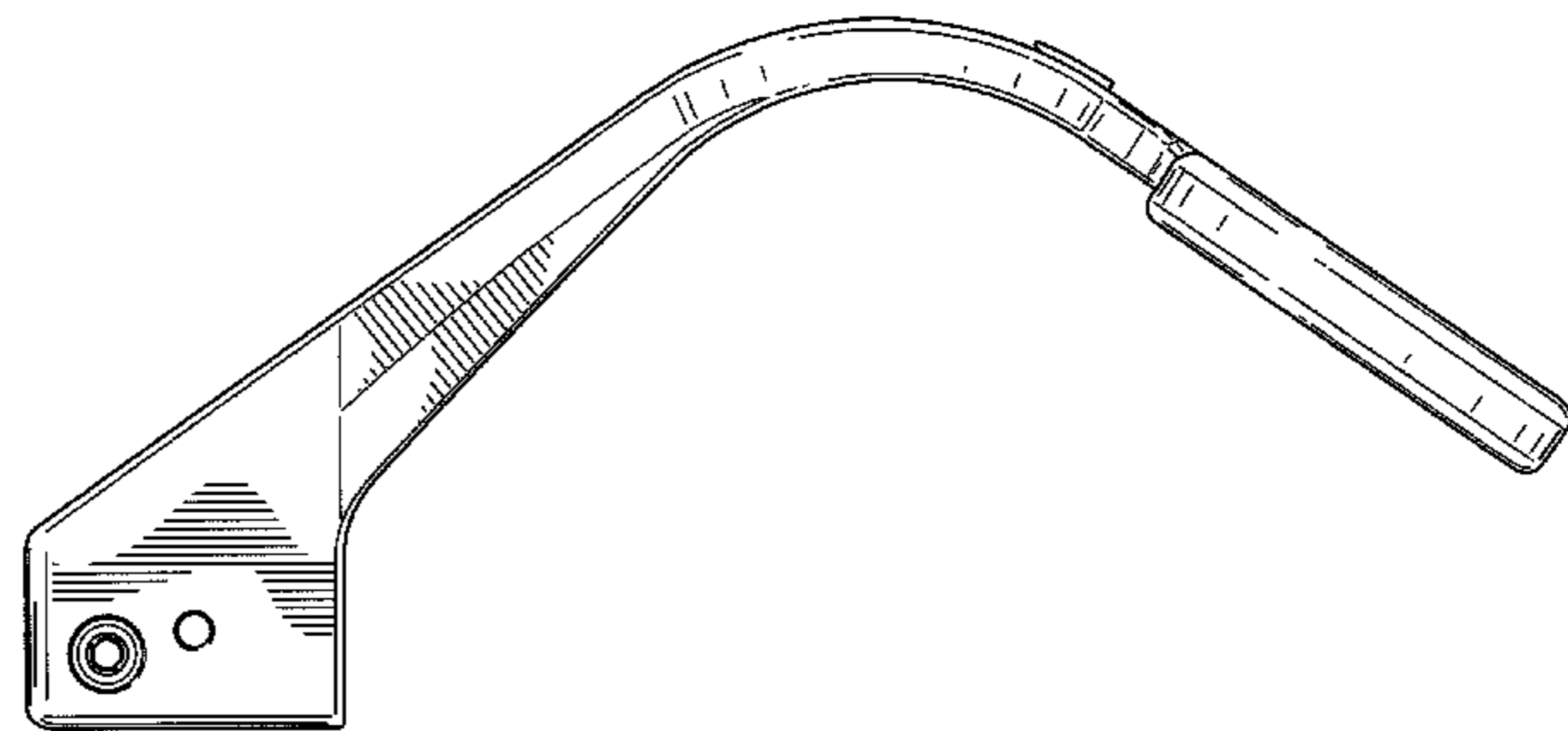
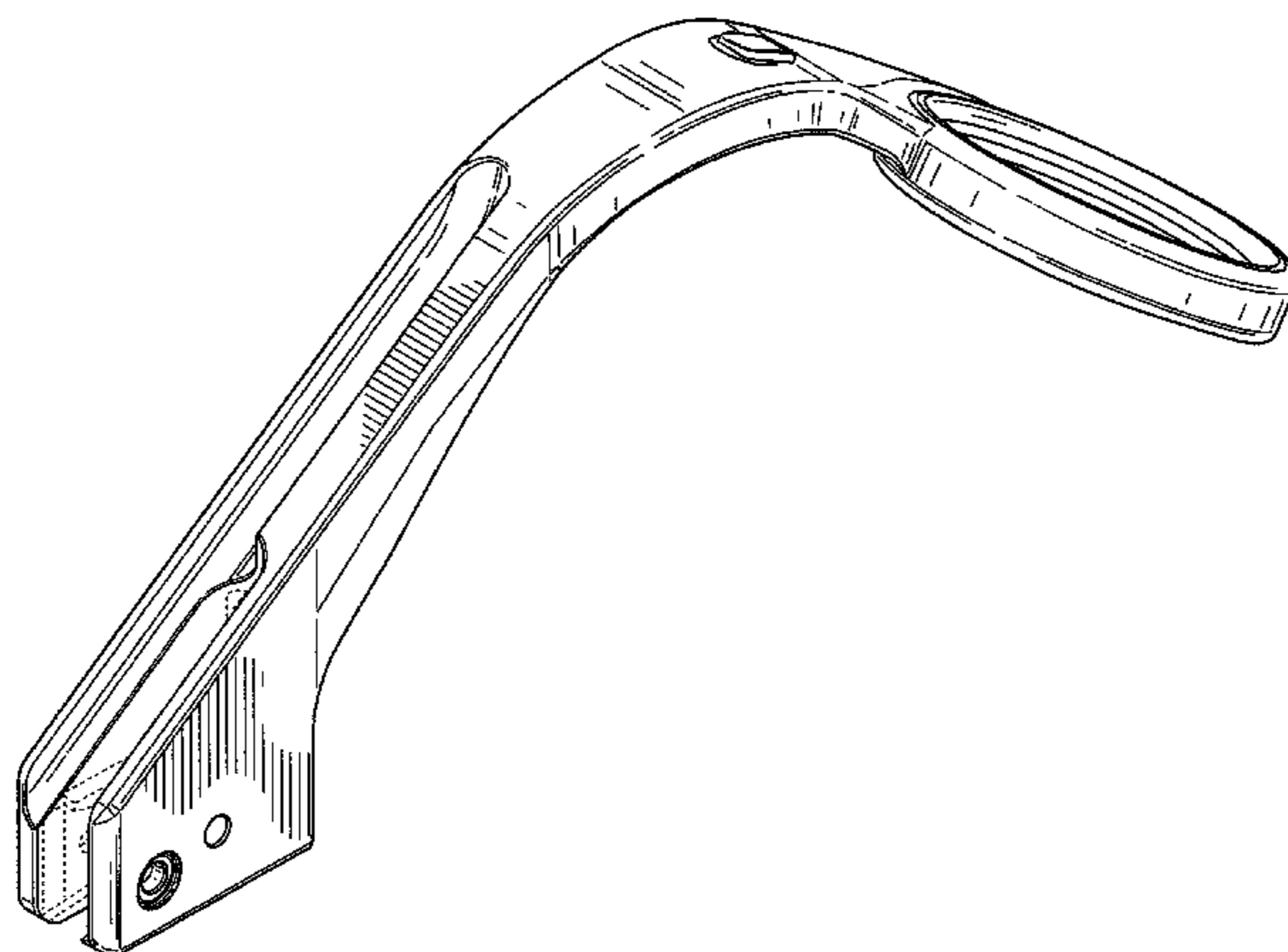
FIG. 5 is a front elevational view thereof;

FIG. 6 is right side elevational view thereof; and,

FIG. 7 is a left side elevational view thereof.

The broken lines form no part of the claimed design.

1 Claim, 7 Drawing Sheets



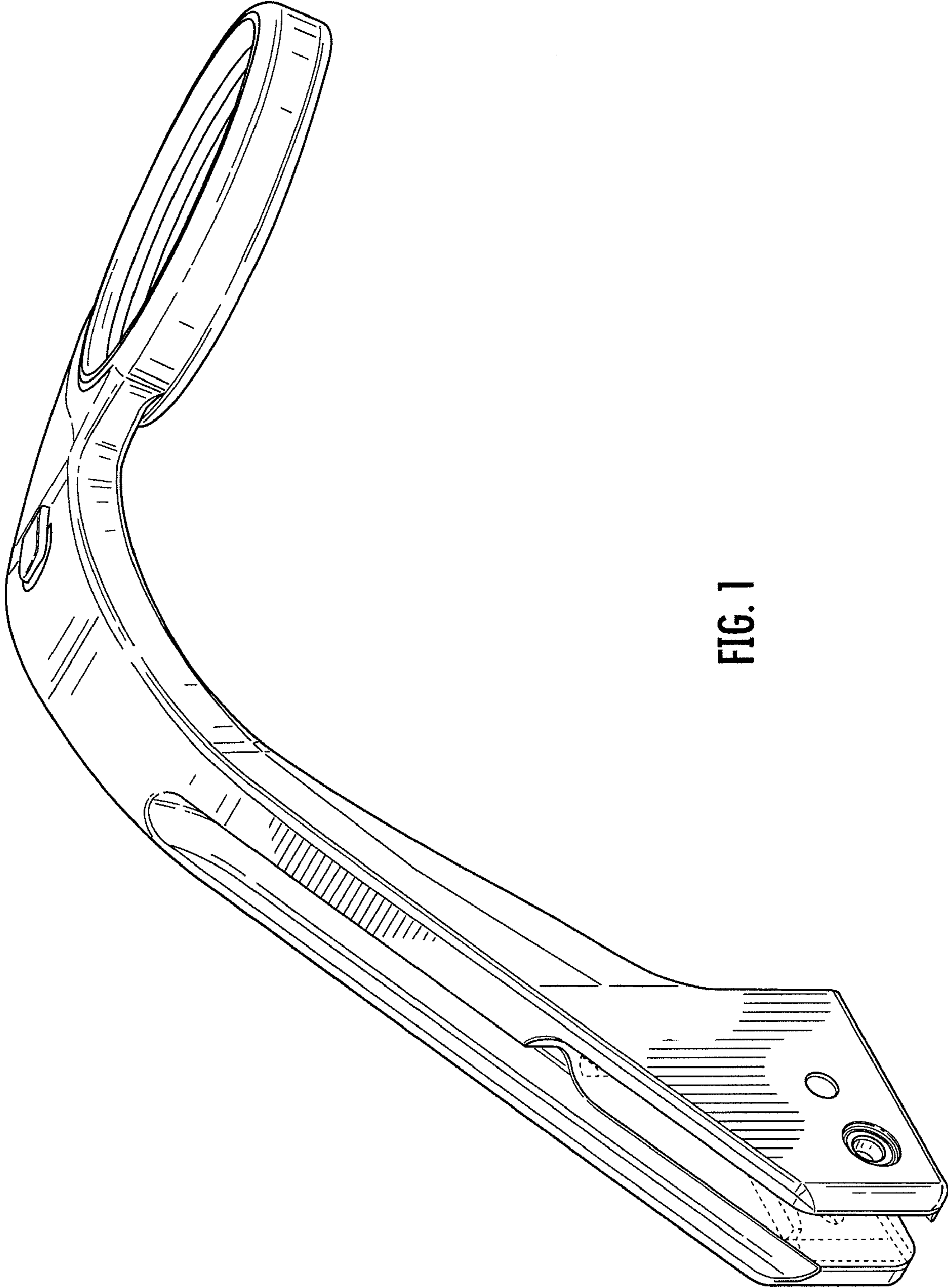


FIG. 1

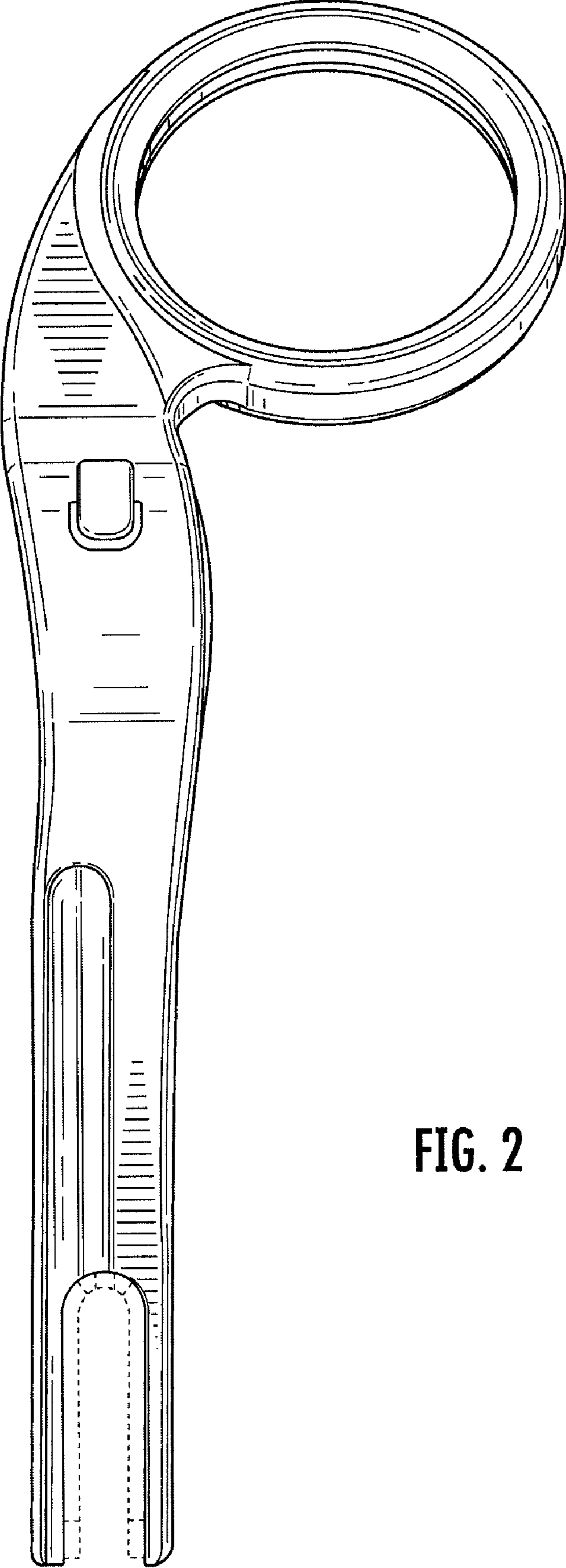


FIG. 2

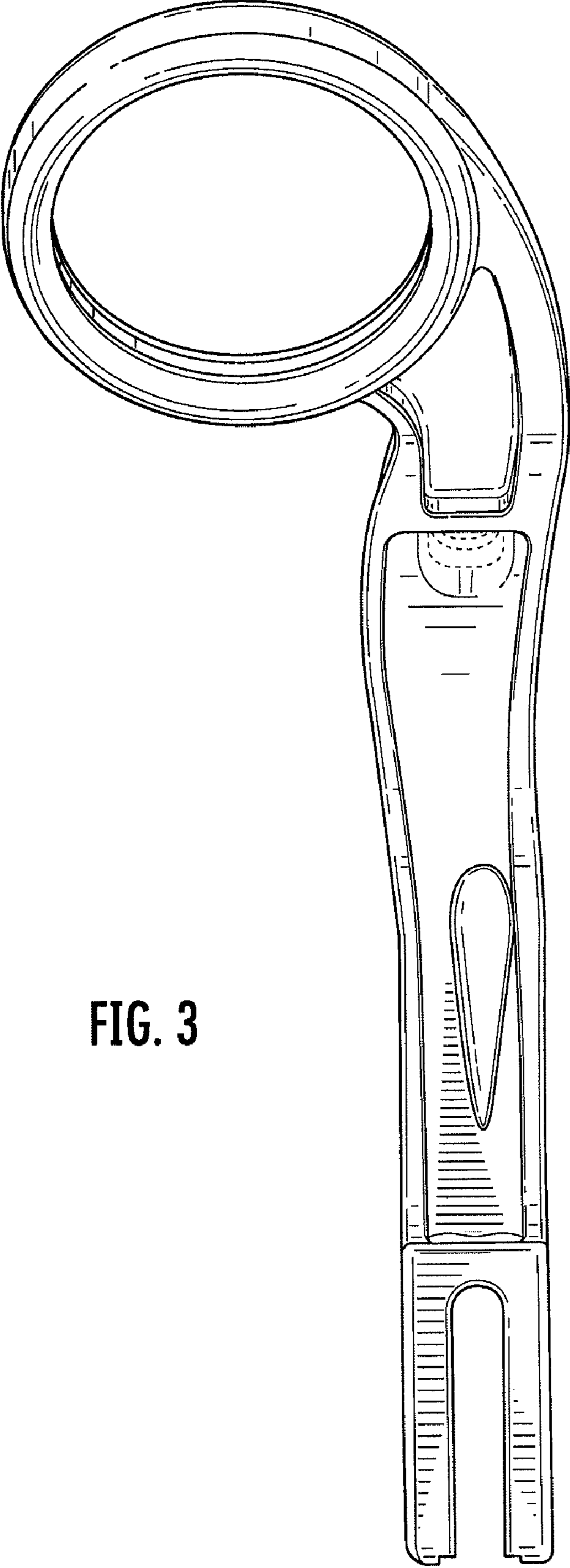


FIG. 3

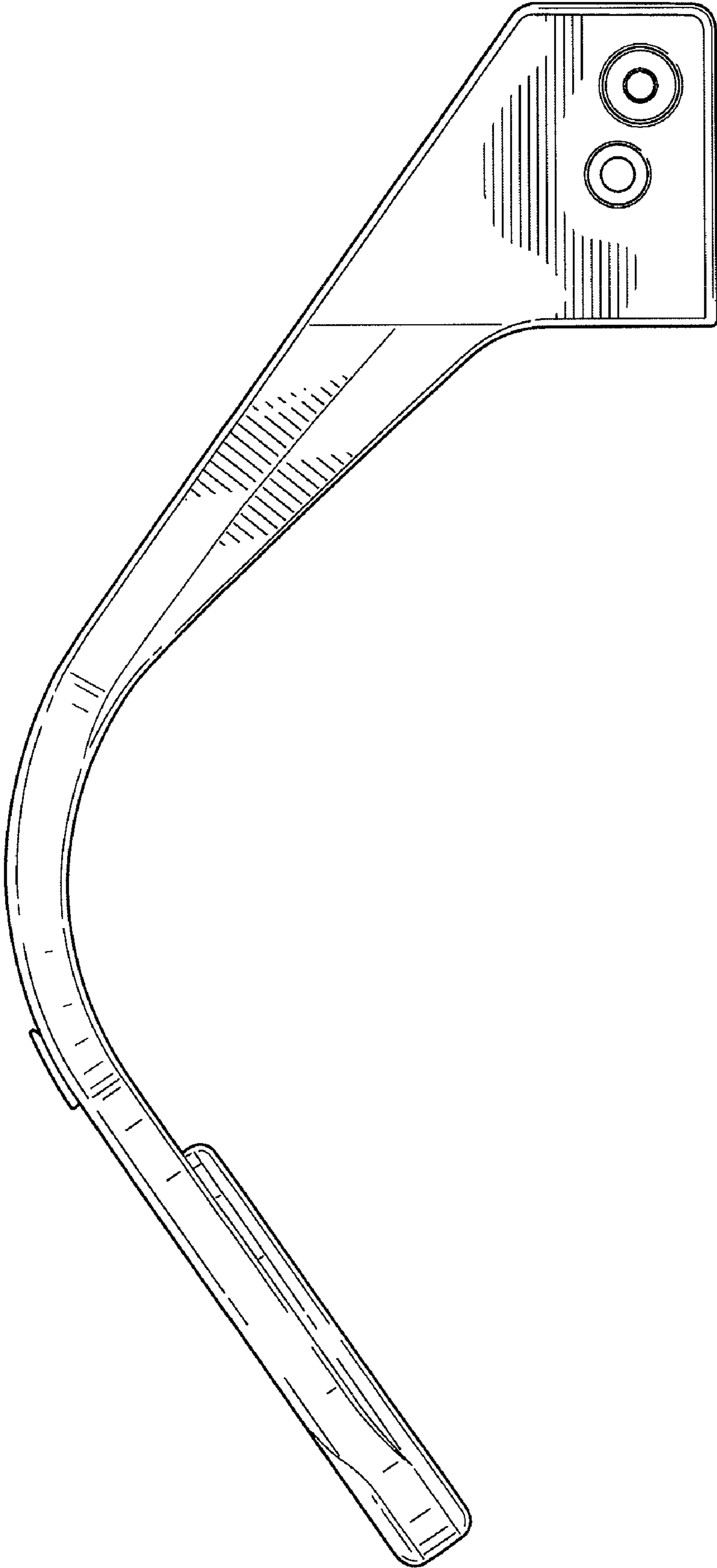


FIG. 4

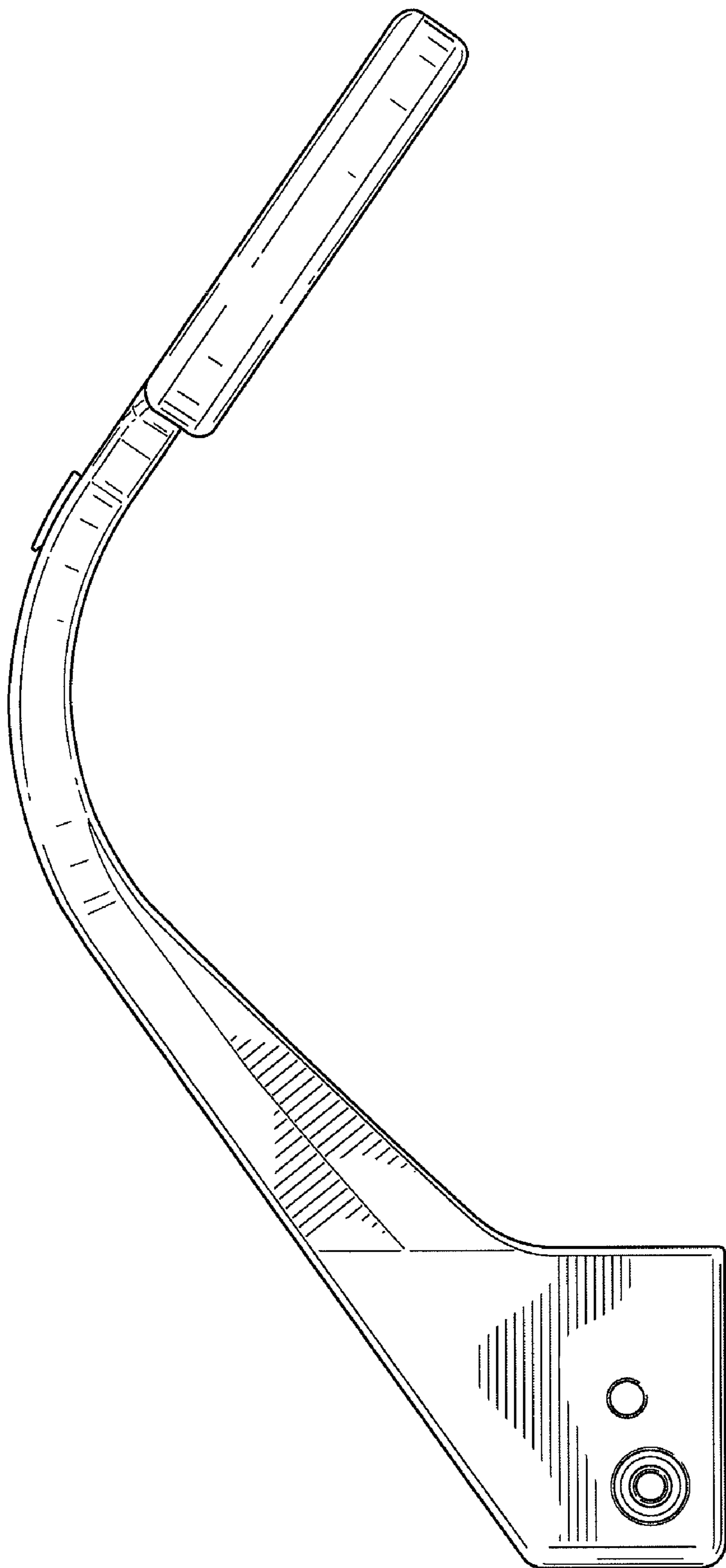


FIG. 5

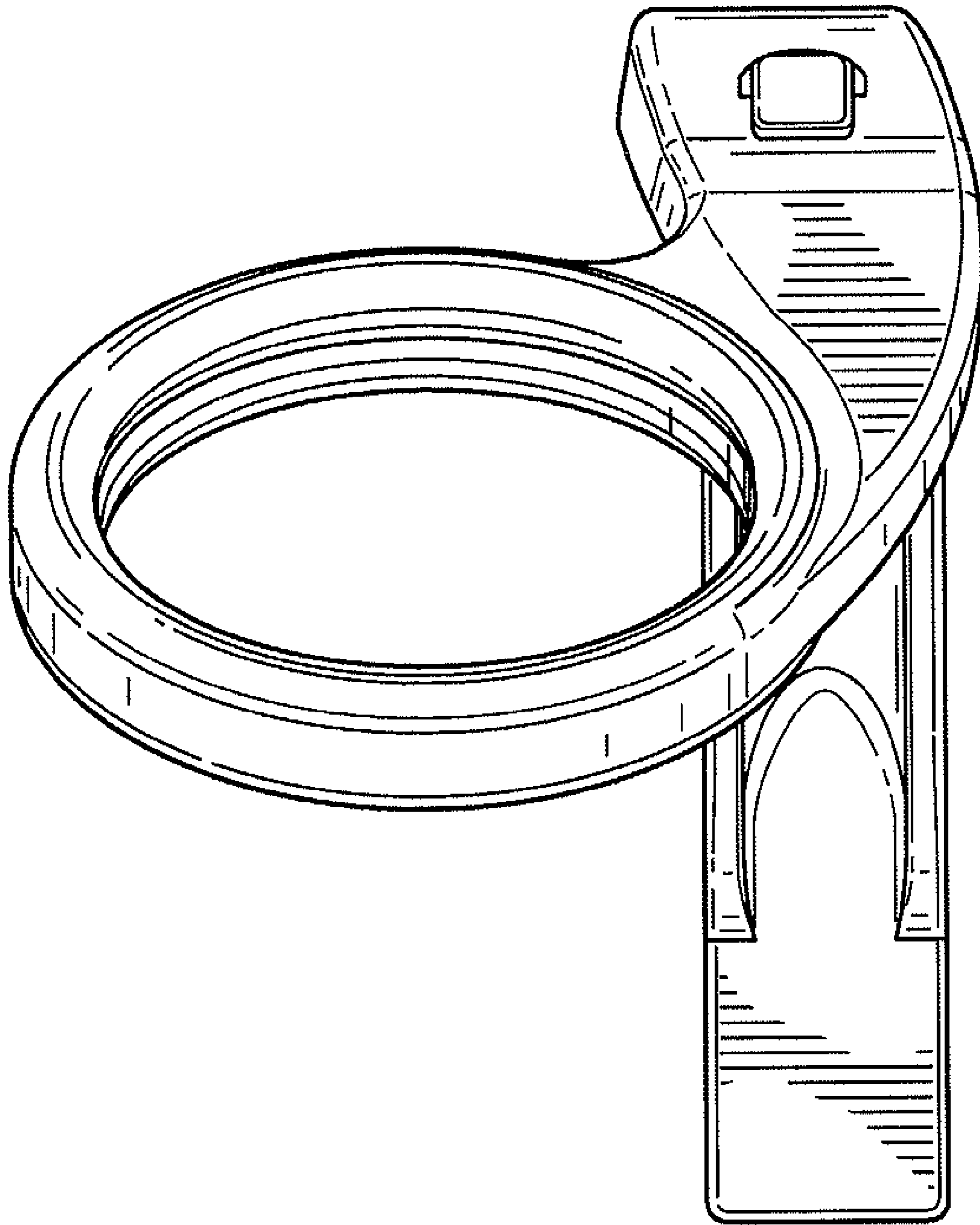


FIG. 6

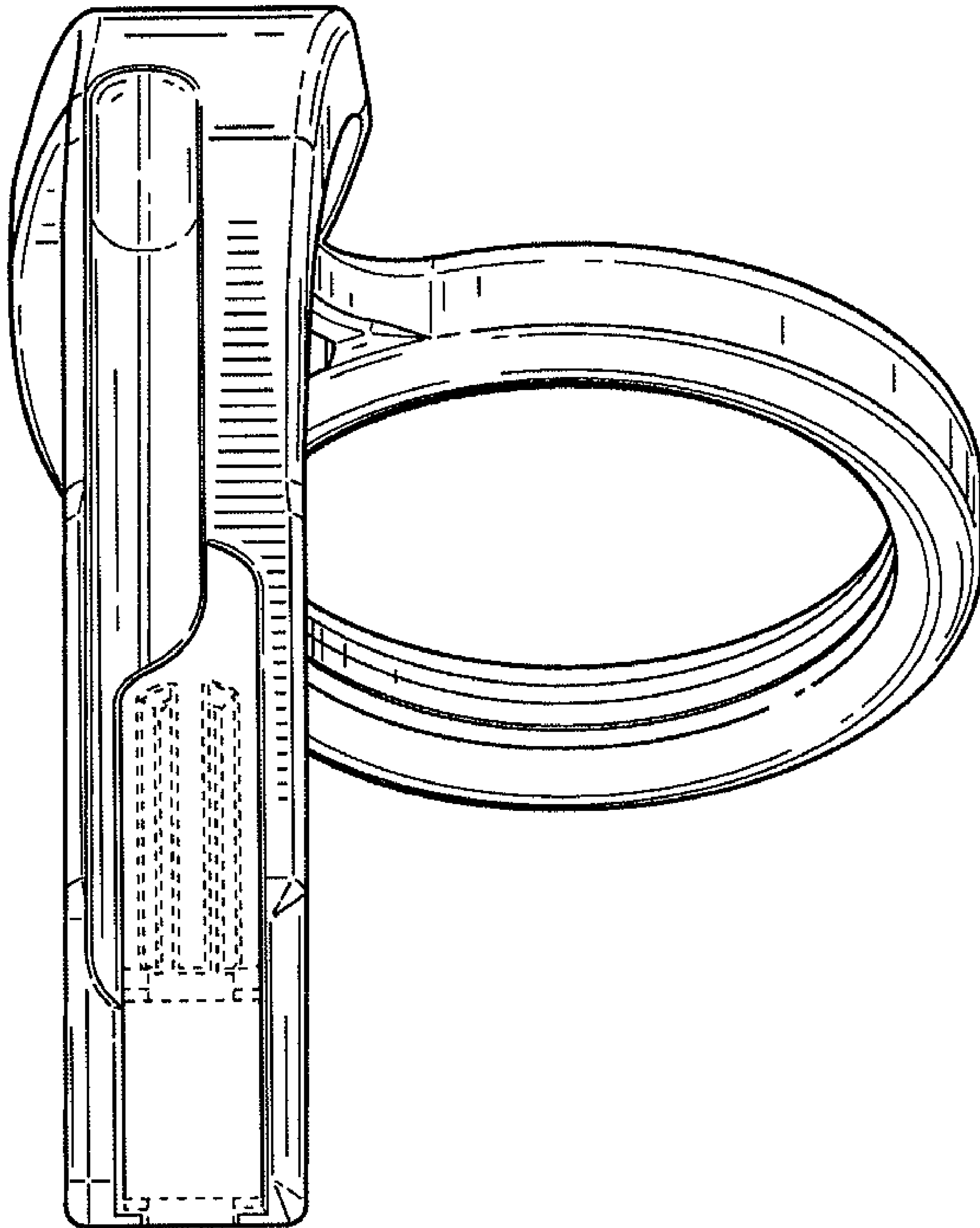


FIG. 7