



US00D621979S

(12) **United States Design Patent**
Hesse et al.

(10) **Patent No.:** **US D621,979 S**
(45) **Date of Patent:** **** Aug. 17, 2010**

(54) **PORTION OF A FLASHLIGHT**

D479,298 S 9/2003 Parsons
D507,066 S * 7/2005 Smith D26/45

(75) Inventors: **Bryan L. Hesse**, Guilford, CT (US);
James Sener, Glastonbury, CT (US);
Christopher D. Hageman, South
Glastonbury, CT (US)

(Continued)

(73) Assignee: **The Gillette Company**, Boston, MA
(US)

OTHER PUBLICATIONS

Baker et al., U.S. Appl. No. 29/335,400, filed Apr. 15, 2009, entitled
"Portion of a Flashlight".

(Continued)

(**) Term: **14 Years**

Primary Examiner—Ian Simmons
Assistant Examiner—Carissa C Fitts

(21) Appl. No.: **29/336,536**

(22) Filed: **May 5, 2009**

(74) *Attorney, Agent, or Firm*—Fish & Richardson P.C.

(51) **LOC (9) Cl.** **26-02**

(52) **U.S. Cl.** **D26/45**

(58) **Field of Classification Search** D26/37,
D26/38, 40–50; 362/157, 158, 183–199,
362/202–208

(57) **CLAIM**

See application file for complete search history.

The ornamental design for a portion of a flashlight, substan-
tially as shown and described.

(56) **References Cited**

DESCRIPTION

U.S. PATENT DOCUMENTS

D83,568 S *	3/1931	Neuwirth	D16/239
D197,731 S	3/1964	Ashe		
D208,660 S *	9/1967	McRoskey et al.	D26/48
D210,408 S *	3/1968	Tesar	D26/48
D221,584 S *	8/1971	Wierzbiki	D26/45
D239,557 S *	4/1976	Nichol	D26/48
D256,278 S *	8/1980	Wong et al.	D26/46
D267,349 S *	12/1982	Asano	D26/37
D276,850 S *	12/1984	McCollum	D26/38
D311,778 S *	10/1990	Dennis	D26/45
D353,216 S	12/1994	Sharrah et al.		
D357,086 S *	4/1995	Poon	D26/48
D360,043 S *	7/1995	Inukai	D26/48
D363,361 S	10/1995	Maglica		
D367,721 S	3/1996	Maglica		
D368,045 S	3/1996	Akers, Sr.		
D399,581 S *	10/1998	Giese et al.	D26/46
D429,013 S *	8/2000	Poon	D26/45
D441,112 S *	4/2001	Krieger et al.	D26/45
D466,637 S	12/2002	Gisser		

FIG. 1 is a perspective view of the flashlight as seen from the front, left side;

FIG. 2 is a front elevational view of the flashlight of FIG. 1;

FIG. 3 is a left side elevational view of the flashlight of FIG. 1, the other side elevational view being a mirror image thereof;

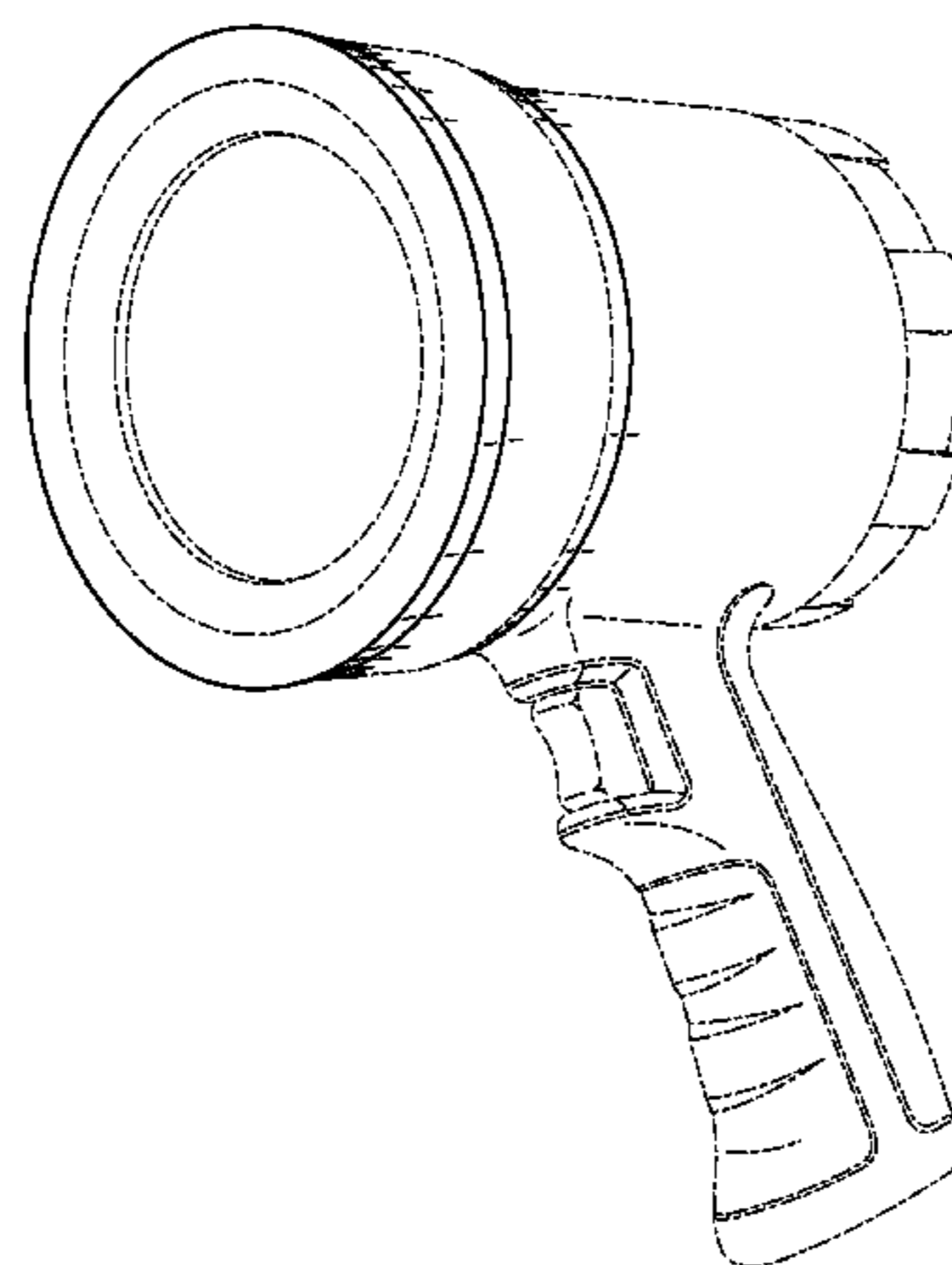
FIG. 4 is a rear elevational view of the flashlight of FIG. 1;

FIG. 5 is a top plan view of the flashlight of FIG. 1; and,

FIG. 6 is a bottom plan view of the flashlight of FIG. 1.

The broken lines which define the bounds of the claimed design form no part thereof. The broken lines showing the remainder of the flashlight are for illustrative purposes only and form no part of the claimed design.

1 Claim, 6 Drawing Sheets



U.S. PATENT DOCUMENTS

D551,366 S 9/2007 Galli
D574,984 S 8/2008 Hesse et al.
D579,594 S 10/2008 Hesse et al.

OTHER PUBLICATIONS

Baker et al., U.S. Appl. No. 29/335,396, filed Apr. 15, 2009, entitled "Portion of a Flashlight".
Baker et al., U.S. Appl. No. 29/335,393, filed Apr. 15, 2009, entitled "Portion of a Flashlight".
Baker et al., U.S. Appl. No. 29/314,643, filed Apr. 15, 2009, entitled "Portion of a Flashlight".
Hesse et al., U.S. Appl. No. 29/314,639, filed Apr. 15, 2009, entitled "Portion of a Headlamp".

Hesse et al., U.S. Appl. No. 29/314,638, filed Apr. 15, 2009, entitled "Portion of a Headlamp".

Baker et al., U.S. Appl. No. 29/314,636, filed Apr. 15, 2009, entitled "Portion of a Flashlight".

Baker et al., U.S. Appl. No. 29/314,630, filed Apr. 15, 2009, entitled "Portion of a Flashlight".

"All-Purpose Flashlight", Item # 4930, Crestline Custom Imprinted Products, Summer 2008 Catalog, top right corner of p. 27, Examiner's Collection of NPL References, (catalog cover page included).

Hesse et al., U.S. Appl. No. 29/296,218, filed Oct. 16, 2007, entitled "Flashlight".

Hesse et al., U.S. Appl. No. 29/292,537, filed Oct. 16, 2007, entitled "Flashlight".

* cited by examiner

FIG. 1

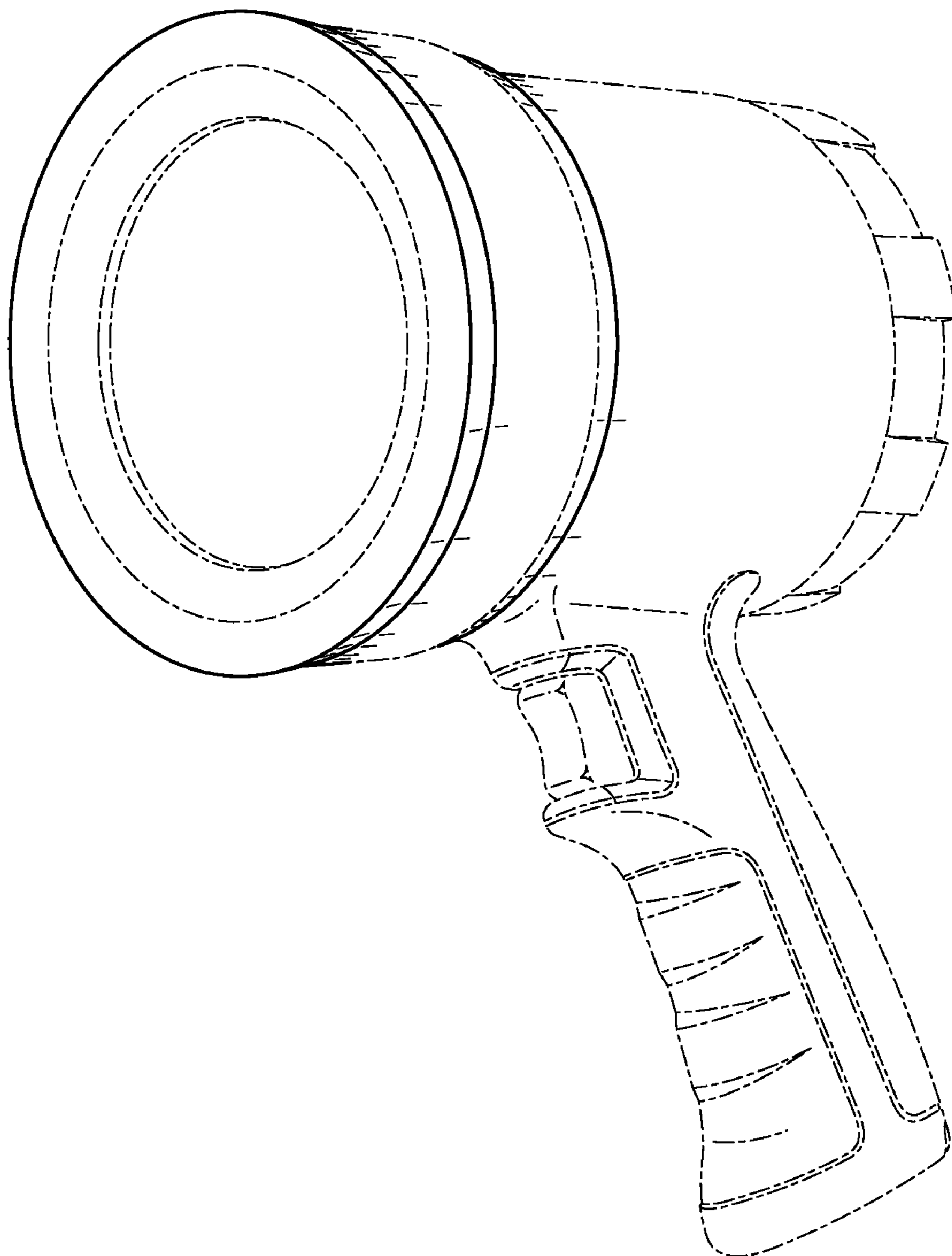


FIG. 2

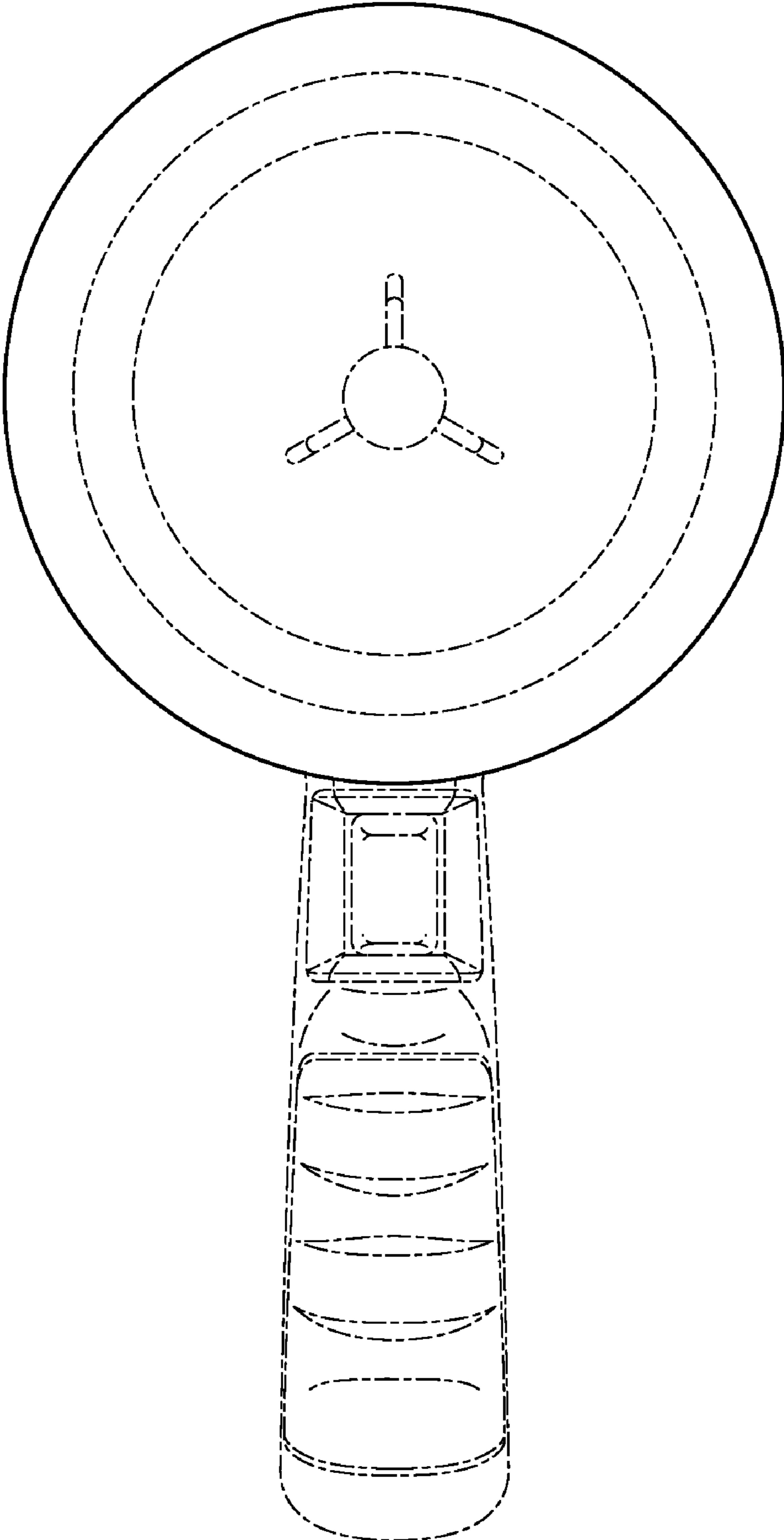


FIG. 3

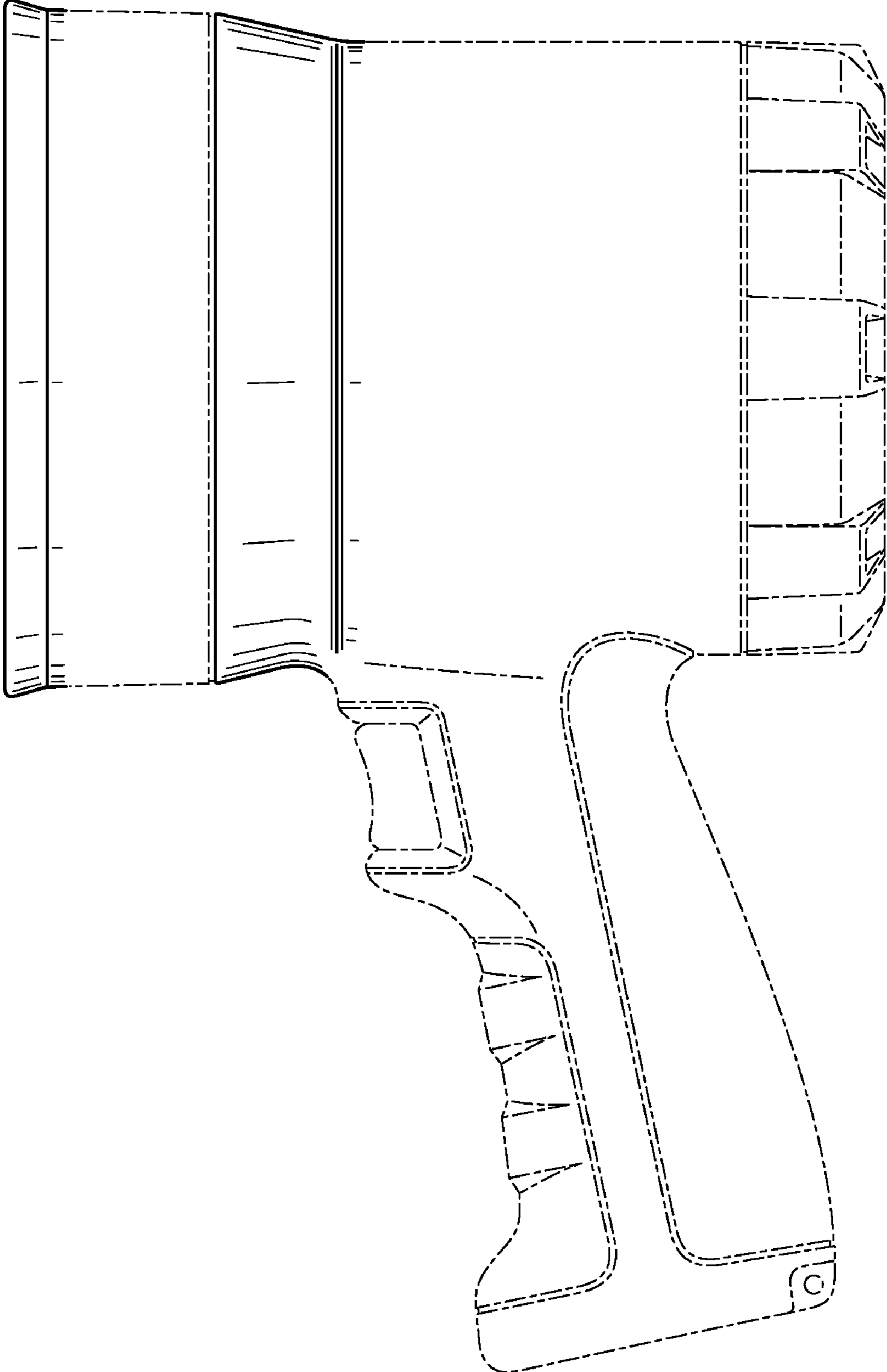


FIG. 4

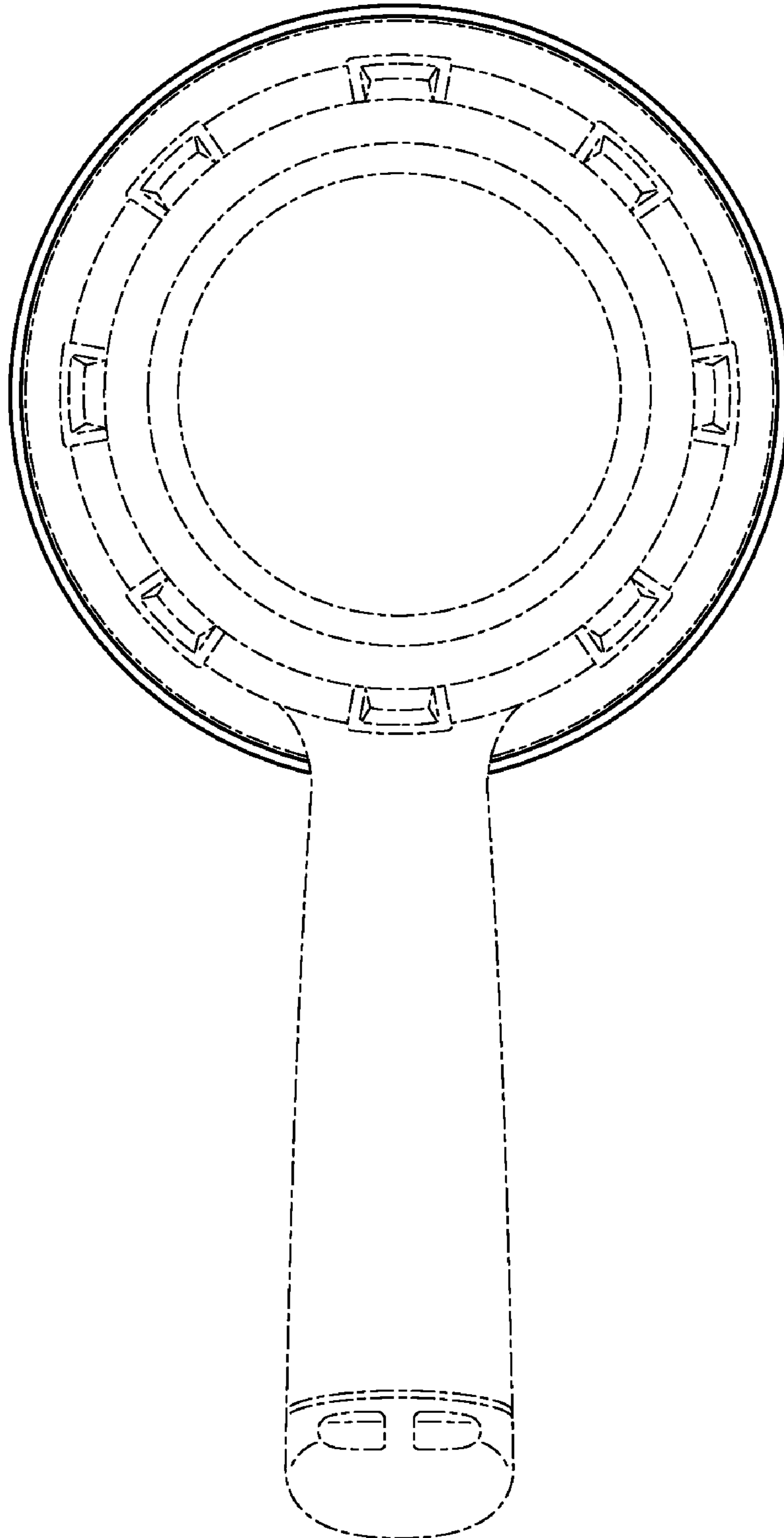


FIG. 5

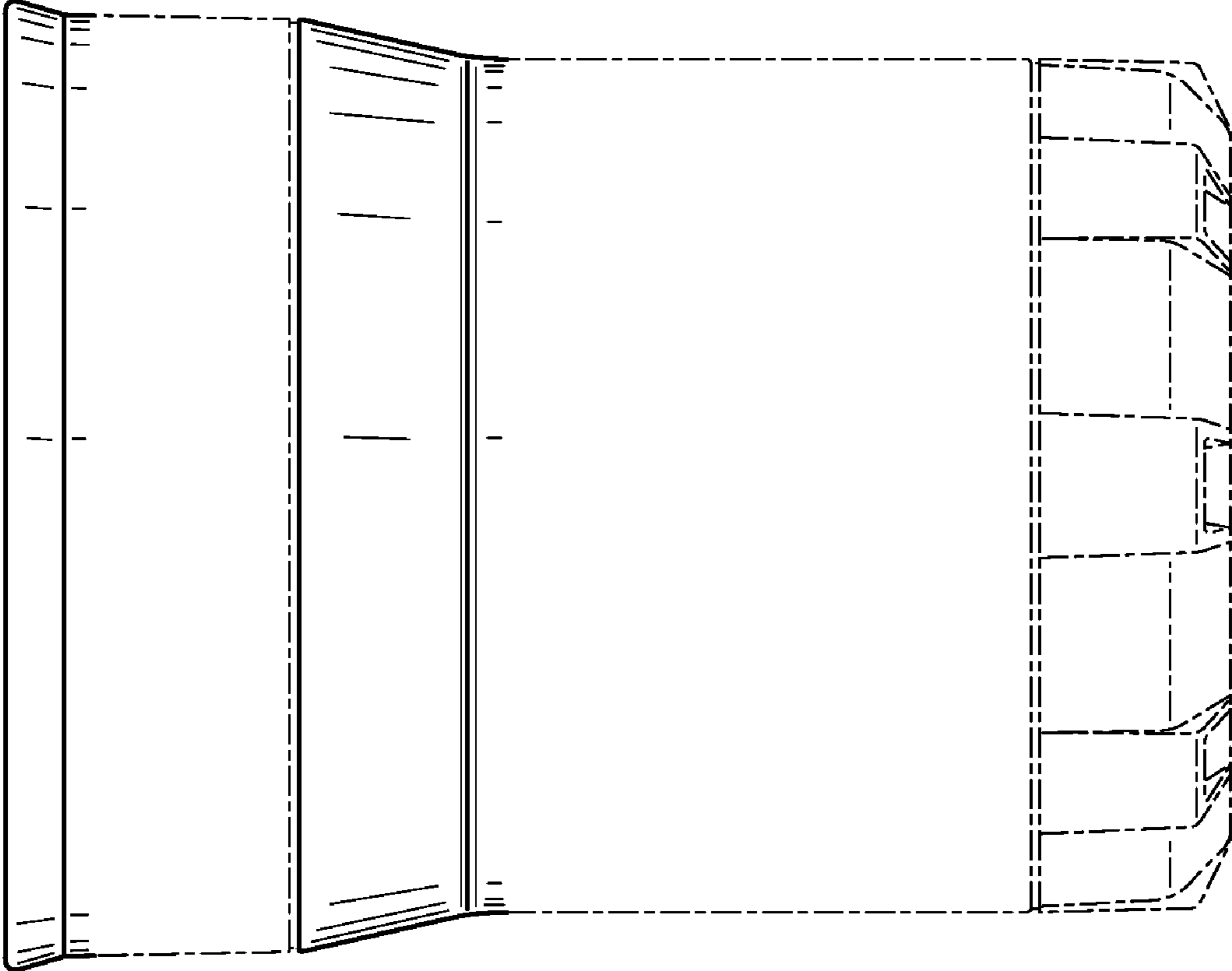


FIG. 6

