



US00D621978S

(12) **United States Design Patent**
Hayashi et al.

(10) **Patent No.:** **US D621,978 S**

(45) **Date of Patent:** **** Aug. 17, 2010**

(54) **REAR COMBINATION LAMP FOR VEHICLE**

FOREIGN PATENT DOCUMENTS

(75) Inventors: **Hideo Hayashi**, Fujisawa (JP);
Chin-Hsuan Chen, Yonghe (TW)

JP D1206531 5/2004

* cited by examiner

(73) Assignee: **Nissan Motor Co., Ltd.**, Yokohama-shi (JP)

Primary Examiner—Marcus A Jackson

(74) *Attorney, Agent, or Firm*—Foley & Lardner LLP

(**) Term: **14 Years**

(57) **CLAIM**

(21) Appl. No.: **29/319,196**

The ornamental design for a rear combination lamp for vehicle, as shown and described.

(22) Filed: **Jun. 5, 2008**

DESCRIPTION

(51) **LOC (9) Cl.** **26-06**

FIG. 1 is a perspective view of a rear combination lamp for vehicle;

(52) **U.S. Cl.** **D26/28**

FIG. 2 is a front view thereof;

(58) **Field of Classification Search** D26/28–36;
362/459–468, 475–478, 485–487

FIG. 3 is a rear view thereof;

See application file for complete search history.

FIG. 4 is a top plan view thereof;

FIG. 5 is a bottom plan view thereof;

(56) **References Cited**

U.S. PATENT DOCUMENTS

D497,328 S	10/2004	Aikawa	
D549,363 S *	8/2007	Pfeiffer	D26/28
D553,268 S *	10/2007	Pfeiffer	D26/28
D553,269 S *	10/2007	Pfeiffer et al.	D26/28
D561,357 S *	2/2008	Leclercq	D26/28
D565,211 S *	3/2008	Haller et al.	D26/28
D574,524 S *	8/2008	Tomatsu	D26/28

FIG. 6 is a left side view thereof;

FIG. 7 is a right side view thereof; and,

FIG. 8 is a perspective view thereof, wherein the black lines which appear on the surface of the lamp are applied for illustrating the surface contour of the outer lens and forms no part of the claimed design.

1 Claim, 6 Drawing Sheets



Fig.1

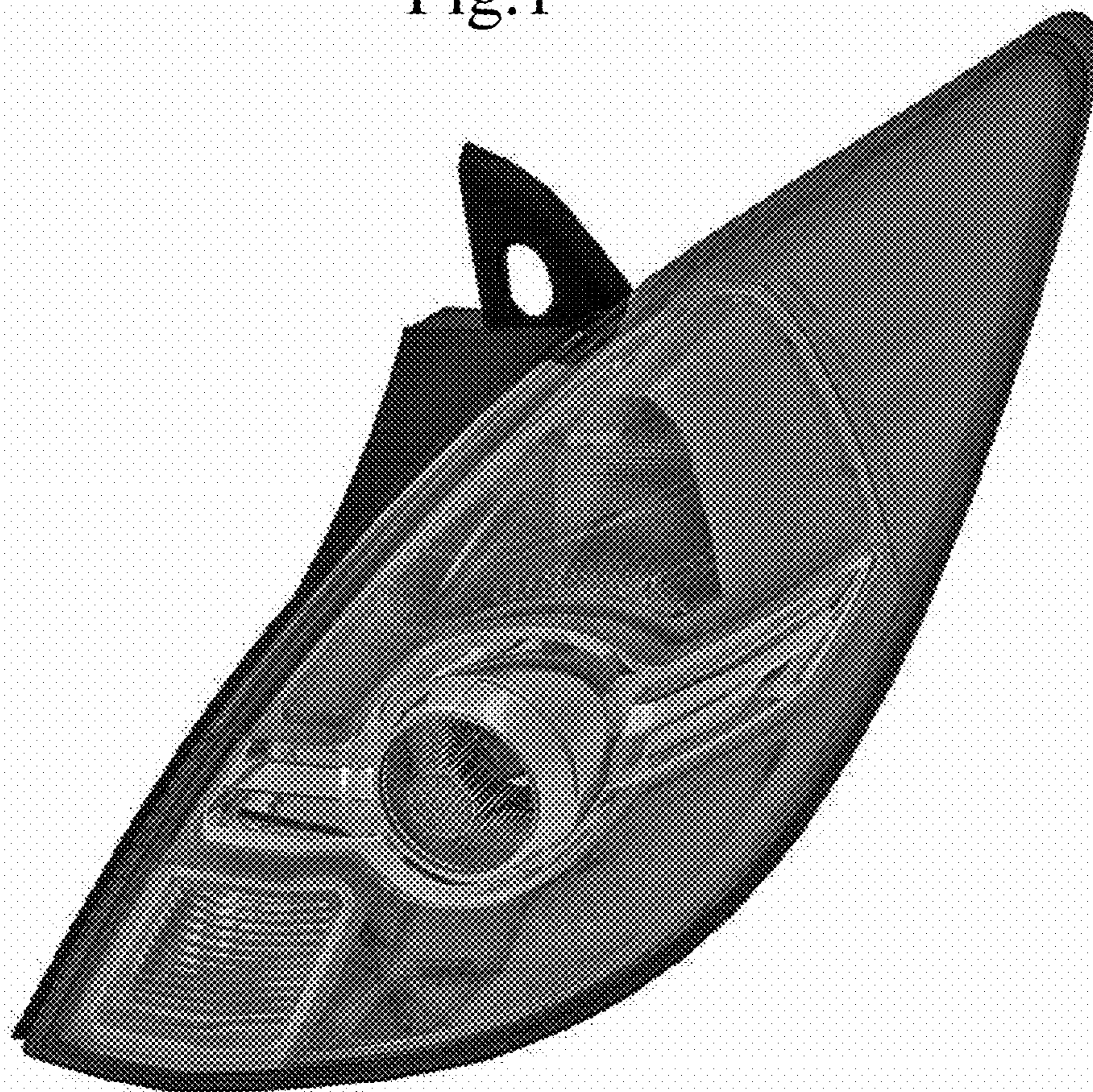


Fig.2



Fig.3

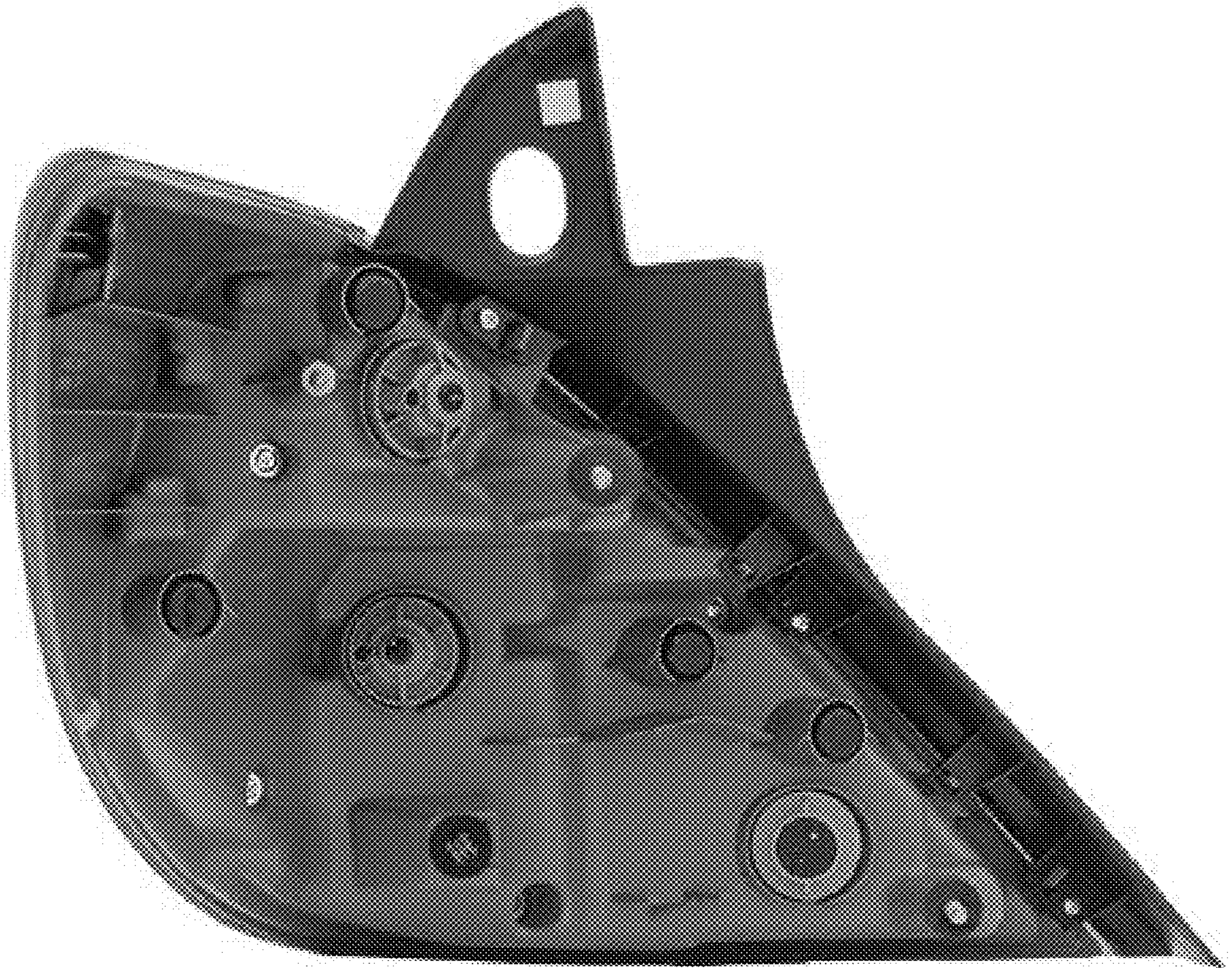


Fig.4

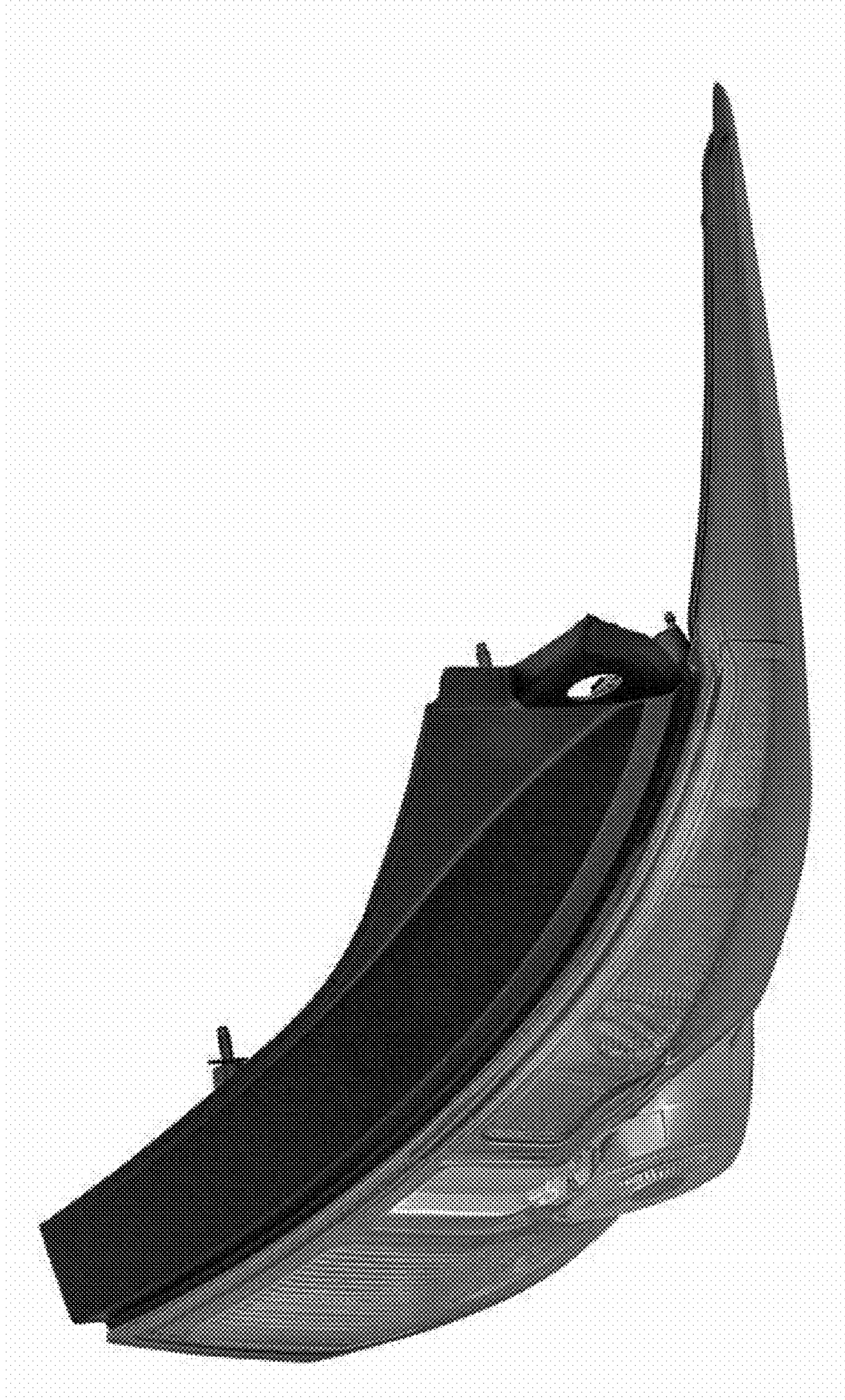


Fig.5

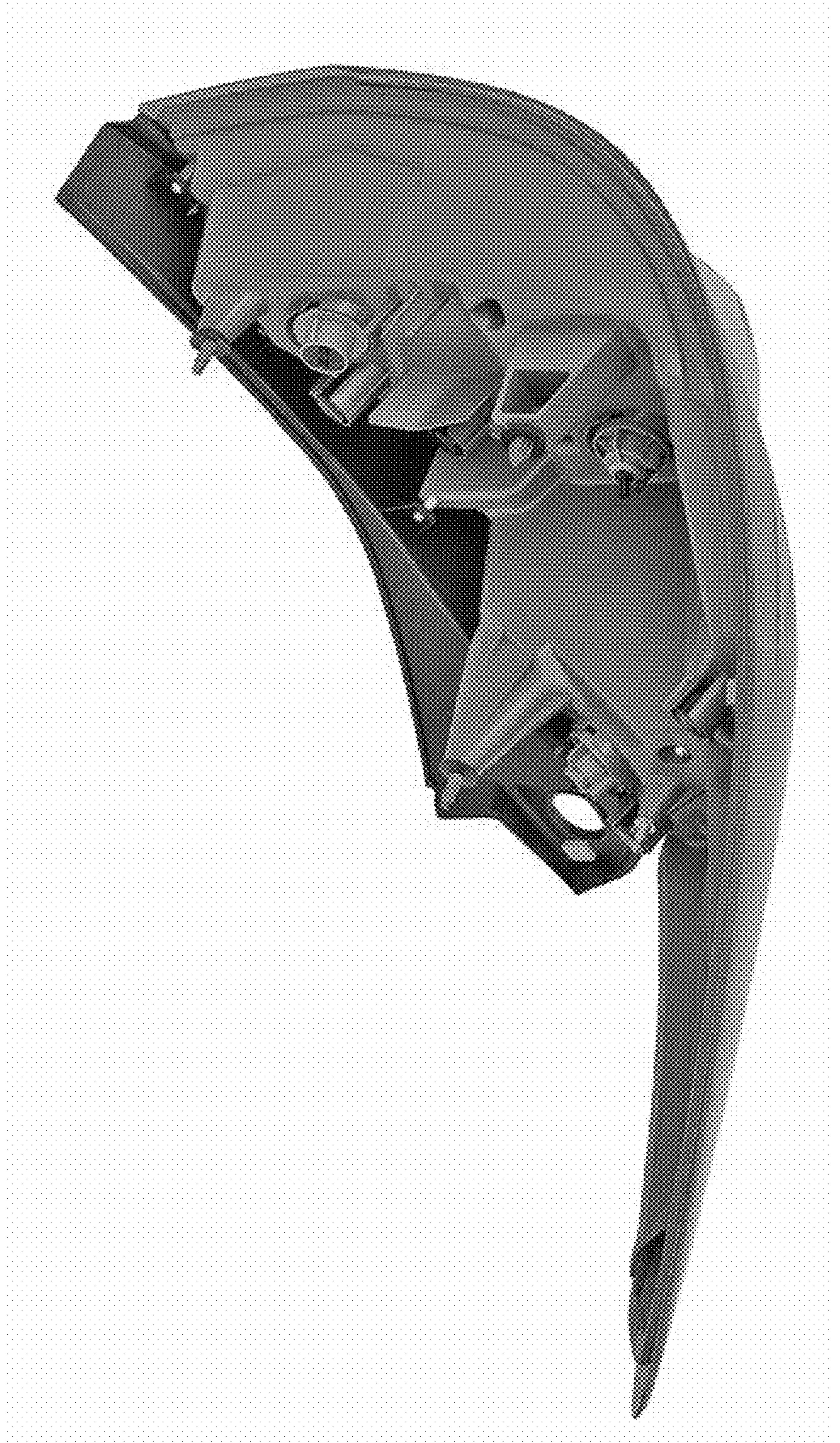


Fig.6

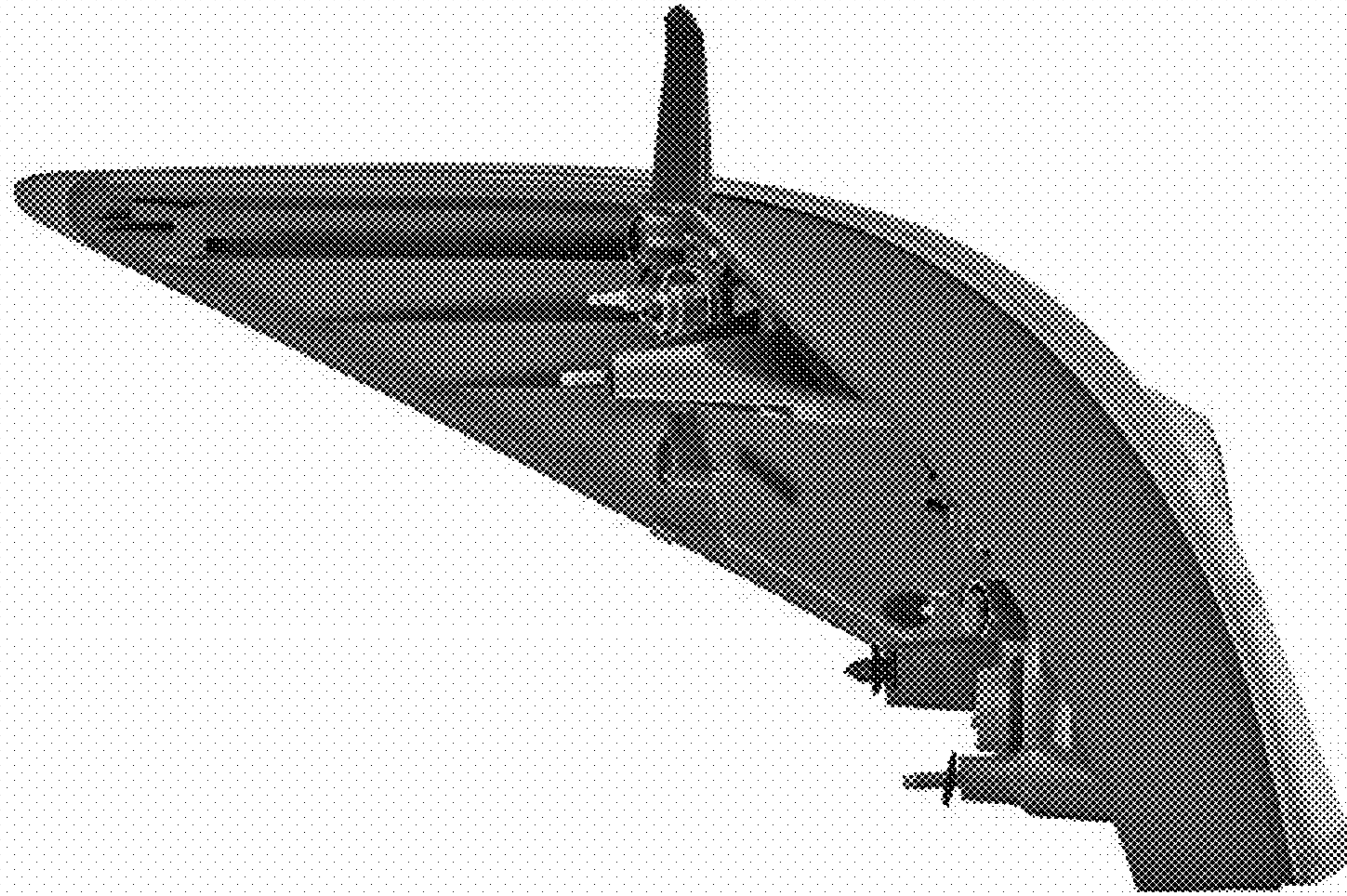


Fig.7

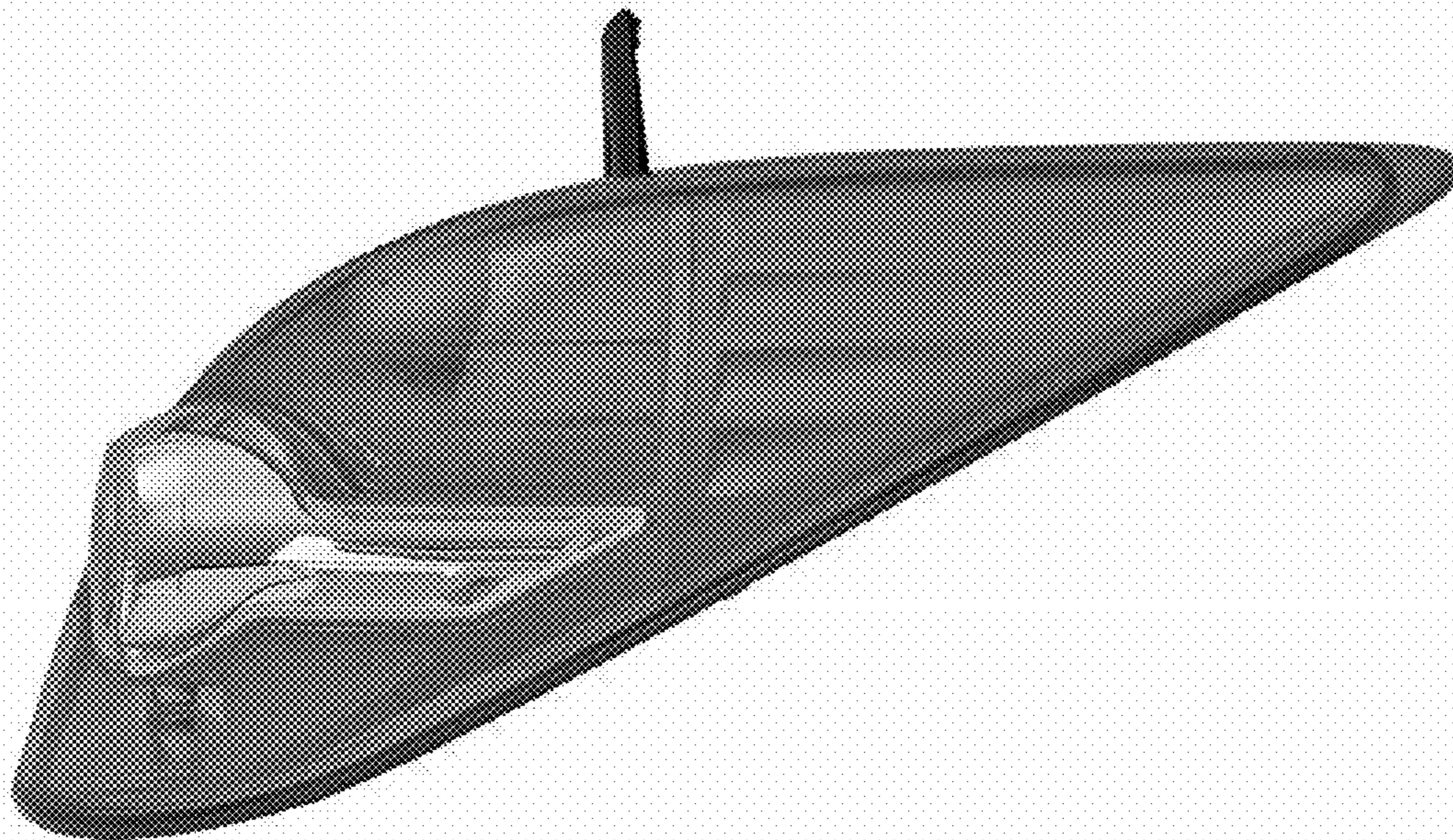


Fig.8

