



US00D621973S

(12) **United States Design Patent**  
**Grajcar**

(10) **Patent No.:** **US D621,973 S**

(45) **Date of Patent:** **\*\* \*Aug. 17, 2010**

(54) **LAMP**

(75) Inventor: **Zdenko Grajcar**, Crystal, MN (US)

(73) Assignee: **Once Innovations, Inc.**, Plymouth, MN (US)

(\*\*) Term: **14 Years**

(21) Appl. No.: **29/342,575**

(22) Filed: **Aug. 27, 2009**

(51) **LOC (9) Cl.** ..... **26-04**

(52) **U.S. Cl.** ..... **D26/2**

(58) **Field of Classification Search** ..... D26/1-4;  
313/313, 315, 316, 317, 318, 493; 315/52,  
315/53, 56, 57, 58

See application file for complete search history.

(56) **References Cited**

**U.S. PATENT DOCUMENTS**

6,478,450 B1	11/2002	Grajcar	
D534,664 S *	1/2007	Geens	D26/2
D545,456 S *	6/2007	Foo	D26/2
D561,917 S *	2/2008	Tsao	D26/2
D568,498 S *	5/2008	Degenhard et al.	D26/2
D581,555 S *	11/2008	To et al.	D26/2
D590,075 S	4/2009	Grajcar	
D590,076 S	4/2009	Grajcar	
D590,077 S	4/2009	Grajcar	
D593,222 S *	5/2009	To et al.	D26/2
D594,997 S *	6/2009	Zhu et al.	D26/2
D600,837 S	9/2009	Grajcar	
D601,276 S	9/2009	Grajcar	
D601,277 S	9/2009	Grajcar	
D601,279 S	9/2009	Ou et al.	

D601,721 S *	10/2009	Foo	D26/2
D602,179 S *	10/2009	Foo	D26/2
7,598,682 B2	10/2009	Grajcar	
D604,434 S	11/2009	Wada et al.	
D610,723 S	2/2010	Grajcar	

**OTHER PUBLICATIONS**

“Bulbs.com Product Search - HPARRY0809 - p. 1”, [online], [retrieved Mar. 8, 2010] Retrieved from Bulbs.com website using Internet <URL:http://www.bulbs.com/results.aspx?affid=7&cm\_mmc=yahoo-\_-Brand-\_-bulbs.com-\_-bulbs.com&Ntk=all&Ntt=hparray0809&Ntx=mode+matchallpartial>. 1-3.

(Continued)

*Primary Examiner*—Marcus A Jackson

(74) *Attorney, Agent, or Firm*—Craig O. Thompson; Thompson Patent Law Offices PC

(57) **CLAIM**

The ornamental design for a lamp, as shown and described.

**DESCRIPTION**

FIG. 1 is a front perspective view of a lamp showing my new design;

FIG. 2 is a rear perspective view of the lamp of FIG. 1;

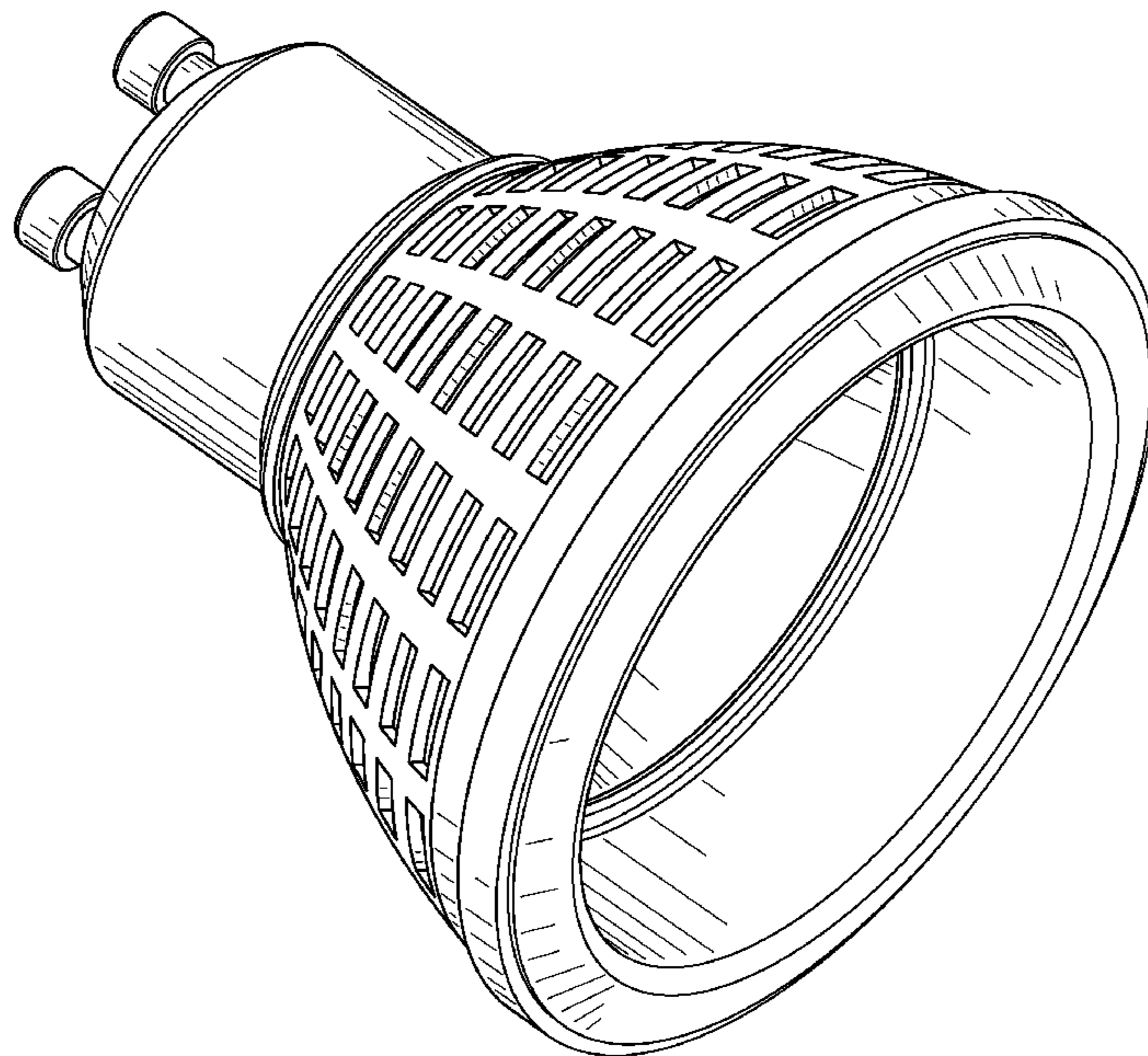
FIG. 3 is a side elevation view of the lamp of FIG. 1, the opposite side being a mirror image thereof;

FIG. 4 is a front plan view of the lamp of FIG. 1; and,

FIG. 5 is a rear plan view of the lamp of FIG. 1.

The claimed ornamental design is shown embodied on an assembly that may be used, for example, as a GU 10 style lamp. In an illustrative example, the lamp may incorporate an LED light source.

**1 Claim, 5 Drawing Sheets**



## OTHER PUBLICATIONS

“Bulbs.com Product Search - HPARRY0809 - p. 2”, [online], [retrieved Mar. 8, 2010] Retrieved from Bulbs.com website using Internet <URL: [http://www.bulbs.com/results.aspx?affid=7&cm\\_mmc=yahoo-\\_-Brand-\\_-bulbs.com-\\_-bulbs.com&Ntk=all&Ntt=hparray0809&Ntx=mode+matchallpartial](http://www.bulbs.com/results.aspx?affid=7&cm_mmc=yahoo-_-Brand-_-bulbs.com-_-bulbs.com&Ntk=all&Ntt=hparray0809&Ntx=mode+matchallpartial)>. 1-3.

“Grainger Troffer Lighting Fixtures”, [online], [retrieved on Mar. 13, 2010] Retrieved from Grainger.com using Internet <URL: <http://www.grainger.com/Grainger/wwg/search.shtml?searchQuery=troffer+lighting+fixtures&op=search&Ntt=troffer+lighting+fixtures&N=0&sst=subset>>. 1-3.

“Philips LED PAR30 Long Neck”, [online], [retrieved on Mar. 11, 2010] Retrieved from LightingSupply.com using Internet <URL: <https://www.lightingsupply.com/products/category.aspx?category=ec7dca17eec14750bfa8e9e301720fca>>. 1.

“Led PAR30 Bulbs”, [online], [retrieved on Mar. 8, 2010] Retrieved from Polar-Ray.com using Internet <URL: [http://www.polar-ray.com/PAR30\\_c\\_76.html](http://www.polar-ray.com/PAR30_c_76.html)>. 1-2.

“PAR30 LED Light Bulbs”, [online], [retrieved Mar. 13, 2010] Retrieved from PanopticsLighting.com using Internet <URL: <http://shop.panopticslighting.com/par30-led-light-bulbs.aspx>>. 1-2.

“Philips 11PAR30L/END/F25/27K/120”, [online], [retrieved on Mar. 8, 2010] Retrieved from LightingSupply.com using Internet <URL: <https://www.lightingsupply.com/11PAR30L-END-F25-27K-120.aspx>>. 1.

“Pure Light LED bulbs”, [online], [retrieved on Mar. 8, 2010] Retrieved from LumiaBulbs.com using Internet <URL: <http://www.lumiabulbs.com/catalog/item/7179781/7361416.html>>. 1-2.

“2009 Store hours & contact information”, [online], [retrieved on Mar. 8, 2010] Retrieved from LumiaBulbs.com using Internet <URL: <http://www.lumiabulbs.com/contactinfo.html>>. 1-2.

“LED Screw Base Bulbs - PAR30, PAR20, PAR38, PAR16”, [online], [retrieved Mar. 8, 2010] Retrieved from EverBrightLights.com using Internet <URL: <http://www.everbrightlights.com/screw.html>>. 1-3.

“Huanqiu Led Lighting Co., Ltd.”, [online], [retrieved Mar. 13, 2010] Retrieved from HQLed.com using Internet <URL: [http://www.hgled.com/LED\\_Spotlight/HQ-PAR30-7001A.html](http://www.hgled.com/LED_Spotlight/HQ-PAR30-7001A.html)>. 1-2.

“Single Color LED PAR Lamp”, [online], [retrieved Mar. 8, 2010] Retrieved from China-LED-Manufacturer.com using Internet <URL: <http://www.china-led-manufacturer.com/china/led-lamps-single-color-led-par-lamp.htm>>. 1-2.

“LED Bulbs, Warm White, Tru White, PAR30”, [online], [retrieved Mar. 8, 2010] Retrieved from Ledtronics.com using Internet <URL: <http://www.ledtronics.com/media/PressReleases.aspx?pressID=1>>. 1.

“Lighting Science SoL LED Lamps: R20/R30/R38”, [online], [retrieved Mar. 11, 2010] Retrieved from Mouser.com using Internet <URL: <http://www.mouser.com/lightingsciencesolledlamps/>>. 1.

“High Power LED PAR30 Spotlight Bulb with Long Lifespan”, [online], [retrieved Mar. 13, 2010] Retrieved from GlobalMarket.com using Internet <URL: [http://www.globalmarket.com/product/High-Power--LED--PAR30--Spotlight-Bulb-with-Long-Lifespan\\_12739597.html](http://www.globalmarket.com/product/High-Power--LED--PAR30--Spotlight-Bulb-with-Long-Lifespan_12739597.html)>. 1.

“China LED Lamp, Shenzhen Manufacturer”, [online], [retrieved Mar. 13, 2010] Retrieved from Illusion.Manufacturer.GlobalSources.com using Internet <URL: <http://illusion.manufacturer.globalsources.com/si/6008825673216/pdtl/LED-bulb/1008760639/LED-Lamp.htm>>. 1-2.

“LED PAR30 Light 7\*1 - China par30, 7\*1”, [online], [retrieved Mar. 13, 2010] Retrieved from BernalLED.en.Made-In-China.com using Internet <URL: <http://bernaled.en.made-in-china.com/product/QbsmohDKXIWU/China-LED-PAR30-Light-7-1w.html>>. 1-2.

“PAR30 high power LED spotlamp”, [online], [retrieved Mar. 8, 2010] Retrieved from www.DIYTrade.com using Internet <URL: [http://www.diytrade.com/china/4/products/5102507/PAR30\\_LED\\_bulb.html](http://www.diytrade.com/china/4/products/5102507/PAR30_LED_bulb.html)>. 1-3.

“PAR30 LED Lamp - Detailed info for PAR30 LED Lamp”, [online], [retrieved Mar. 13, 2010] Retrieved from HonestLighting.en.Alibaba.com using Internet <URL: [http://honestlighting.en.alibaba.com/product/272812942-209423033/PAR30\\_LED\\_Lamp.html](http://honestlighting.en.alibaba.com/product/272812942-209423033/PAR30_LED_Lamp.html)>. 1-3.

“GU20 LED Lamp - Detailed info for GU10 LED Lamp”, [online], [retrieved Mar. 13, 2010] Retrieved from HonestLighting.en.Alibaba.com using Internet <URL: [http://honestlighting.en.alibaba.com/product/259657006-209423033/GU10\\_LED\\_Lamp.html](http://honestlighting.en.alibaba.com/product/259657006-209423033/GU10_LED_Lamp.html)>. 1-3.

“enLux Lighting - R30F Floodlight”, [online], [retrieved Mar. 13, 2010] Retrieved from EnluxLED.com using Internet <URL: [http://www.enluxled.com/r30f\\_floodlight](http://www.enluxled.com/r30f_floodlight)>. 1-2.

“Eco-Story- Par-30 LED Lightbulbs”, [online], [retrieved Mar. 8, 2010] Retrieved from FoodServiceWarehouse.com using Internet <URL: <http://www.foodservicewarehouse.com/eco-story/par-30/p345404.aspx>>. 1-2.

“Dimmable LED Light Bulb - PAR30/65-75 Watt Compatible”, [online], [retrieved Mar. 13, 2010] Retrieved from EarthTechProducts.com using Internet <URL: <http://www.earthtechproducts.com/dimmable-led-light-bulb-par30.html>>. 1-2.

“PAR 30 LED Bulb Flood Light Replacement”, [online], [retrieved Mar. 8, 2010] Retrieved from LC-LED.com using Internet <URL: <http://www.lc-led.com/View/itemNumber/358>>. 1.

“LED Light Bulbs, E27 Screw base”, [online], [retrieved Mar. 8, 2010] Retrieved from TheLEDLight.com using Internet <URL: <http://www.theledlight.com/EO-PAR30L.htm>>. 1-3.

\* cited by examiner

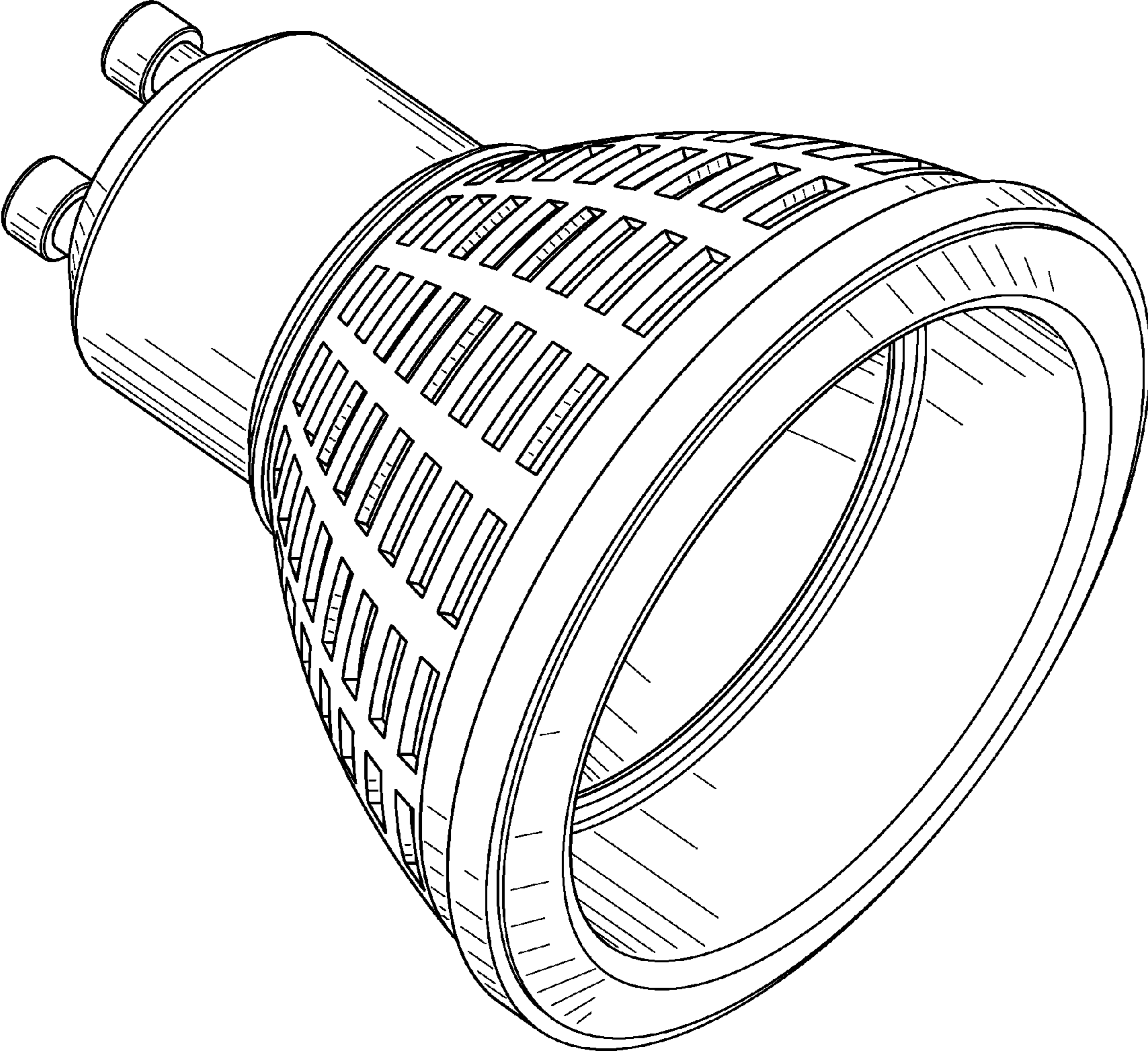


FIG. 1

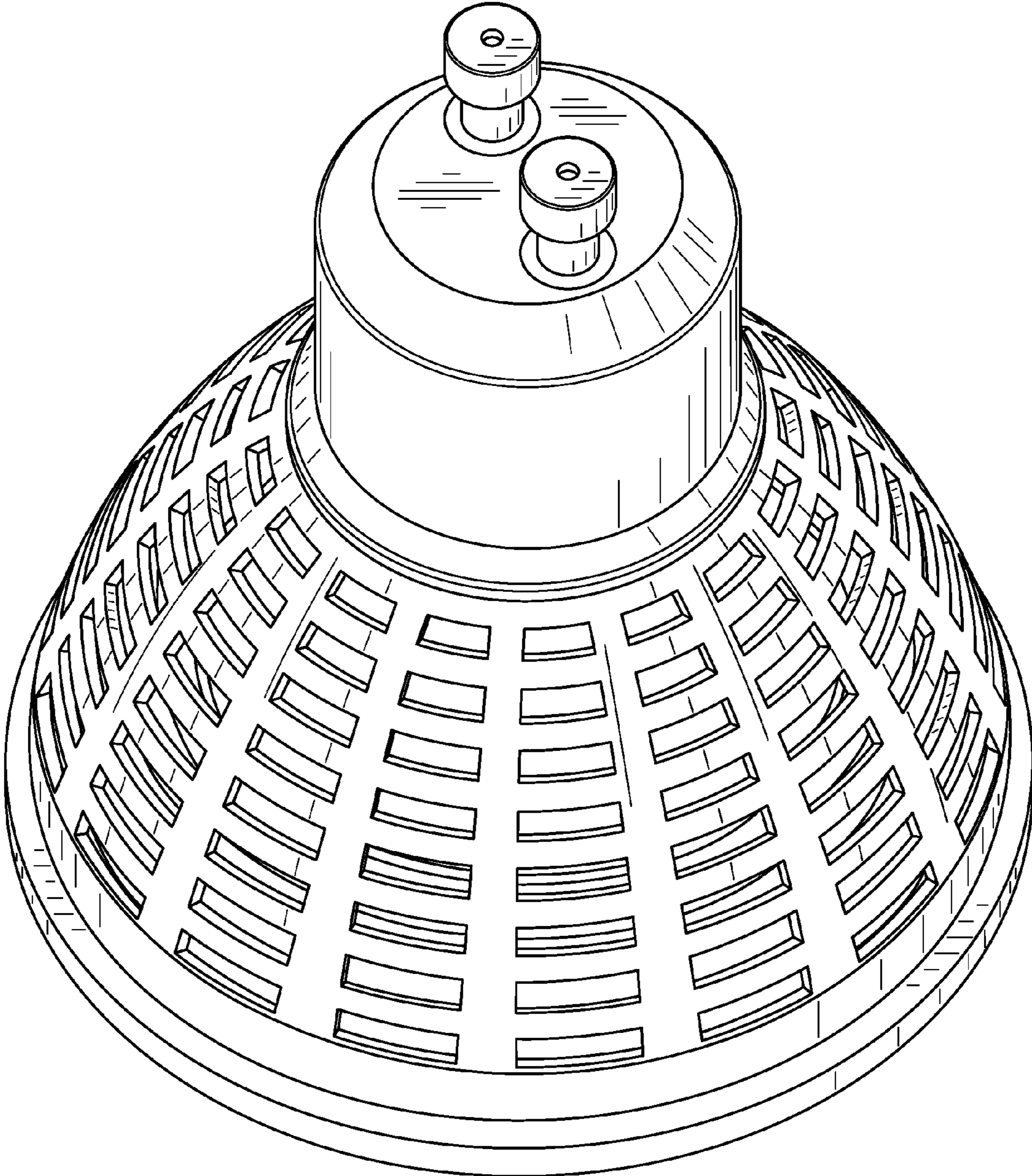


FIG. 2

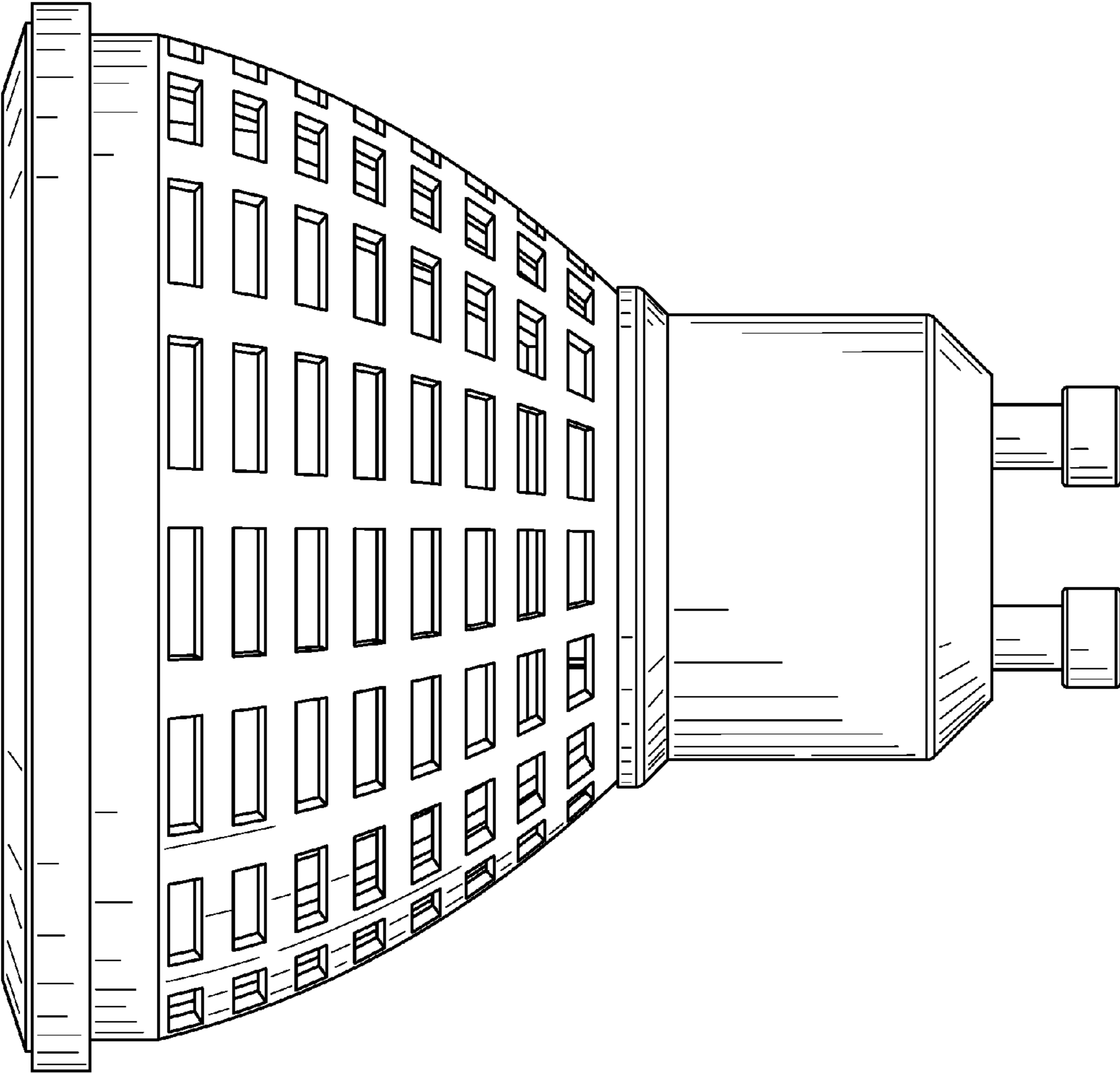


FIG. 3

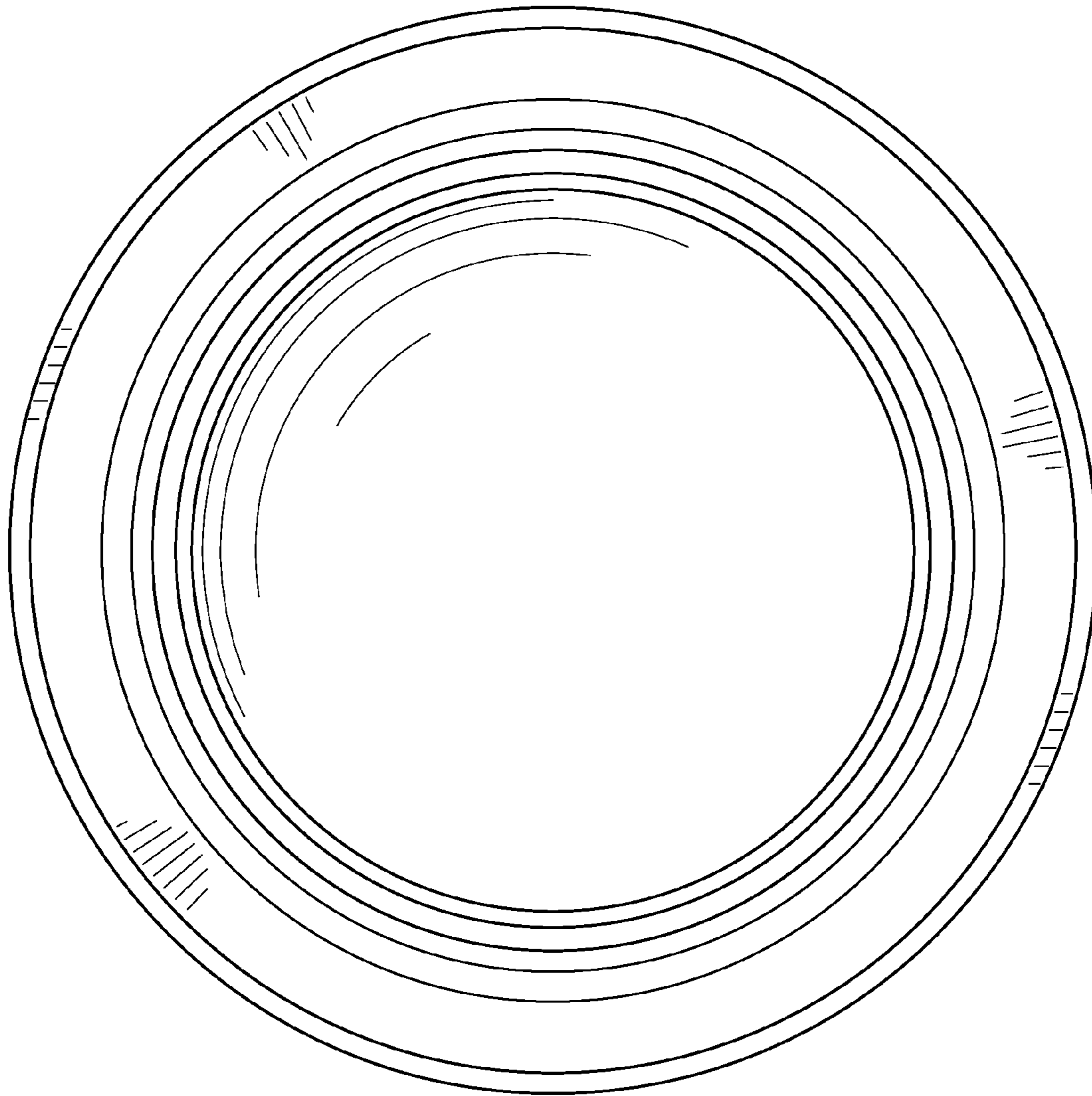


FIG. 4

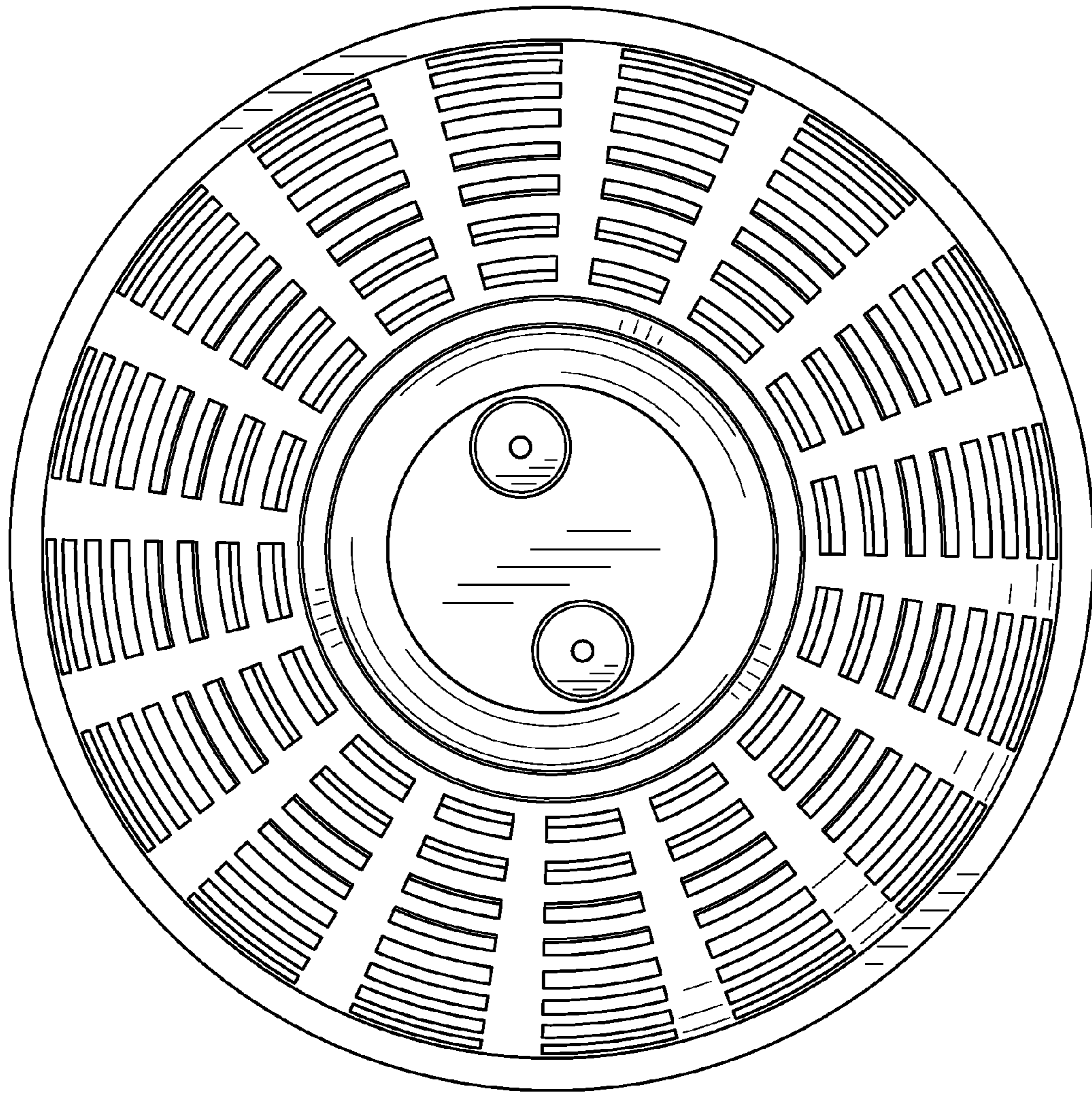


FIG. 5