



US00D621970S

(12) **United States Design Patent**
Yamamoto et al.

(10) **Patent No.:** **US D621,970 S**
(45) **Date of Patent:** **** Aug. 17, 2010**

(54) **LIGHT EMITTING DIODE LAMP**

D614,322 S * 4/2010 Yang D26/2

(75) Inventors: **Junichiro Yamamoto**, Saitama (JP);
Aiko Hiraga, Kanagawa (JP); **Asuka Wada**, Kanagawa (JP); **Toshiya Tanaka**, Kanagawa (JP); **Makoto Sakai**, Kanagawa (JP); **Shigeru Osawa**, Kanagawa (JP)

FOREIGN PATENT DOCUMENTS

JP	D1238605	3/2005
JP	D1295457	2/2007
JP	D1333297	5/2008

* cited by examiner

Primary Examiner—Marcus A Jackson

(74) *Attorney, Agent, or Firm*—J.C. Patents

(73) Assignee: **Toshiba Lighting & Technology Corporation**, Kanagawa (JP)

(**) Term: **14 Years**

(57) **CLAIM**

(21) Appl. No.: **29/341,863**

The ornamental design for a lighting emitting diode lamp, as shown and described.

(22) Filed: **Aug. 13, 2009**

DESCRIPTION

(30) **Foreign Application Priority Data**

Feb. 19, 2009 (JP) 2009-003448

(51) **LOC (9) Cl.** **26-04**

(52) **U.S. Cl.** **D26/2**

(58) **Field of Classification Search** D26/1-4;
313/313, 315, 316, 317, 318, 493; 315/52,
315/53, 56, 57, 58

See application file for complete search history.

FIG. 1 is a perspective view of a lighting emitting diode lamp showing our new design;

FIG. 2 is another perspective view thereof;

FIG. 3 is a front view thereof, the rear view being identical to the front view;

FIG. 4 is a right side view thereof, the left side view being identical to the right side view;

FIG. 5 is a top view thereof;

FIG. 6 is a bottom view thereof; and,

FIG. 7 is a cross-sectional view taken along line 7—7 in FIG. 4 with the internal parts omitted.

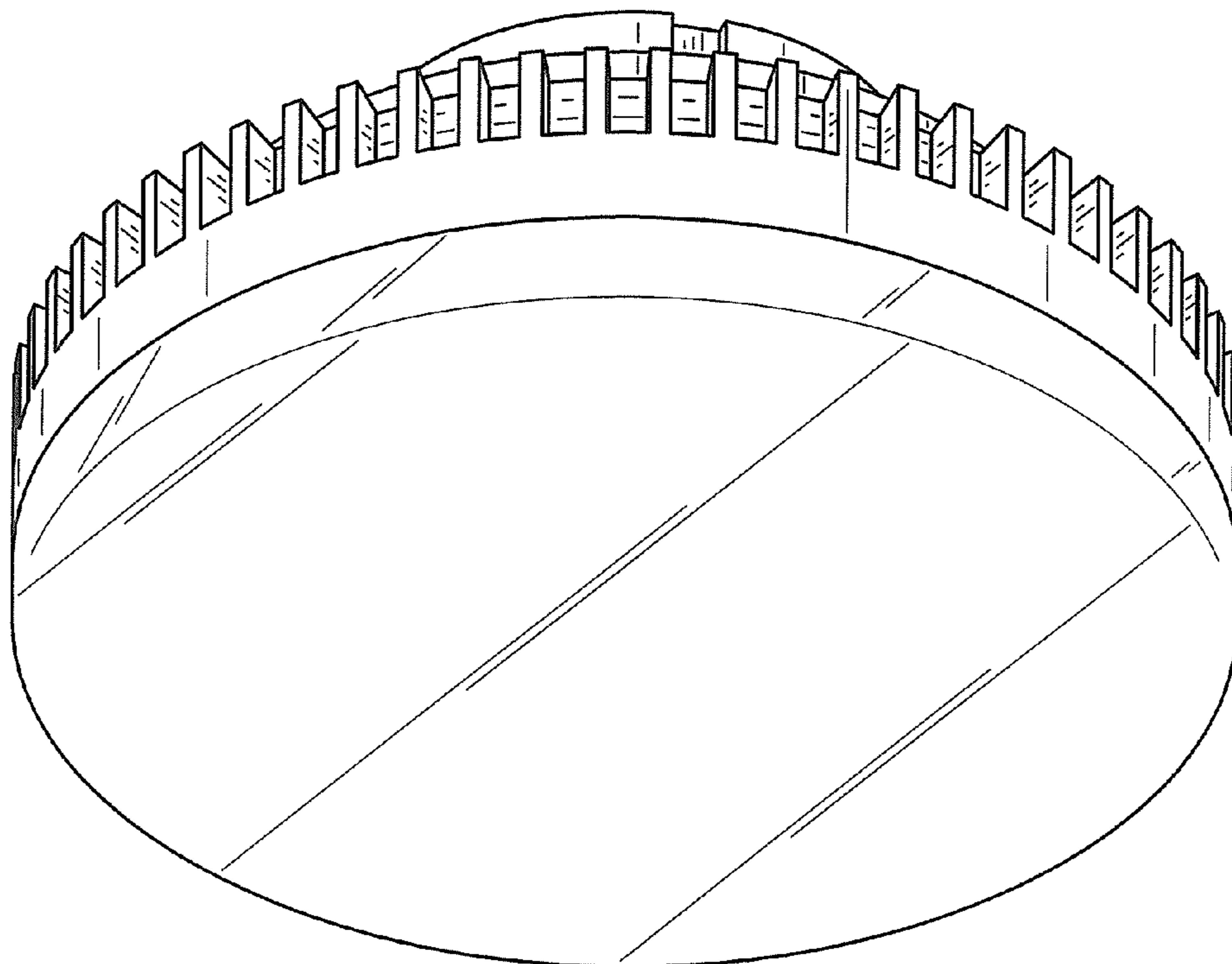
The portion shown in double cross-hatched lines in FIG. 7 is pervious to light.

(56) **References Cited**

U.S. PATENT DOCUMENTS

D547,886 S *	7/2007	Foo	D26/2
D587,383 S *	2/2009	Wei	D26/2
D596,765 S *	7/2009	Chiu	D26/2
D614,321 S *	4/2010	Yang	D26/2

1 Claim, 6 Drawing Sheets



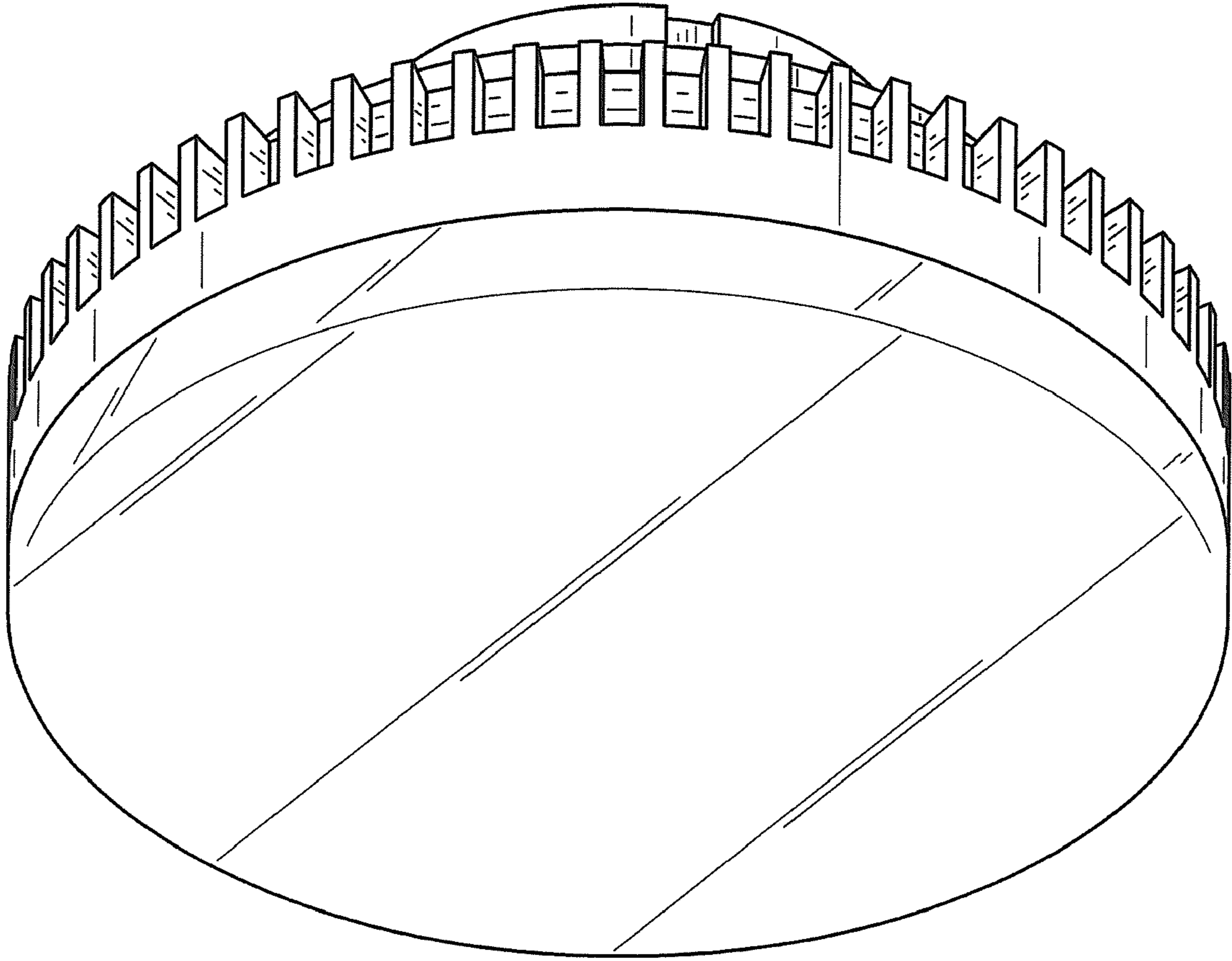


FIG. 1

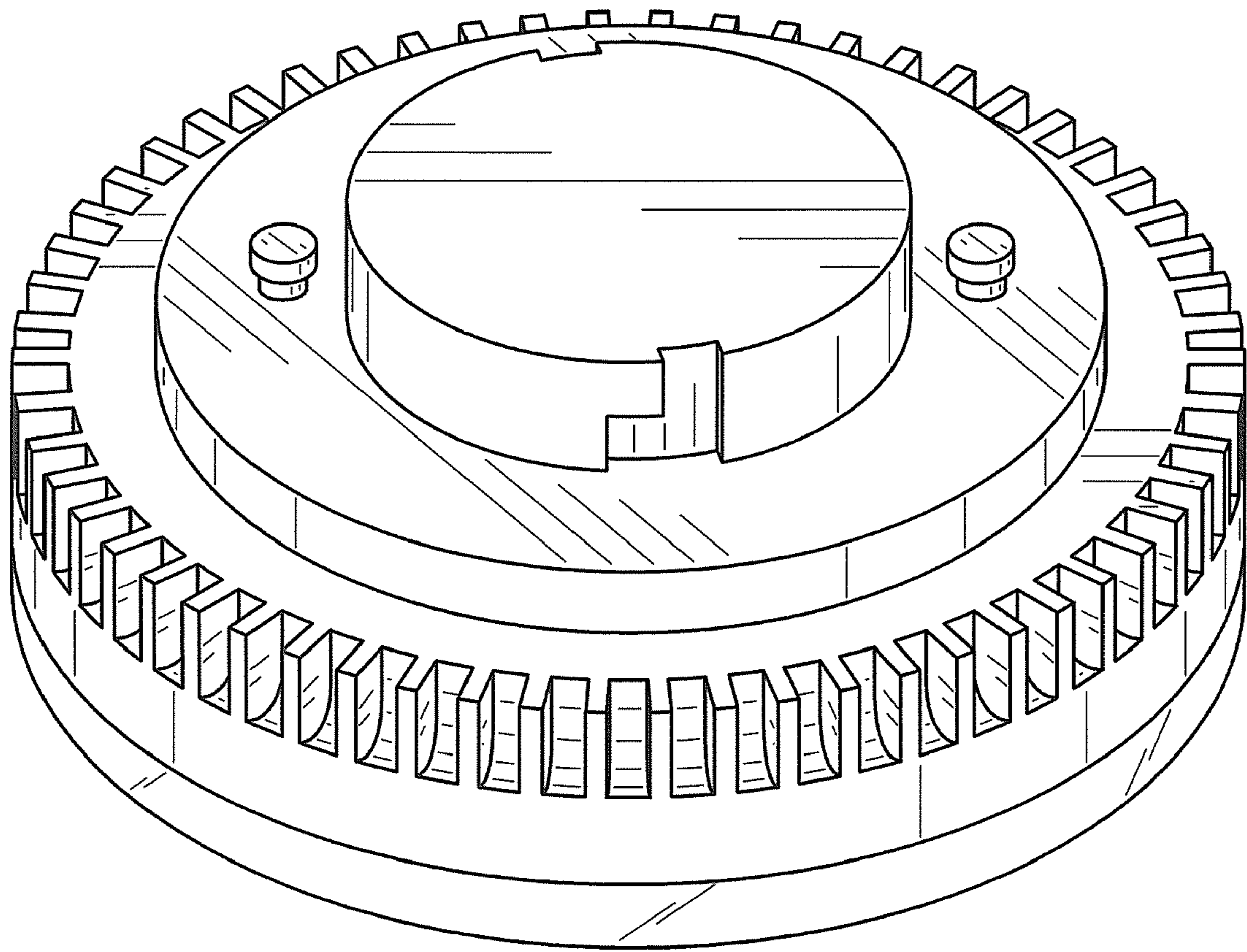


FIG. 2

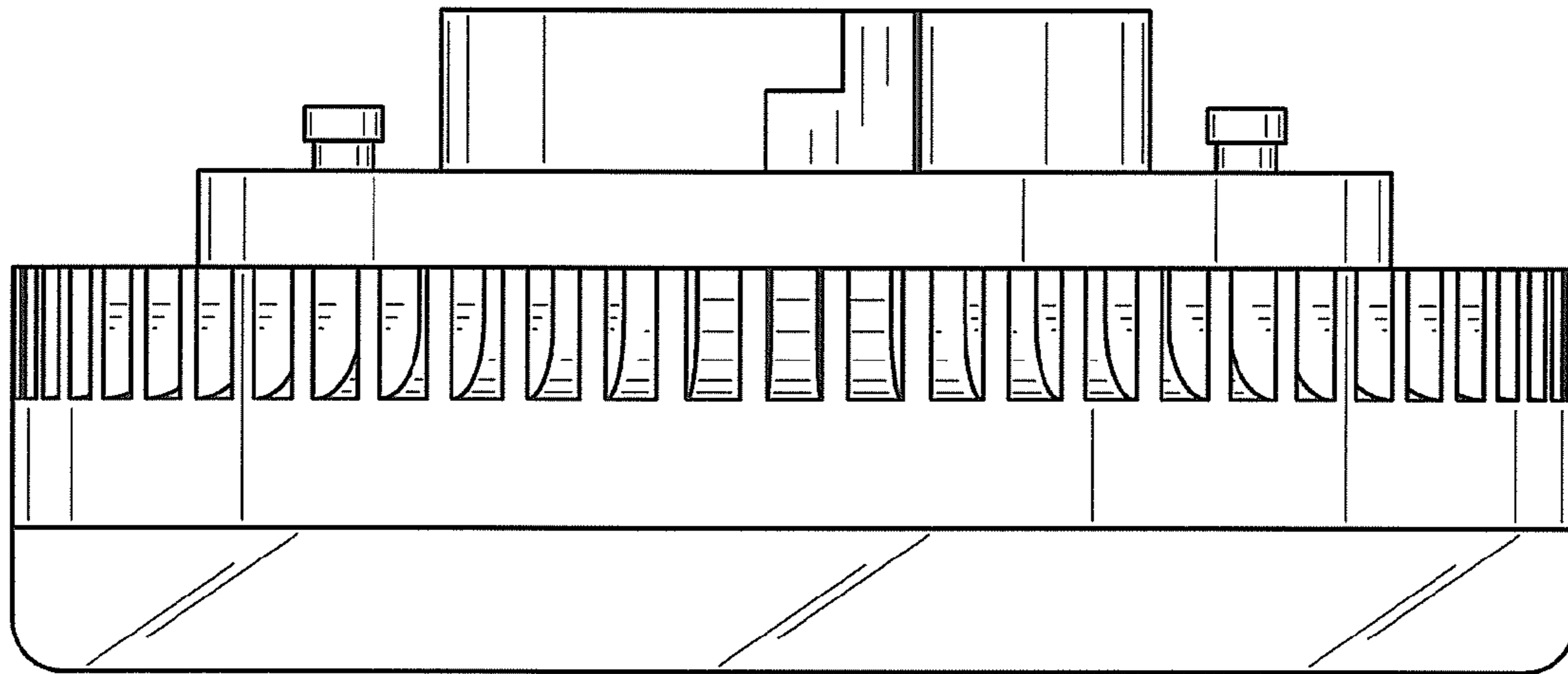


FIG. 3

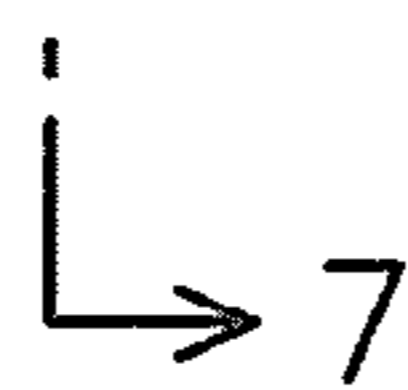
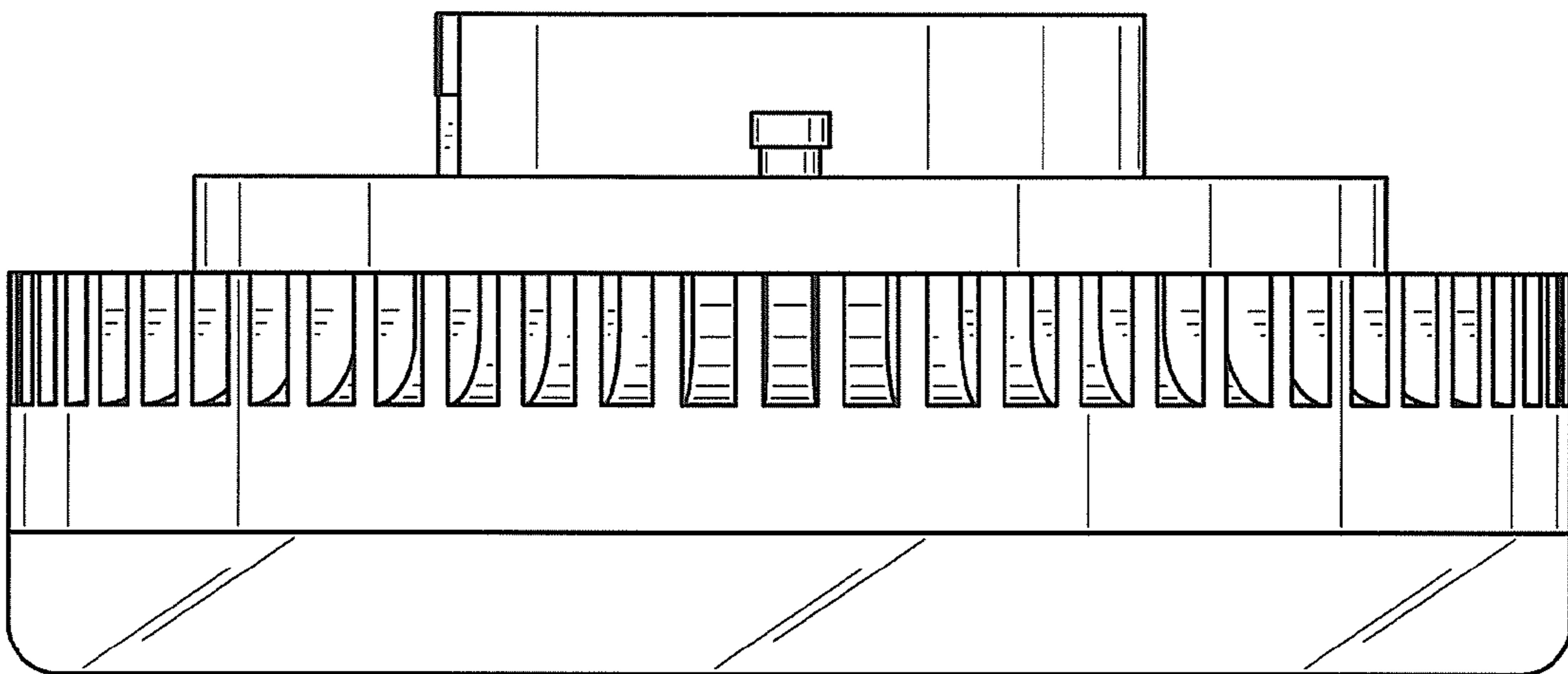
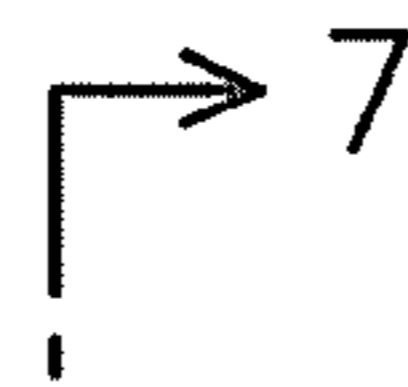


FIG. 4

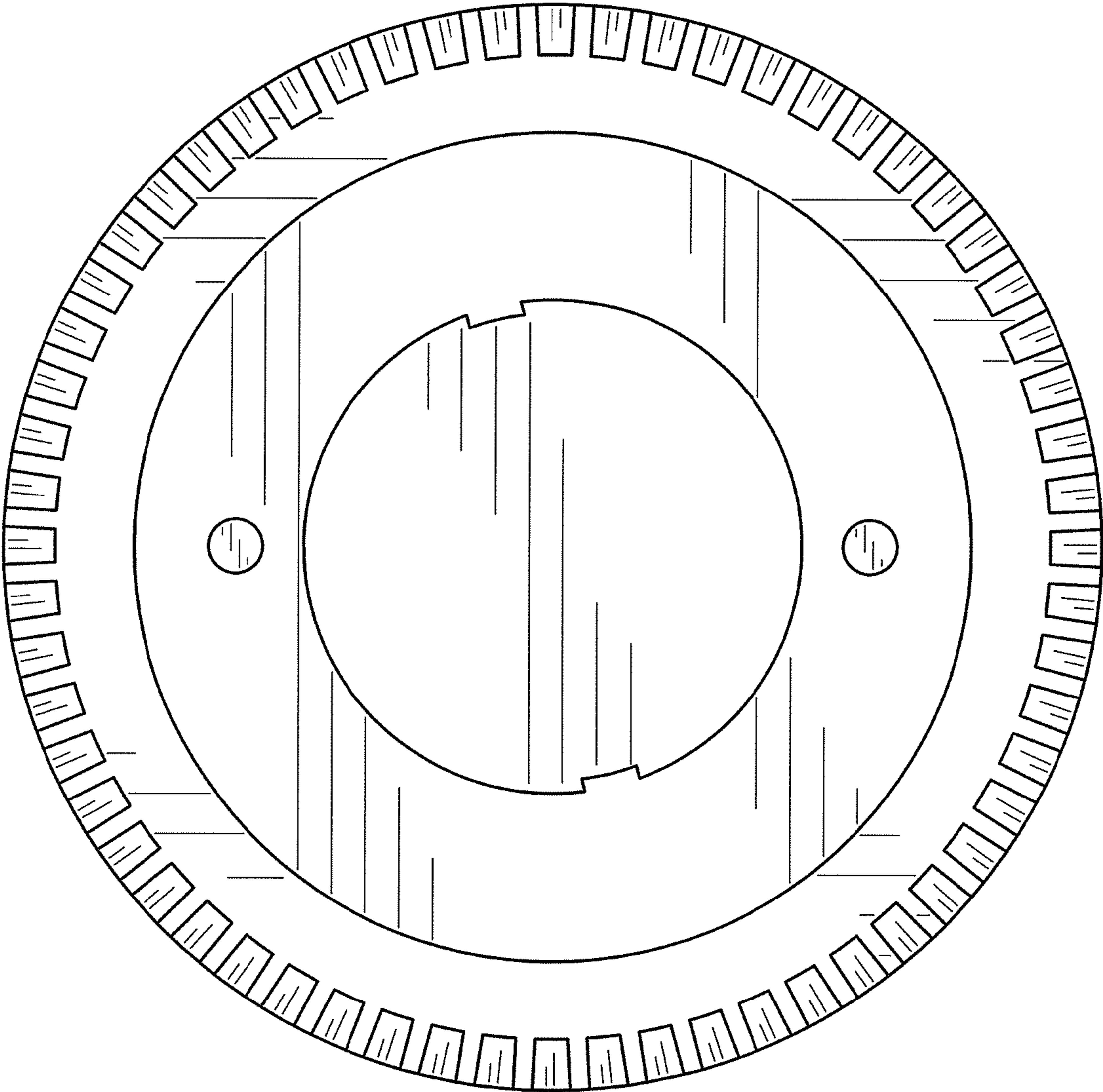


FIG. 5

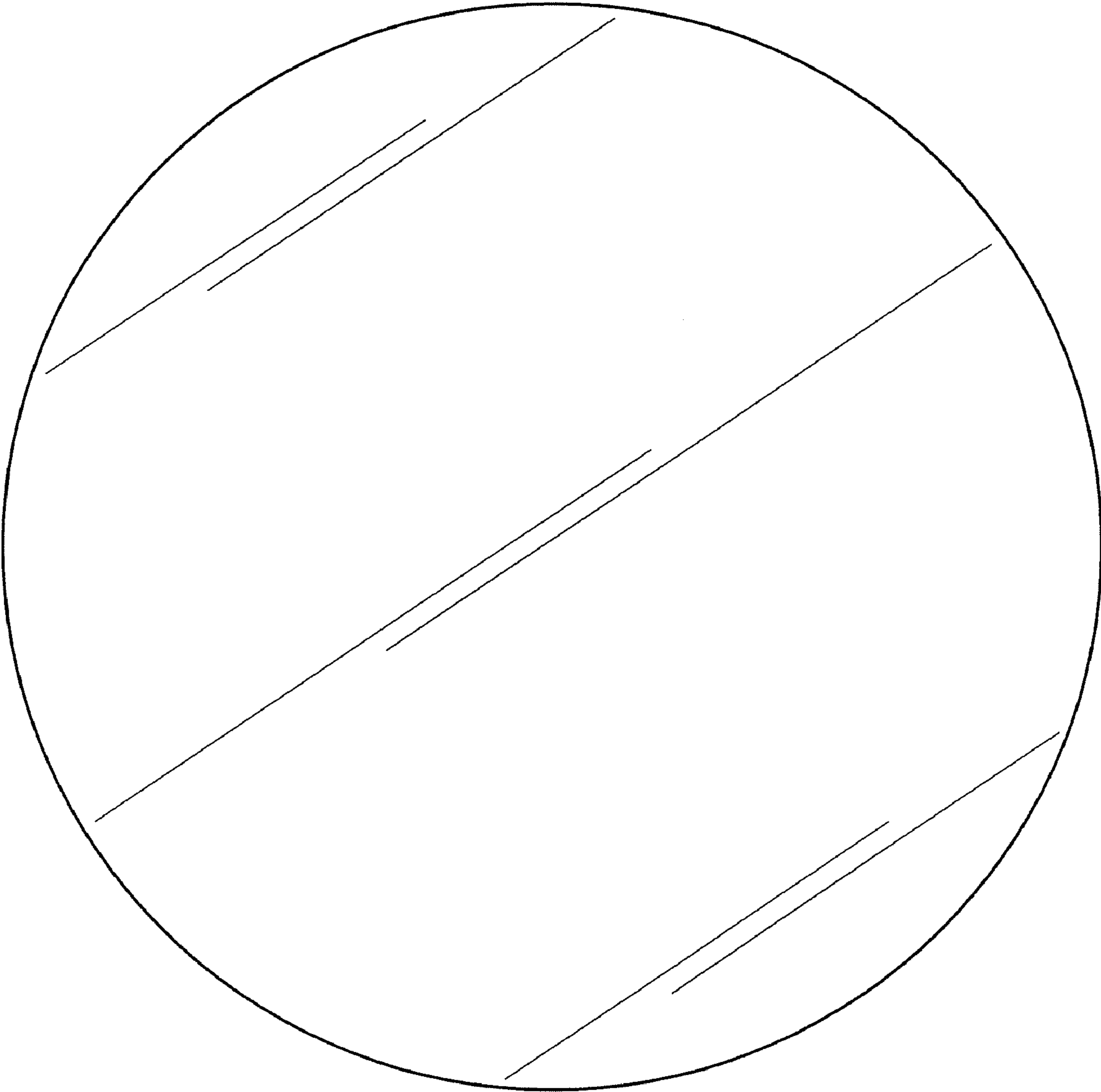


FIG. 6

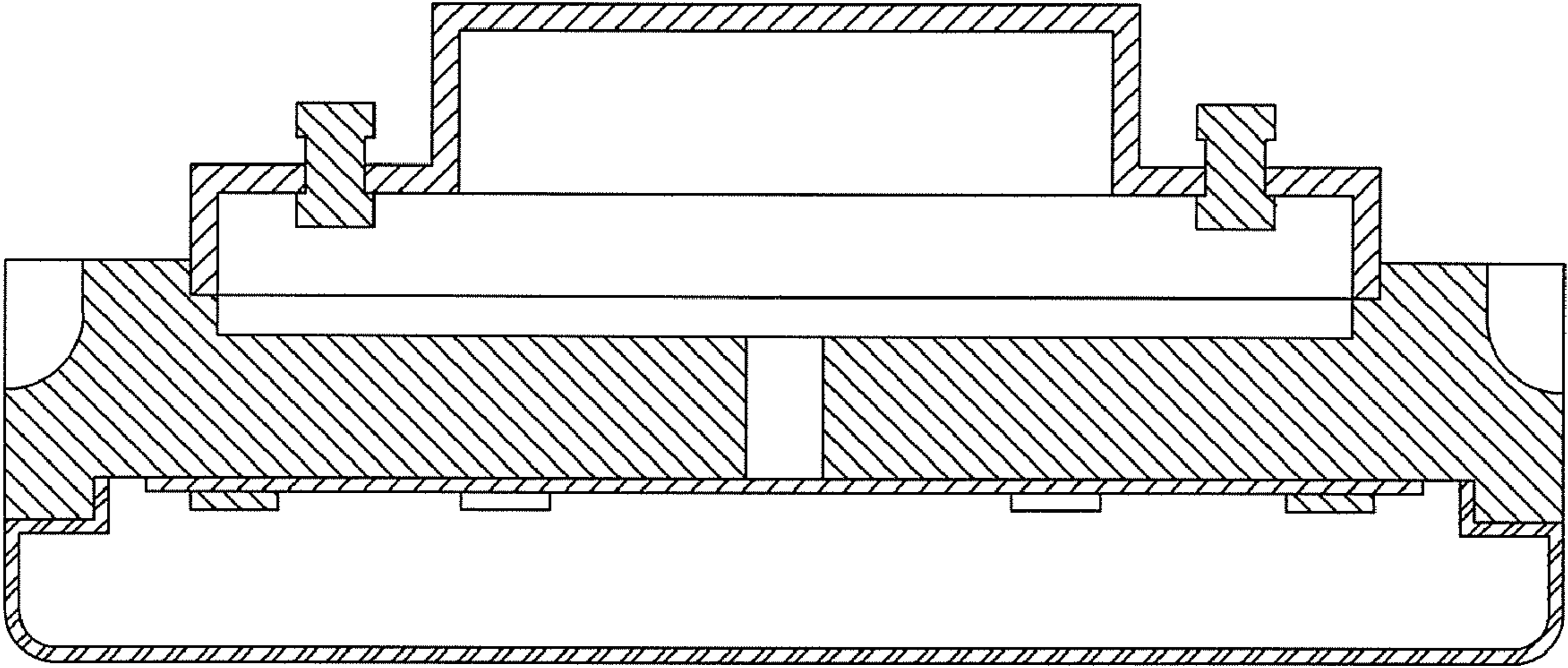


FIG. 7