



US00D621968S

(12) **United States Design Patent**
Schultz

(10) **Patent No.:** **US D621,968 S**

(45) **Date of Patent:** **** Aug. 17, 2010**

(54) **LIGHT-EMITTING DIODE LIGHT**

D594,576 S * 6/2009 Chan et al. D26/1

(75) Inventor: **Peter Schultz**, Wermelskirchen (DE)

* cited by examiner

(73) Assignee: **Setolite Lichttechnik GmbH** (DE)

Primary Examiner—Marcus A Jackson

(**) Term: **14 Years**

(74) *Attorney, Agent, or Firm*—Ohlandt, Greeley, Ruggiero & Perle, LLP

(21) Appl. No.: **29/307,611**

(57) **CLAIM**

(22) Filed: **Apr. 30, 2008**

The ornamental design for a light-emitting diode light, as shown and described.

(30) **Foreign Application Priority Data**

DESCRIPTION

Oct. 31, 2007 (EM) 000818232

(51) **LOC (9) Cl.** **26-04**

(52) **U.S. Cl.** **D26/1**

(58) **Field of Classification Search** D26/1-4;
313/313, 315, 316, 317, 318, 493; 315/52,
315/53, 56, 57, 58; D13/182

See application file for complete search history.

FIG. 1 is a perspective view of a light-emitting diode light according to the present invention;

FIG. 2 is a front view thereof;

FIG. 3 is a rear view thereof;

FIG. 4 is a side view thereof, the opposite side being identical;

FIG. 5 is a top view thereof; and,

FIG. 6 is a bottom view thereof.

The broken line showing of light portion is included for the purpose of illustrating the light portion and forms no part of the claimed design.

(56) **References Cited**

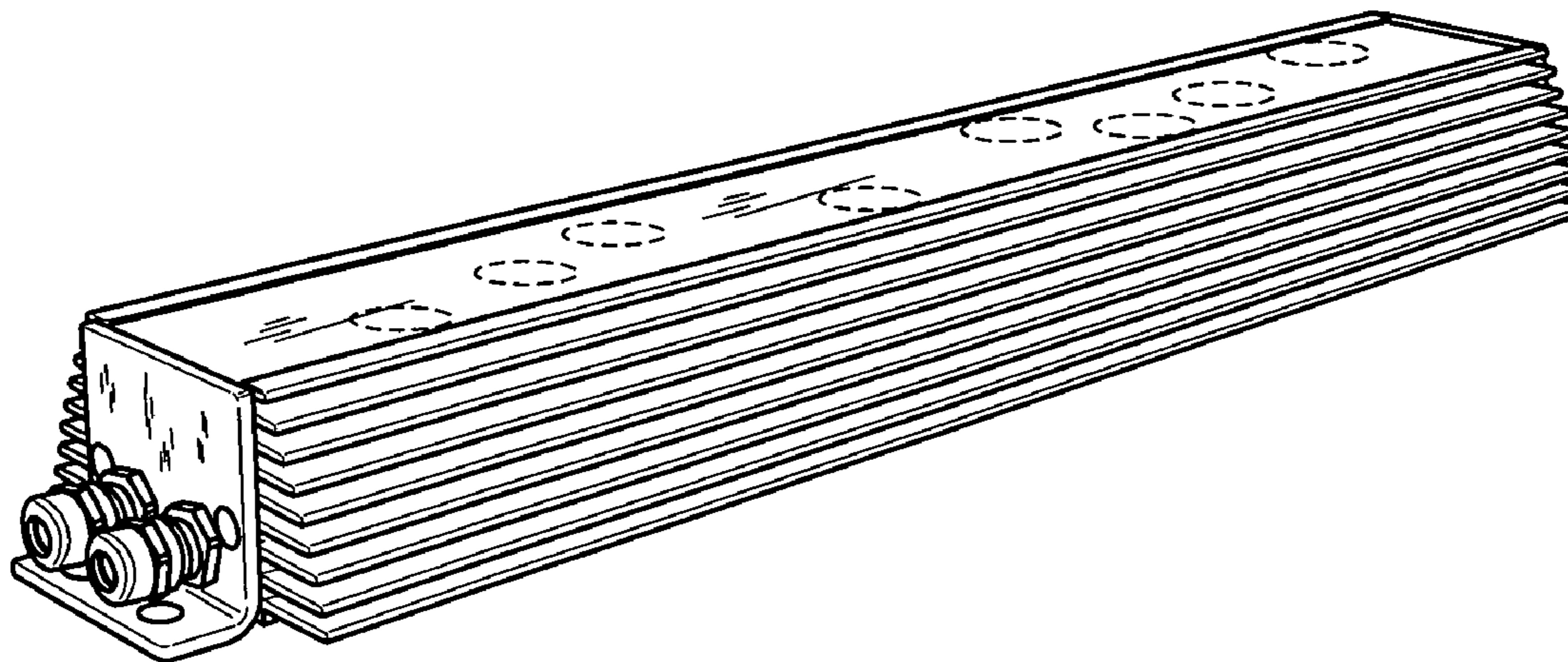
U.S. PATENT DOCUMENTS

D506,274 S * 6/2005 Moriyama et al. D26/3

D581,079 S * 11/2008 Mier-Langner D26/72

D584,429 S * 1/2009 Pei et al. D26/3

1 Claim, 2 Drawing Sheets



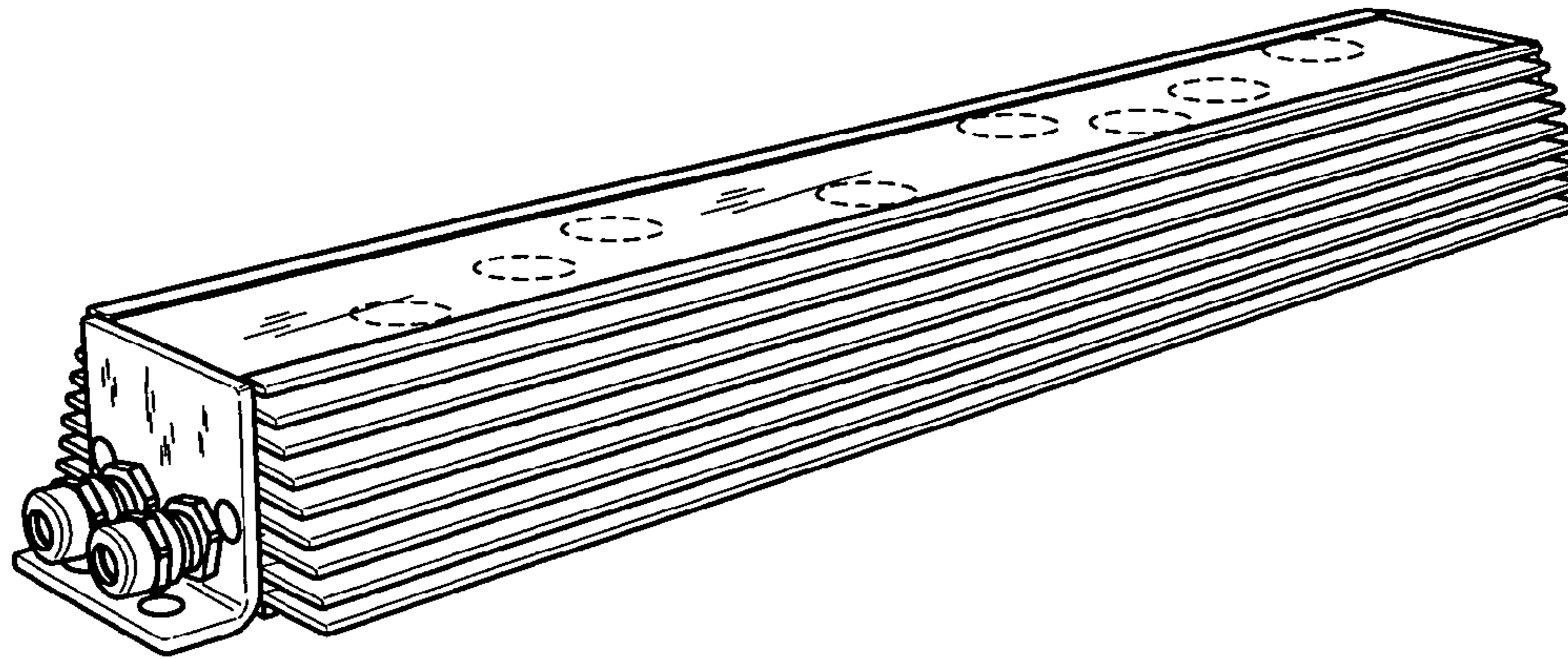


Fig. 1

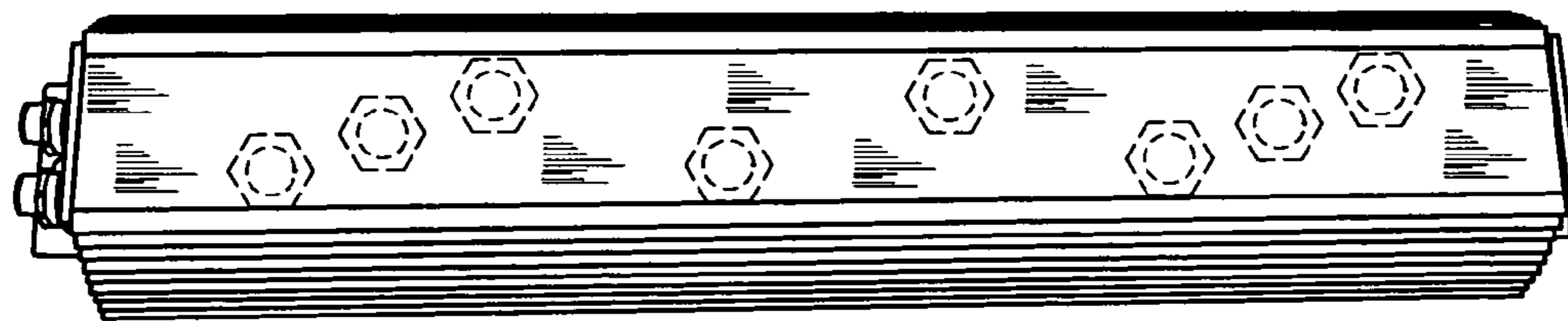


Fig. 2

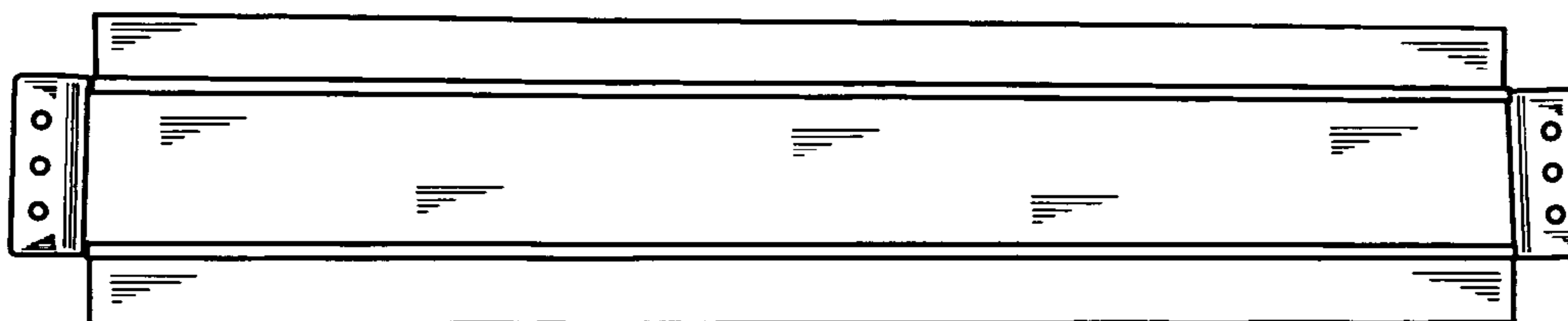


Fig. 3

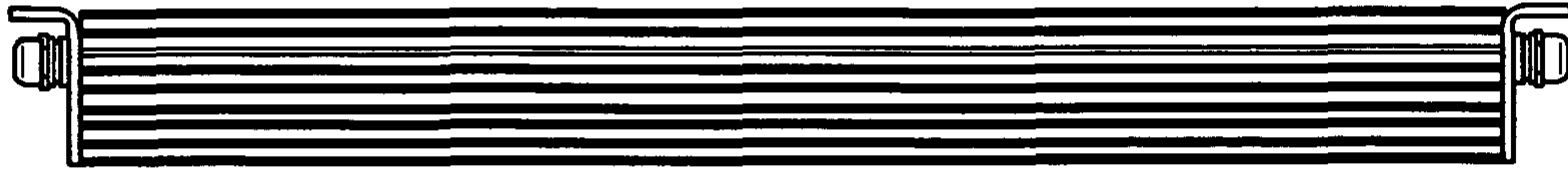


Fig. 4

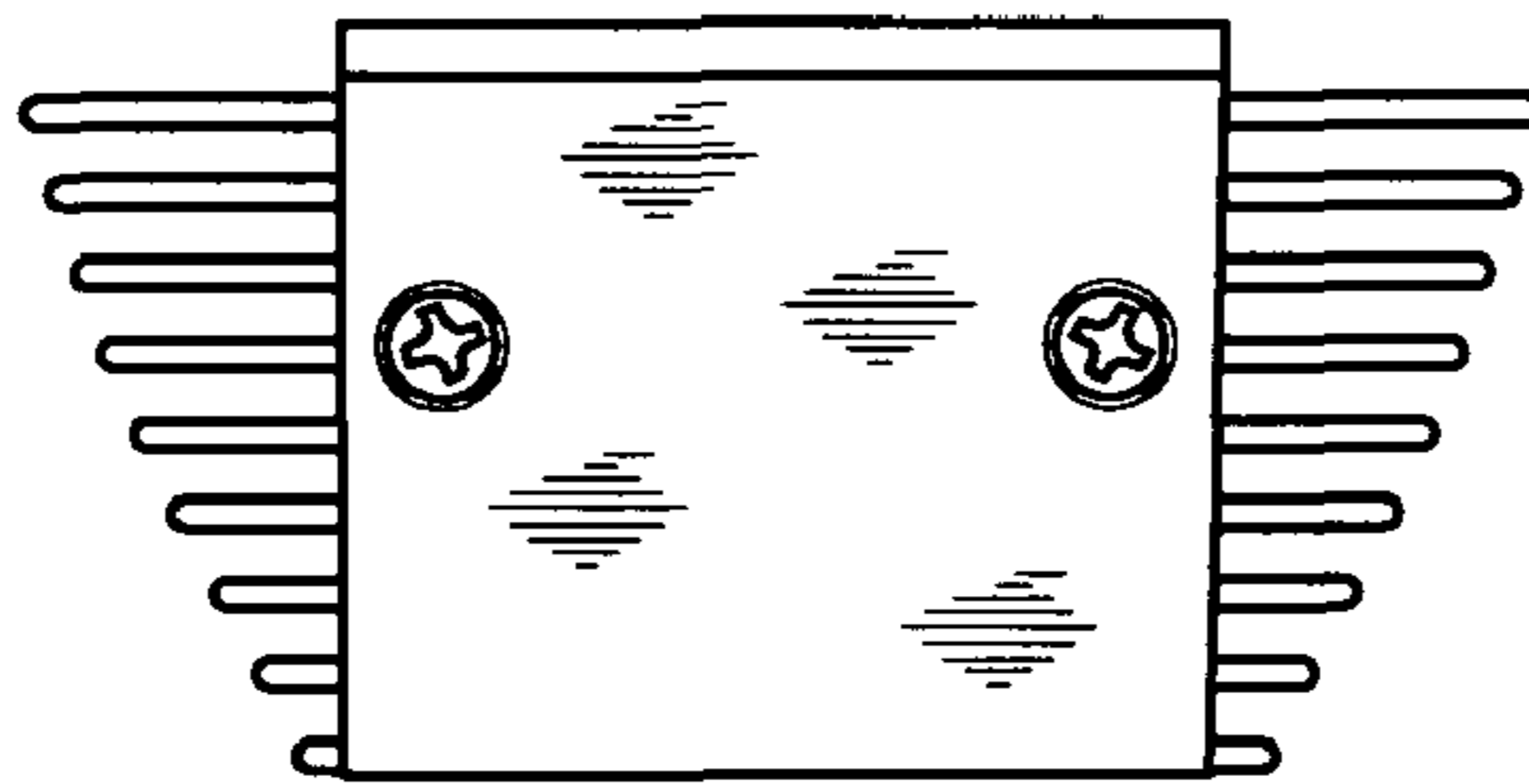


Fig. 5

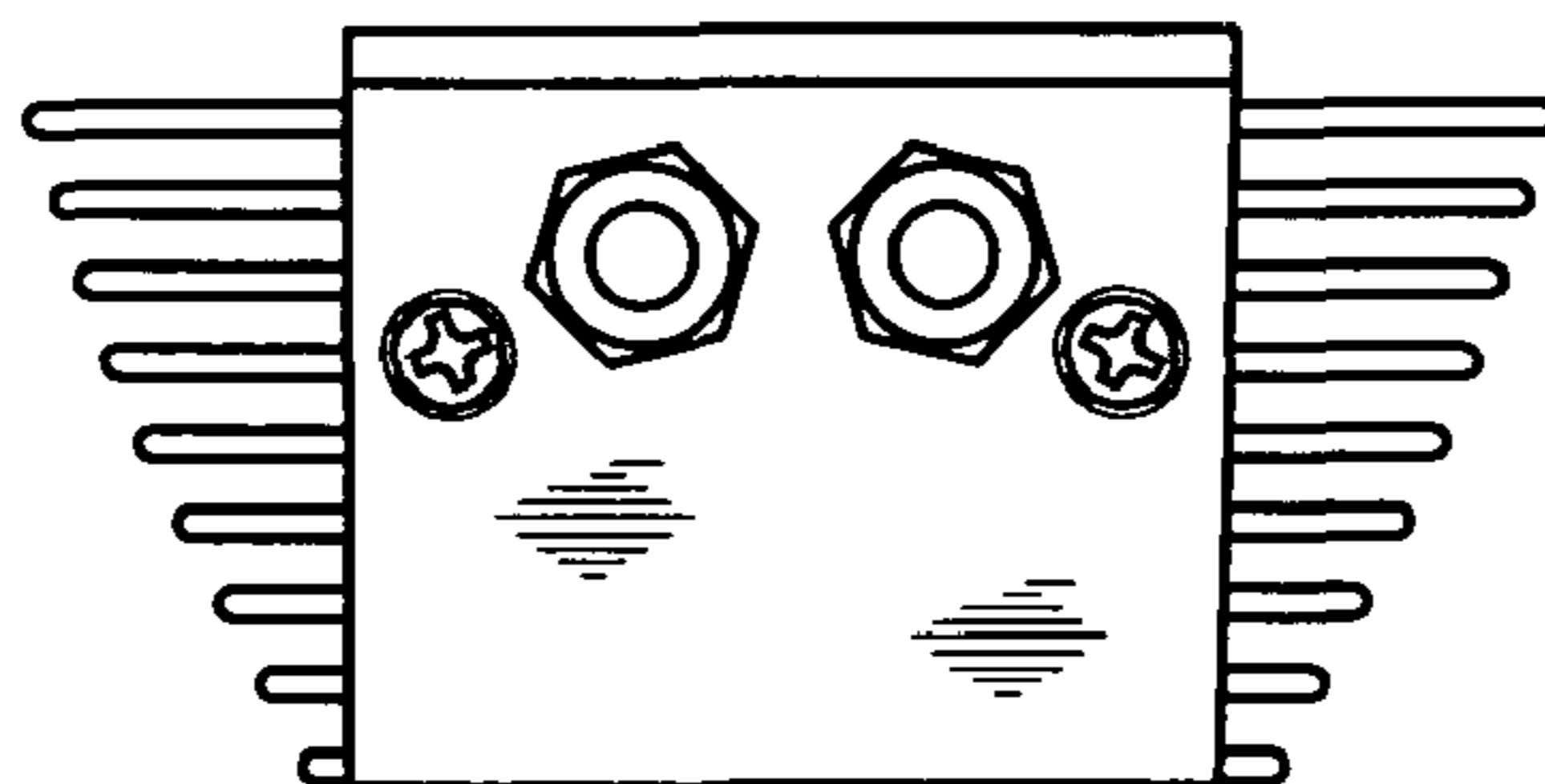


Fig. 6