



US00D621961S

(12) **United States Design Patent**
Gardner

(10) **Patent No.:** **US D621,961 S**

(45) **Date of Patent:** **** *Aug. 17, 2010**

(54) **STAIR NOSING**

2005/0039409 A1 2/2005 Sondermann
2006/0150539 A1 7/2006 Vanhastel et al.

(76) Inventor: **William Gardner**, 8950 Labish Center Rd., Silverton, OR (US) 97381

FOREIGN PATENT DOCUMENTS

(**) Term: **14 Years**

EP 1302606 A1 4/2003
WO WO2008/048114 A2 4/2008

(21) Appl. No.: **29/345,369**

(22) Filed: **Oct. 14, 2009**

OTHER PUBLICATIONS

(51) **LOC (9) Cl.** **25-01**

Statement by William Gardner regarding prior staircase nosing prototypes manufactured, dated Apr. 23, 2010, 4 pages.

(52) **U.S. Cl.** **D25/119; D25/69**

(58) **Field of Classification Search** D25/69,
D25/119; 52/177, 179, 190

* cited by examiner

See application file for complete search history.

Primary Examiner—Doris Clark

(74) *Attorney, Agent, or Firm*—Klarquist Sparkman, LLP

(56) **References Cited**

(57) **CLAIM**

U.S. PATENT DOCUMENTS

I claim the ornamental design for a stair nosing, as shown and described.

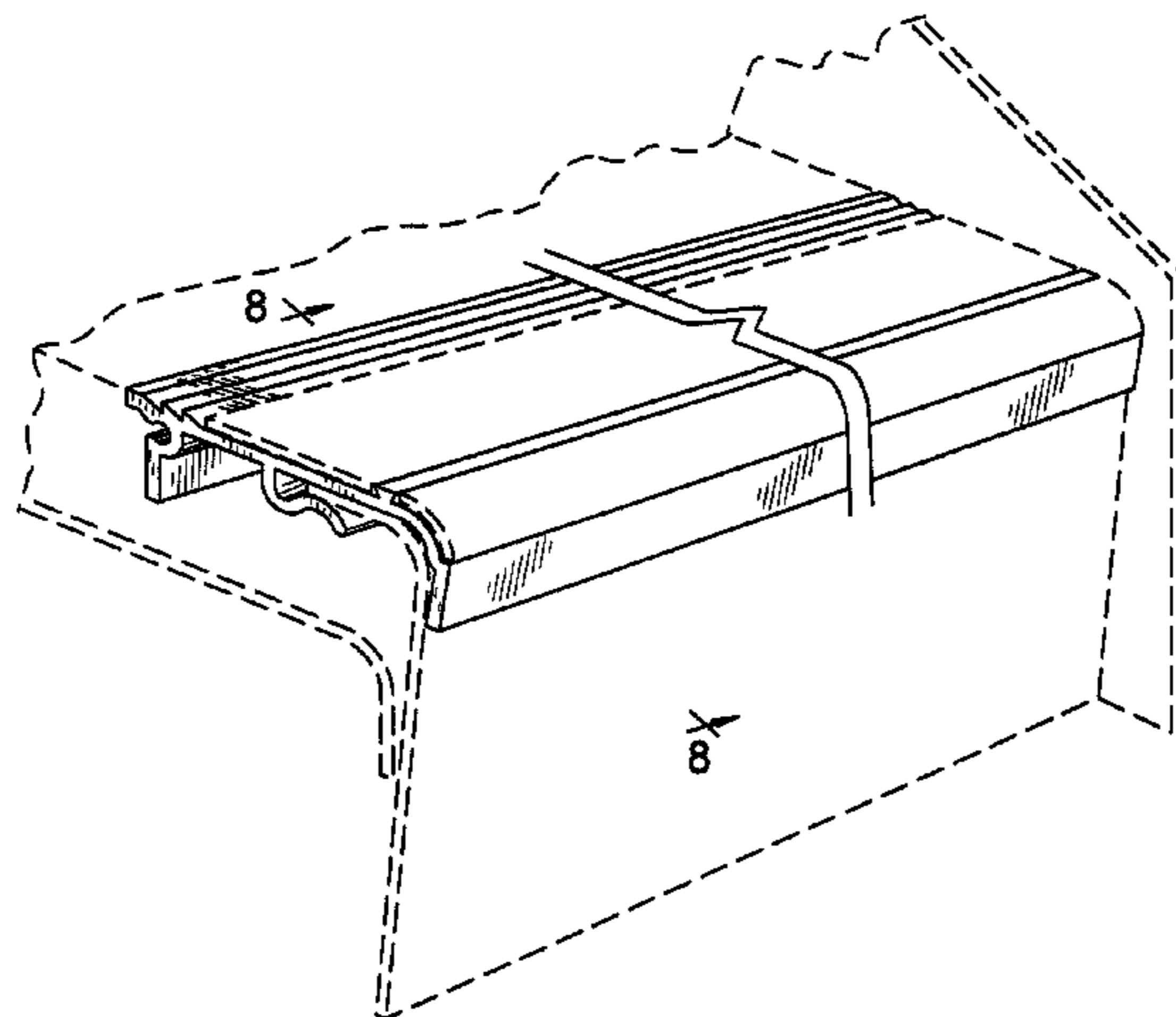
1,681,073	A	8/1928	Welcome	
1,966,402	A	7/1934	Barringer	
2,265,735	A	12/1941	Lambert	
2,835,937	A	5/1958	Hobbs	
2,999,280	A	9/1961	Miller	
3,334,456	A	8/1967	Naka	
3,421,274	A	1/1969	Balzer et al.	
3,759,000	A	9/1973	Balzer et al.	
4,001,991	A	1/1977	Balzer et al.	
4,037,374	A	7/1977	Balzer et al.	
4,058,942	A	11/1977	Naka	
4,112,641	A	9/1978	Balzer	
4,321,294	A	3/1982	Naka	
4,455,797	A	6/1984	Naka	
4,486,987	A	12/1984	Naka	
4,840,824	A	6/1989	Davis	
4,879,151	A	11/1989	Ellingson, Jr.	
4,905,431	A	3/1990	Davis	
5,073,430	A	12/1991	Aidan	
5,103,608	A	4/1992	Andreo	
5,461,836	A	10/1995	Yang	
5,904,017	A	5/1999	Glatz et al.	
6,141,920	A *	11/2000	Kemper	52/179
D447,249	S *	8/2001	Chang et al.	D25/69
6,554,446	B1	4/2003	Walsh et al.	
6,606,827	B1 *	8/2003	Hoffmann	52/28
D505,211	S *	5/2005	Stanchfield	D25/119

DESCRIPTION

FIG. 1 is a top perspective view of a stair nosing.
 FIG. 2 is a bottom perspective view of the stair nosing of FIG. 1.
 FIG. 3 is a top plan view of the stair nosing of FIG. 1.
 FIG. 4 is a bottom plan view of the stair nosing of FIG. 1.
 FIG. 5 is a right side view of the stair nosing of FIG. 1, the opposite side being a mirror image thereof.
 FIG. 6 is a rear elevation view of the stair nosing of FIG. 1.
 FIG. 7 is a perspective view of the stair nosing of FIG. 1 shown installed in a stair; and,
 FIG. 8 is a cross-sectional view of the stair nosing taken along line 8—8 of FIG. 7.

The broken lines in drawings are for illustrative purposes only and form no part of the claimed design. A portion of the stair nosing is cut away to indicate that no specific length of the nosing is claimed.

1 Claim, 3 Drawing Sheets



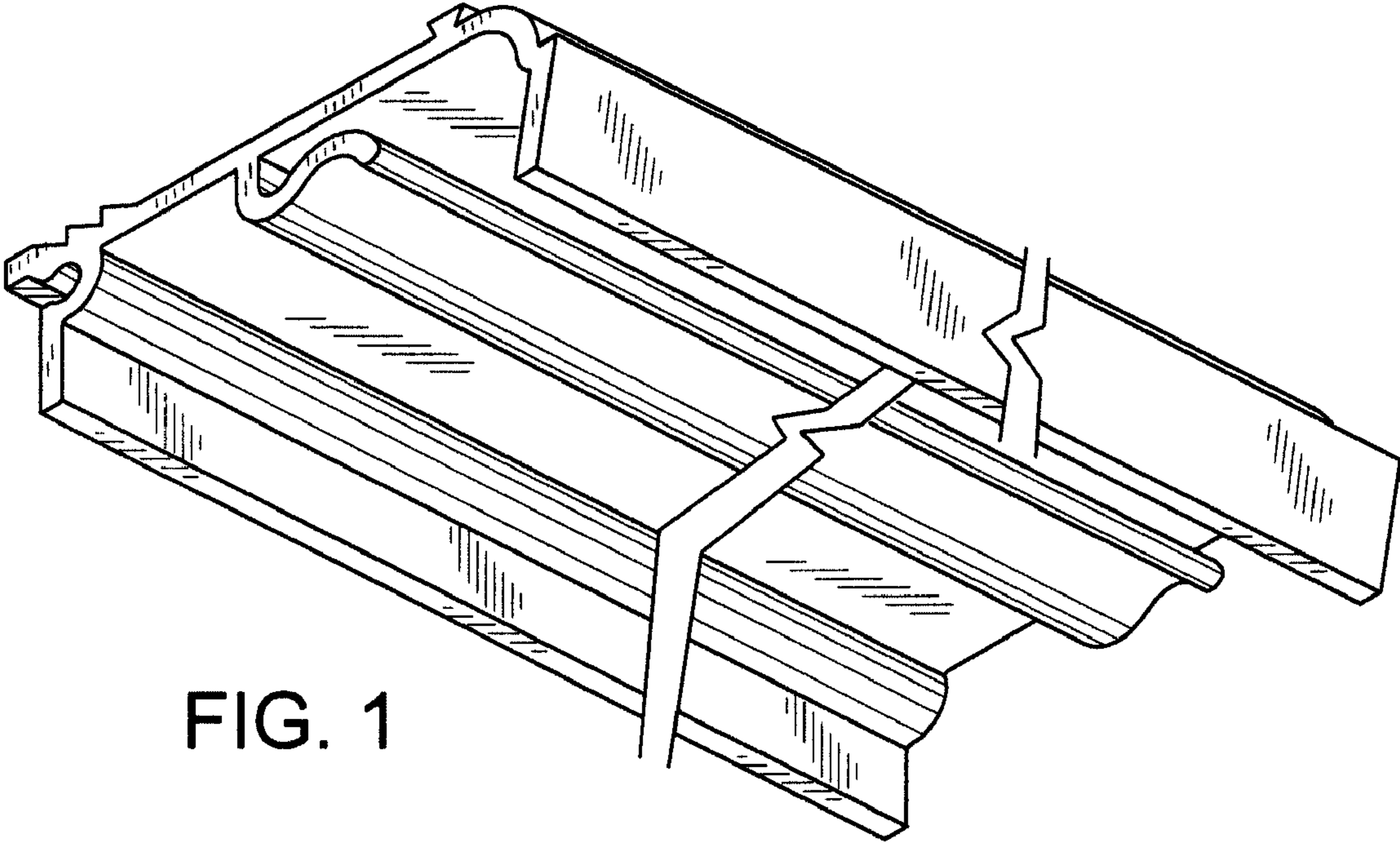


FIG. 1

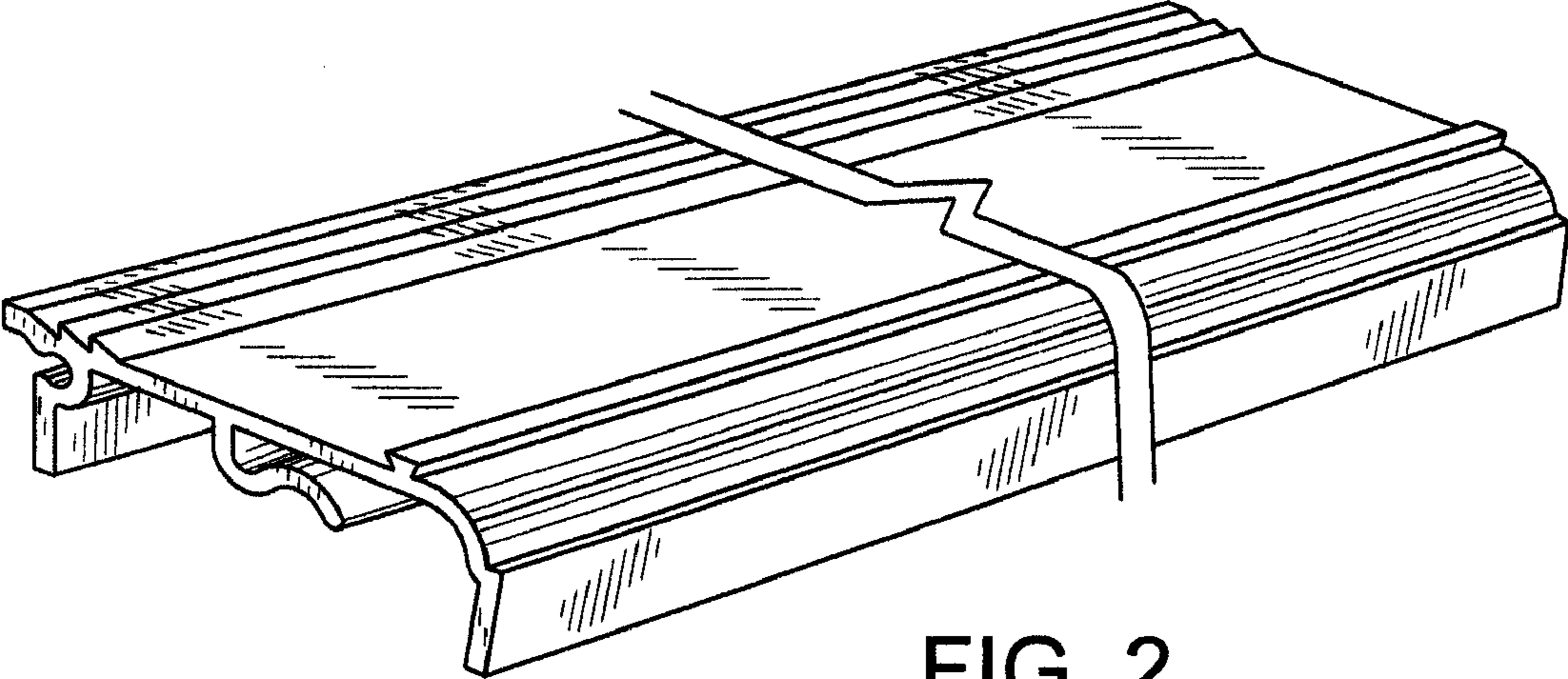


FIG. 2

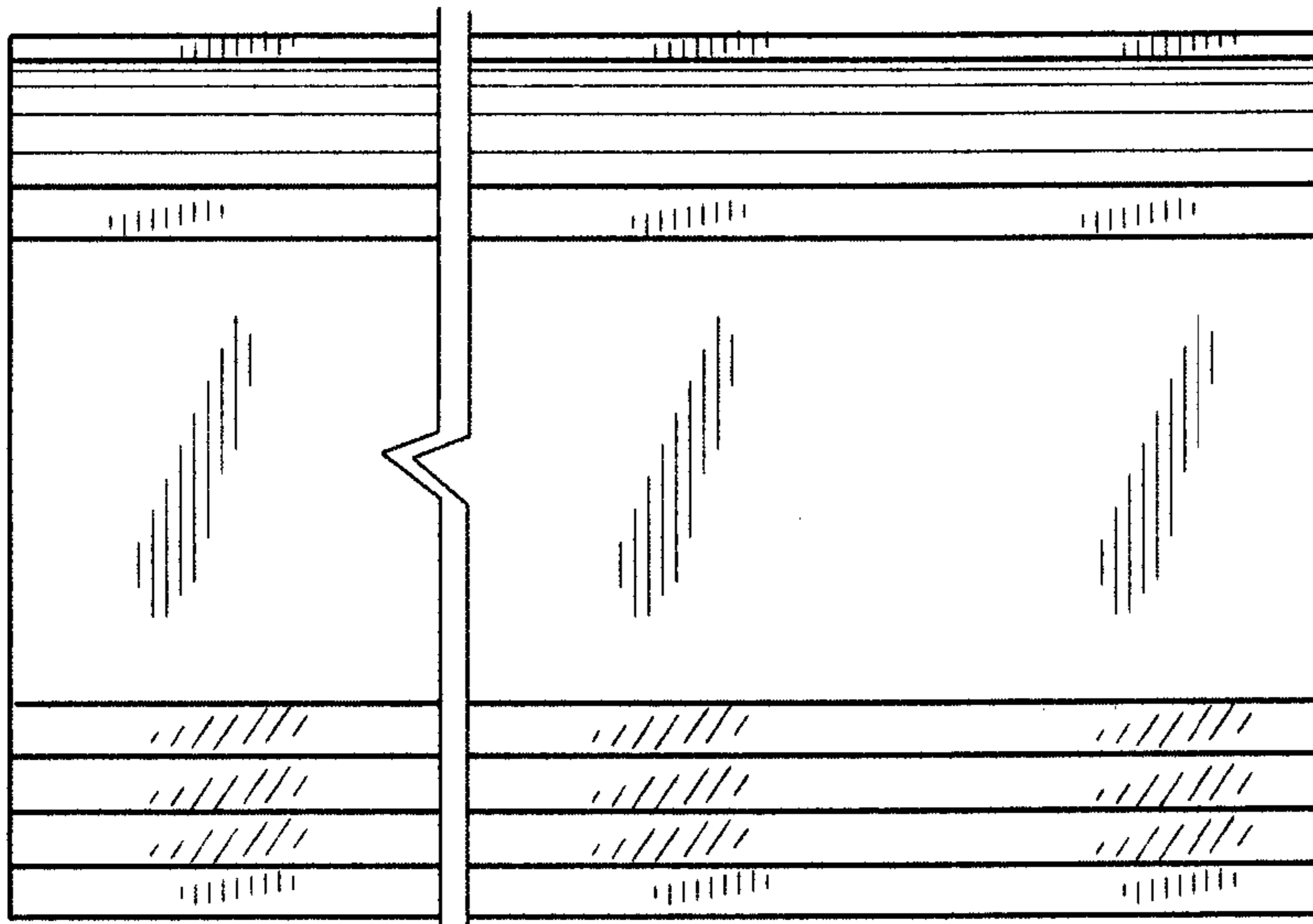


FIG. 3

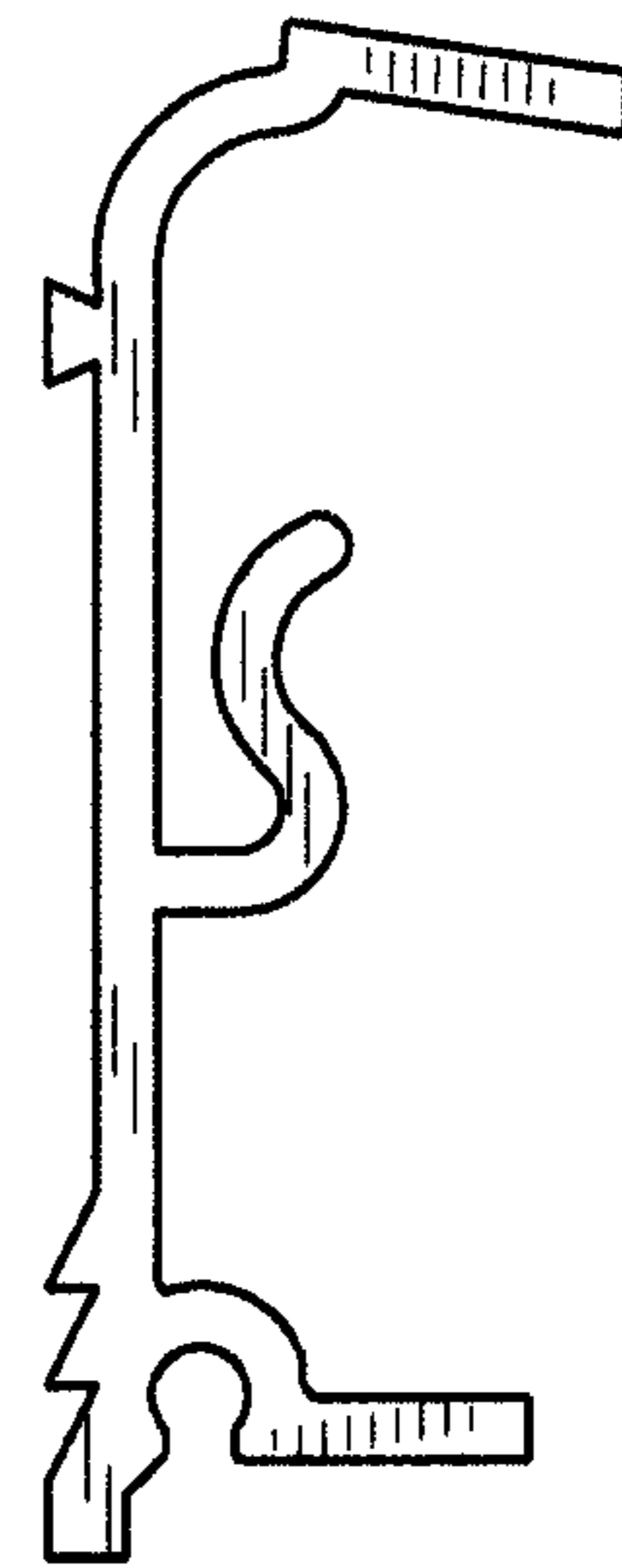


FIG. 5

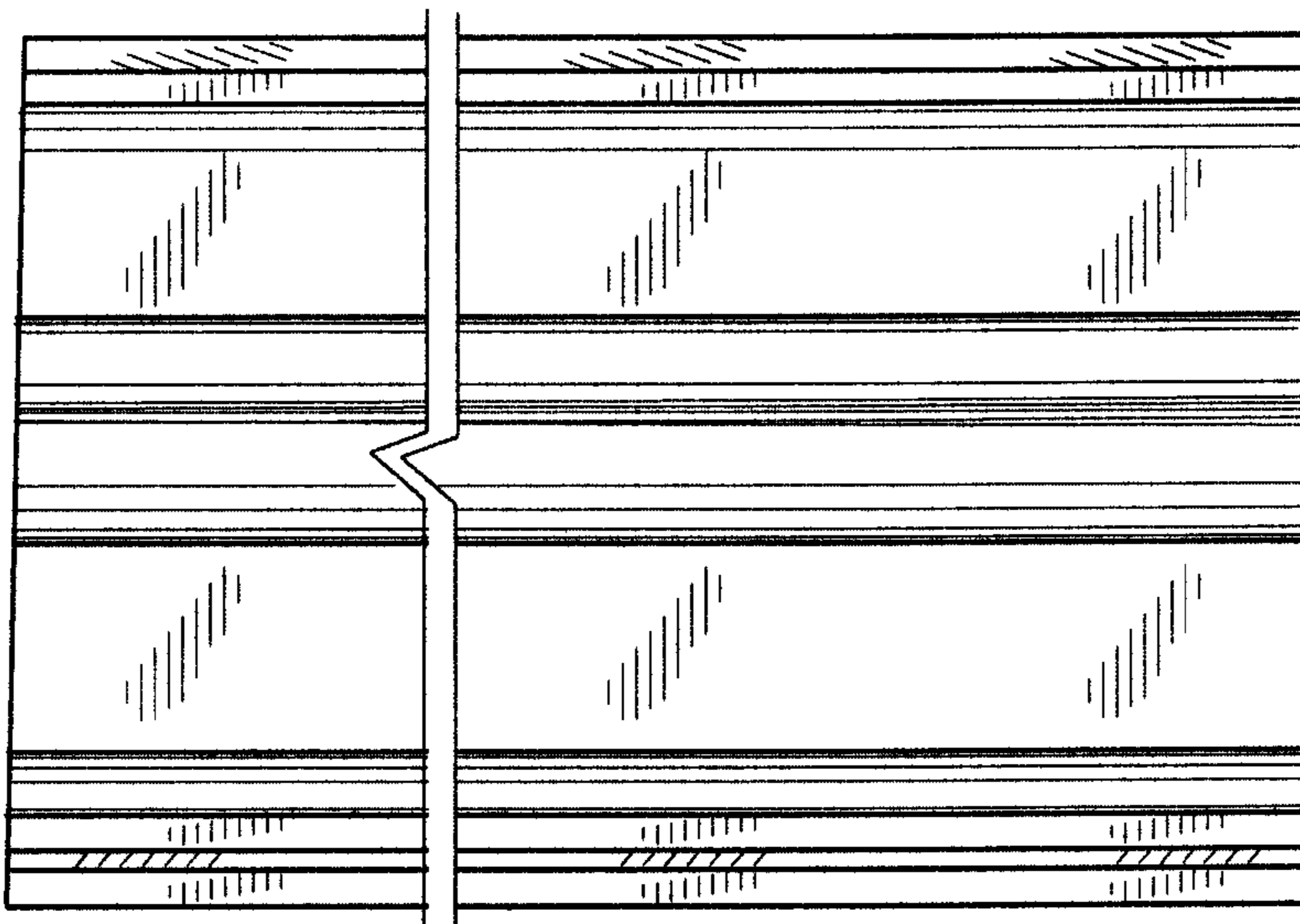


FIG. 4

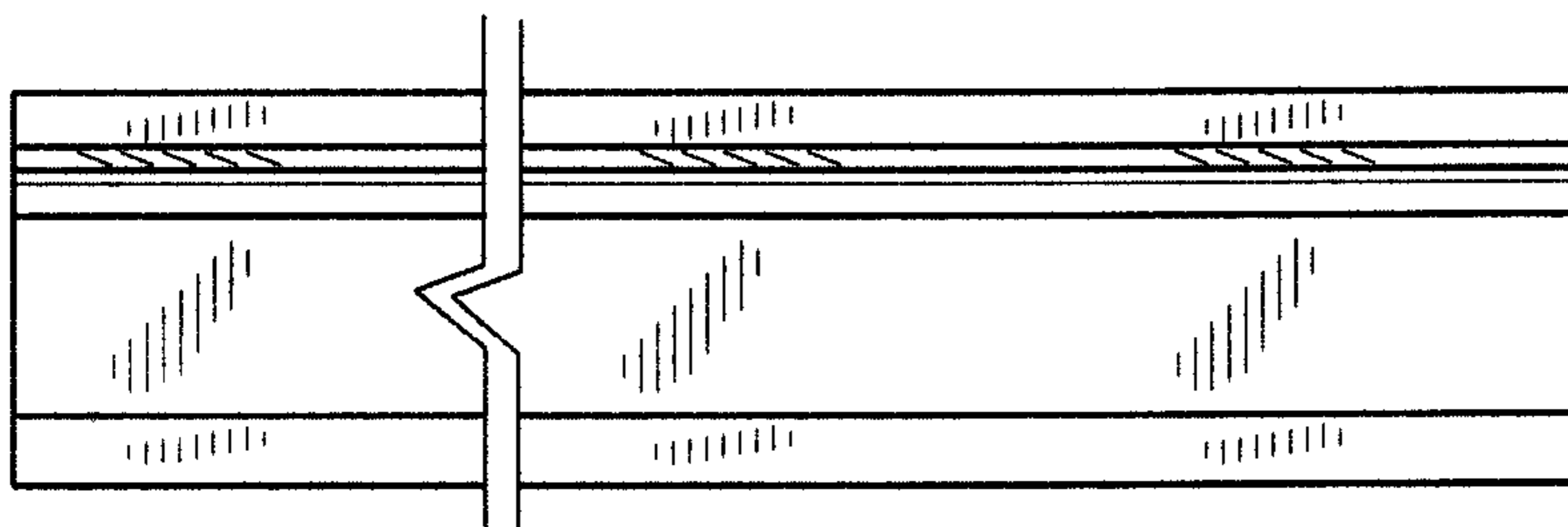


FIG. 6

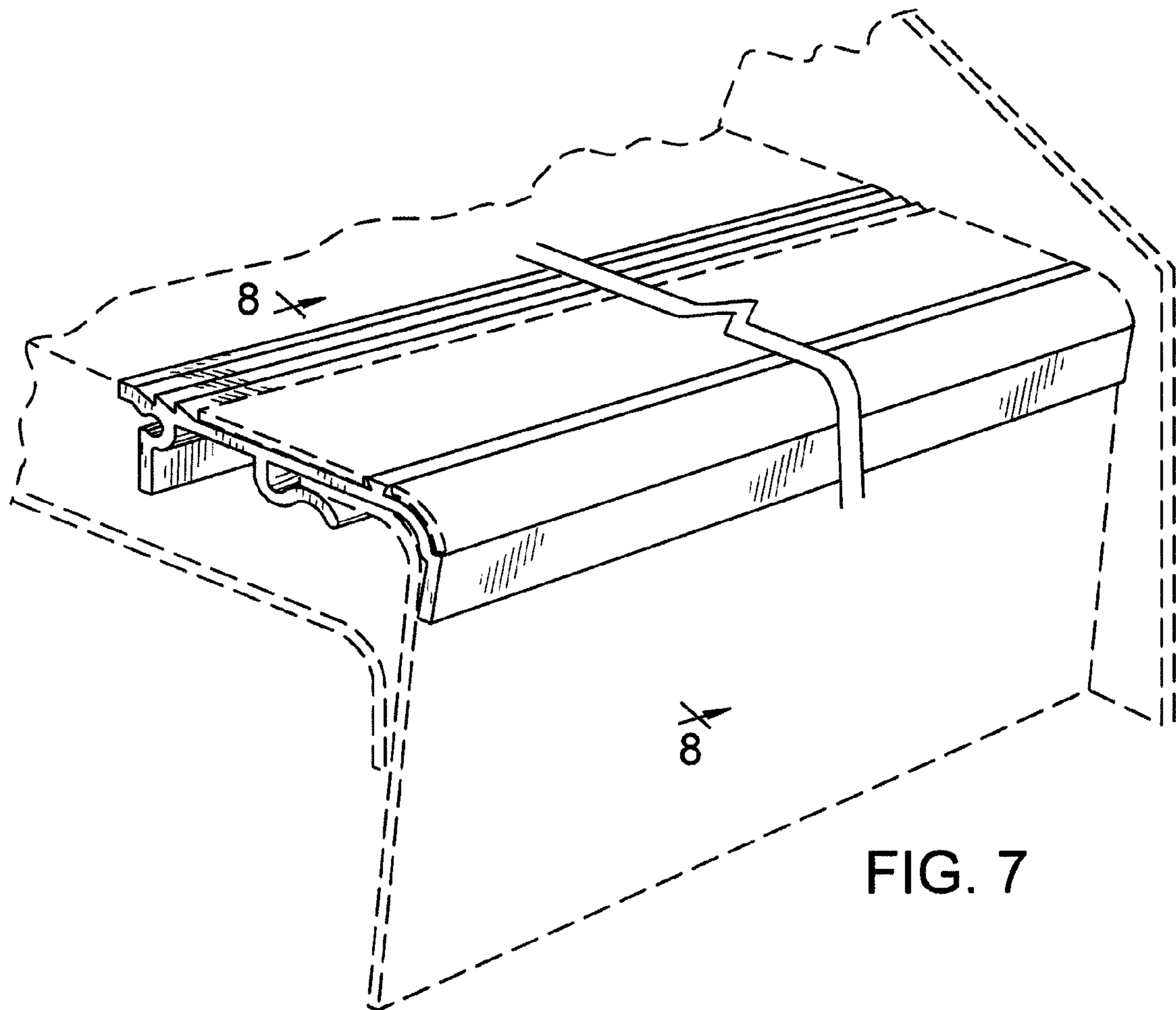


FIG. 7

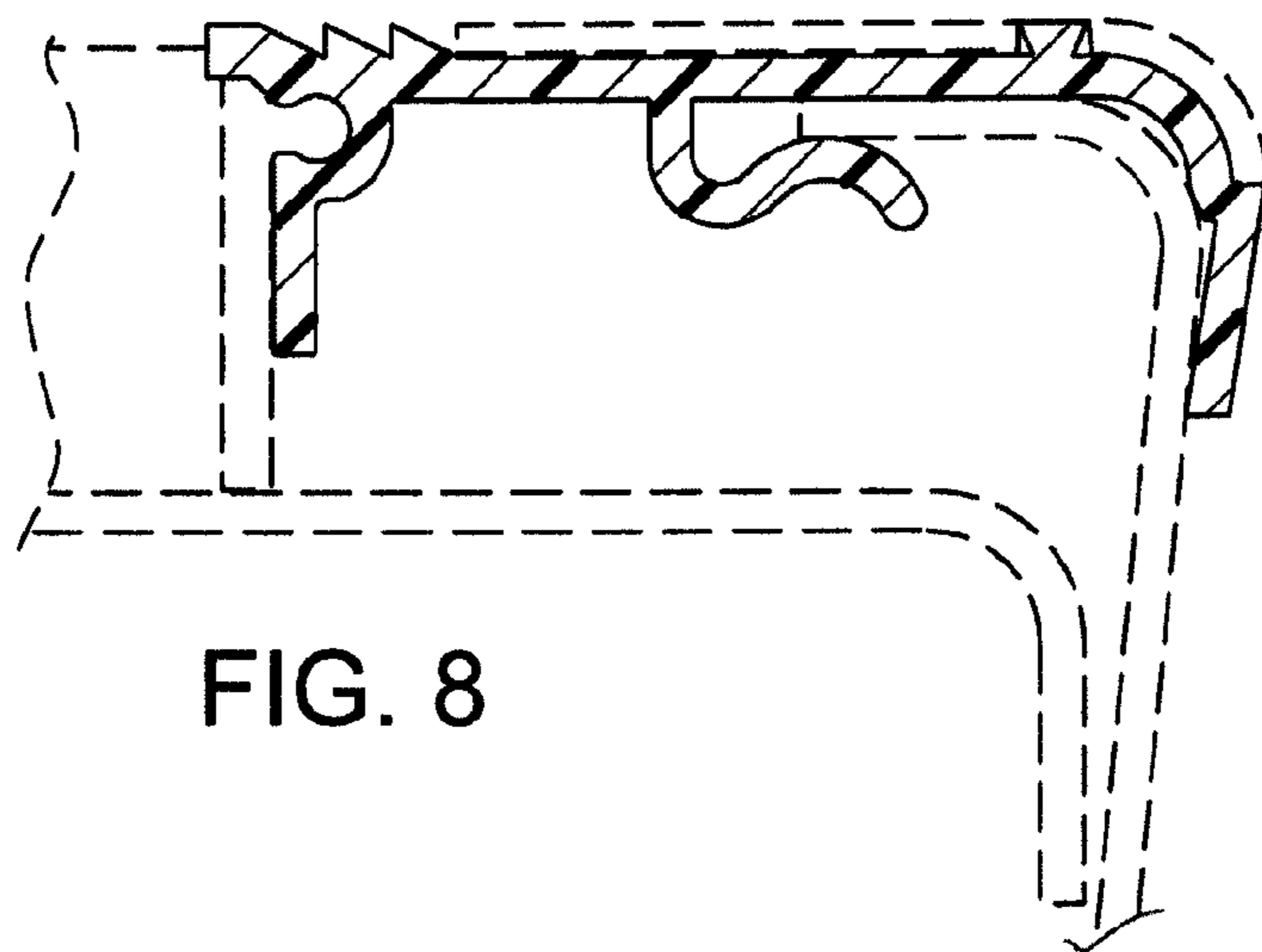


FIG. 8