



US00D621959S

(12) **United States Design Patent**
Klockler

(10) **Patent No.:** **US D621,959 S**

(45) **Date of Patent:** **** Aug. 17, 2010**

(54) **PORTABLE STAIR PLATFORM**

(76) Inventor: **Alan Klockler**, 245 N. Albany Ave.,
North Massapequa, NY (US) 11758

(**) Term: **14 Years**

(21) Appl. No.: **29/356,251**

(22) Filed: **Feb. 23, 2010**

Related U.S. Application Data

(63) Continuation of application No. 11/503,735, filed on
Aug. 14, 2006.

(51) **LOC (9) Cl.** **25-04**

(52) **U.S. Cl.** **D25/62**

(58) **Field of Classification Search** D25/62;
182/116, 152, 33, 33.3, 101, 107, 112, 115,
182/119, 122; 428/439

See application file for complete search history.

(56) **References Cited**

U.S. PATENT DOCUMENTS

352,716 A * 11/1886 Slack 182/121
1,057,722 A * 4/1913 Goetz 248/439
4,237,661 A * 12/1980 Adams et al. 52/8

4,753,320 A * 6/1988 Walter 182/33
D306,487 S * 3/1990 Fowler, Jr. D25/62
5,715,910 A * 2/1998 Koch et al. 182/200
5,870,788 A * 2/1999 Witkin 14/69.5
7,162,760 B2 * 1/2007 Schweitzer 14/69.5

* cited by examiner

Primary Examiner—Doris Clark

(74) *Attorney, Agent, or Firm*—Dale J. Ream

(57) **CLAIM**

The ornamental design for a portable stair platform, as shown
and described.

DESCRIPTION

FIG. 1 is a perspective view of a portable stair platform
showing my new design;

FIG. 2 is a front view thereof;

FIG. 3 is a back view thereof;

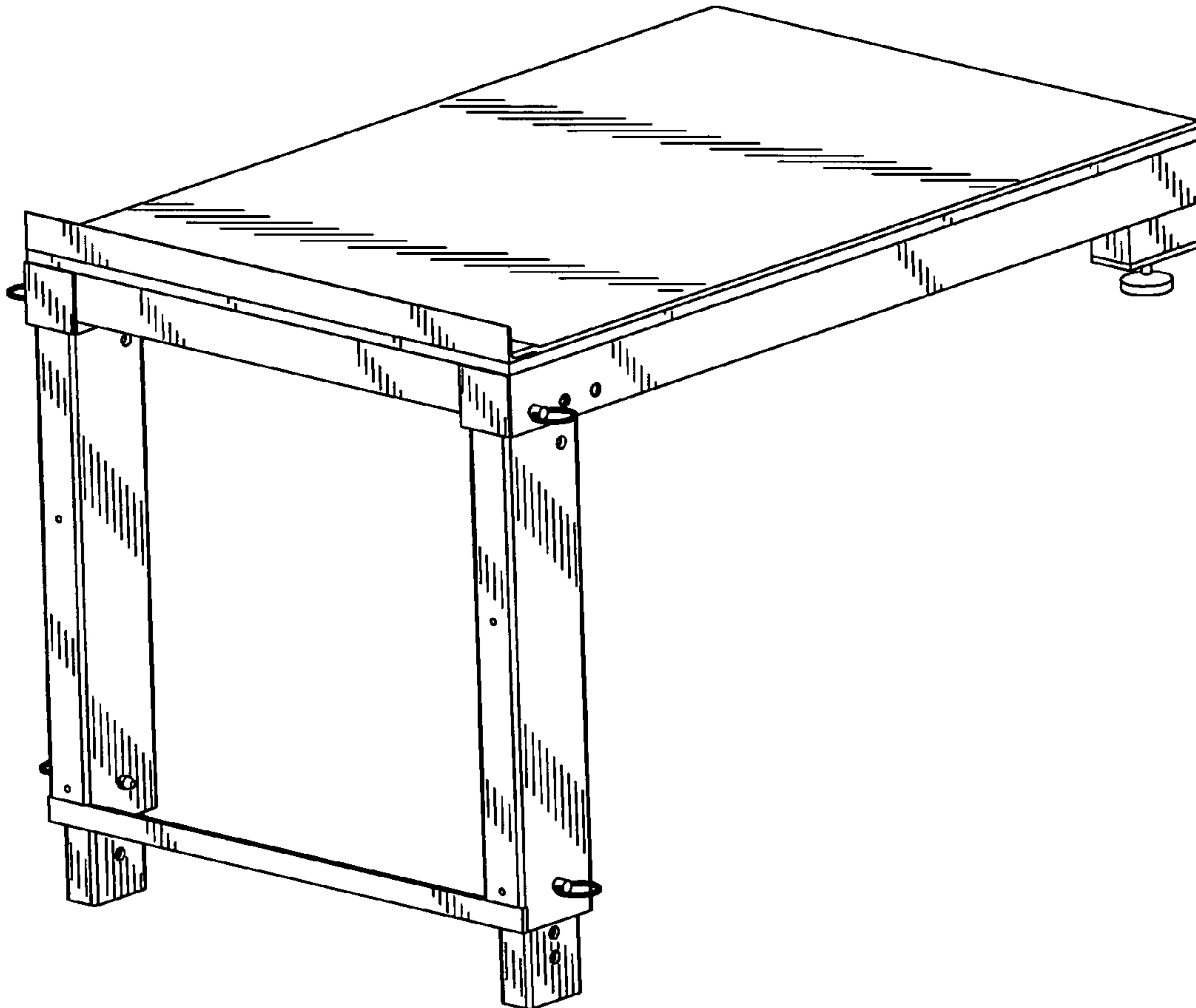
FIG. 4 is a left side view thereof;

FIG. 5 is a right side view thereof;

FIG. 6 is a top view thereof; and,

FIG. 7 is a bottom view thereof.

1 Claim, 4 Drawing Sheets



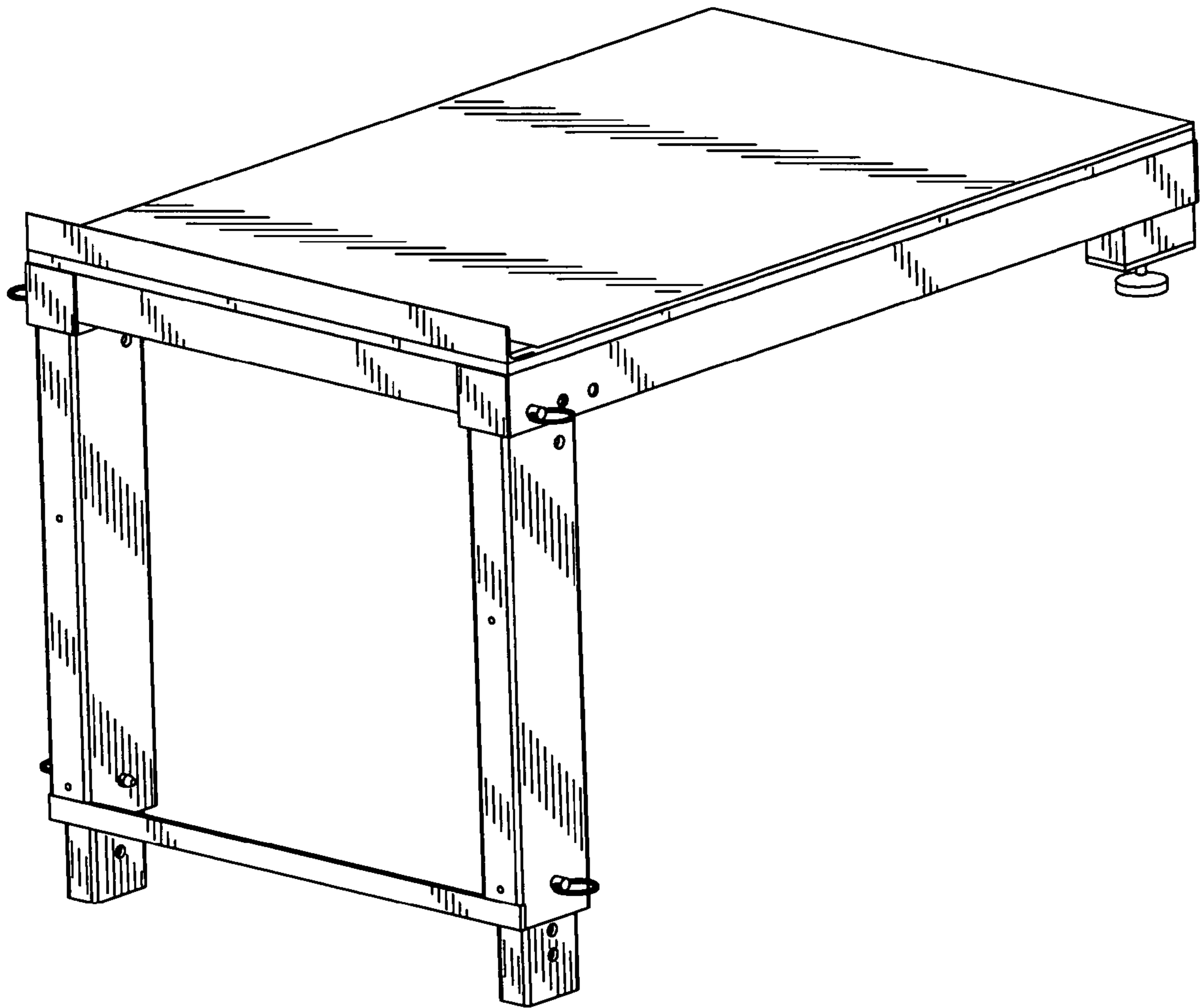


Fig. 1

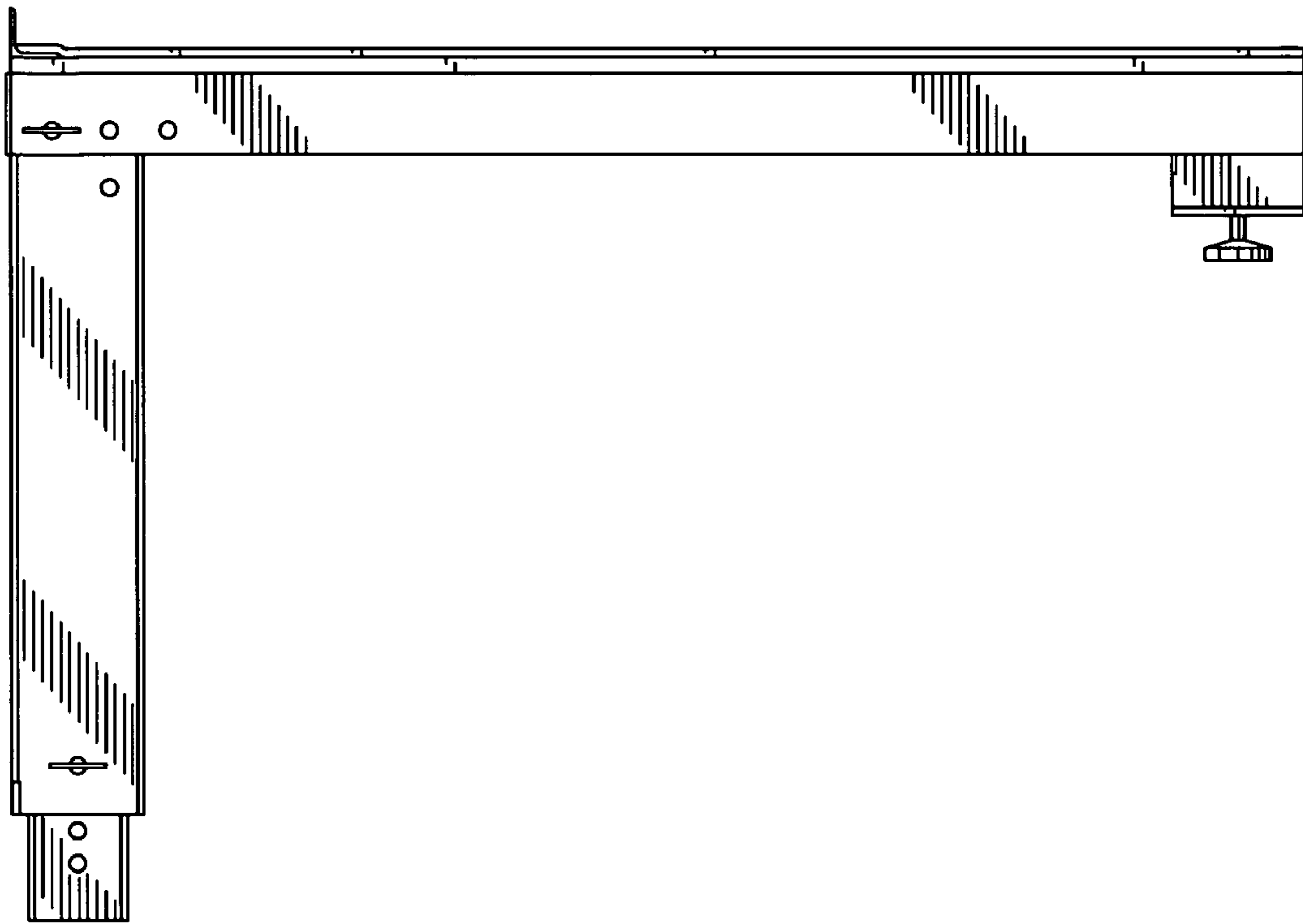


Fig. 2

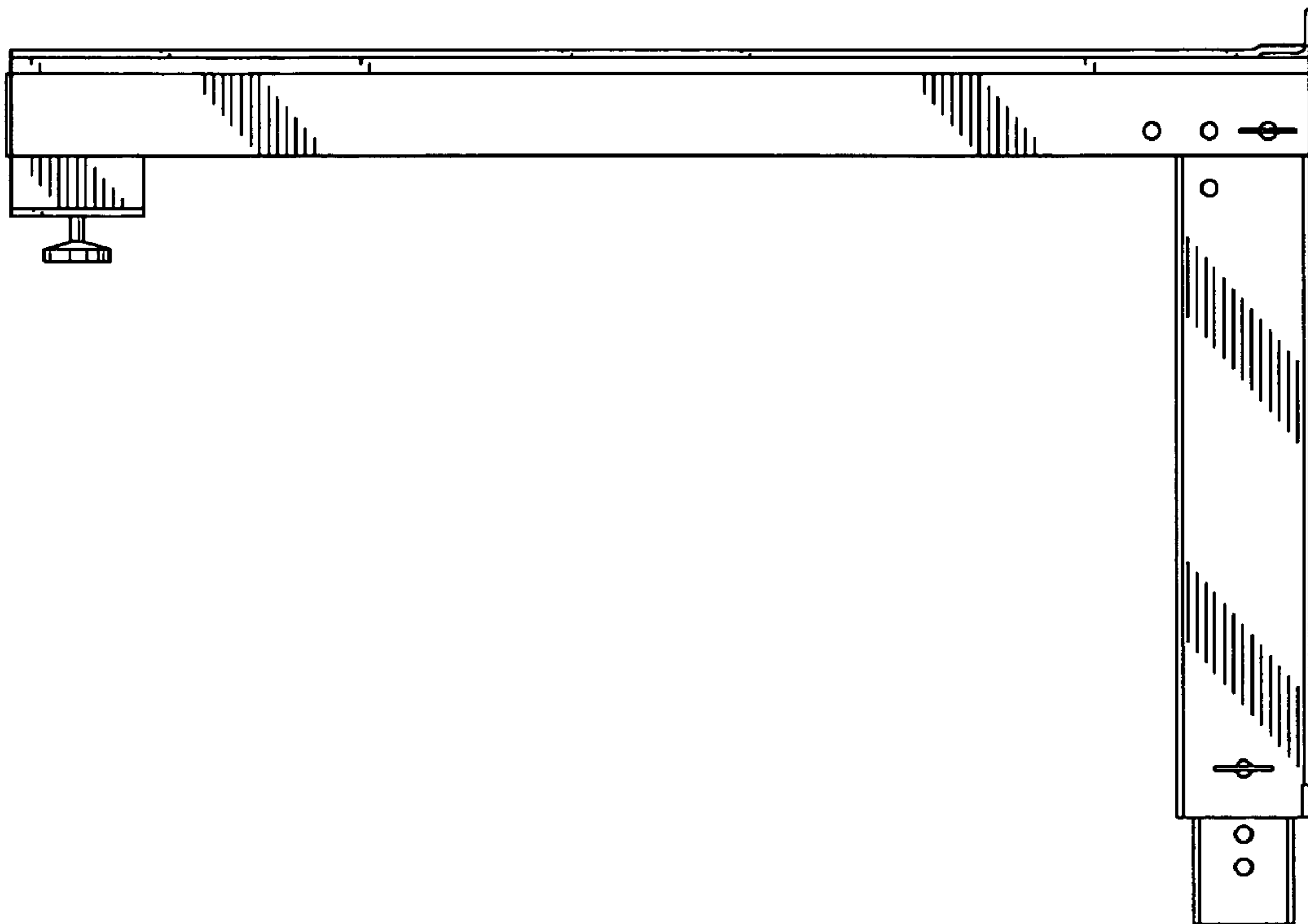


Fig. 3

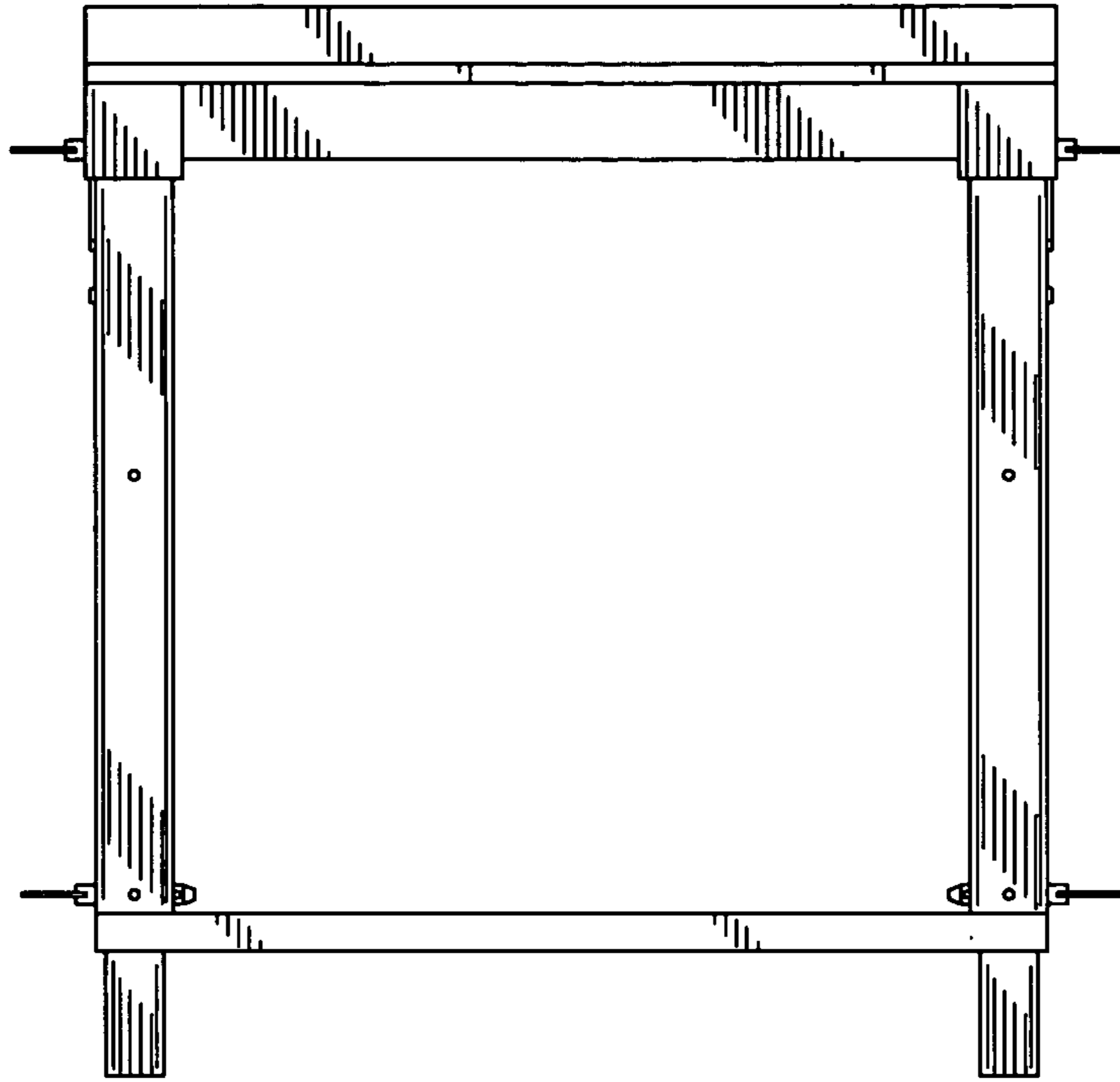


Fig. 4

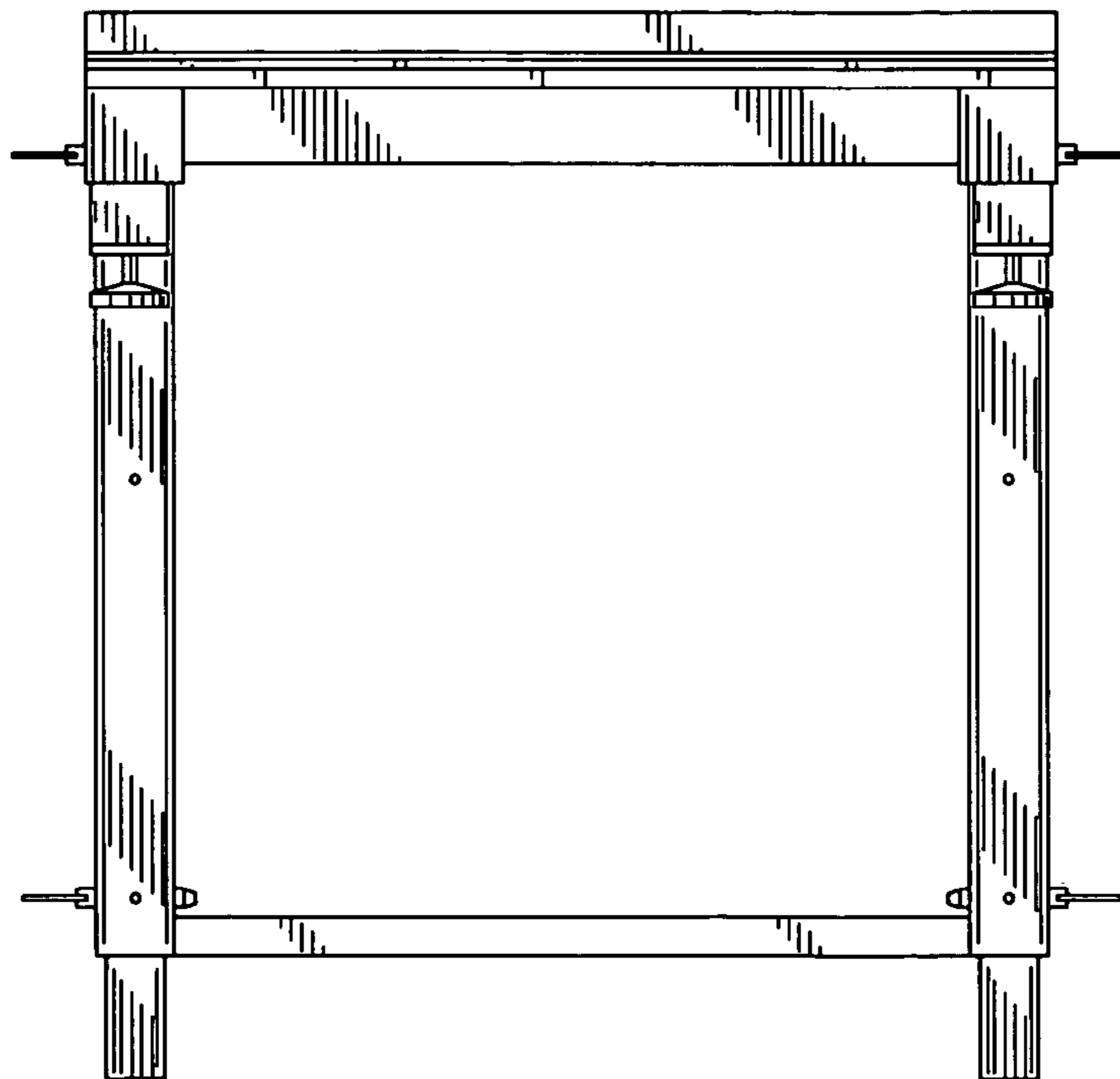


Fig. 5

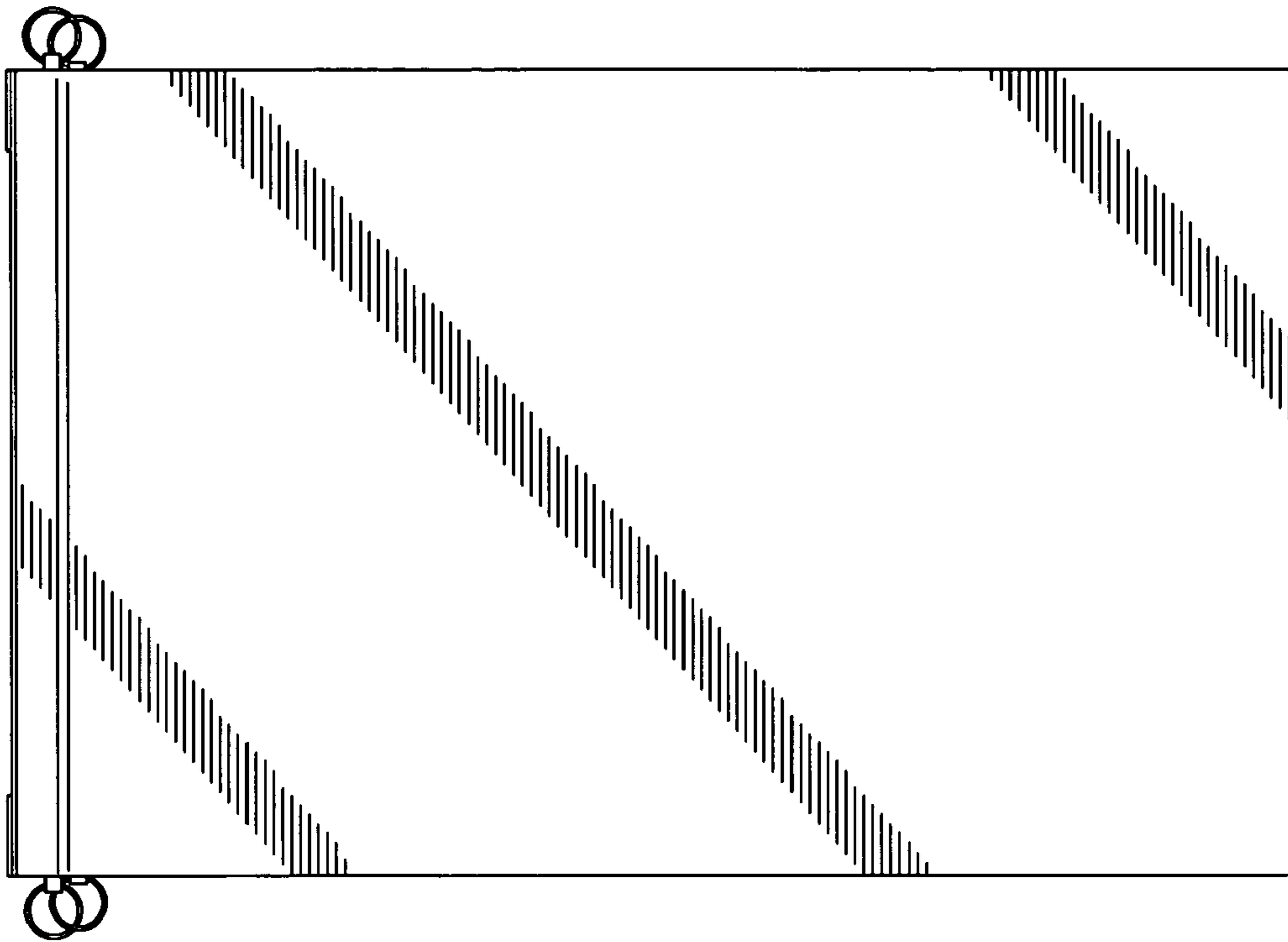


Fig. 6

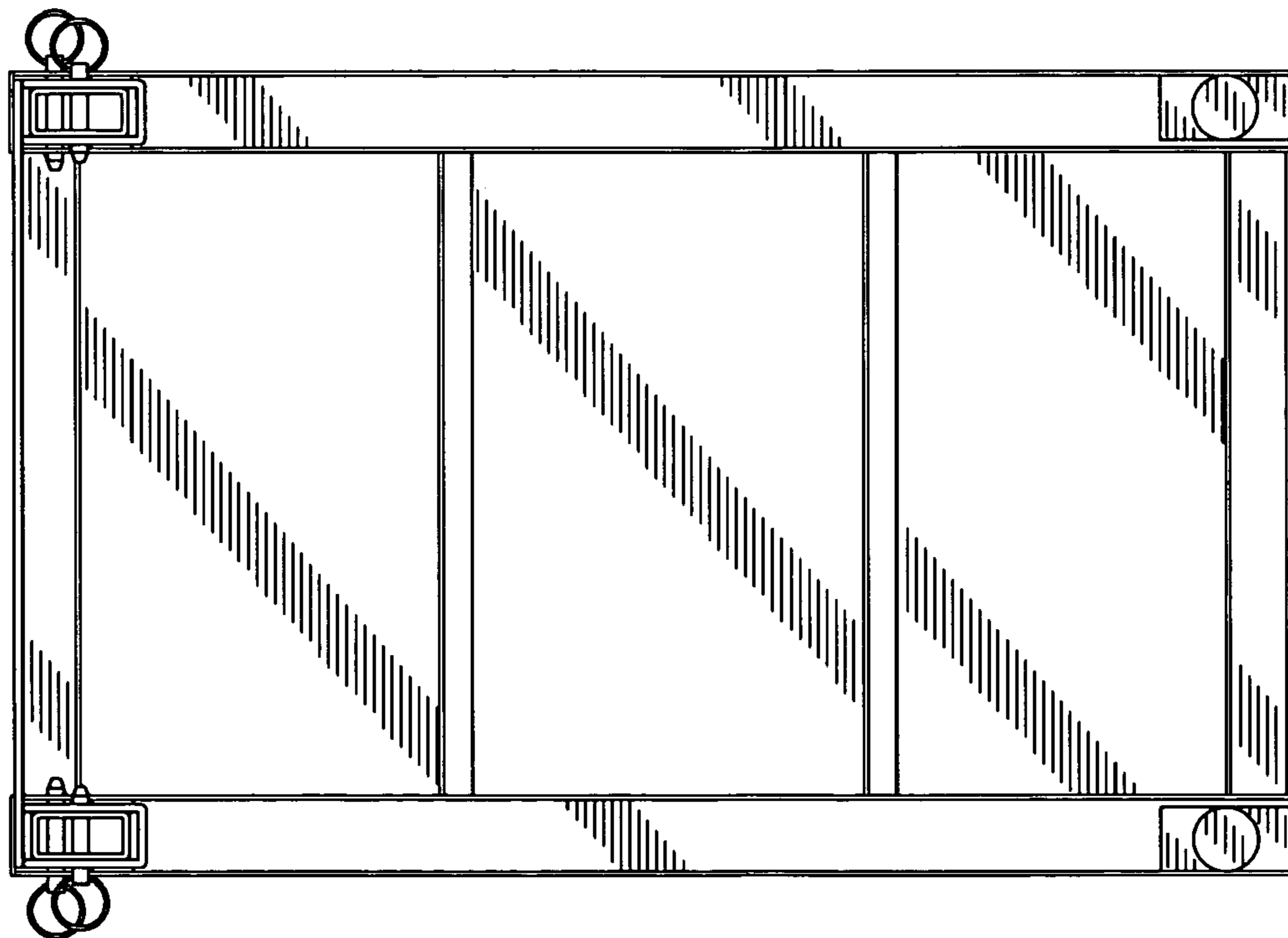


Fig. 7