



US00D621957S

(12) **United States Design Patent**
Lundh

(10) **Patent No.:** **US D621,957 S**

(45) **Date of Patent:** **** Aug. 17, 2010**

(54) **CHILD SAFETY BARRIER**

(75) Inventor: **Joran Lundh**, c/o Lascal Ltd., Suite 919,
9th Floor, Tower 3, China Hong Kong
City, 33 Canton Road, Kowloon (HK)

(73) Assignee: **Joran Lundh**, Kowloon (HK)

(**) Term: **14 Years**

(21) Appl. No.: **29/356,270**

(22) Filed: **Feb. 23, 2010**

Related U.S. Application Data

(62) Division of application No. 29/330,786, filed on Jan.
14, 2009.

(30) **Foreign Application Priority Data**

Jul. 15, 2008 (EM) 000970330

(51) **LOC (9) Cl.** **25-02**

(52) **U.S. Cl.** **D25/50**

(58) **Field of Classification Search** D25/50;
256/25, 26; 49/9, 55

See application file for complete search history.

(56) **References Cited**

U.S. PATENT DOCUMENTS

6,086,051 A * 7/2000 Wiebe et al. 256/25
6,591,553 B1 * 7/2003 Vaughn 49/466

D485,911 S * 1/2004 Learning et al. D25/50
6,691,467 B2 * 2/2004 Hincer, Sr. 49/463
D511,009 S * 10/2005 McGregor D25/38

* cited by examiner

Primary Examiner—Doris Clark

(74) *Attorney, Agent, or Firm*—Pillsbury Winthrop Shaw
Pittman, LLP

(57) **CLAIM**

I claim the ornamental design for a child safety barrier, as
shown and described.

DESCRIPTION

FIG. 1 is a left side profile view of a child safety barrier
embodying an aspect of my new design;

FIG. 2 is a front perspective view of the child safety barrier of
FIG. 1, illustrated in an extended position;

FIG. 3 is a bottom plan view of the child safety barrier of FIG.
1;

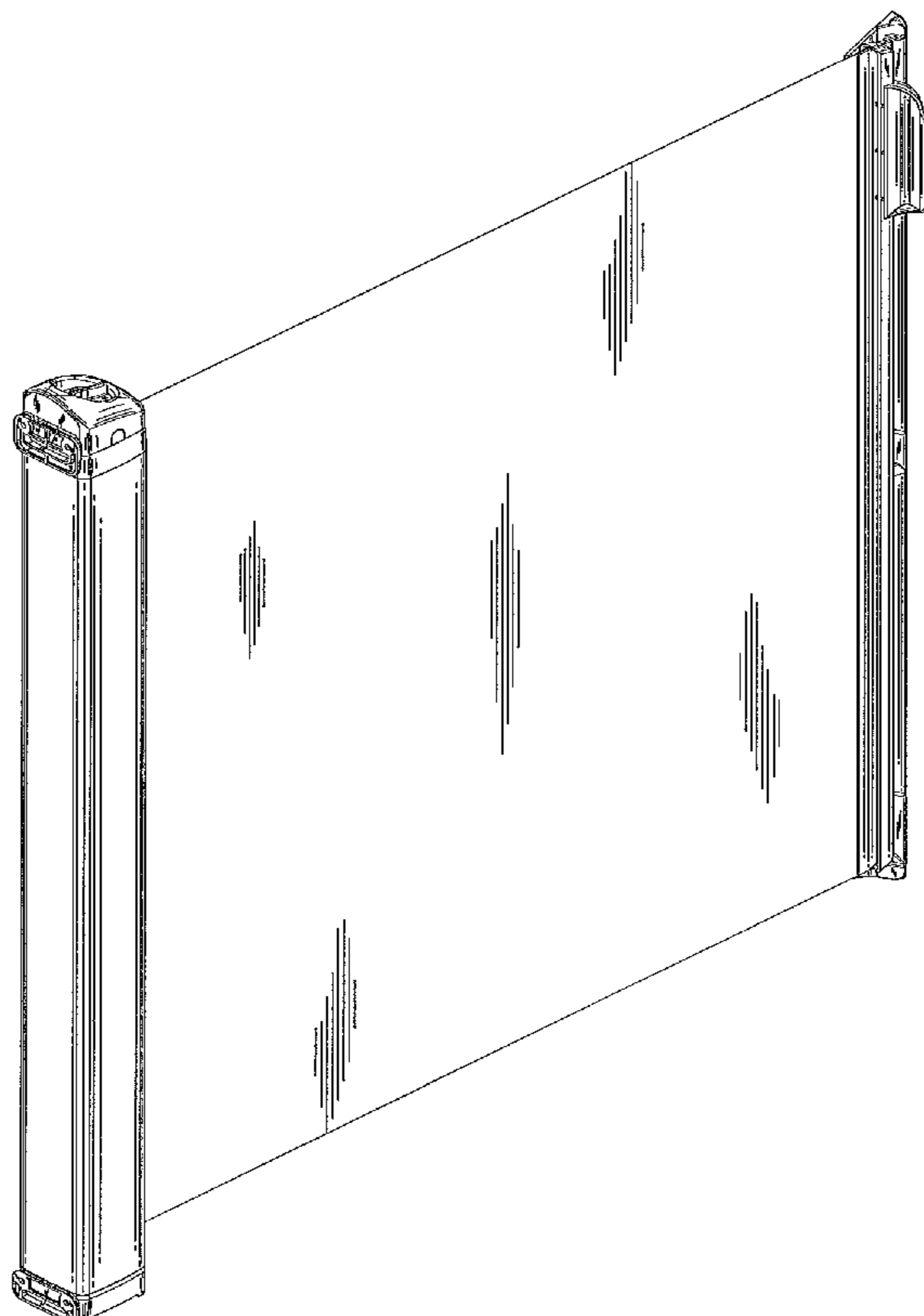
FIG. 4 is a front elevational view of the child safety barrier of
FIG. 1;

FIG. 5 is a top plan view of the child safety barrier of FIG. 1;

FIG. 6 is another perspective view of the child safety barrier
of FIG. 1; and,

FIG. 7 is a right side profile view of the child safety barrier of
FIG. 1.

1 Claim, 7 Drawing Sheets



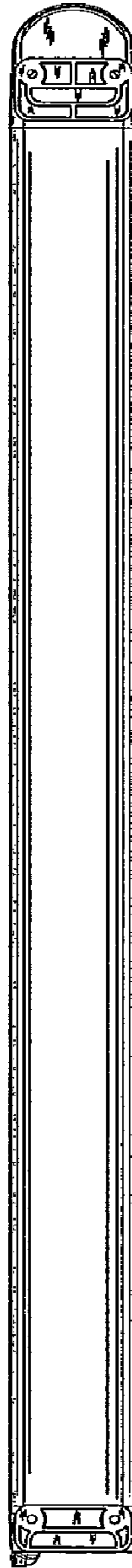


Fig. 1

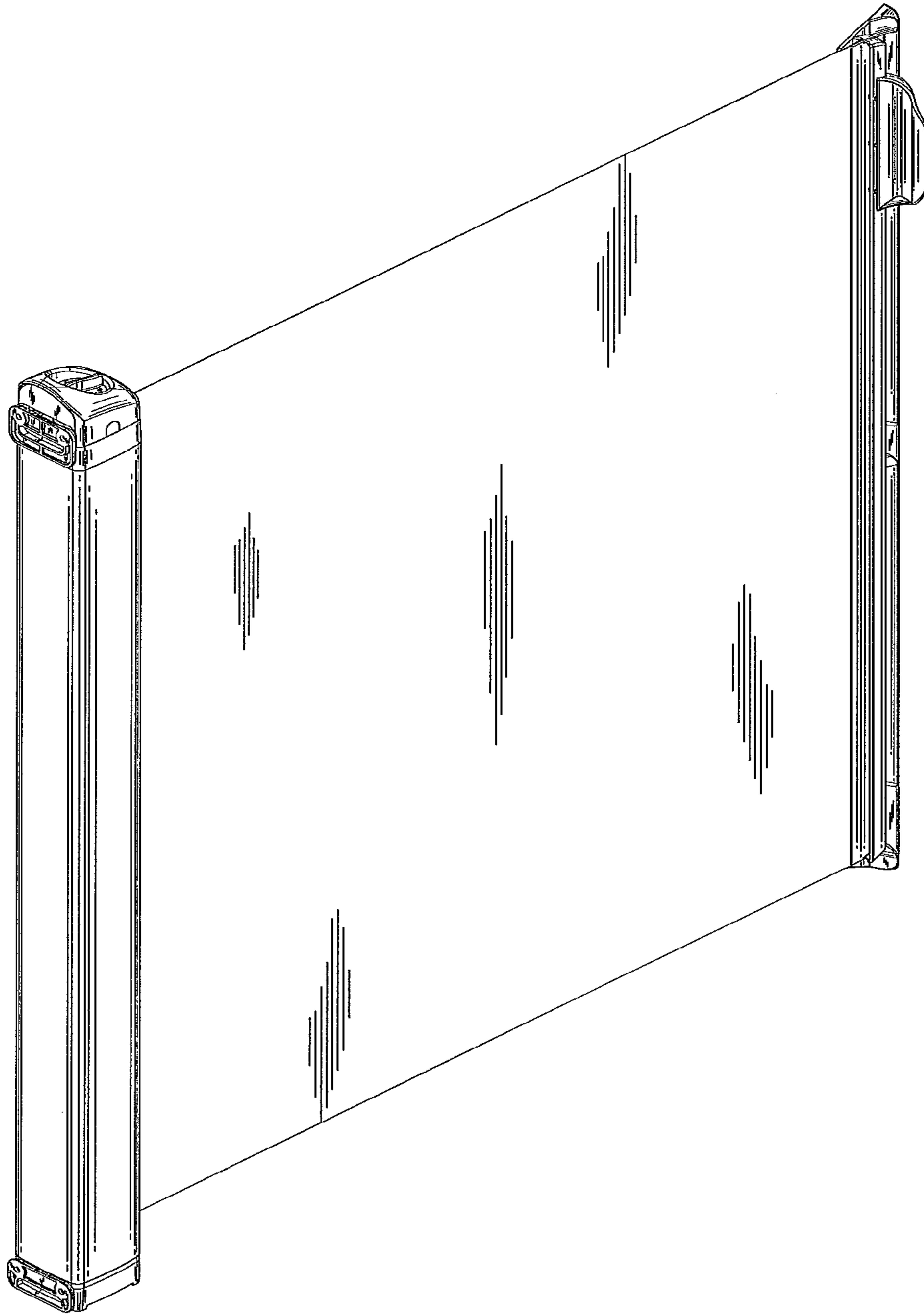


Fig. 2



Fig. 3

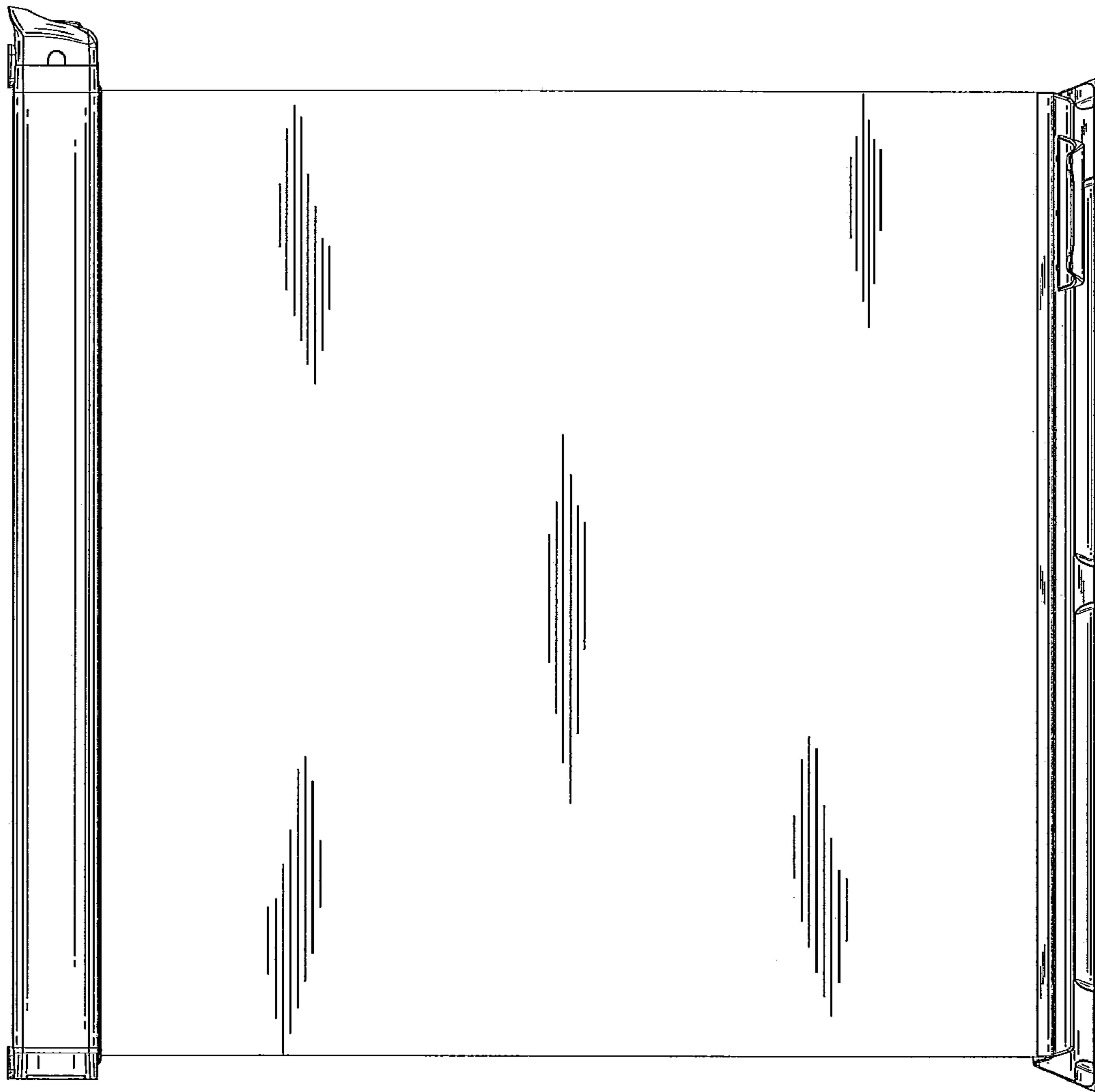


Fig. 4

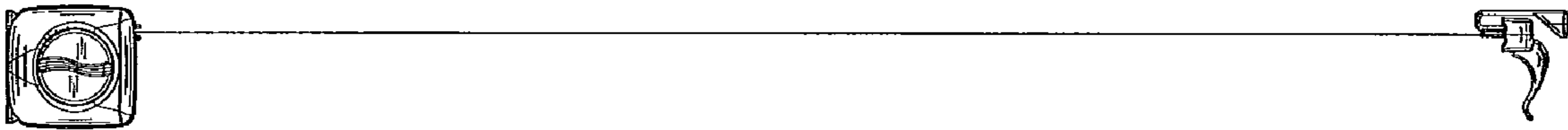


Fig. 5

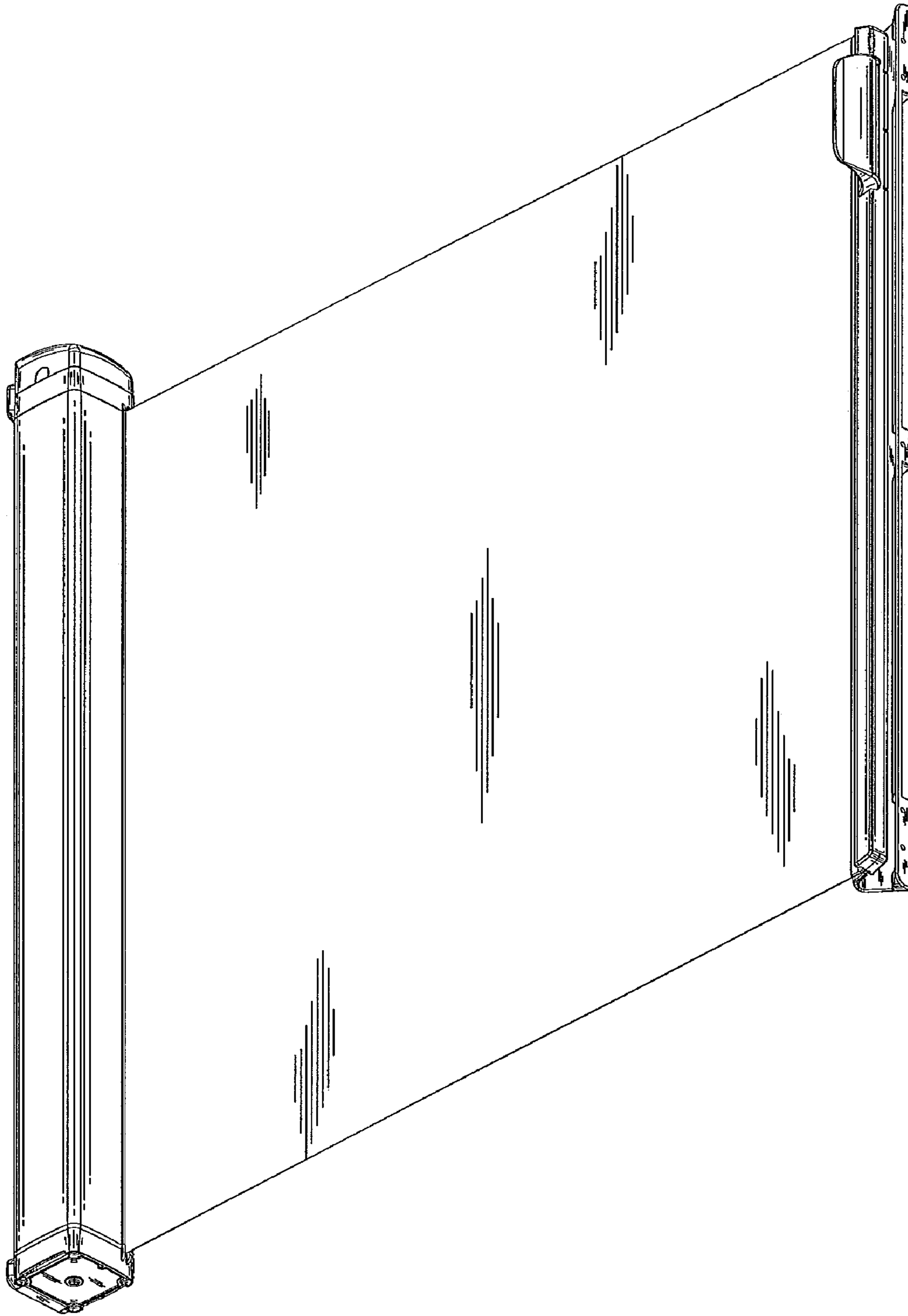


Fig. 6

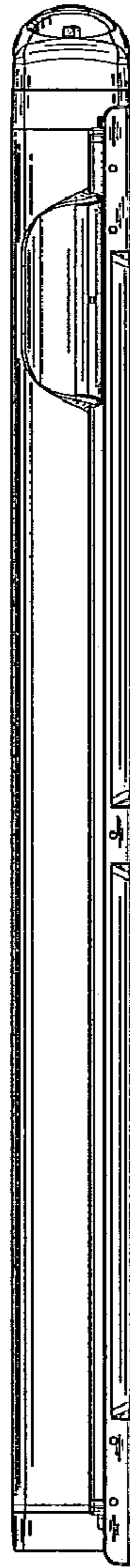


Fig. 7