



US00D621948S

(12) **United States Design Patent**
Ton

(10) **Patent No.:** **US D621,948 S**

(45) **Date of Patent:** **** Aug. 17, 2010**

(54) **PEDICURE BASIN**

(57) **CLAIM**

(76) **Inventor:** **Quy That Ton**, 3131 Dalrymple Dr.,
Baton Rouge, LA (US) 70815

The ornamental design for the pedicure basin, as shown and described.

(**) **Term:** **14 Years**

DESCRIPTION

(21) **Appl. No.:** **29/336,231**

(22) **Filed:** **Apr. 29, 2009**

Related U.S. Application Data

(63) Continuation-in-part of application No. 29/249,138,
filed on Sep. 22, 2006, now abandoned.

(51) **LOC (9) Cl.** **28-03**

(52) **U.S. Cl.** **D24/205; D28/61**

(58) **Field of Classification Search** D28/56-62;
601/66, 157; D24/204-205; 4/622, 541.1-541.6;
132/73, 73.5, 74.5, 75; 297/423.1, 423.19
See application file for complete search history.

FIG. 1 is a right and upper side view of my new pedicure basin, the broken lines shown of a portion of the basin are for illustrative purposes only and form no part of the claimed design;

FIG. 2 is a rear and upper side view of the pedicure basin shown in FIG. 1, the broken lines show of a portion of the basin are for illustrative purposes only and form no part of the claimed design;

FIG. 3 is a top view of the pedicure basin shown in FIG. 1, the broken lines show of a portion of the basin are for illustrative purposes only and form no part of the claimed design; and

FIG. 4 is a left side view of the pedicure basin shown in FIG. 1, the broken lines show of a portion of the basin are for illustrative purposes only and form no part of the claimed design.

FIG. 5 is the front view of the pedicure basin in FIG. 1, the broken lines show of a portion of the basin are for illustrative purposes only and form no part of the claimed design; and,

FIG. 6 is the rear view of the pedicure basin in FIG. 1, the broken lines show of a portion of the basin are for illustrative purposes only and form no part of the claimed design.

The broken line hose has been removed in FIGS. 3 and 6 for convenience of illustration.

(56) **References Cited**

U.S. PATENT DOCUMENTS

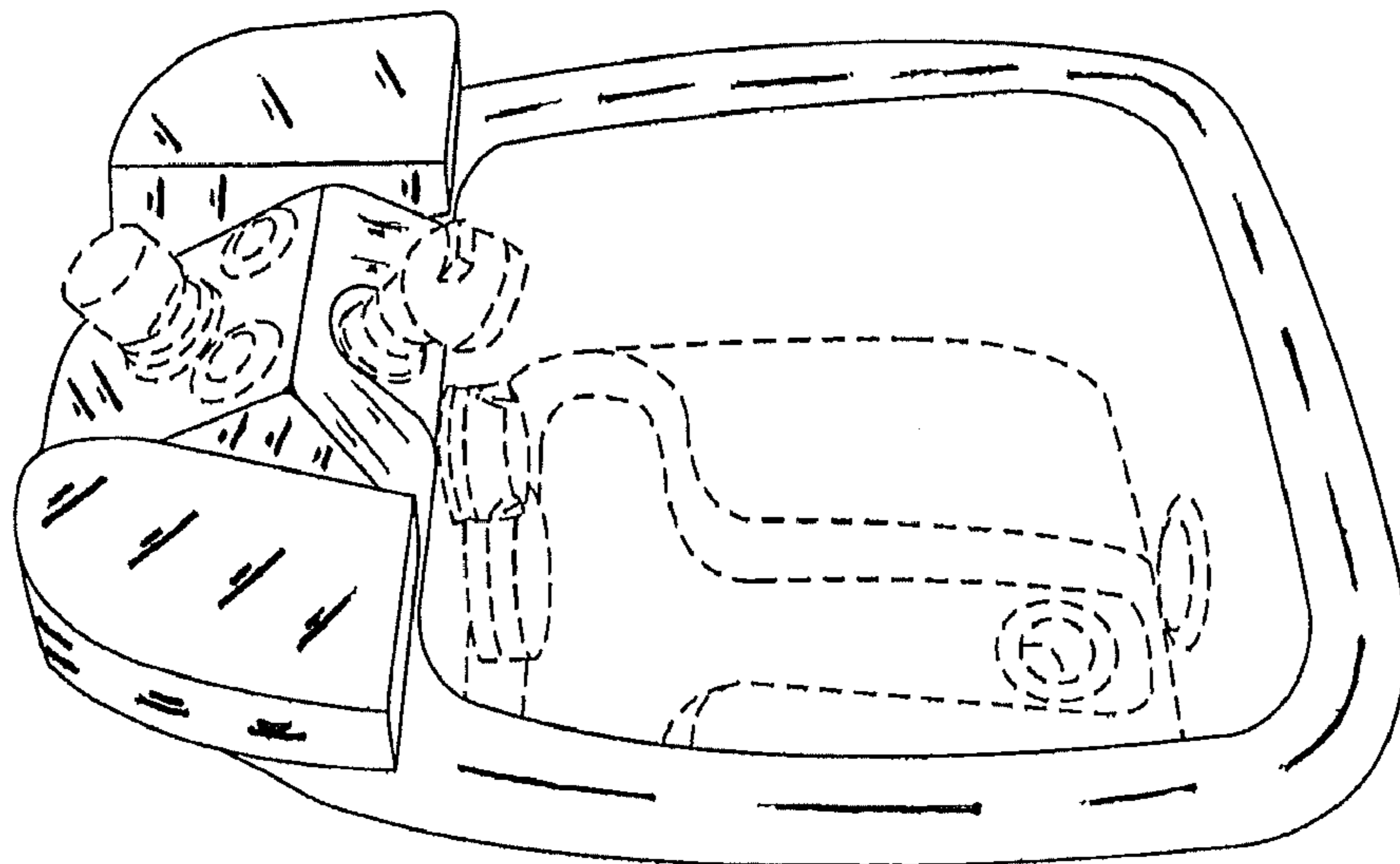
2004/0194205	A1*	10/2004	Leung	4/622
2005/0204466	A1*	9/2005	Luong	4/622
2006/0036198	A1*	2/2006	Cafaro et al.	601/22
2007/0136944	A1*	6/2007	Long	4/622
2007/0143918	A1*	6/2007	Cafaro et al.	4/622
2008/0184481	A1*	8/2008	Patterson et al.	4/622
2009/0058164	A1*	3/2009	Ton	297/423.19

* cited by examiner

Primary Examiner—Jennifer Rivard

(74) *Attorney, Agent, or Firm*—Duane Morris LLP

1 Claim, 3 Drawing Sheets



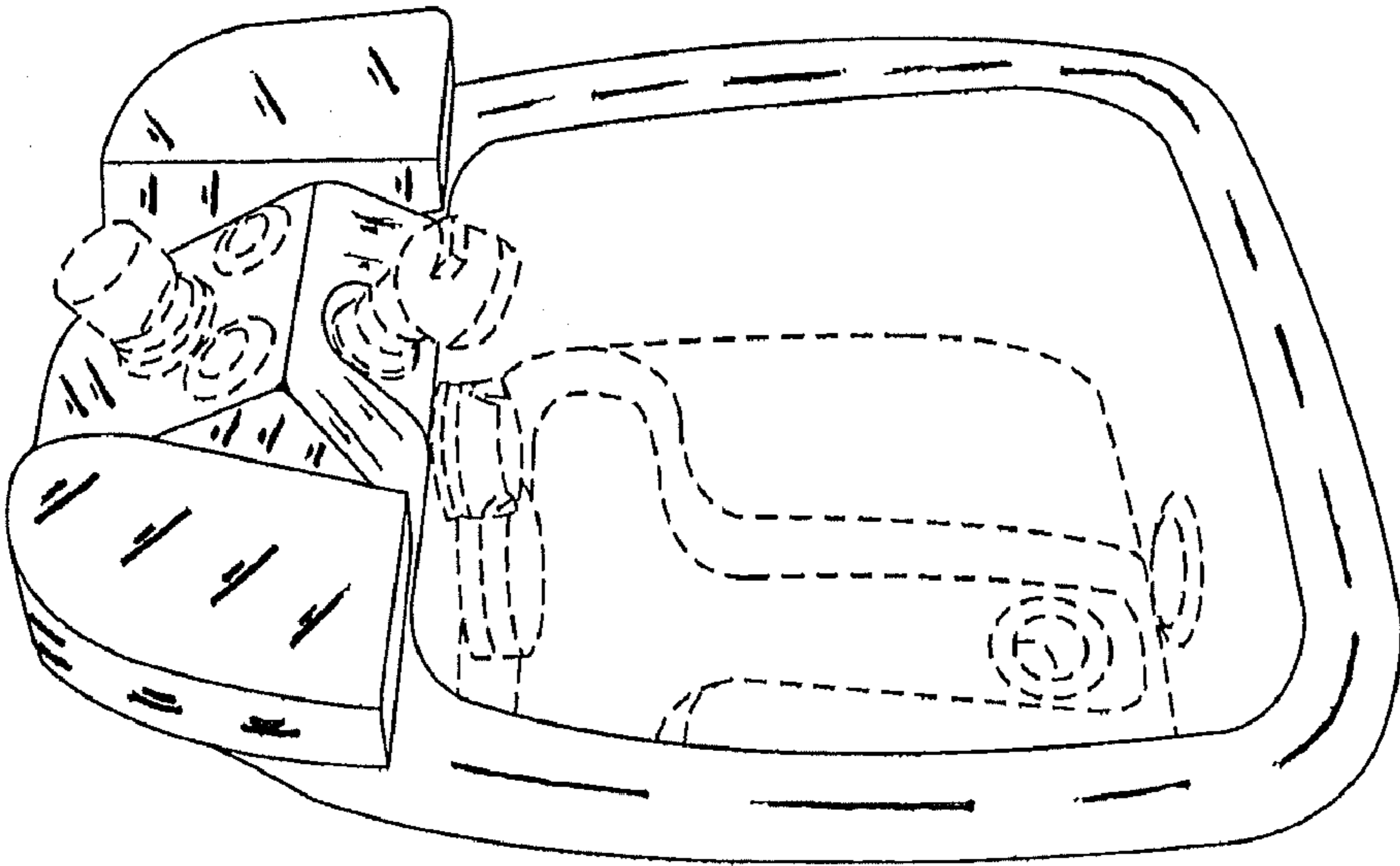


Fig. 1

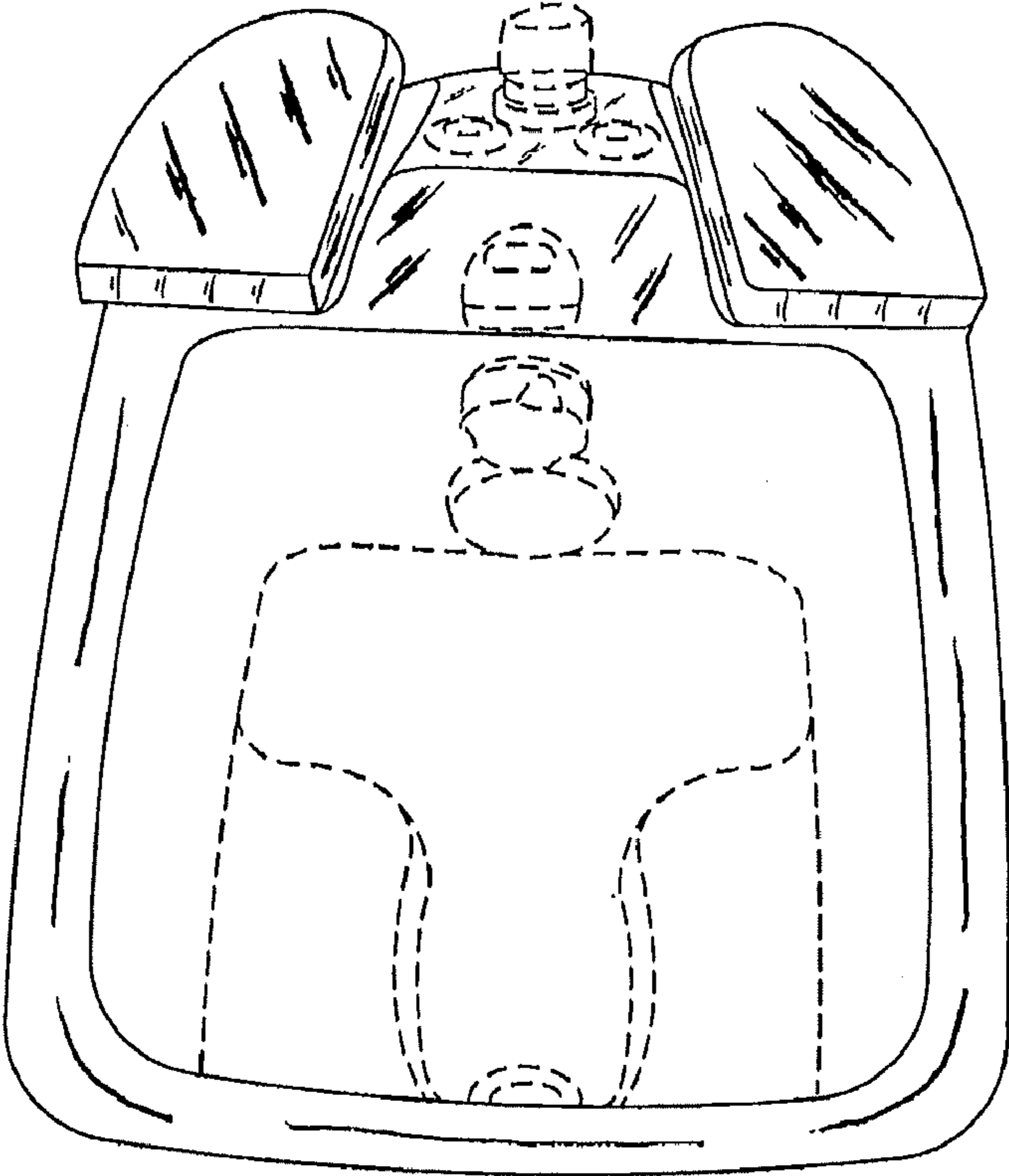


Fig. 2

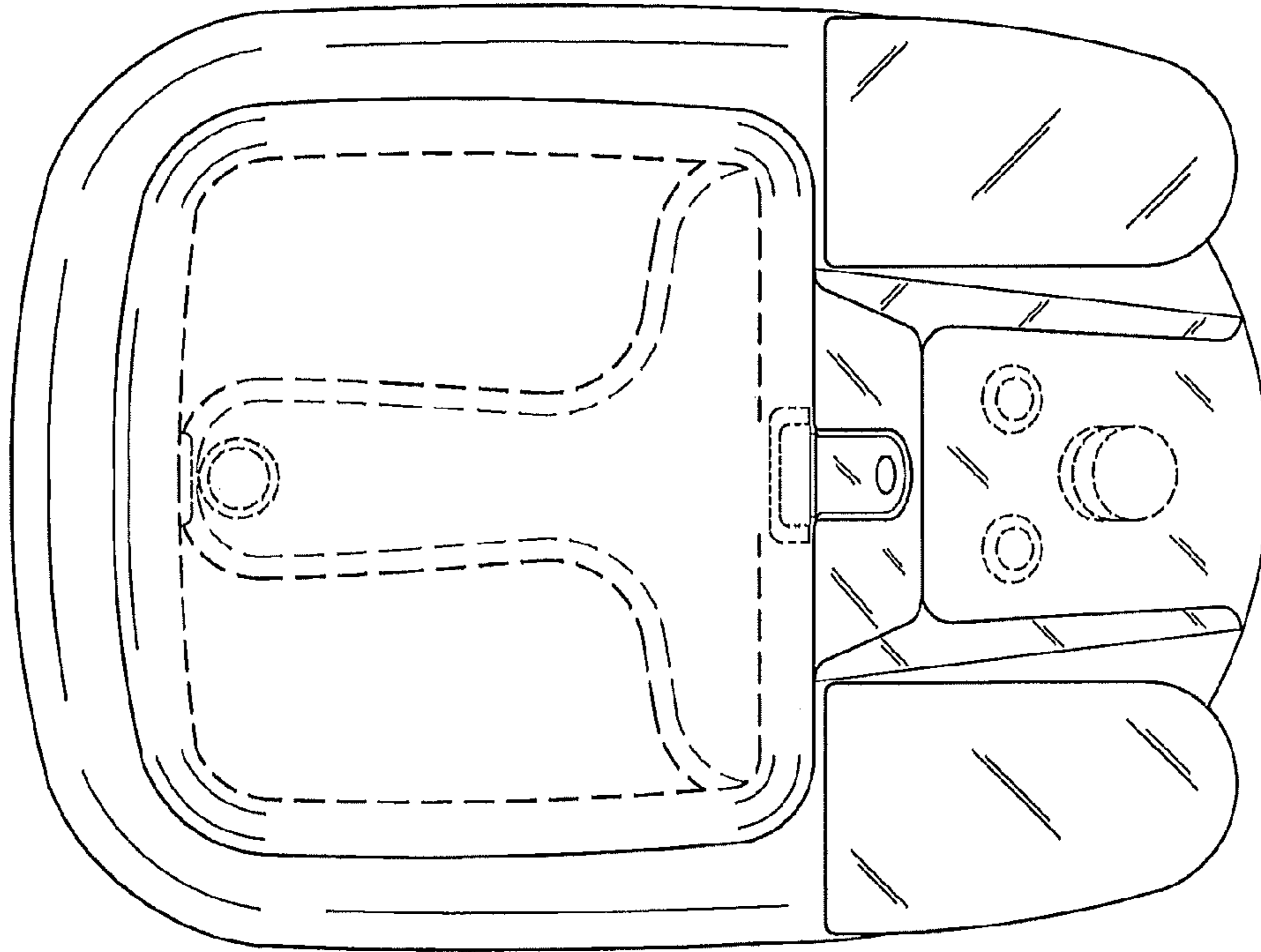


FIG. 3

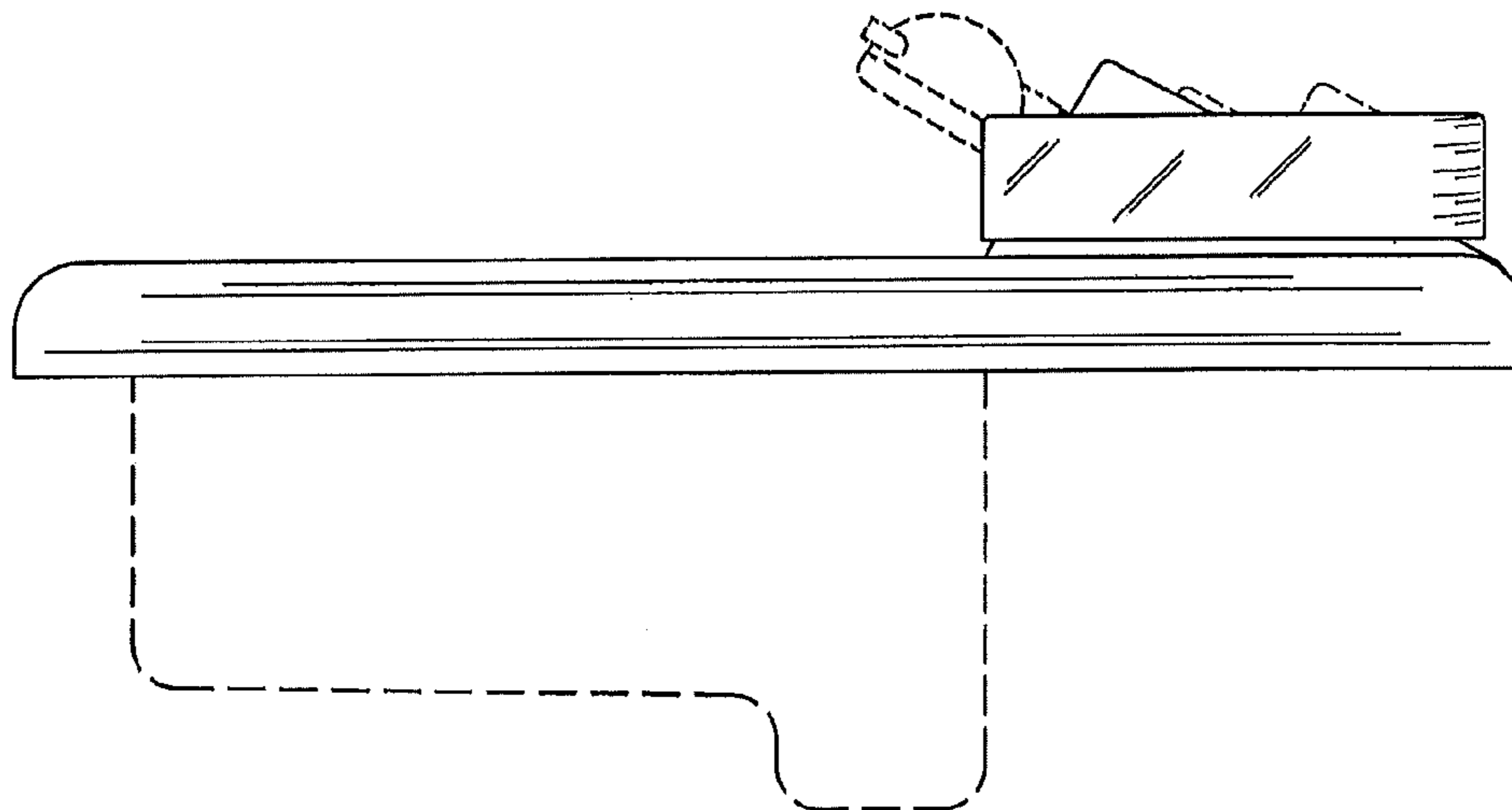


FIG. 4

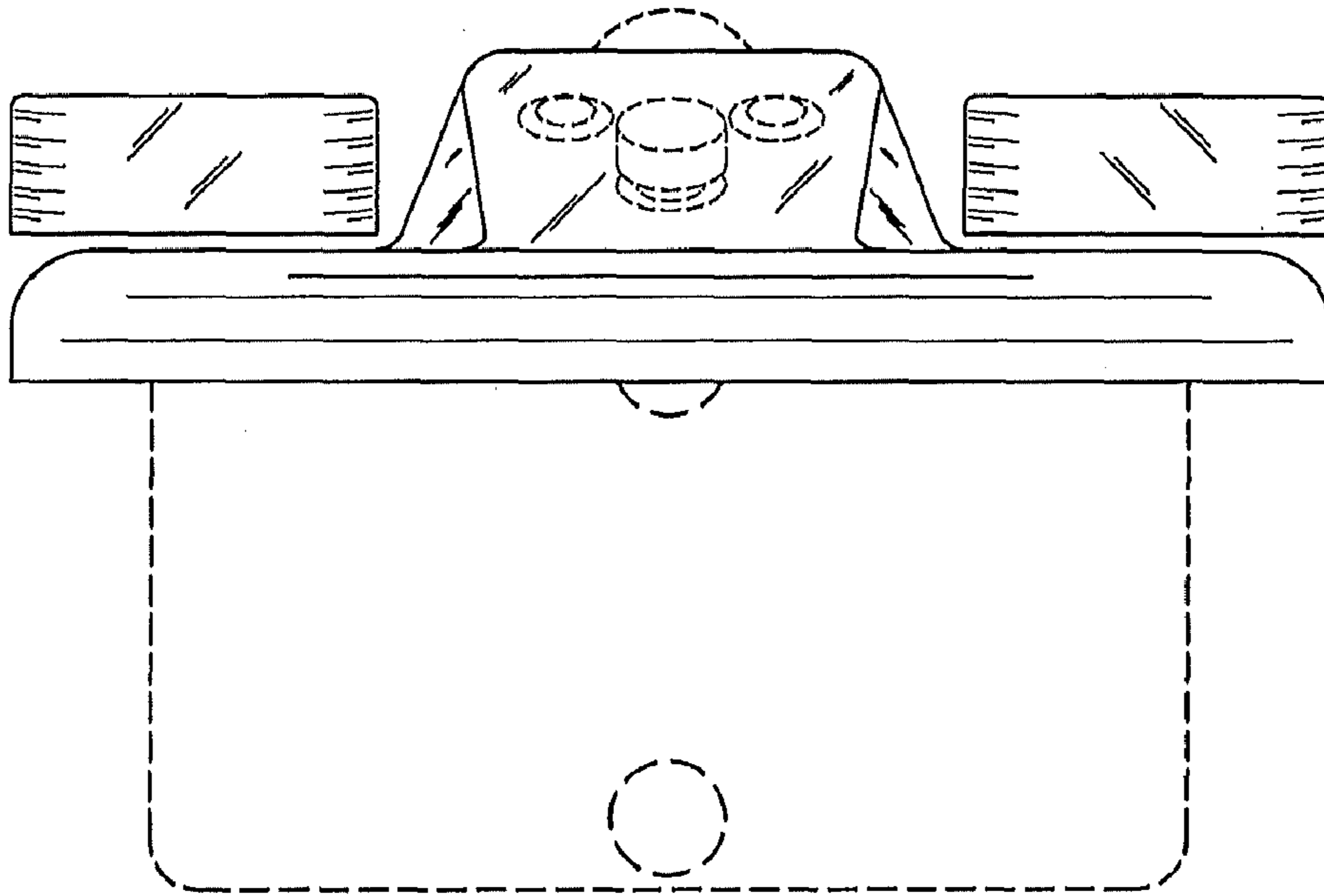


FIG. 5

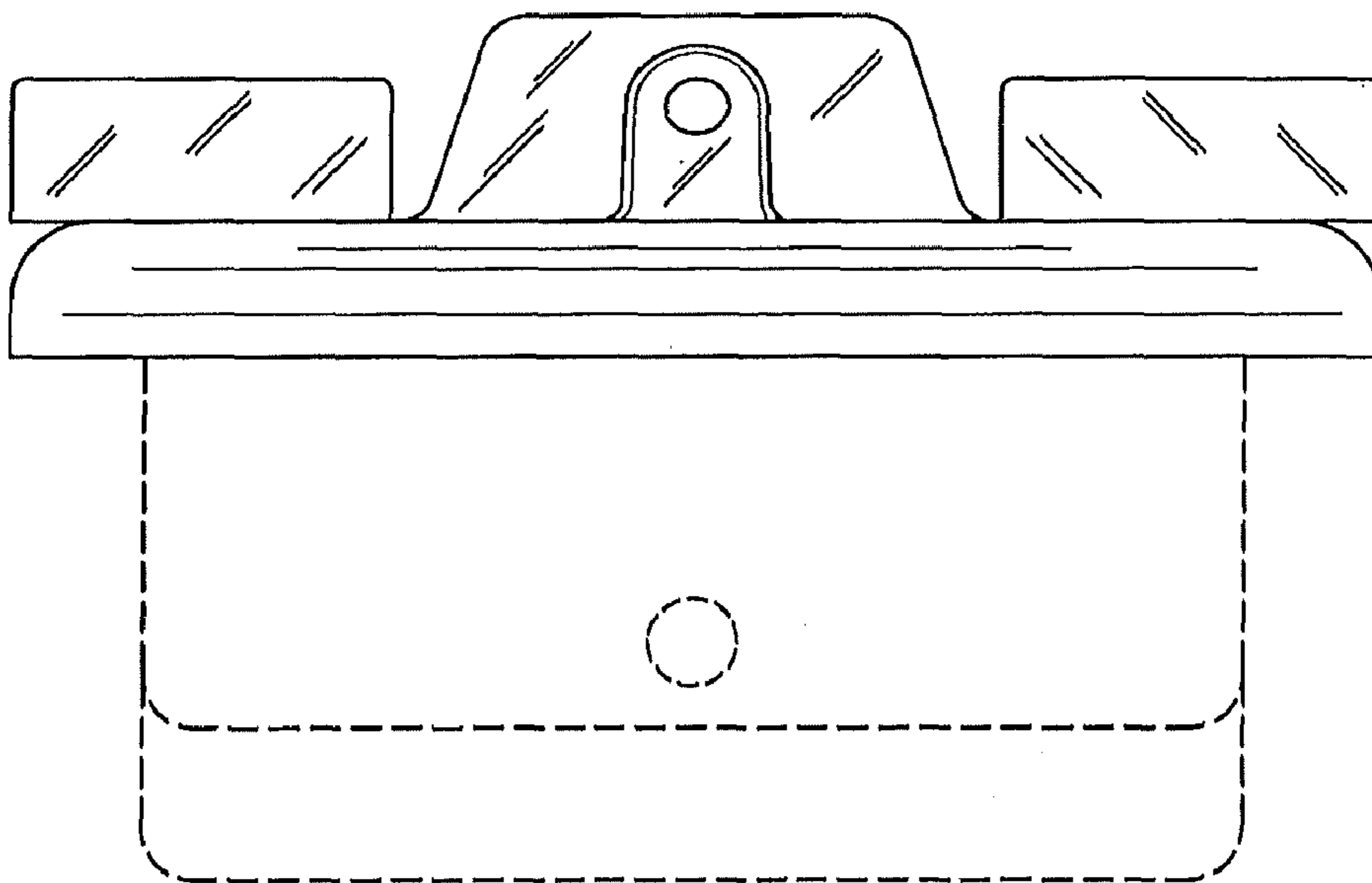


FIG. 6