

US00D621945S

(12) **United States Design Patent**
Ton

(10) **Patent No.:** **US D621,945 S**

(45) **Date of Patent:** **** *Aug. 17, 2010**

(54) **PEDICURE SPA**

(76) **Inventor:** **Quy That Ton**, 3131 Dalrymple Dr.,
Baton Rouge, LA (US) 70802

(*) **Notice:** This patent is subject to a terminal disclaimer.

(**) **Term:** **14 Years**

(21) **Appl. No.:** **29/343,586**

(22) **Filed:** **Sep. 15, 2009**

Related U.S. Application Data

(63) Continuation of application No. 29/283,201, filed on Aug. 8, 2007, now Pat. No. Des. 600,355.

(51) **LOC (9) Cl.** **24-04**

(52) **U.S. Cl.** **D24/204**

(58) **Field of Classification Search** None
See application file for complete search history.

(56) **References Cited**

U.S. PATENT DOCUMENTS

D247,511 S *	3/1978	Lee et al.	D24/205
D303,162 S *	8/1989	Meyerovich et al.	D28/61
D346,043 S *	4/1994	Galati et al.	D28/61
D457,018 S *	5/2002	Park	D6/495
6,503,212 B2 *	1/2003	Park	601/158
D506,830 S *	6/2005	Zimmermann	D24/204
D546,957 S *	7/2007	Ton	D24/201
D549,999 S *	9/2007	Fugate et al.	D6/500
D563,558 S *	3/2008	Ton	D24/201

D563,559 S *	3/2008	Ton	D24/201
D569,986 S *	5/2008	Ton	D24/204
D571,018 S *	6/2008	Ton et al.	D24/204
D600,355 S *	9/2009	Ton	D24/204

* cited by examiner

Primary Examiner—Cathron C Brooks

Assistant Examiner—Melanie Levy

(74) *Attorney, Agent, or Firm*—Duane Morris LLP

(57) **CLAIM**

The ornamental design for the pedicure spa, as shown and described.

DESCRIPTION

FIG. 1 is a perspective view showing the front, left and upper side of my new pedicure spa;

FIG. 2 is a left side view of the pedicure spa, such as that shown in FIG. 1;

FIG. 3 is a right side view of the pedicure spa, such as that shown in FIG. 1;

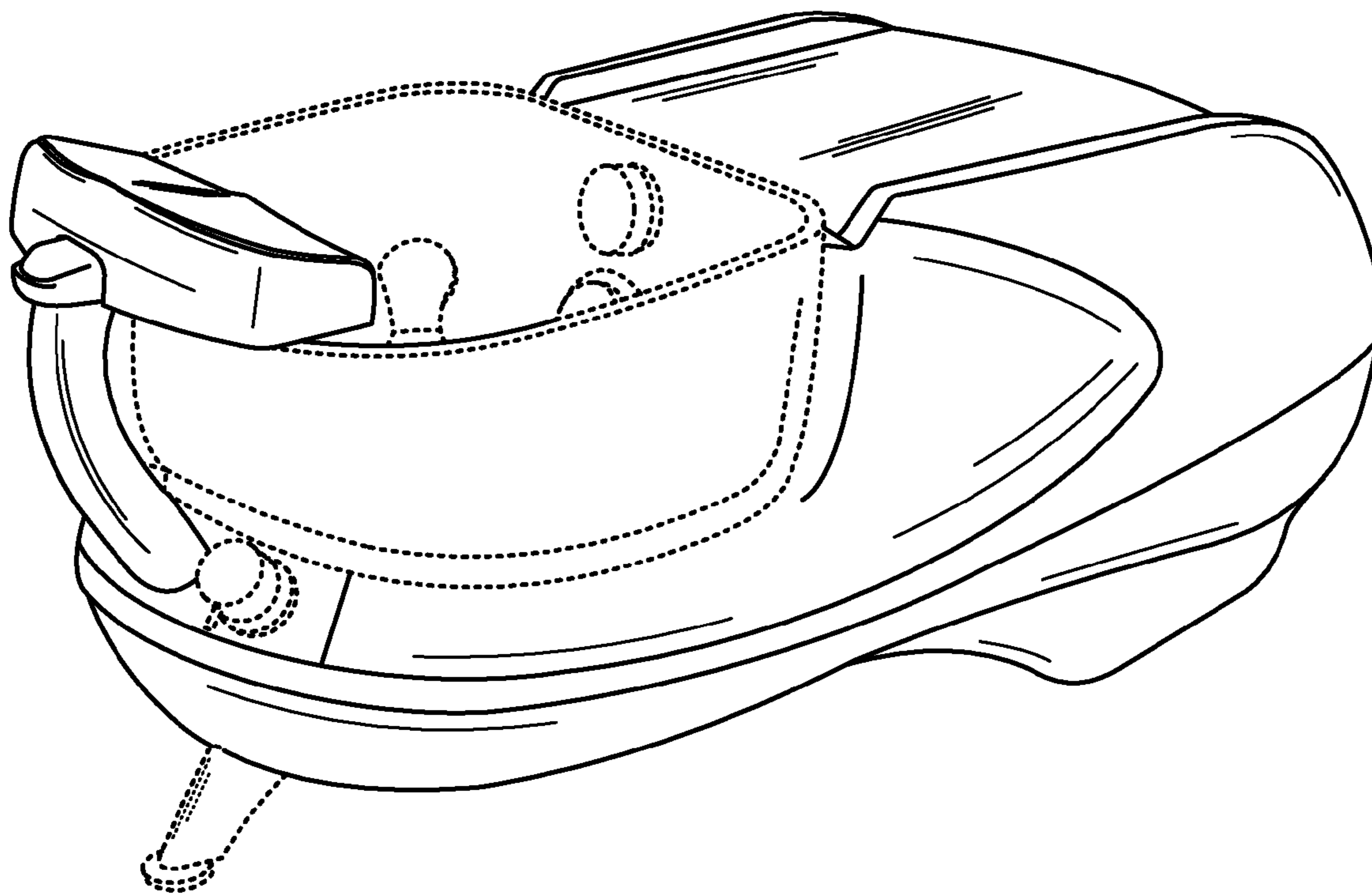
FIG. 4 is a top view of the pedicure spa, such as that shown in FIG. 1;

FIG. 5 is a front view of the pedicure spa, such as that shown in FIG. 1; and,

FIG. 6 is a rear view of the pedicure spa, such as that shown in FIG. 1.

The broken lines shown in the drawings represent unclaimed portions of the design and form no part thereof.

1 Claim, 3 Drawing Sheets



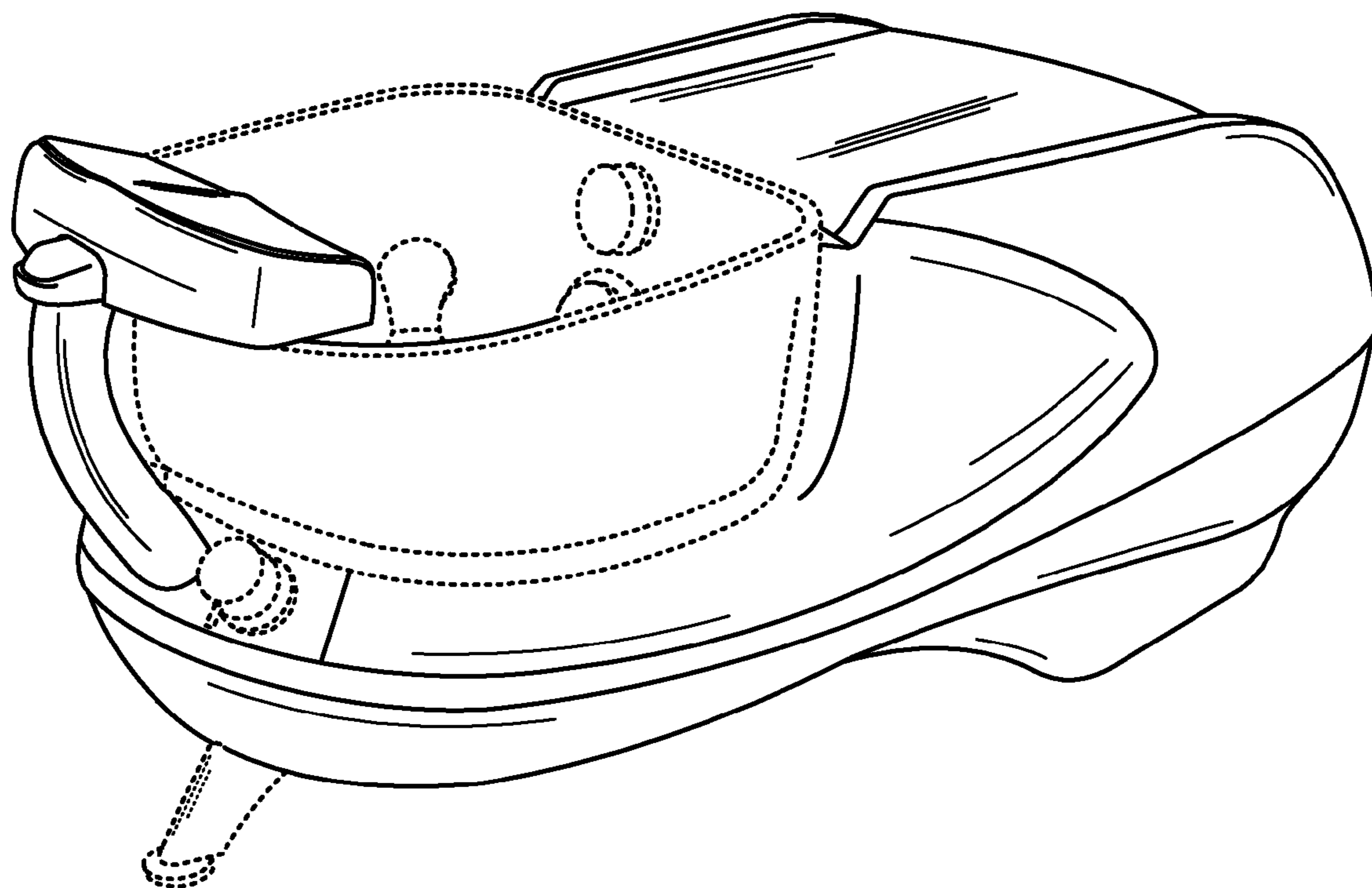


Fig. 1

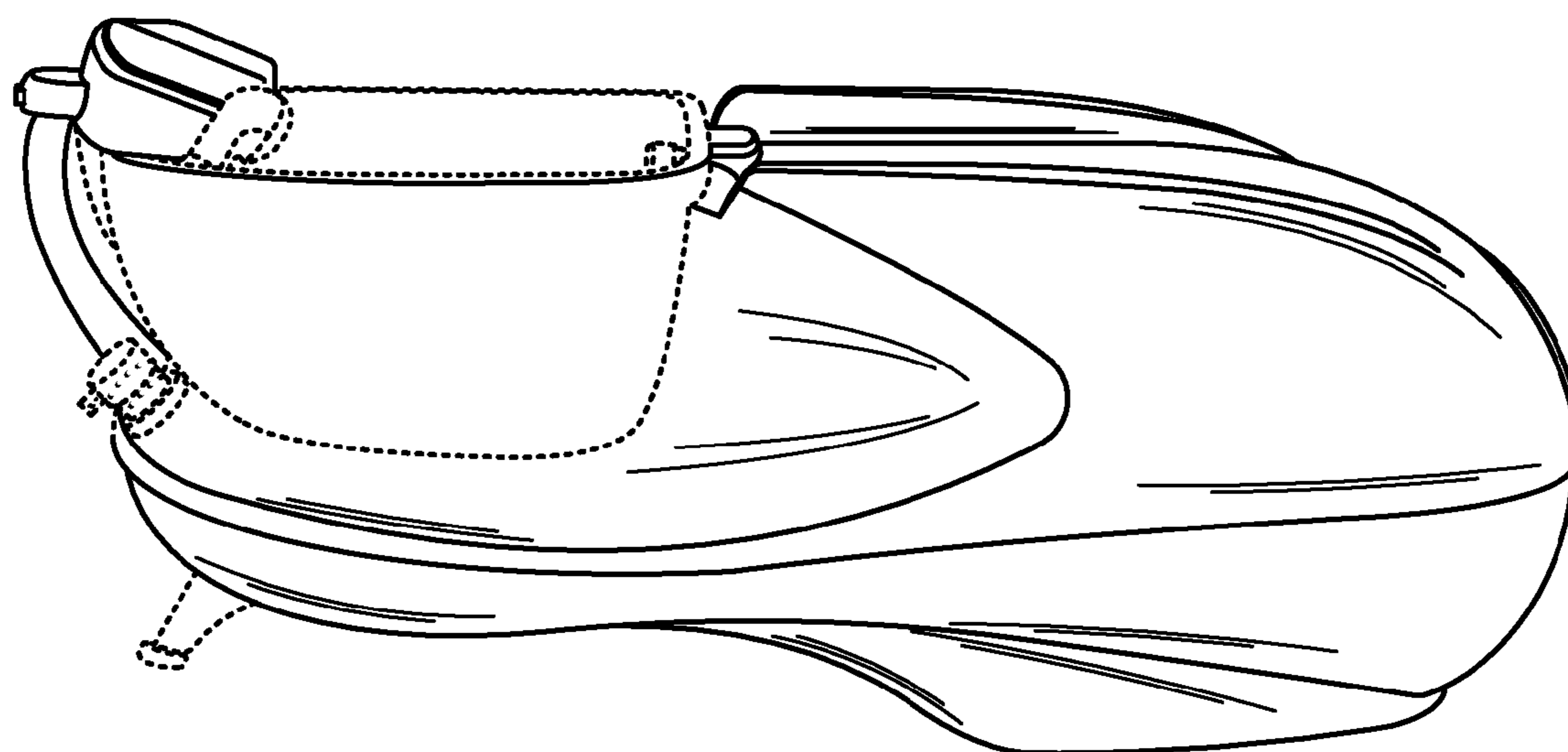


Fig. 2

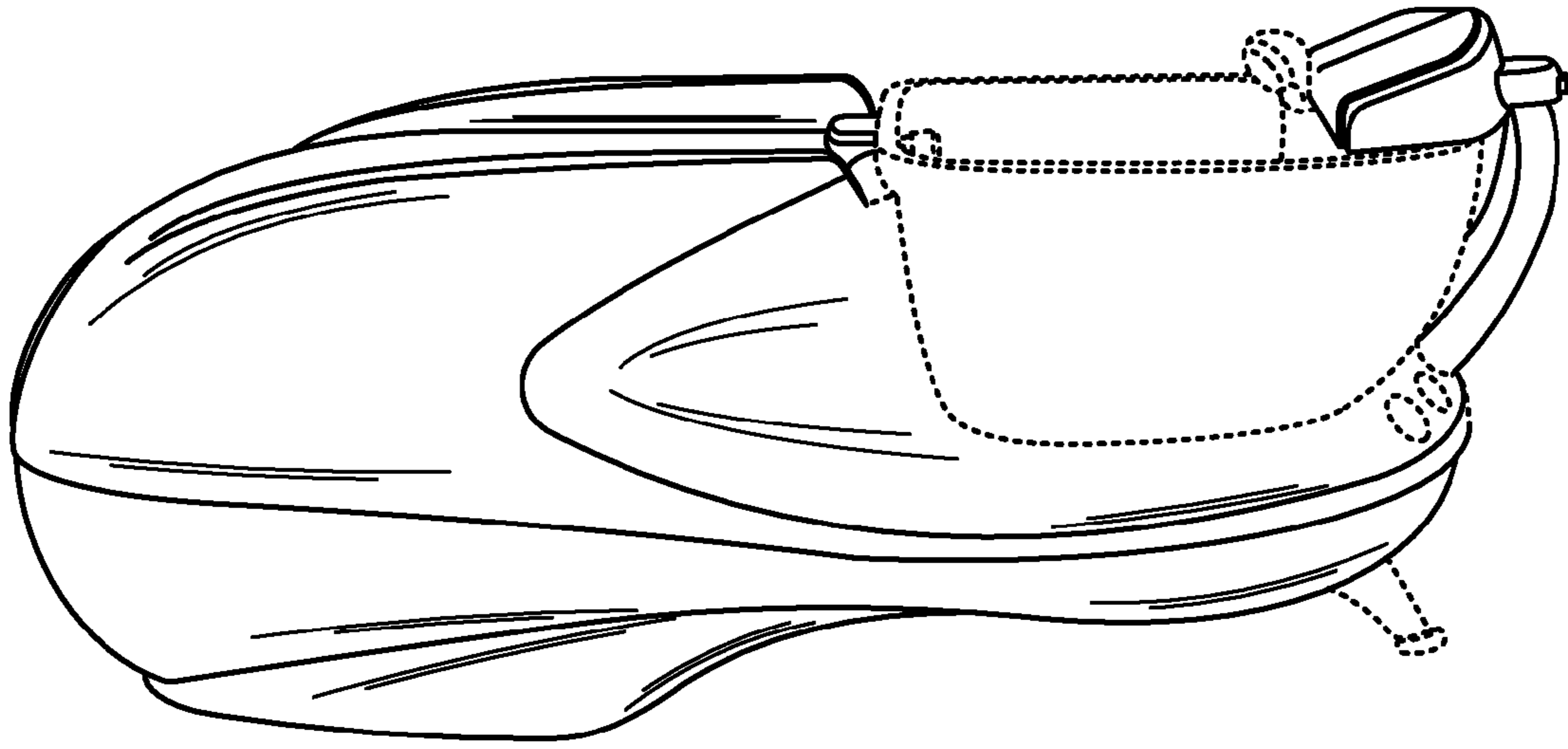


Fig. 3

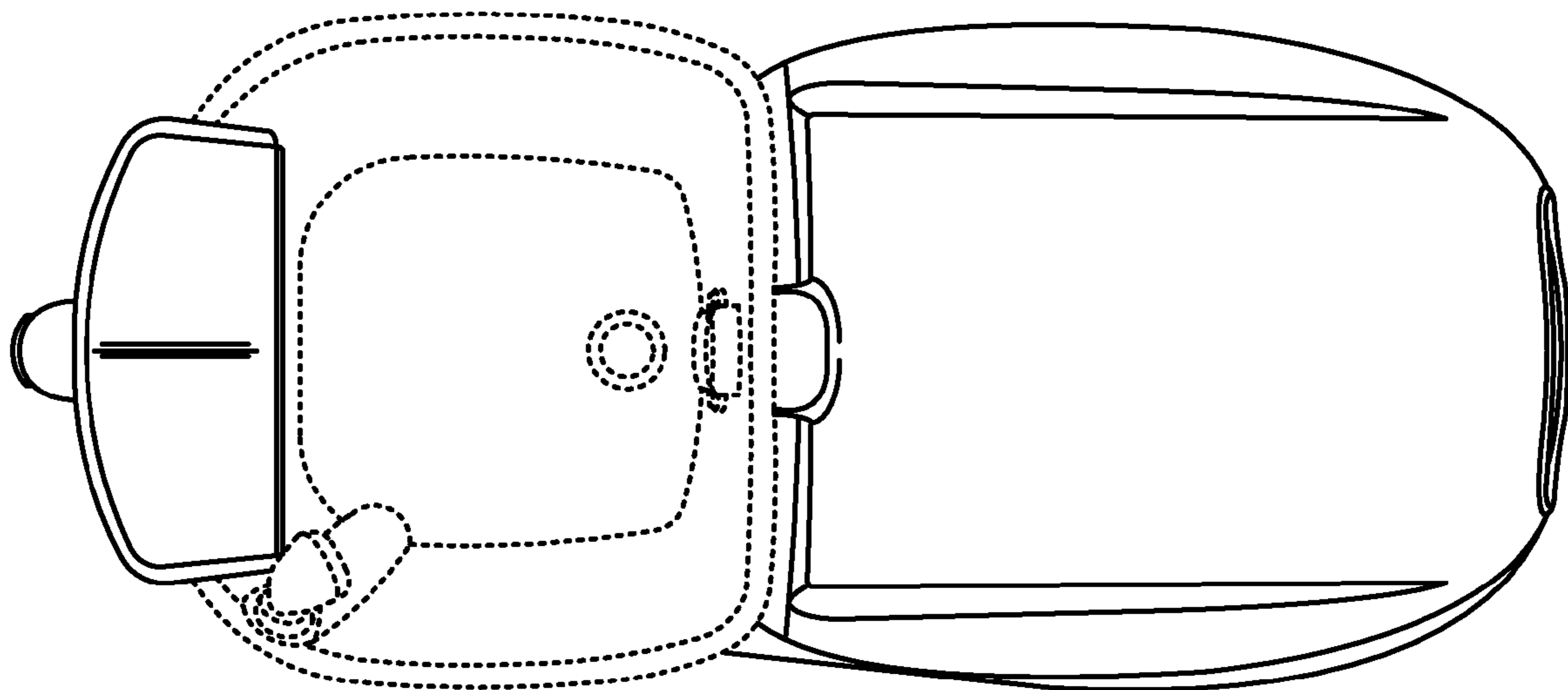


Fig. 4

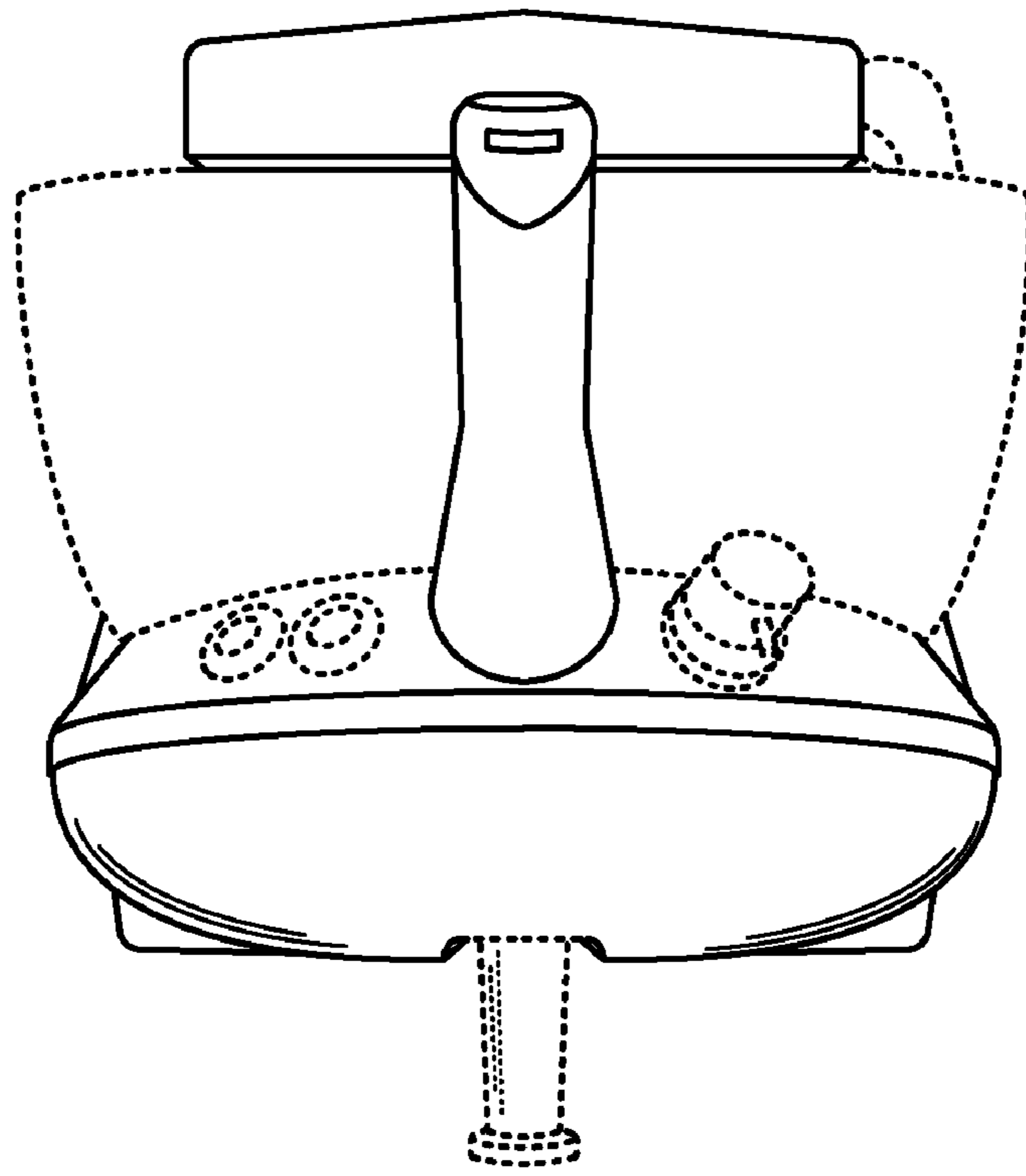


Fig. 5

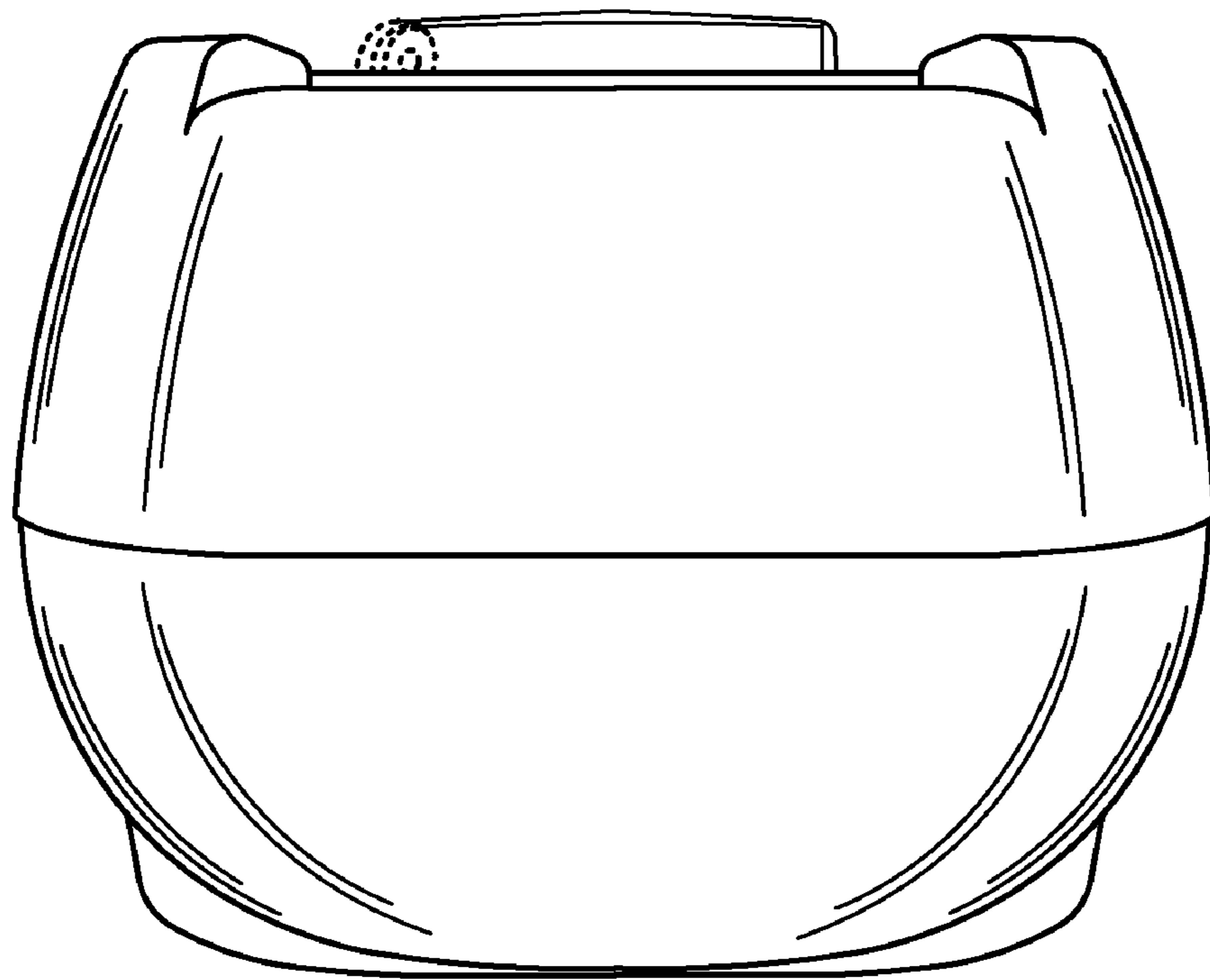


Fig. 6