



US00D621944S

(12) **United States Design Patent**  
**Astin**

(10) **Patent No.:** **US D621,944 S**

(45) **Date of Patent:** **\*\* Aug. 17, 2010**

(54) **PHALLUS RETENTION DEVICE FOR SEATS**

(76) Inventor: **C. Tres Astin**, 375 N. Stephanie St.,  
Suite 1411, Henderson, NV (US) 89014

(\*\*) Term: **14 Years**

(21) Appl. No.: **29/352,837**

(22) Filed: **Dec. 28, 2009**

(51) **LOC (9) Cl.** ..... **24-02**

(52) **U.S. Cl.** ..... **D24/200; D6/601**

(58) **Field of Classification Search** ..... D24/200,  
D24/214, 211, 215; 600/38, 39; 601/46,  
601/101, 87, 84, 80, 70, 67, 78, 85, 56-59,  
601/86, 90; D6/601; D29/100, 101.1-101.5;  
D30/151, 152

See application file for complete search history.

(56) **References Cited**

**U.S. PATENT DOCUMENTS**

496,747 A	5/1893	Polock	
745,264 A	11/1903	Todd	
2,264,934 A	12/1941	Cronk	
4,471,772 A	9/1984	Miller, Jr.	
4,488,541 A	12/1984	Garcia	
4,622,962 A	11/1986	Kauffman	
4,660,551 A	4/1987	Nishimura	
4,724,829 A *	2/1988	Knapps	600/41
5,103,810 A	4/1992	Chang	
5,453,080 A *	9/1995	Mitchum, Jr.	600/38
D401,341 S	11/1998	Poubouridis	
5,893,827 A	4/1999	Jaquez et al.	
5,904,660 A *	5/1999	Kim	601/108
D410,742 S	6/1999	Coolidge	
6,123,664 A	9/2000	Ard	
D440,106 S *	4/2001	Weisz	D6/601

(Continued)

**OTHER PUBLICATIONS**

Outlaw Leather, The Fix, web site address: <http://www.outlawseattle.com/fix.htm>, Outlaw Leather, Seattle, WA, USA.

*Primary Examiner*—Cathron C Brooks

*Assistant Examiner*—Melanie Levy

(74) *Attorney, Agent, or Firm*—O’Connell Law Firm

(57) **CLAIM**

I claim the ornamental design for a phallus retention device for seats, as shown and described.

**DESCRIPTION**

FIG. 1 is a perspective view of the phallus retention device for seats in a flat configuration;

FIG. 2 is a top plan view of the phallus retention device for seats of FIG. 1;

FIG. 3 is a bottom plan view of the phallus retention device for seats of FIG. 1;

FIG. 4 is a view in right side elevation of the phallus retention device for seats of FIG. 1 with the left side being a mirror image thereof;

FIG. 5 is a view in front elevation of the phallus retention device for seats of FIG. 1;

FIG. 6 is a view in rear elevation of the phallus retention device for seats of FIG. 1;

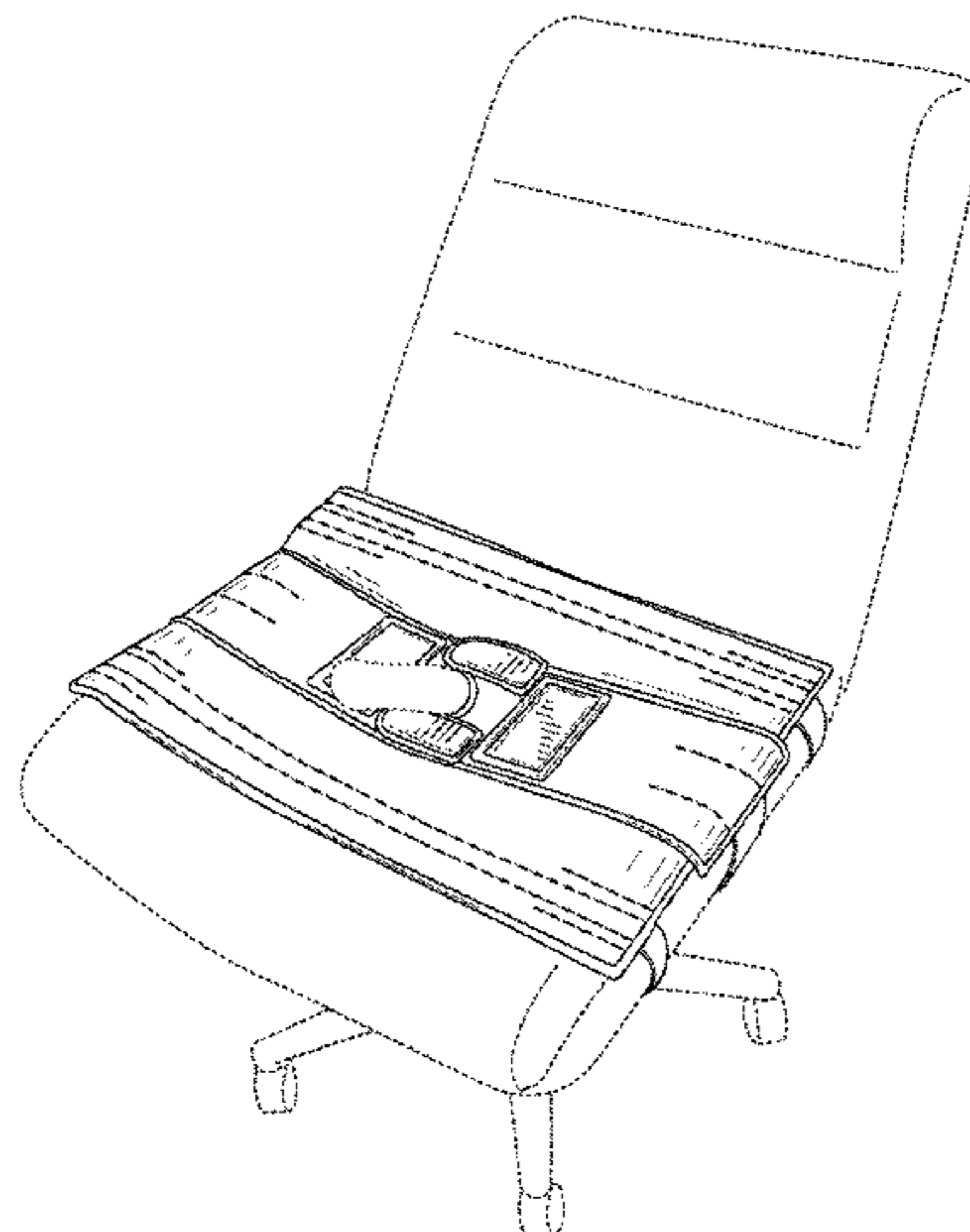
FIG. 7 is a bottom plan view of the phallus retention device for seats of FIG. 1 with the phallus retention panel separated from the base panel; and,

FIG. 8 is a perspective view of the phallus retention device for seats of FIG. 1 retaining a phallus and applied to a seat arrangement.

The broken lines shown in the drawings represent environmental subject matter that forms no part of the claimed design.

The cut lines shown on the strap portions of the design are meant to indicate an unspecified length of the article.

**1 Claim, 6 Drawing Sheets**



# US D621,944 S

Page 2

---

## U.S. PATENT DOCUMENTS

D446,984 S *	8/2001	Treon .....	D6/601	6,698,431 B1 *	3/2004	Harris et al. ....	128/845
D449,953 S *	11/2001	Mixon .....	D6/601	6,849,041 B2	2/2005	Astin	
6,338,344 B1 *	1/2002	Sinohui, Jr. ....	128/845	D512,258 S *	12/2005	Colonello .....	D6/601
D468,573 S *	1/2003	Friend .....	D6/601	D523,679 S *	6/2006	Illingworth .....	D6/601
D471,751 S *	3/2003	Chihlas .....	D6/601	D552,389 S *	10/2007	Papiernik .....	D6/501
6,547,717 B1 *	4/2003	Green et al. ....	600/38	D598,208 S *	8/2009	Albritton .....	D6/366
D481,900 S *	11/2003	Turner .....	D6/601	2008/0119689 A1 *	5/2008	Reid .....	600/38
6,656,139 B2	12/2003	Zwezdaryk		2008/0300452 A1 *	12/2008	Park .....	600/41

\* cited by examiner

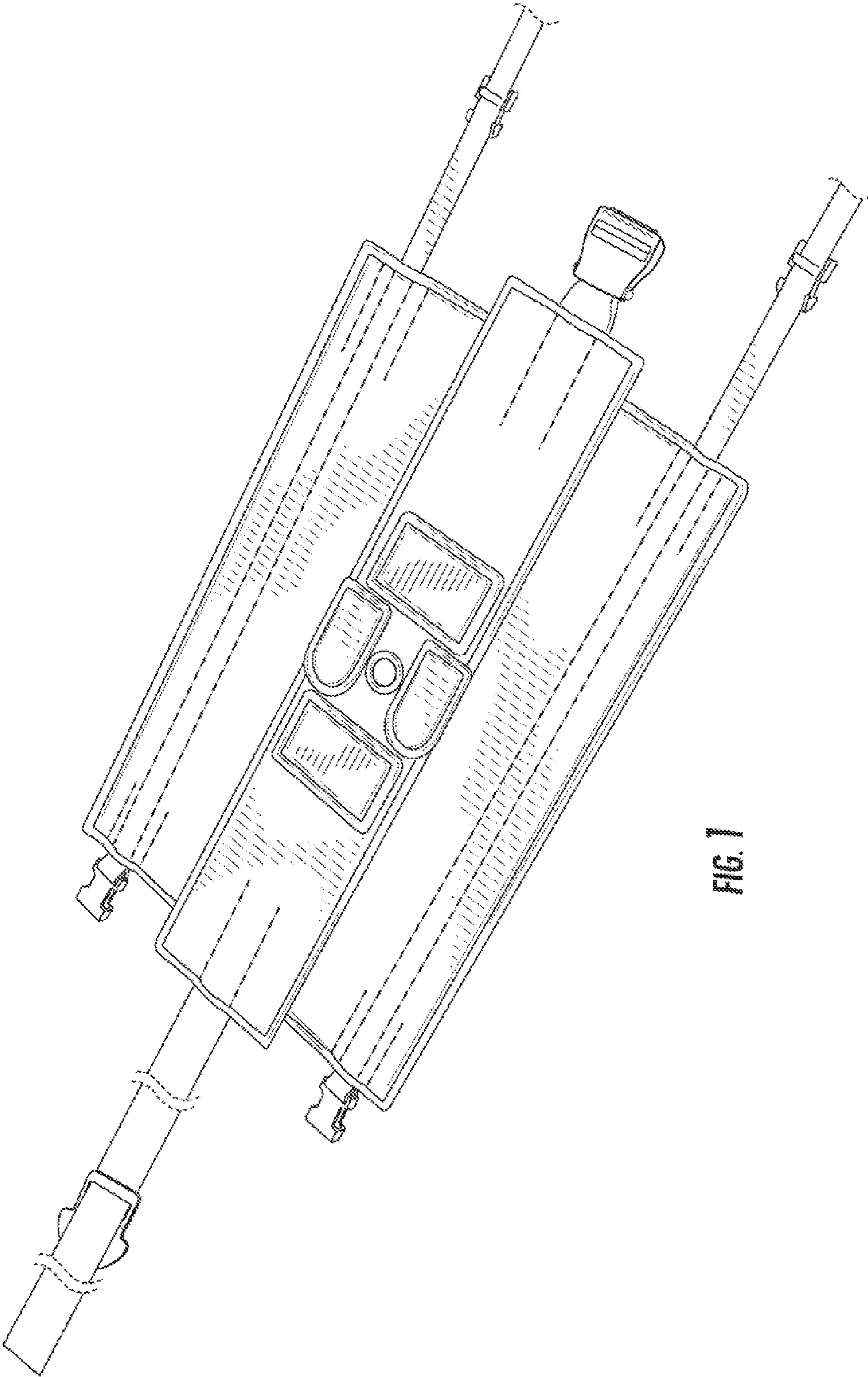


FIG. 1

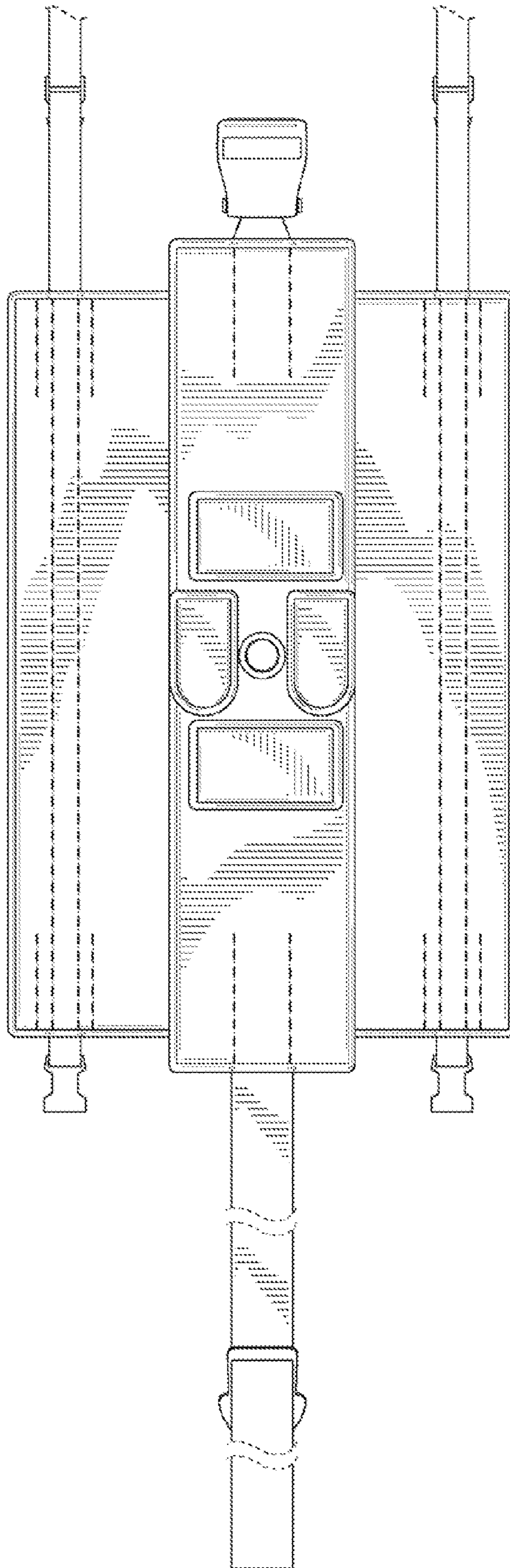


FIG. 2

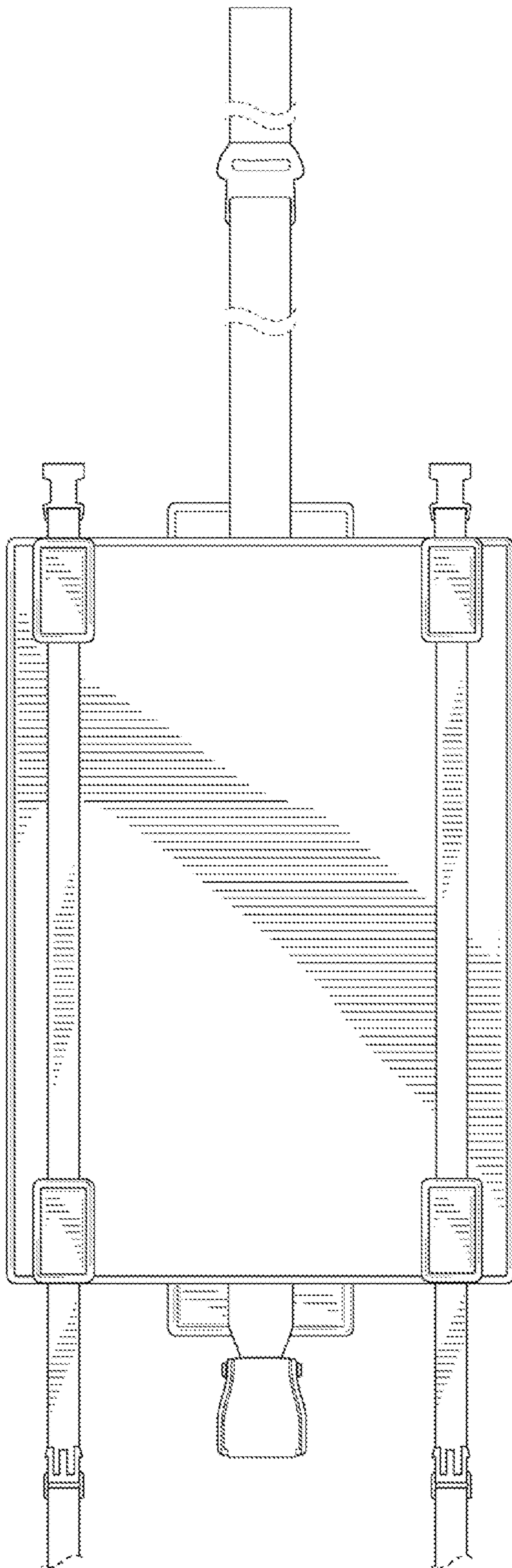


FIG. 3

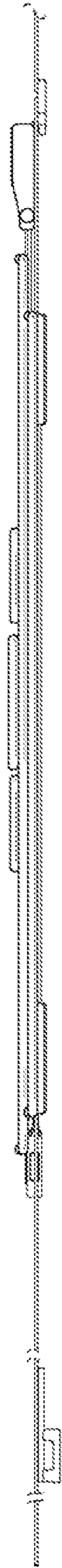


FIG. 4



FIG. 5

FIG. 6

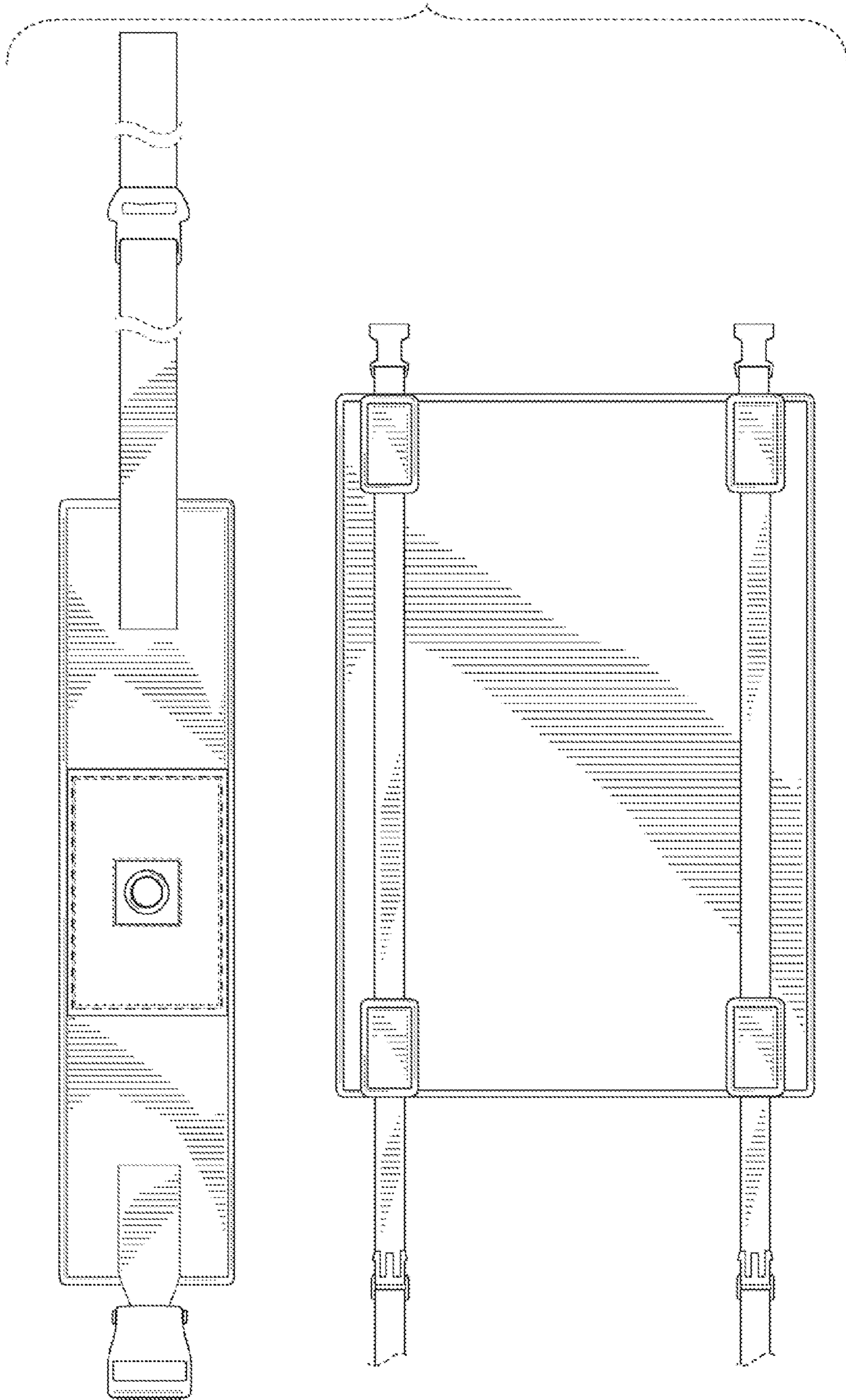


FIG. 7

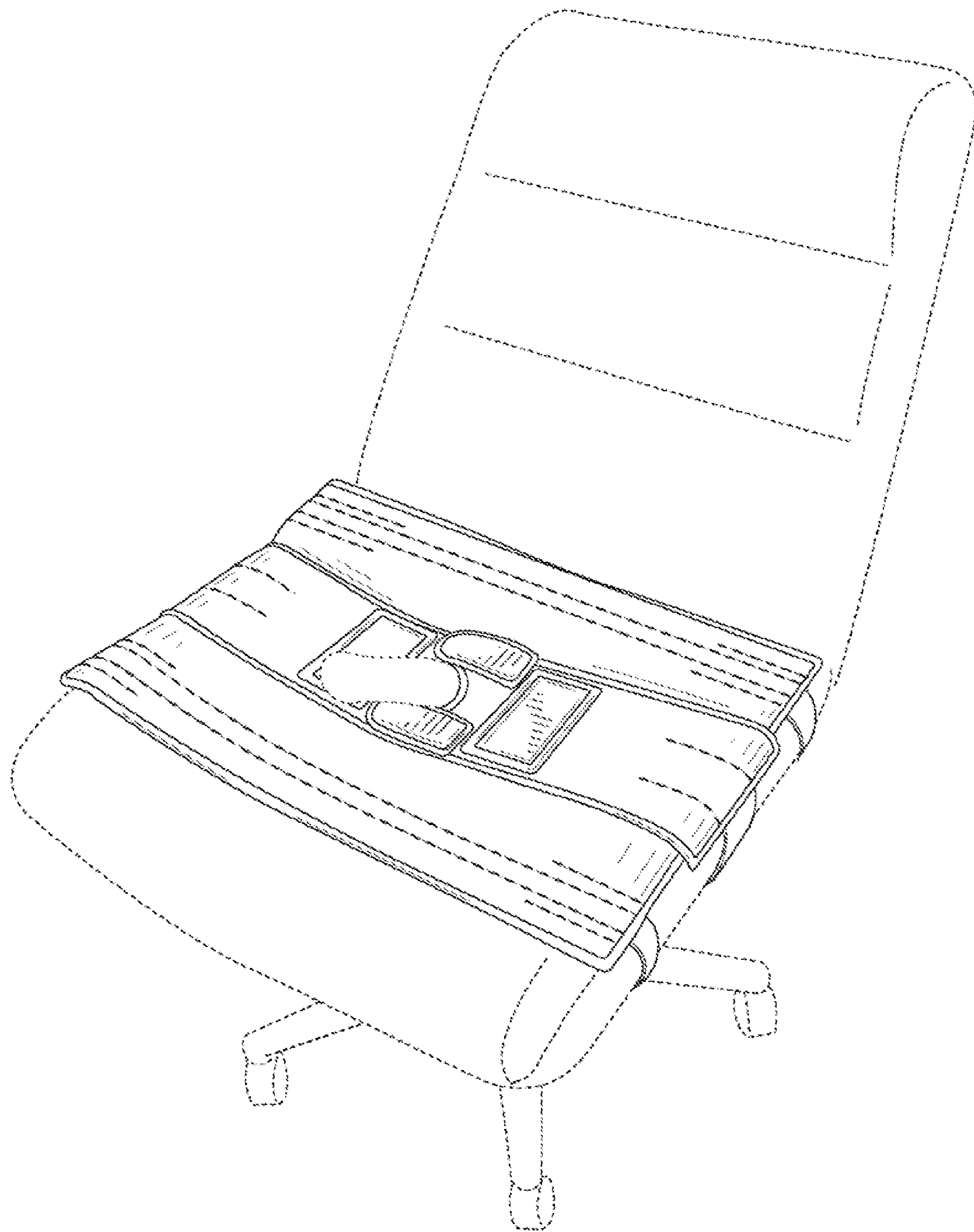


FIG. 8