



US00D621941S

(12) **United States Design Patent**  
**Sommer et al.**

(10) **Patent No.:** **US D621,941 S**

(45) **Date of Patent:** **\*\* Aug. 17, 2010**

(54) **TONOMETER**

D468,430 S \* 1/2003 Hoelbl ..... D24/172  
6,981,946 B2 \* 1/2006 Davidson ..... 600/398

(75) Inventors: **Lisa Sommer**, Rombach (CH); **Martin Iseli**, Bern (CH)

\* cited by examiner

(73) Assignee: **Haag-Streit AG**, Koeniz (CH)

*Primary Examiner*—T. Chase Nelson

*Assistant Examiner*—Anhdao Doan

(\*\*) Term: **14 Years**

(74) *Attorney, Agent, or Firm*—Birch, Stewart, Kolasch & Birch, LLP

(21) Appl. No.: **29/300,745**

(57) **CLAIM**

(22) Filed: **May 2, 2008**

The ornamental design for a tonometer, as shown and described.

(30) **Foreign Application Priority Data**

**DESCRIPTION**

Nov. 8, 2007 (CH) ..... 134567

(51) **LOC (9) Cl.** ..... **24-01**

(52) **U.S. Cl.** ..... **D24/172**

(58) **Field of Classification Search** ..... D24/172,  
D24/186; 351/209–212, 206; 600/398–400,  
600/402; D10/46

See application file for complete search history.

FIG. 1 is a front right perspective view of a tonometer showing our new design;

FIG. 2 is a rear left perspective view thereof;

FIG. 3 is a right rear perspective view thereof;

FIG. 4 is a left side view thereof;

FIG. 5 is a right side view thereof;

FIG. 6 is a rear view thereof;

FIG. 7 is a top view thereof;

FIG. 8 is a front view thereof; and,

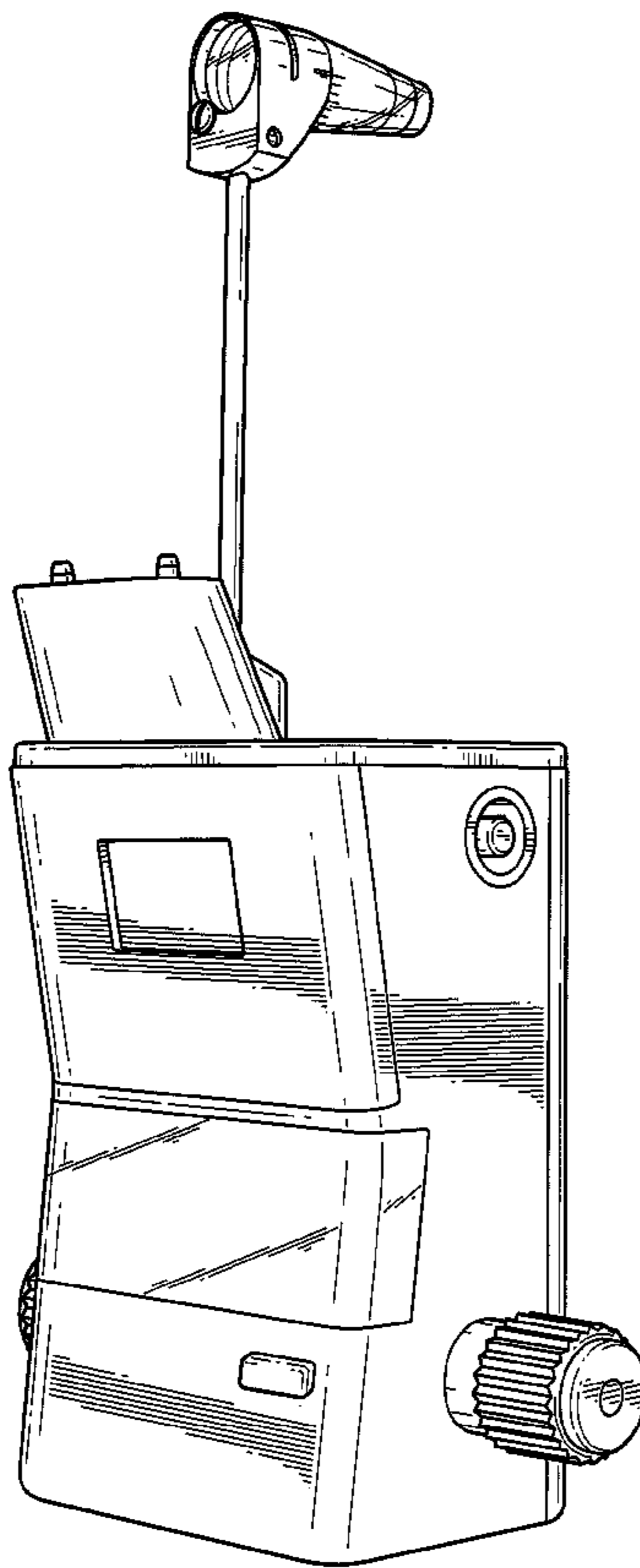
FIG. 9 is a front left perspective view thereof.

(56) **References Cited**

**U.S. PATENT DOCUMENTS**

D245,917 S \* 9/1977 Armbruster ..... D24/172  
4,187,005 A \* 2/1980 Rosenberger ..... 351/245  
D348,224 S \* 6/1994 Hayashi ..... D10/46  
D390,663 S \* 2/1998 Wolf et al. .... D24/172  
D427,313 S \* 6/2000 Cox ..... D24/172

**1 Claim, 9 Drawing Sheets**



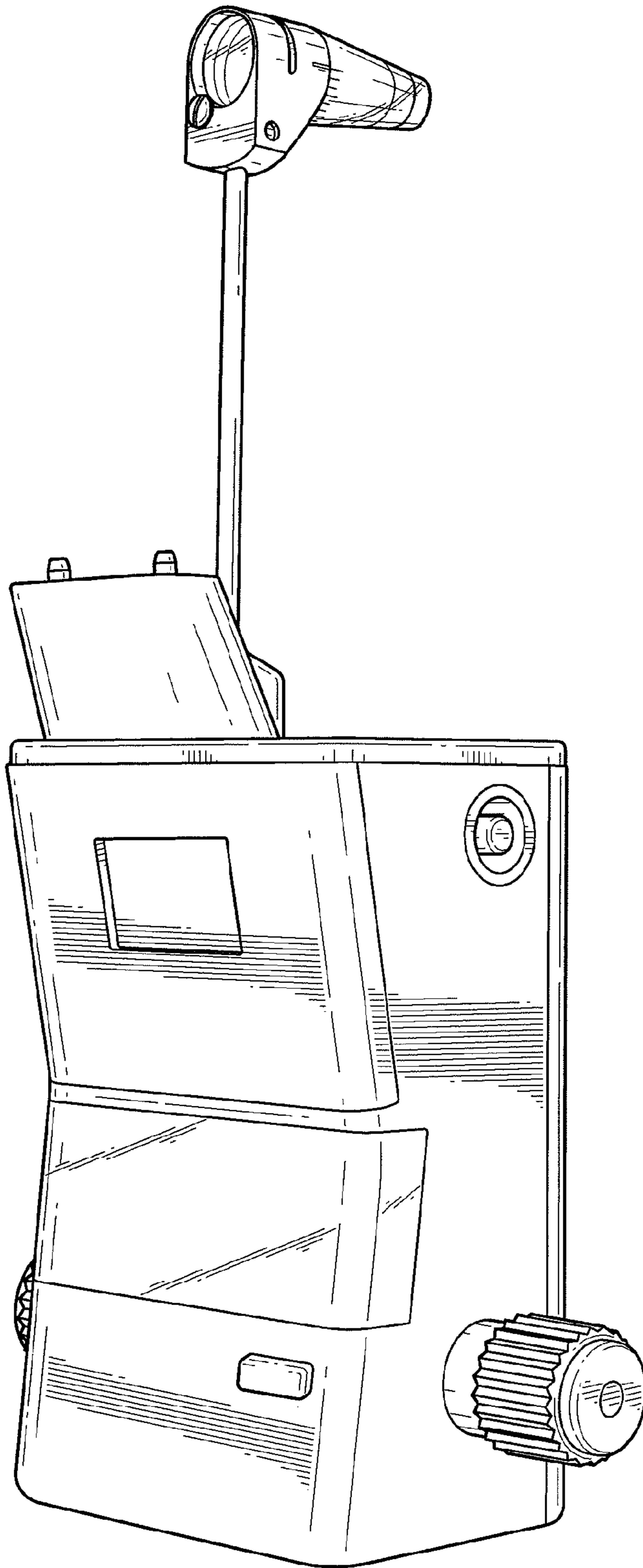


FIG.1

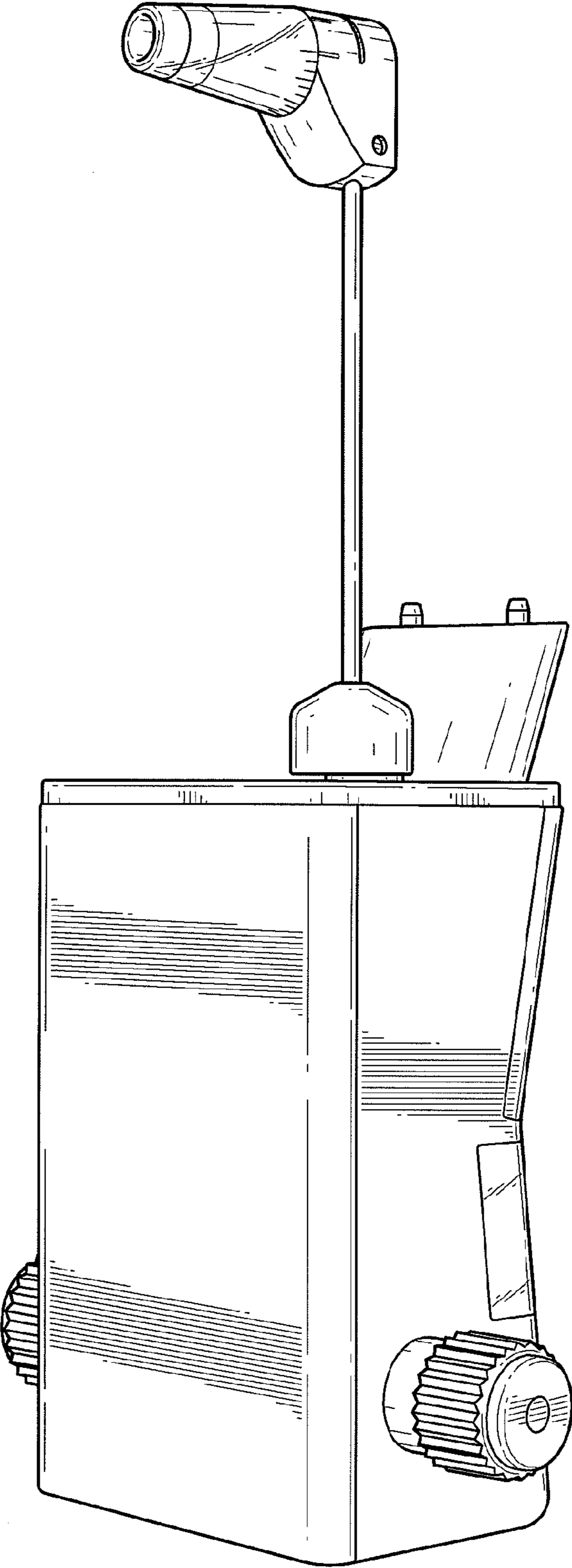


FIG.2

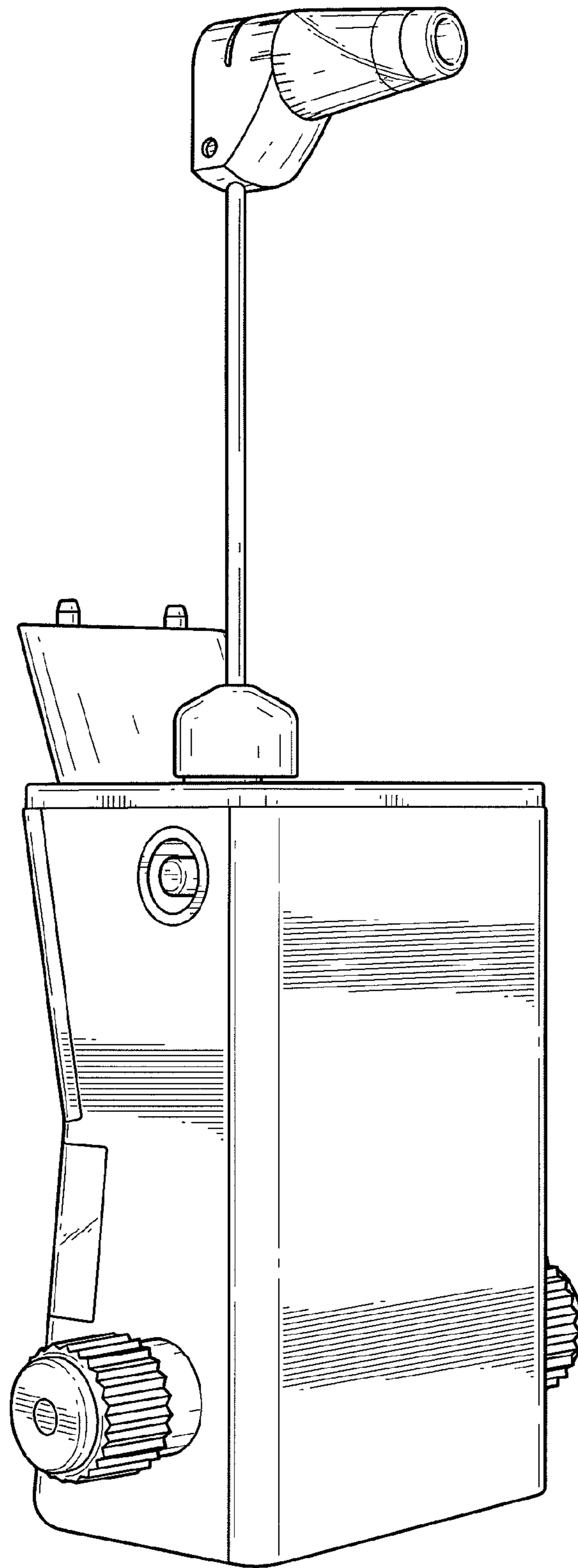


FIG.3

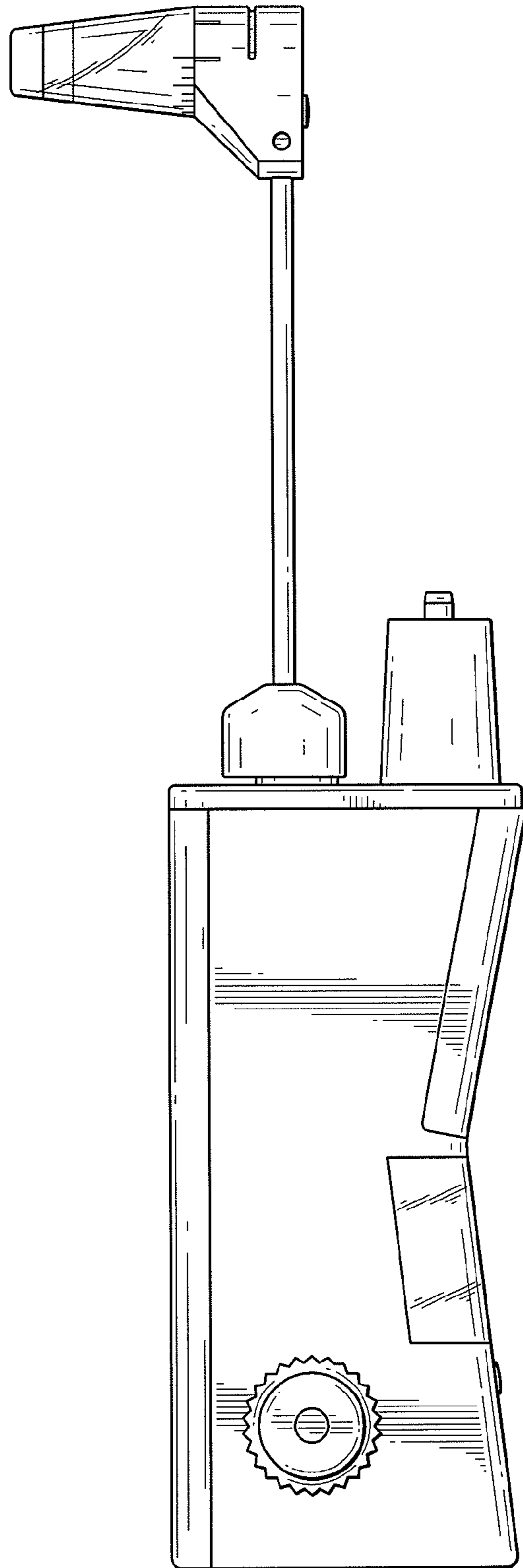


FIG.4

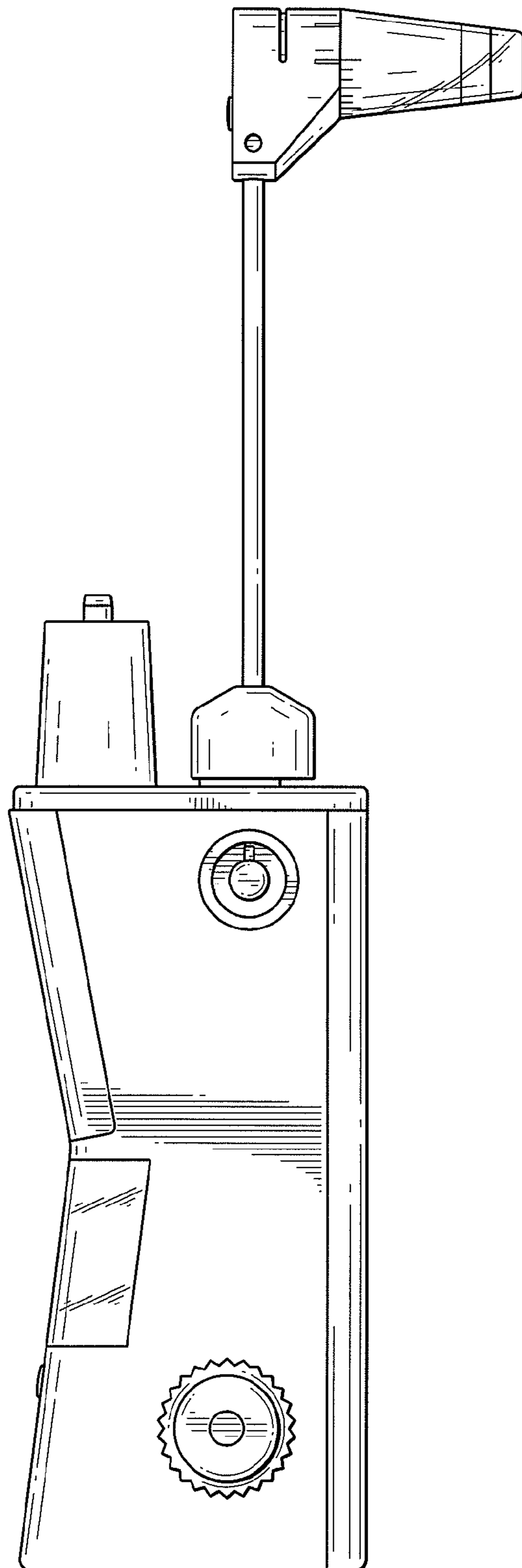


FIG.5

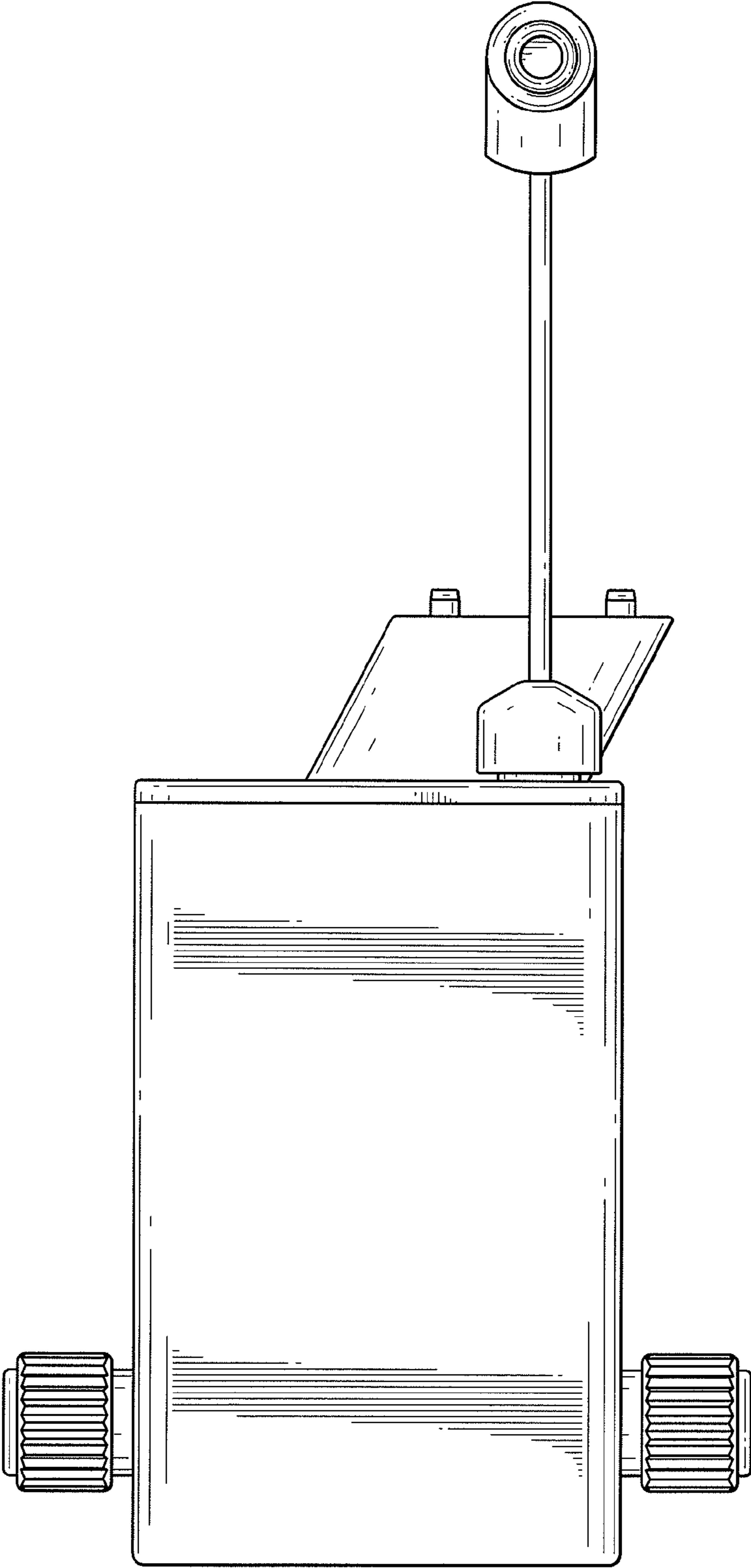


FIG. 6

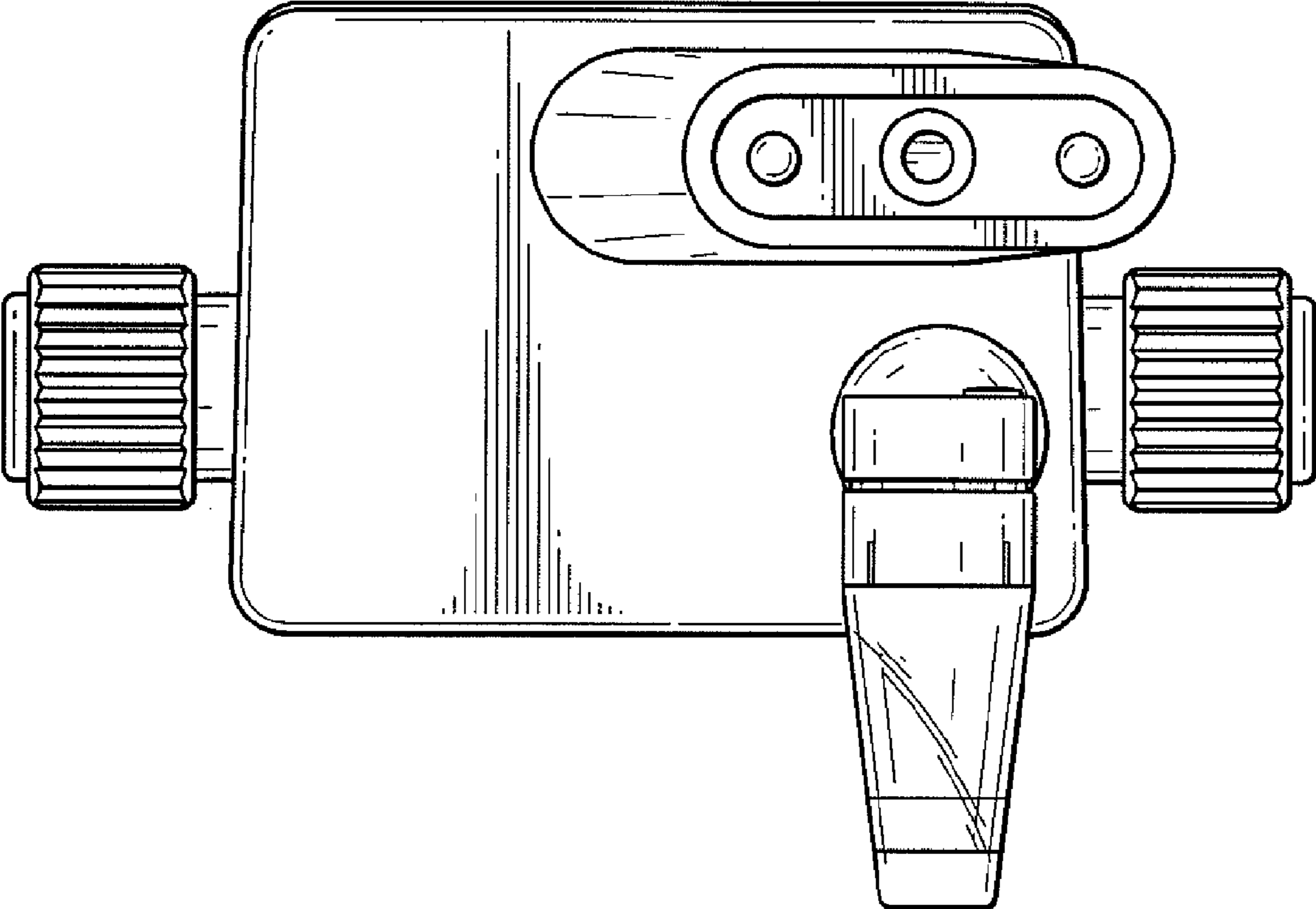


FIG. 7



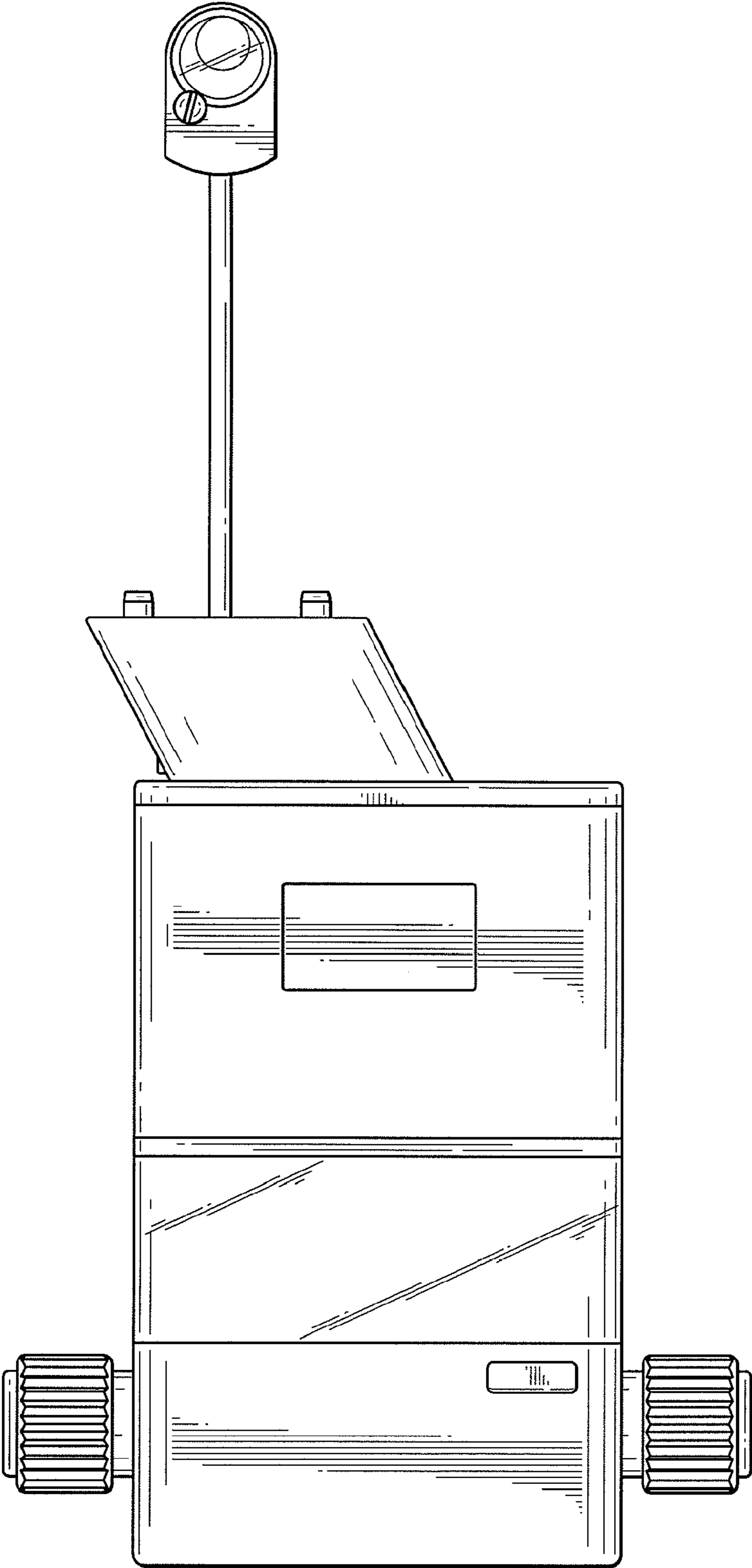


FIG. 8

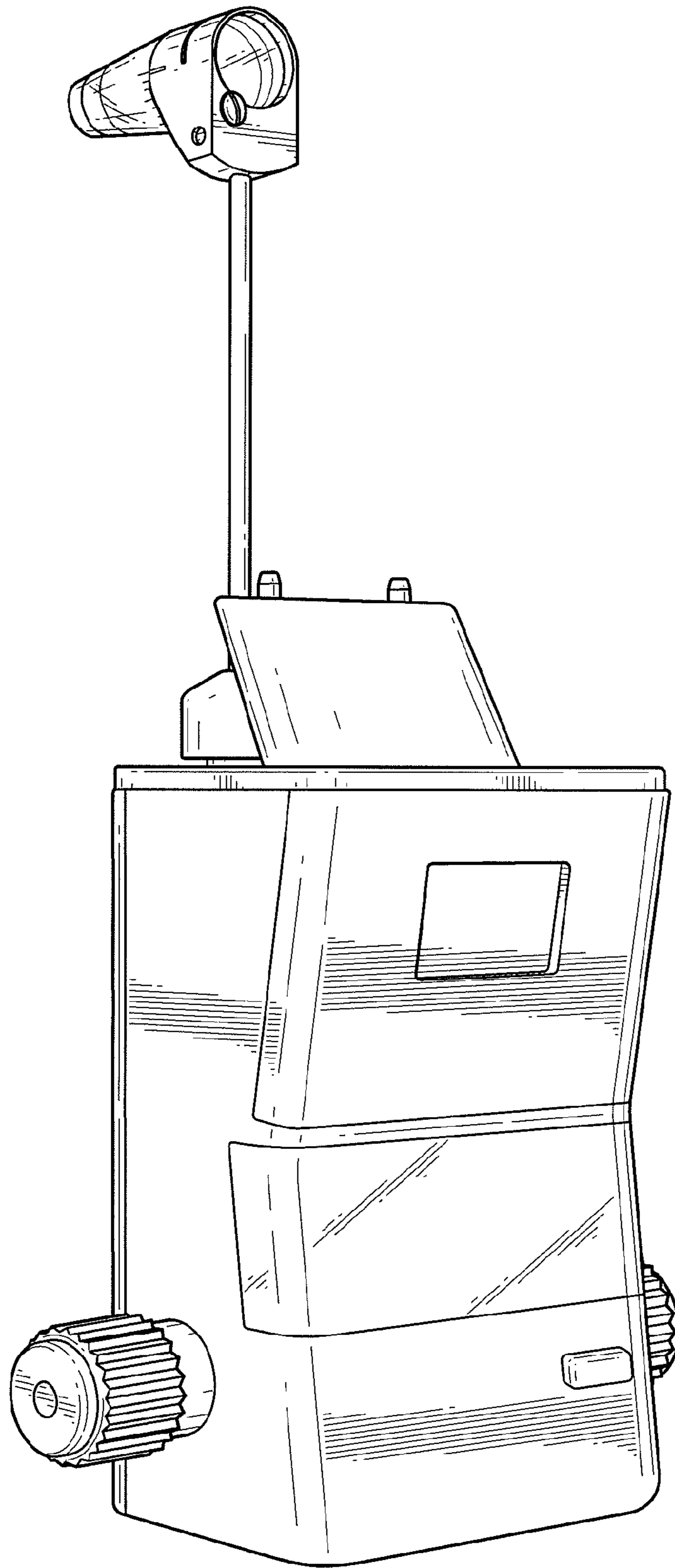


FIG. 9