



US00D621939S

(12) **United States Design Patent**
Way et al.

(10) **Patent No.:** **US D621,939 S**
(45) **Date of Patent:** **** *Aug. 17, 2010**

- (54) **TISSUE MODIFICATION DEVICE**
- (75) Inventors: **Bryce Way**, San Jose, CA (US); **Alberto Cantu**, San Francisco, CA (US); **Minh Tran**, Fountain Valley, CA (US)
- (73) Assignee: **Vertos Medical, Inc.**, Aliso Viejo, CA (US)
- (*) Notice: This patent is subject to a terminal disclaimer.
- (**) Term: **14 Years**
- (21) Appl. No.: **29/326,734**
- (22) Filed: **Oct. 23, 2008**
- (51) **LOC (9) Cl.** **24-02**
- (52) **U.S. Cl.** **D24/147; D24/133; D24/146**
- (58) **Field of Classification Search** **D24/133, D24/143-147, 170; 600/131, 210, 562, 564, 600/566-567, 65; 606/42, 45-52, 108, 167, 606/170, 205-207, 184-185, 172, 171, 48, 606/83; 604/22, 64, 164.01, 165.01, 164.1, 604/264**

See application file for complete search history.

(56) **References Cited**

U.S. PATENT DOCUMENTS

1,493,240	A	5/1924	Bohn
3,628,524	A	12/1971	Jamshidi
3,732,858	A	5/1973	Banko
3,893,445	A	7/1975	Hofsess
3,929,123	A	12/1975	Jamshidi
3,945,372	A	3/1976	Milan et al.
4,103,690	A	8/1978	Harris
4,201,213	A	5/1980	Townsend
4,283,129	A	8/1981	Bennick, Jr.
4,535,773	A	8/1985	Yoon
4,603,694	A	8/1986	Wheeler
4,682,606	A	7/1987	DeCaprio
4,708,147	A	11/1987	Haaga
4,733,663	A	3/1988	Farley
4,777,948	A	10/1988	Wright

4,801,293	A	1/1989	Jackson
4,811,734	A	3/1989	McGurk-Burleson et al.
4,834,729	A	5/1989	Sjostrom

(Continued)

FOREIGN PATENT DOCUMENTS

WO WO 1997/34536 A2 9/1997

(Continued)

OTHER PUBLICATIONS

Brunette, et al. Comparative rheology of low- and iso-osmolarity contrast agents at different temperatures. *Catheter Cardiovasc Interv.* Jan. 1, 2008;71(1):78-83.

(Continued)

Primary Examiner—Ian Simmons
Assistant Examiner—Wan Laymon

(74) *Attorney, Agent, or Firm*—Finnegan, Henderson, Farabow, Garrett & Dunner, L.L.P.

(57) **CLAIM**

We claim the ornamental design for a tissue modification device, as shown and described.

DESCRIPTION

FIG. 1 is a perspective view of the tissue excision device of the present invention showing the new design;

FIG. 2 is a top plan view thereof;

FIG. 3 is a front elevational view thereof;

FIG. 4 is a right side elevational view thereof;

FIG. 5 is a left side elevational view thereof;

FIG. 6 is a rear elevational view thereof;

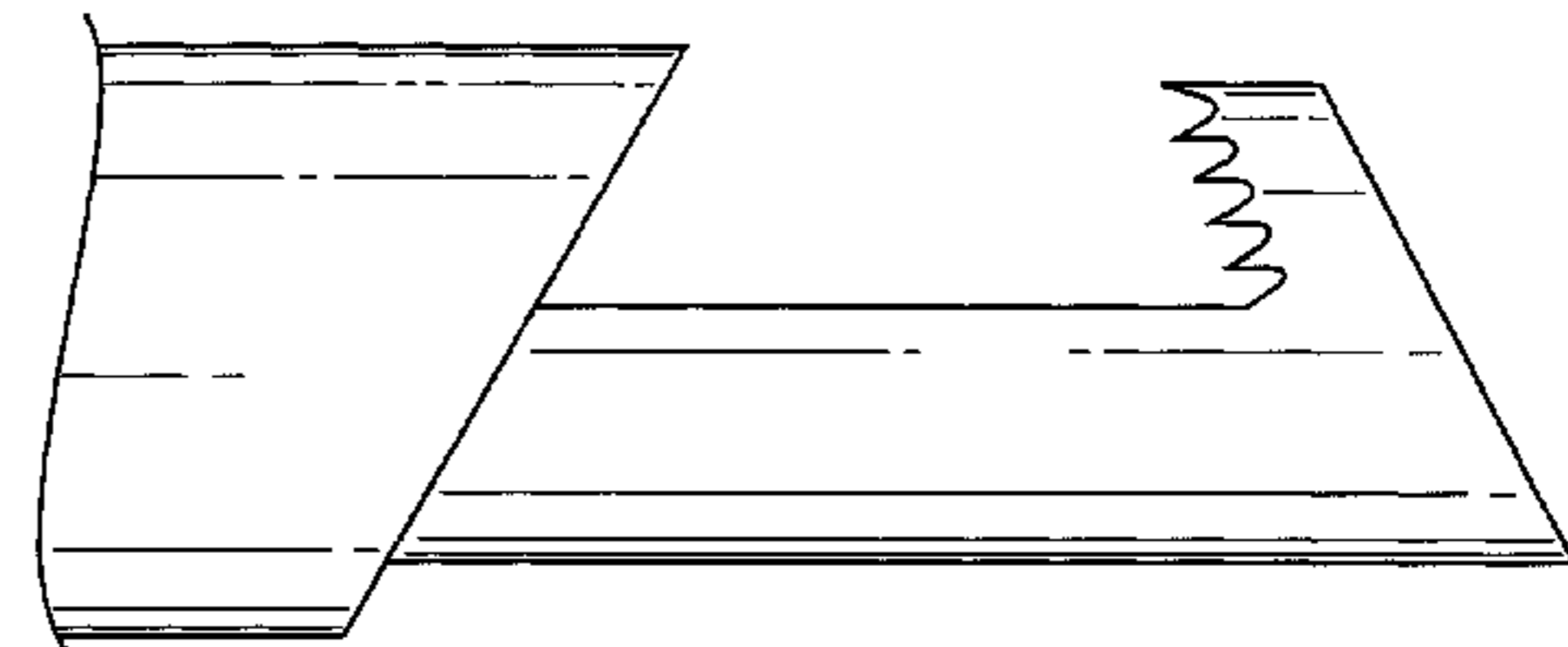
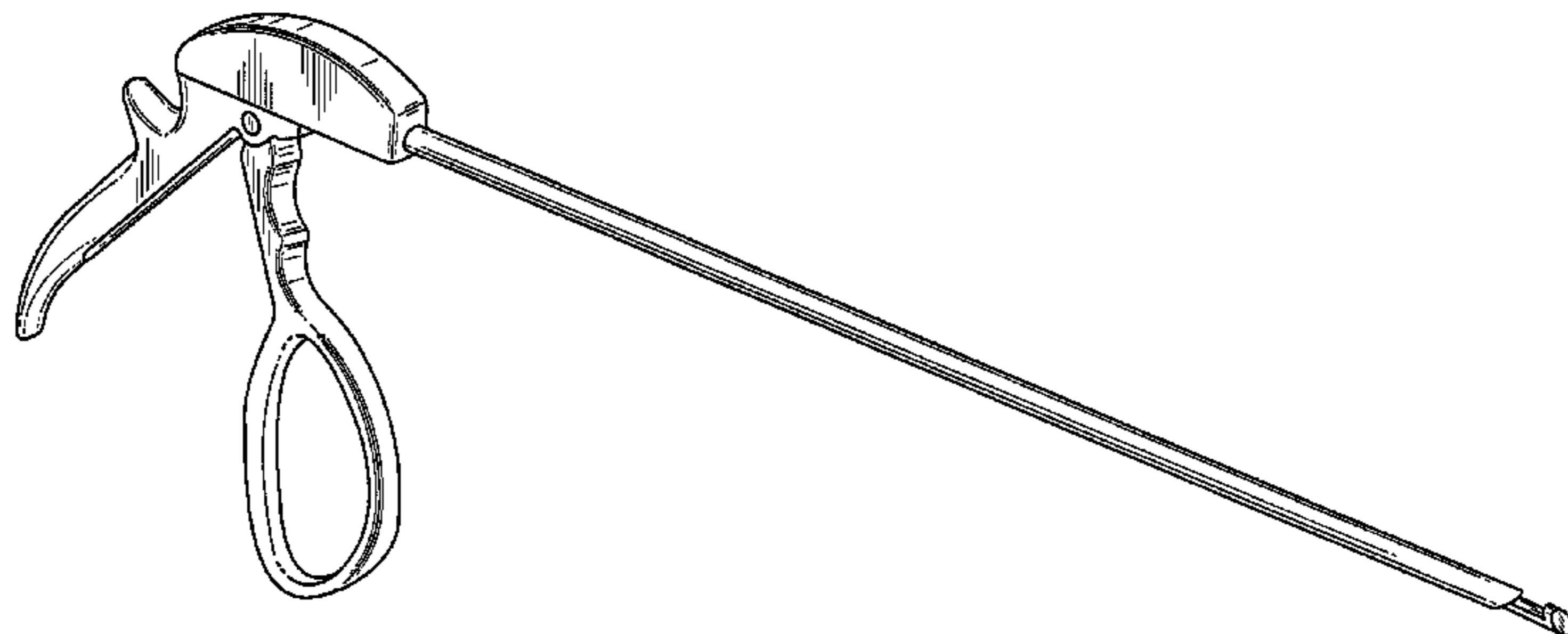
FIG. 7 is a bottom plan view thereof;

FIG. 8 is a bottom perspective view thereof;

FIG. 9 is an enlarged rear perspective view thereof; and,

FIG. 10 is an enlarged fragmentary view of the distal tip thereof.

1 Claim, 8 Drawing Sheets



US D621,939 S

Page 2

U.S. PATENT DOCUMENTS						
			5,980,525	A	11/1999	Bryant et al.
			5,985,320	A	11/1999	Edwards et al.
4,844,064	A	7/1989	Thimsen et al.			
4,850,354	A	7/1989	McGurk-Burleson et al.			
4,867,157	A	9/1989	McGurk-Burleson et al.			
4,931,059	A	6/1990	Markham			
4,991,600	A	2/1991	Taylor			
4,994,072	A	2/1991	Bhate et al.			
5,026,375	A	6/1991	Linovitz et al.			
5,026,386	A	6/1991	Michelson et al.			
5,040,542	A	8/1991	Gray			
5,061,269	A *	10/1991	Muller 606/83			
5,108,403	A	4/1992	Stern			
5,127,916	A	7/1992	Spencer et al.			
5,172,702	A	12/1992	Leigh et al.			
5,180,393	A	1/1993	Commarmond			
5,190,759	A	3/1993	Lindblad et al.			
5,215,105	A	6/1993	Kizelshteyn et al.			
5,226,910	A	7/1993	Kajiyama et al.			
5,269,785	A	12/1993	Bonutti			
5,273,519	A *	12/1993	Koros et al. 606/83			
5,290,303	A	3/1994	Pingleton et al.			
5,300,045	A	4/1994	Plassche			
5,327,896	A *	7/1994	Schmieding 600/566			
5,354,266	A	10/1994	Snoke			
5,366,477	A	11/1994	LeMarie et al.			
5,373,854	A	12/1994	Kolozsi			
5,385,570	A	1/1995	Chin et al.			
D358,645	S *	5/1995	Ryan et al. D24/147			
5,429,138	A	7/1995	Jamshidi			
5,439,464	A	8/1995	Shapiro			
5,451,227	A	9/1995	Michaelson			
5,458,112	A	10/1995	Weaver			
5,462,062	A	10/1995	Rubinstein			
5,496,269	A	3/1996	Snoke			
5,514,379	A	5/1996	Weissleder et al.			
5,531,749	A	7/1996	Michelson			
5,540,693	A	7/1996	Fisher			
5,562,102	A	10/1996	Taylor			
5,569,258	A	10/1996	Gambale			
5,569,284	A	10/1996	Young et al.			
5,575,794	A *	11/1996	Walus et al. 606/116			
5,582,618	A	12/1996	Chin et al.			
5,595,186	A	1/1997	Rubinstein et al.			
5,613,972	A	3/1997	Lee et al.			
5,638,827	A	6/1997	Palmer et al.			
5,645,075	A	7/1997	Palmer et al.			
5,681,337	A	10/1997	Bray, Jr.			
5,705,485	A	1/1998	Cini et al.			
5,709,697	A	1/1998	Ratcliff et al.			
5,718,237	A	2/1998	Haaga			
5,730,754	A	3/1998	Obenchain			
5,759,185	A	6/1998	Grinberg et al.			
5,762,639	A *	6/1998	Gibbs 604/272			
5,772,597	A	6/1998	Goldberger et al.			
5,775,333	A	7/1998	Burbank et al.			
5,782,849	A	7/1998	Miller			
5,827,289	A	10/1998	Reiley et al.			
5,827,305	A	10/1998	Gordon			
5,836,948	A	11/1998	Zucherman et al.			
5,840,338	A	11/1998	Roos et al.			
5,853,366	A	12/1998	Dowlatshahi			
5,857,996	A	1/1999	Snoke			
5,860,991	A	1/1999	Klein et al.			
5,868,745	A	2/1999	Alleyne			
5,873,886	A	2/1999	Larsen et al.			
5,879,353	A	3/1999	Terry			
5,879,365	A	3/1999	Whitfield et al.			
5,916,858	A	6/1999	Kim et al.			
5,925,050	A	7/1999	Howard, III			
5,925,056	A	7/1999	Thomas et al.			
5,931,855	A	8/1999	Buncke			
5,964,782	A	10/1999	Lafontaine			
			6,010,493	A	1/2000	Snoke
			6,019,765	A	2/2000	Thornhill et al.
			6,022,362	A	2/2000	Lee et al.
			6,083,237	A	7/2000	Huitema et al.
			6,096,053	A	8/2000	Bates
			6,142,997	A	11/2000	Michelson
			6,221,006	B1	4/2001	Dubrul et al.
			6,241,747	B1	6/2001	Ruff
			6,258,093	B1	7/2001	Edwards et al.
			6,261,294	B1	7/2001	Stihl et al.
			6,261,582	B1	7/2001	Needham et al.
			6,264,087	B1	7/2001	Whitman
			6,264,617	B1	7/2001	Bales et al.
			6,268,405	B1	7/2001	Yao et al.
			6,273,862	B1	8/2001	Privitera et al.
			6,287,304	B1	9/2001	Eggers et al.
			6,296,639	B1	10/2001	Truckai et al.
			6,306,156	B1	10/2001	Clark
			6,332,886	B1	12/2001	Green et al.
			6,358,217	B1	3/2002	Bourassa
			6,358,254	B1	3/2002	Anderson
			6,375,659	B1	4/2002	Erbe et al.
			6,419,684	B1	7/2002	Heisler et al.
			6,423,332	B1	7/2002	Huxel et al.
			6,425,859	B1	7/2002	Foley et al.
			6,428,486	B2	8/2002	Ritchart et al.
			6,428,498	B2	8/2002	Uflacker
			6,443,910	B1	9/2002	Krueger et al.
			6,454,767	B2	9/2002	Alleyne
			6,464,682	B1	10/2002	Snoke
			6,470,209	B2	10/2002	Snoke
			6,478,805	B1	11/2002	Marino et al.
			6,488,636	B2	12/2002	Bryan et al.
			6,506,190	B1	1/2003	Walshe
			6,514,256	B2	2/2003	Zucherman et al.
			6,520,907	B1	2/2003	Foley et al.
			6,530,933	B1	3/2003	Yeung et al.
			6,572,563	B2	6/2003	Ouchi
			6,575,919	B1	6/2003	Reiley et al.
			6,575,968	B1	6/2003	Eggers et al.
			6,575,977	B1 *	6/2003	Michelson 606/83
			6,599,310	B2	7/2003	Leung et al.
			6,602,248	B1	8/2003	Sharps et al.
			6,605,294	B2	8/2003	Sawhney et al.
			6,620,185	B1	9/2003	Harvie et al.
			6,626,916	B1	9/2003	Yeung et al.
			6,645,213	B2	11/2003	Sand et al.
			6,652,558	B2	11/2003	Patel et al.
			6,669,729	B2	12/2003	Chin et al.
			6,692,445	B2	2/2004	Roberts et al.
			6,716,216	B1	4/2004	Boucher et al.
			6,746,093	B2	6/2004	Martinez et al.
			6,746,451	B2	6/2004	Middleton et al.
			6,772,012	B2	8/2004	Ricart et al.
			6,783,534	B2	8/2004	Mehdizadeh
			6,818,001	B2	11/2004	Wulfman et al.
			6,852,095	B1	2/2005	Ray
			6,858,229	B1	2/2005	Hubbell et al.
			6,925,323	B2	8/2005	Snoke
			6,991,633	B2 *	1/2006	Agbodoe 606/83
			7,008,433	B2	3/2006	Voellmicke et al.
			7,011,663	B2 *	3/2006	Michelson 606/83
			7,025,771	B2	4/2006	Kuslich et al.
			7,041,050	B1	5/2006	Ronald
			7,066,942	B2	6/2006	Treace
			7,070,596	B1	7/2006	Woloszko et al.
			7,101,382	B2	9/2006	George et al.
			7,137,956	B2	11/2006	Nishtalas et al.
			7,189,206	B2	3/2007	Quick et al.
			7,201,722	B2	4/2007	Krueger
			7,276,032	B2	10/2007	Hibner

US D621,939 S

Page 3

7,297,147	B2 *	11/2007	Michelson	606/83	2006/0178682	A1	8/2006	Boehlke
7,322,978	B2	1/2008	West, Jr.		2006/0184175	A1	8/2006	Schomer et al.
7,329,402	B2	2/2008	Unger et al.		2006/0206115	A1	9/2006	Schomer et al.
7,445,634	B2	11/2008	Trieu		2006/0235334	A1	10/2006	Corvi et al.
D606,654	S *	12/2009	Tran et al.	D24/144	2006/0235451	A1	10/2006	Schomer et al.
D610,259	S *	2/2010	Way et al.	D24/147	2006/0235452	A1	10/2006	Schomer et al.
D611,146	S *	3/2010	Way et al.	D24/147	2006/0264994	A1	11/2006	Schomer et al.
2001/0005778	A1	6/2001	Ouchi		2007/0005084	A1	1/2007	Clague et al.
2003/0009125	A1	1/2003	Nita et al.		2007/0027464	A1	2/2007	Way et al.
2003/0077225	A1	4/2003	Laurent et al.		2007/0055263	A1	3/2007	Way et al.
2003/0165555	A1	9/2003	Ding et al.		2007/0123888	A1	5/2007	Bleich et al.
2003/0220650	A1	11/2003	Major et al.		2007/0162061	A1	7/2007	Way et al.
2004/0049217	A1	3/2004	Ross et al.		2007/0198019	A1	8/2007	Schomer et al.
2004/0059370	A1	3/2004	Greene et al.		2007/0225703	A1	9/2007	Schmitz et al.
2004/0138701	A1	7/2004	Haluck		2007/0276390	A1	11/2007	Solsberg et al.
2004/0210231	A1	10/2004	Boucher et al.		2008/0161809	A1 *	7/2008	Schmitz et al. 606/79
2005/0037079	A1	2/2005	Son et al.		2008/0200941	A1 *	8/2008	Mitusina 606/171
2005/0038432	A1	2/2005	Shaolian et al.		2008/0221383	A1	9/2008	Way et al.
2005/0075630	A1	4/2005	Truckai et al.		2009/0118709	A1 *	5/2009	Sand et al. 604/540
2005/0080441	A1	4/2005	Dodge et al.					
2005/0137602	A1	6/2005	Assell et al.					
2005/0209610	A1	9/2005	Carrison					
2005/0228403	A1	10/2005	Ho et al.					
2005/0267503	A1 *	12/2005	Hunstad	606/170				
2006/0030785	A1	2/2006	Field et al.					
2006/0036211	A1	2/2006	Solsberg et al.					
2006/0036271	A1	2/2006	Schomer et al.					
2006/0036272	A1	2/2006	Solsberg et al.					
2006/0089609	A1	4/2006	Bleich et al.					
2006/0089633	A1	4/2006	Bleich et al.					
2006/0089640	A1	4/2006	Bleich et al.					
2006/0094976	A1	5/2006	Bleich et al.					
2006/0095028	A1	5/2006	Bleich et al.					
2006/0095059	A1	5/2006	Bleich et al.					
2006/0100651	A1	5/2006	Bleich					
2006/0122458	A1	6/2006	Bleich					
2006/0122535	A1	6/2006	Daum					
2006/0135882	A1	6/2006	Bleich					

FOREIGN PATENT DOCUMENTS

WO	WO 1997/34536	A3	11/1997
WO	WO 2000/45868	A1	8/2000
WO	WO 2001/08571	A1	2/2001
WO	WO 2002/076311	A2	10/2002
WO	WO 2002/076311	A3	2/2004

OTHER PUBLICATIONS

International Search Report and Written Opinion for Appl. No. PCT/US06/04342 dated Sep. 18, 2007.
 International Search Report and Written Opinion for Appl. No. PCT/US2006/030299 dated Aug. 2007.
 International Search Report for International Application No. PCT/US05/27216 dated Nov. 29, 2005.

* cited by examiner

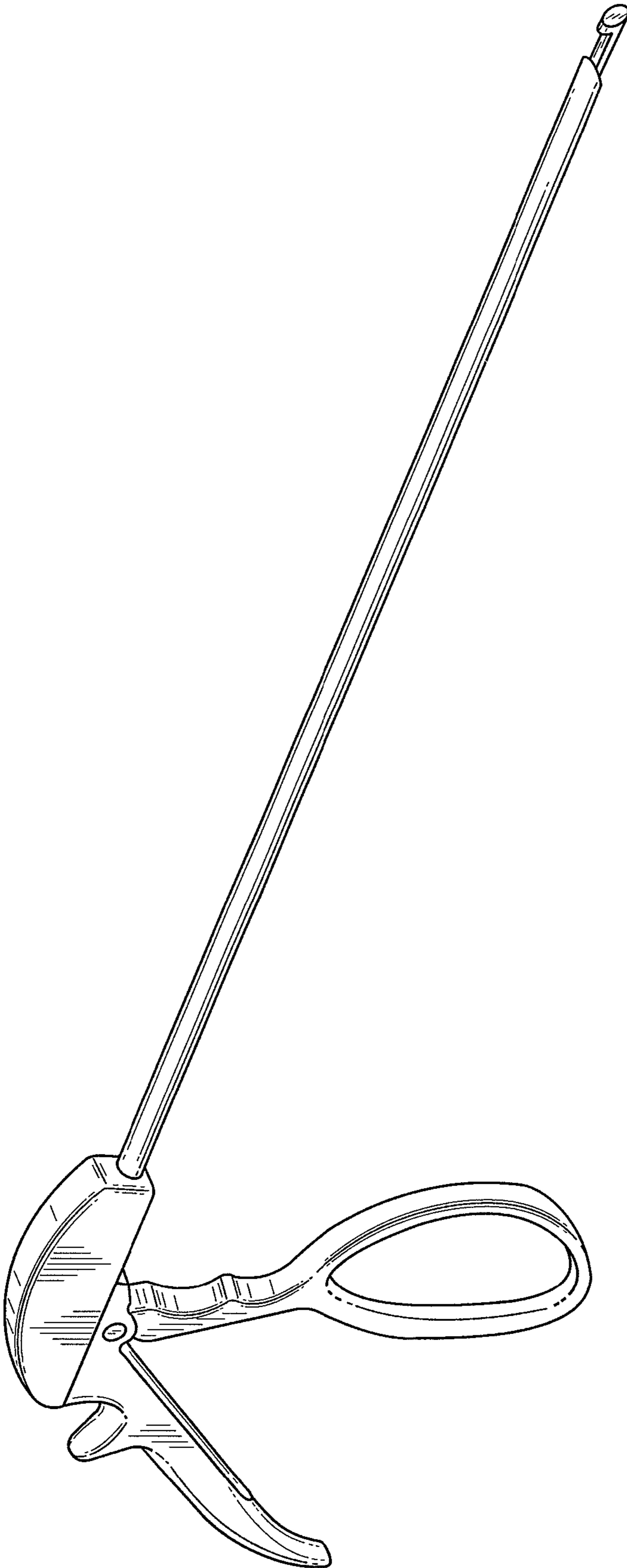


FIG. 1

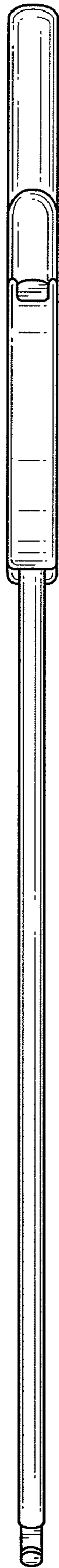


FIG. 2



FIG. 3

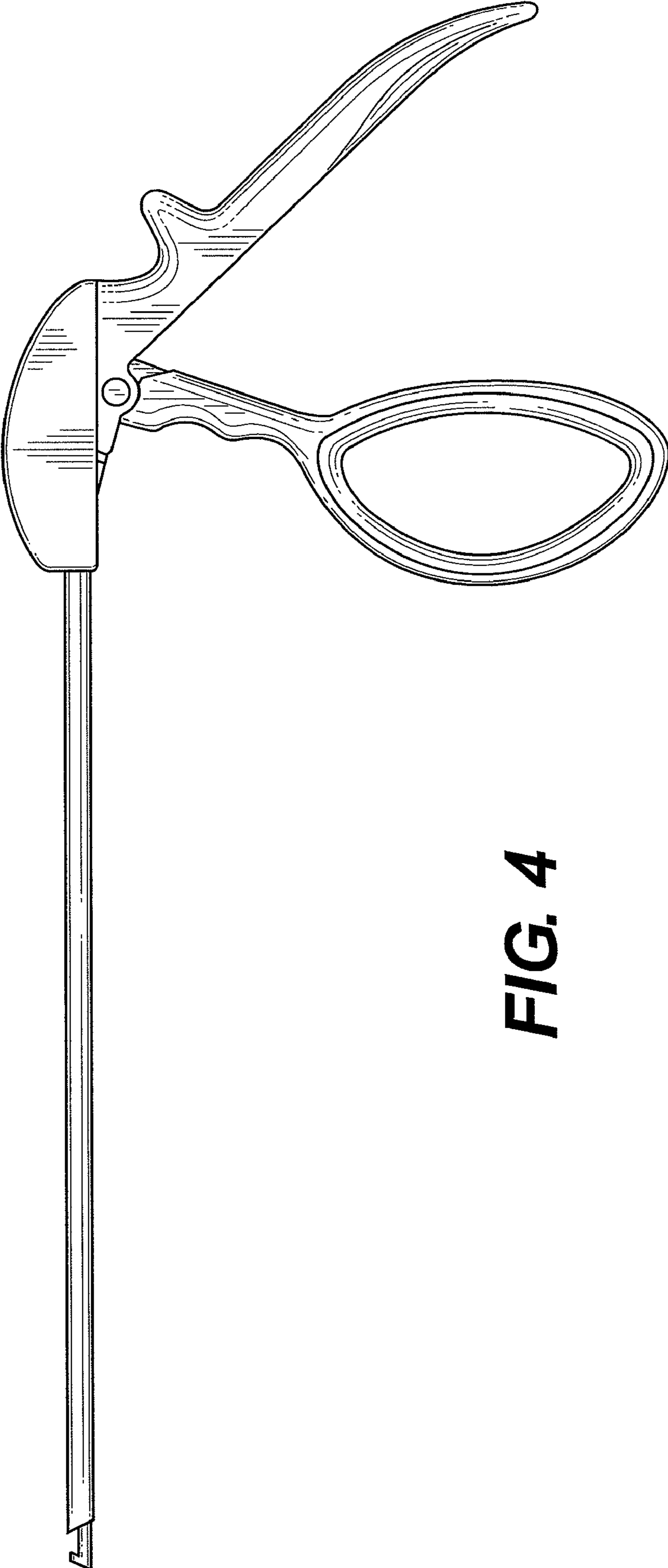


FIG. 4

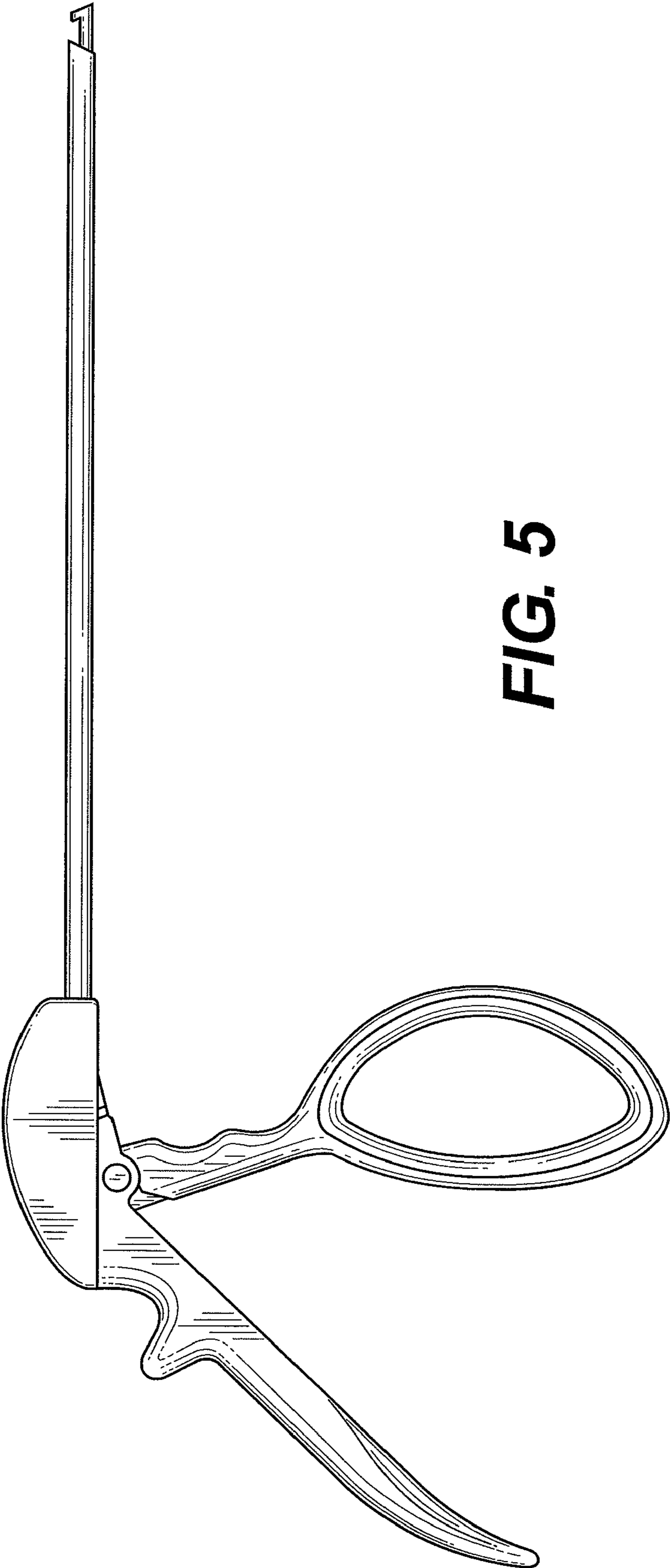
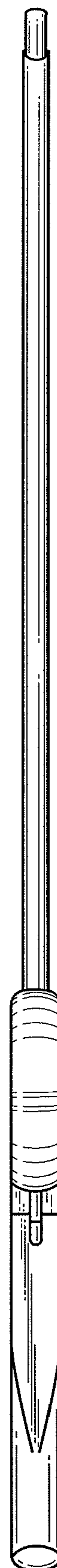


FIG. 5

FIG. 6



FIG. 7



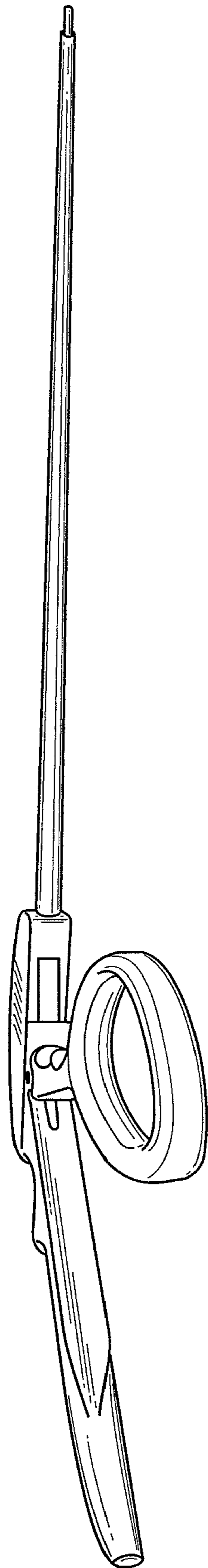


FIG. 8

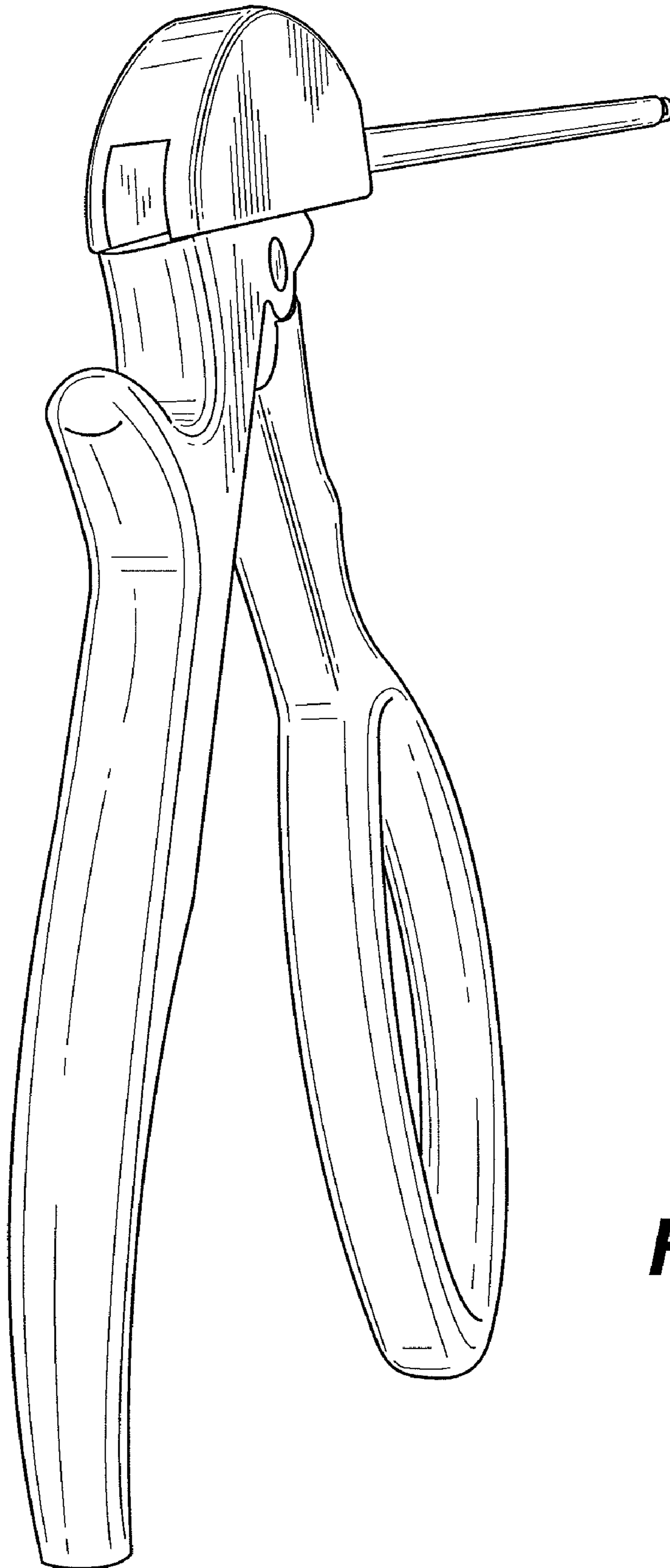


FIG. 9

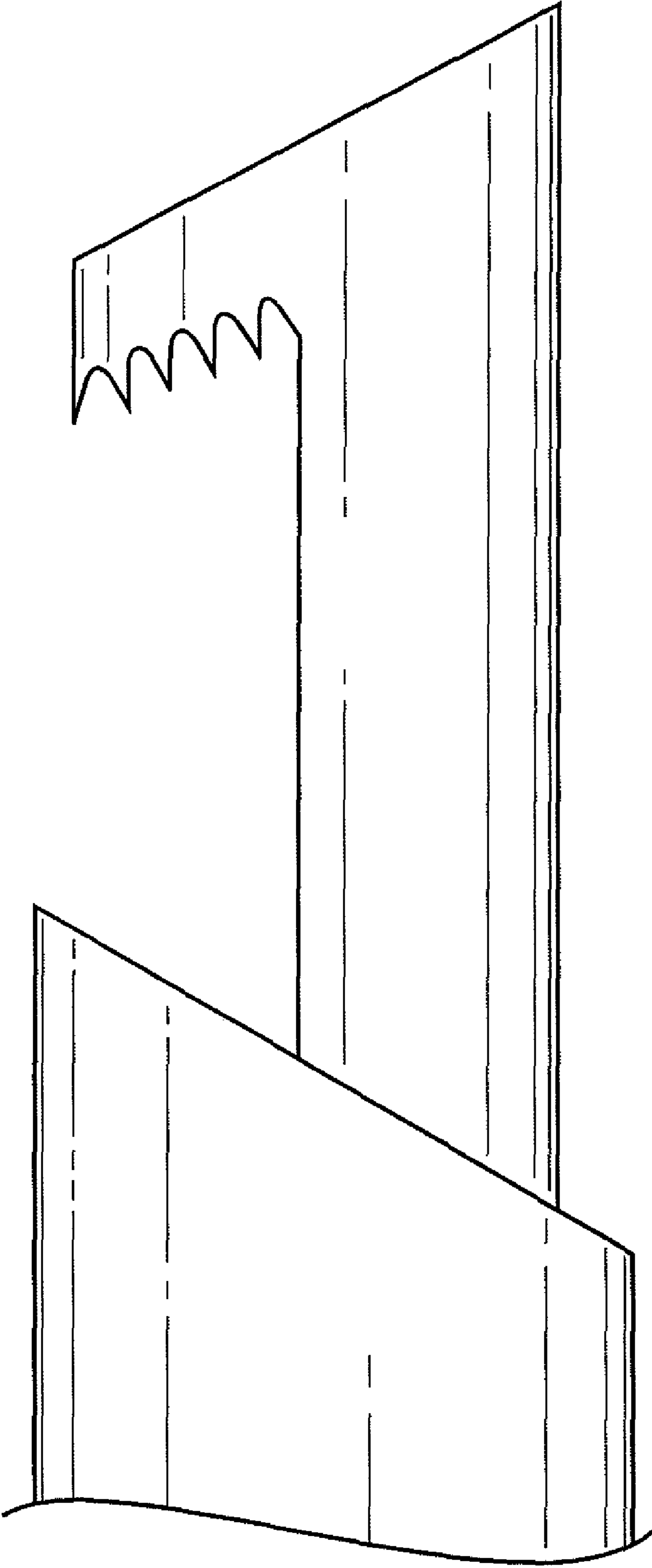


FIG. 10