



US00D621938S

(12) **United States Design Patent**
Petersen et al.

(10) **Patent No.:** **US D621,938 S**

(45) **Date of Patent:** **** Aug. 17, 2010**

(54) **INSTRUMENT FOR TESTING A THICKNESS OF A TENDON GRAFT**

4,871,074 A * 10/1989 Bryson et al. 211/26
4,889,107 A * 12/1989 Kaufman 600/206

(75) Inventors: **Wolf Petersen**, Berlin (DE); **Joerg Richter**, Ludwigsburg (DE); **Thore Zantop**, Muenster (DE); **Michael Sauer**, Tuttlingen (DE)

(Continued)

FOREIGN PATENT DOCUMENTS

(73) Assignee: **Karl Storz GmbH & Co. KG** (DE)

EM 001110407-0002 * 3/2009

(**) Term: **14 Years**

(21) Appl. No.: **29/344,062**

(Continued)

(22) Filed: **Sep. 23, 2009**

OTHER PUBLICATIONS

(30) **Foreign Application Priority Data**

Mar. 23, 2009 (EM) 001110407-0002

Storz Advertising Literature—Arthroscopy, Sports Medicine Spine Surgery; 3rd Edition; Jan. 2008; 2 pages (p. 64).

(51) **LOC (9) Cl.** **24-02**

(52) **U.S. Cl.** **D24/140**

(58) **Field of Classification Search** D24/133, D24/134, 135, 136, 137, 138, 139, 140, 141, D24/142, 143, 146, 150, 152, 144, 145, 147, D24/148, 149, 151, 153, 154, 127, 128, 129, D24/130, 107–108, 112, 111, 200; D23/233, D23/235; D8/40, 47, 57, 60, 67, 68, 69, D8/80, 82, 83, 84, 93, 94, 97, 107, 72, 73, D8/74, 52, 56; 600/101, 104, 105, 106, 109, 600/112, 131, 135, 160, 162, 431, 564, 568, 600/184, 220–223, 224, 225–227, 201–203, 600/210–218; 606/129, 186, 4, 5, 6, 7, 102, 606/86 A, 86 B, 119, 151, 157, 191–200; 81/9.22; 604/48

Primary Examiner—Jeffrey D Asch

Assistant Examiner—Bridget L Eland

(74) *Attorney, Agent, or Firm*—St. Onge Steward Johnston & Reens LLC

See application file for complete search history.

(57) **CLAIM**

The ornamental design for an instrument for testing a thickness of a tendon graft, as shown and described.

(56) **References Cited**

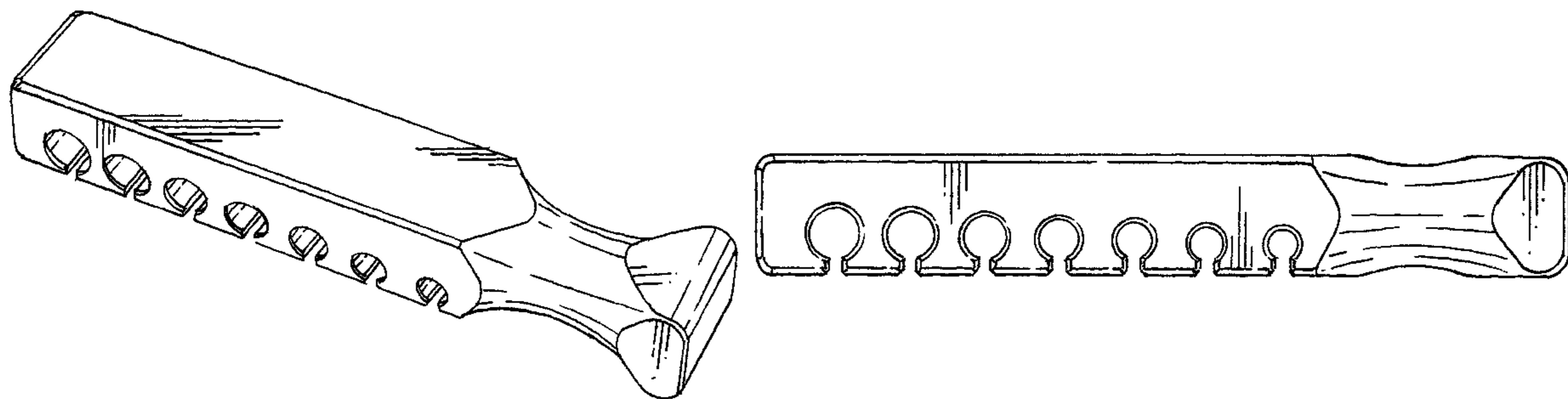
U.S. PATENT DOCUMENTS

D216,491 S * 1/1970 Brown D24/230
4,143,765 A * 3/1979 Moss, III 206/445
D273,162 S * 3/1984 Halverson D6/572
4,526,023 A * 7/1985 Babb 72/116
D289,005 S * 3/1987 Babb D8/72

DESCRIPTION

FIG. 1 is a top perspective view of an instrument for testing a thickness of a tendon graft in accordance with the new design; FIG. 2 is a left side elevation view thereof, the right side being a mirror image thereof; FIG. 3 is a bottom elevation view thereof; FIG. 4 is a top elevation view thereof; and, FIG. 5 is a rear elevation view thereof.

1 Claim, 2 Drawing Sheets



US D621,938 S

Page 2

U.S. PATENT DOCUMENTS

D336,131 S * 6/1993 Nordstrom et al. D24/128
5,316,246 A * 5/1994 Scott et al. 248/68.1
5,366,457 A * 11/1994 McGuire et al. 606/86 R
7,276,208 B2 * 10/2007 Sevigny et al. 422/104
2009/0005822 A1 * 1/2009 Kitchens 606/86 B

2009/0088768 A1* 4/2009 Grant et al. 606/102

FOREIGN PATENT DOCUMENTS

EM 001617259-0003 * 9/2009

* cited by examiner

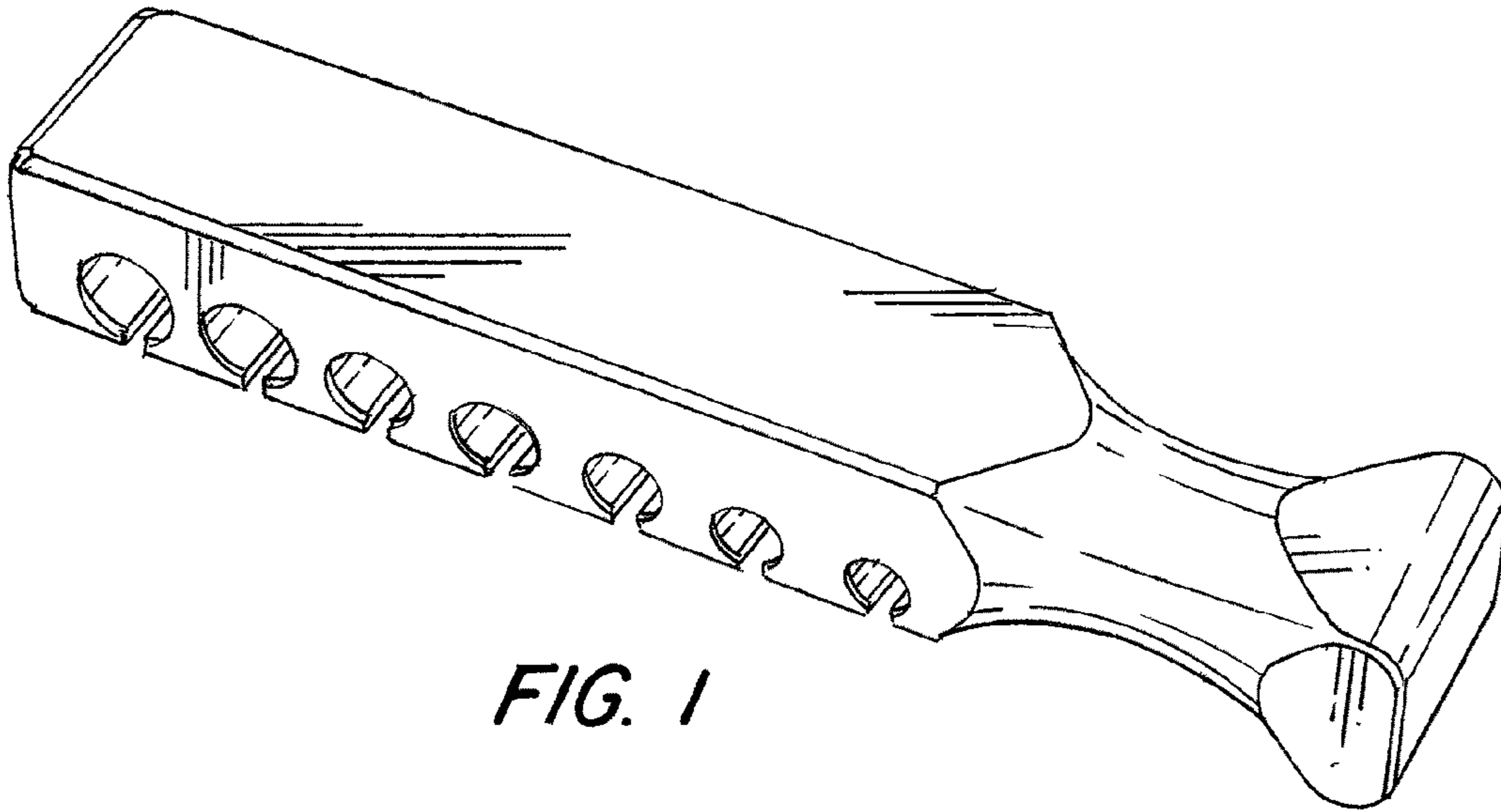


FIG. 1

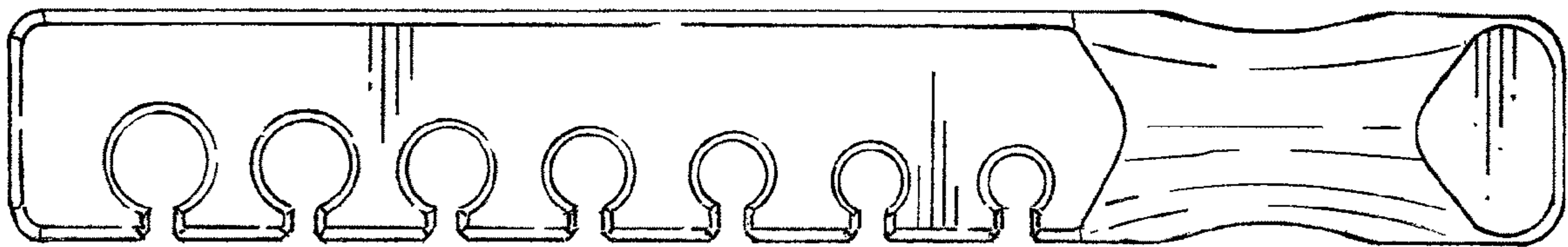


FIG. 2

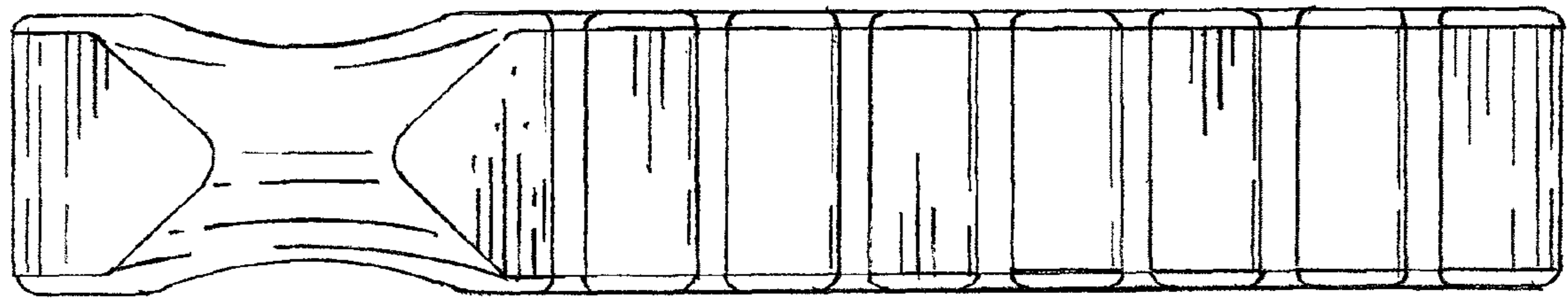


FIG. 3

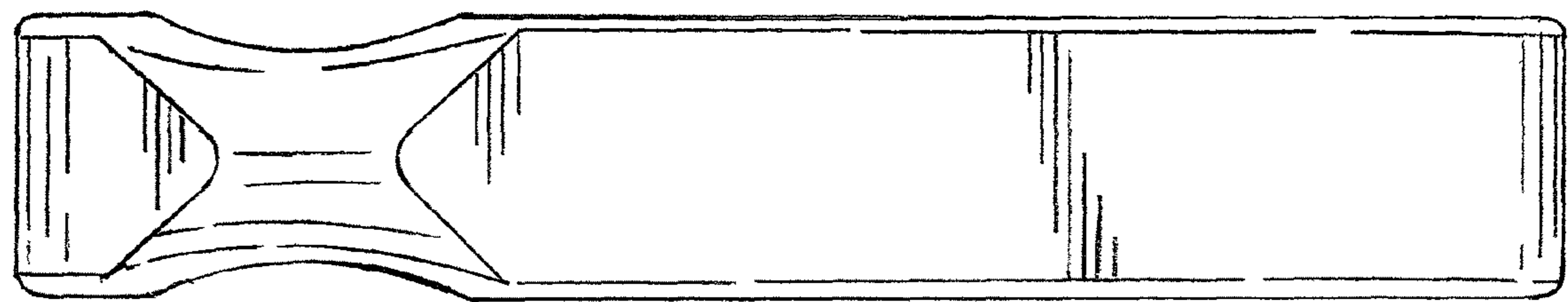


FIG. 4

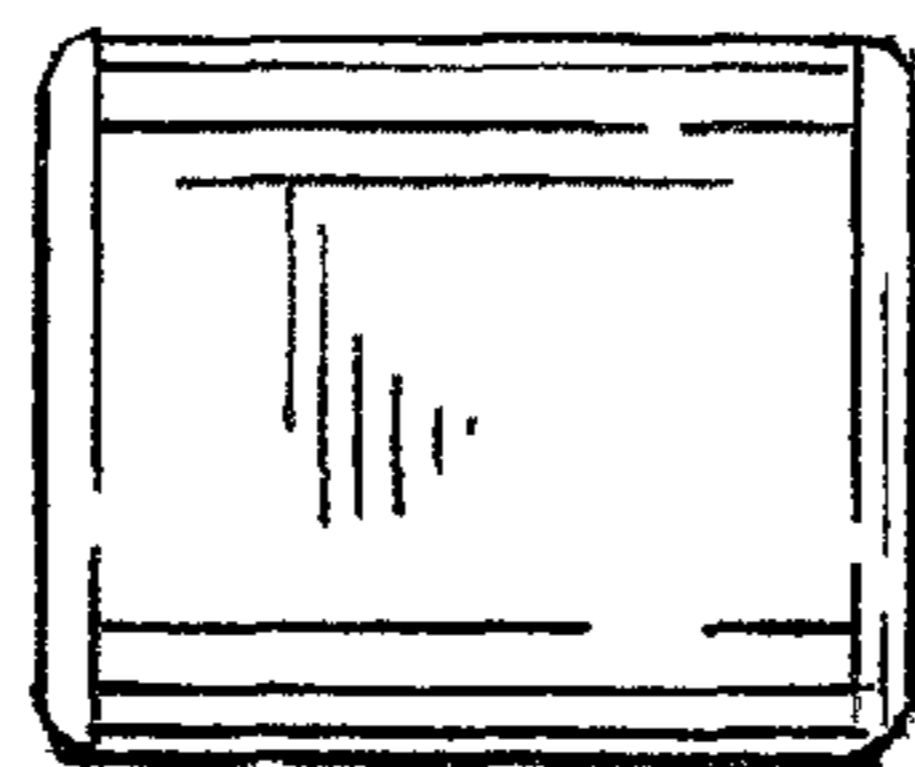


FIG. 5