



US00D621937S

(12) **United States Design Patent**
Efinger et al.

(10) **Patent No.:** **US D621,937 S**
(45) **Date of Patent:** **** Aug. 17, 2010**

(54) **RETRACTOR WITH OPTIC SHAFT**

(75) Inventors: **Andreas Efinger**, Riethheim (DE);
Kevin Pilz, Tuttlingen (DE)

(73) Assignee: **Karl Storz GmbH & Co. KG** (DE)

(**) Term: **14 Years**

(21) Appl. No.: **29/344,090**

(22) Filed: **Sep. 23, 2009**

(30) **Foreign Application Priority Data**

Mar. 23, 2009 (EM) 001110407-0015

(51) **LOC (9) Cl.** **24-02**

(52) **U.S. Cl.** **D24/137; D24/135**

(58) **Field of Classification Search** D24/133,
D24/134, 135, 136, 137, 138, 139, 140, 141,
D24/142, 143, 146, 150, 152, 144, 145, 147,
D24/148, 149, 151, 153, 154, 127, 128, 129,
D24/130, 107-108, 112, 111, 200; D23/233,
D23/235; D8/40, 47, 57, 60, 67, 68, 69,
D8/80, 82, 83, 84, 93, 94, 97, 107, 72, 73,
D8/74, 52, 56; 600/101, 104, 105, 106, 109,
600/112, 131, 135, 160, 162, 215, 431, 564,
600/568, 184, 220-223, 224, 225-227, 201-203,
600/210-218; 606/129, 186, 4, 5, 6, 7, 102,
606/86 A, 86 B, 119, 151, 157, 191-200;
81/9.22; 604/48

See application file for complete search history.

(56) **References Cited**

U.S. PATENT DOCUMENTS

2,330,882 A * 10/1943 Gray 600/553
2,540,936 A * 2/1951 Daniels, Sr. 606/110
D284,028 S * 5/1986 Seager D24/138
5,035,232 A * 7/1991 Lutze et al. 600/213
5,391,180 A * 2/1995 Tovey et al. 600/224
D375,789 S * 11/1996 Bryant et al. D24/112
D379,504 S * 5/1997 Crews et al. D24/105
D387,863 S * 12/1997 Herman et al. D24/133
D389,915 S * 1/1998 Emerson et al. D24/144

5,891,018 A * 4/1999 Wells 600/226
5,904,650 A * 5/1999 Wells 600/226
6,176,824 B1 * 1/2001 Davis 600/178
D457,628 S * 5/2002 Eggers et al. D24/144
6,432,045 B2 * 8/2002 Lemperle et al. 600/135
6,554,768 B1 * 4/2003 Leonard 600/213
7,044,909 B2 * 5/2006 Berci et al. 600/185

(Continued)

FOREIGN PATENT DOCUMENTS

EM 001110407-0015 * 3/2009

(Continued)

Primary Examiner—Jeffrey D Asch

Assistant Examiner—Bridget L Eland

(74) *Attorney, Agent, or Firm*—St. Onge Steward Johnston &
Reens LLC

(57) **CLAIM**

The ornamental design for a retractor with optic shaft, as shown and described.

DESCRIPTION

FIG. 1 is a right side perspective view of a retractor with optic shaft in accordance with the new design;

FIG. 2 is a right side elevation view thereof;

FIG. 3 is a left side elevation view thereof;

FIG. 4 is a top elevation view thereof;

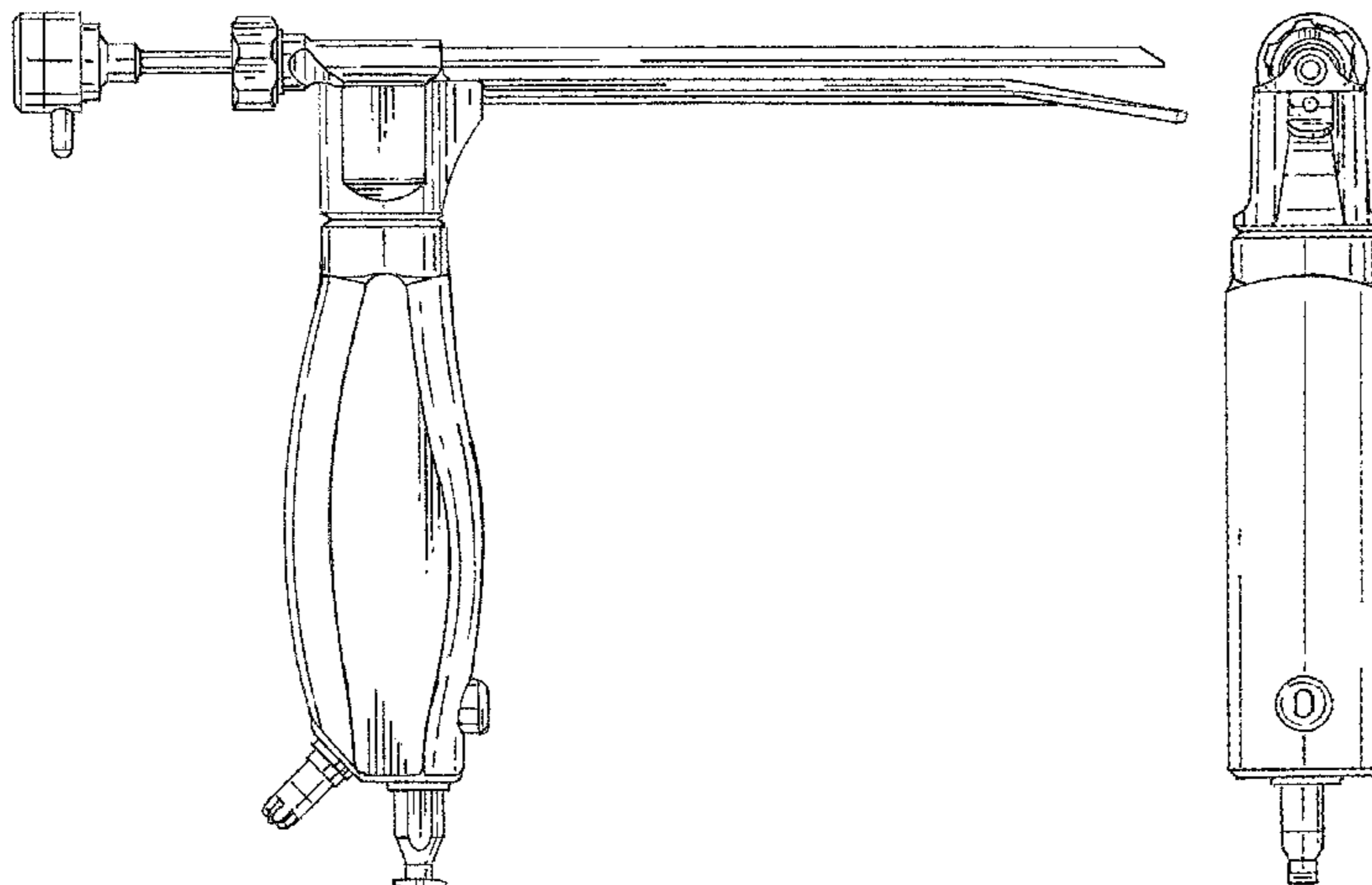
FIG. 5 is a bottom elevation view thereof;

FIG. 6 is a front elevation view thereof; and,

FIG. 7 is a rear elevation view thereof.

The broken line showing in FIGS. 1 and 7 is included for the purpose of illustrating portions of the article that form no part of the claimed design.

1 Claim, 5 Drawing Sheets



US D621,937 S

Page 2

U.S. PATENT DOCUMENTS

7,108,698 B2 * 9/2006 Robbins et al. 606/90
D558,345 S * 12/2007 Witt D24/152
D569,508 S * 5/2008 Bacher et al. D24/133
2004/0242968 A1 * 12/2004 Hill et al. 600/210
2005/0192486 A1 * 9/2005 Hamel et al. 600/226
2008/0200758 A1 * 8/2008 Orbay et al. 600/112

2009/0112161 A1 * 4/2009 Maerten et al. 604/131
2009/0299328 A1 * 12/2009 Mudd et al. 604/506

FOREIGN PATENT DOCUMENTS

EM 001581810-0003 * 7/2009

* cited by examiner

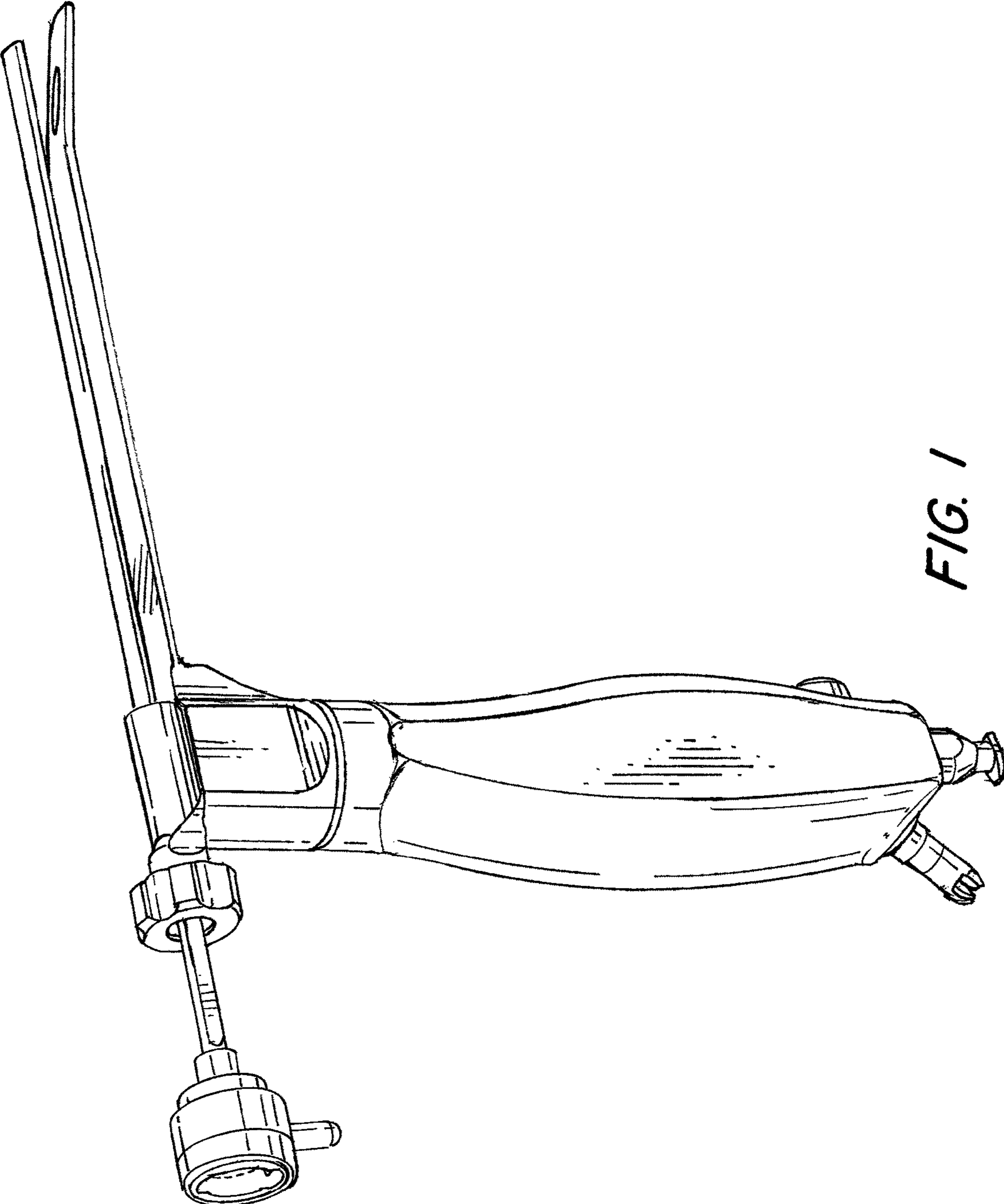


FIG. 1

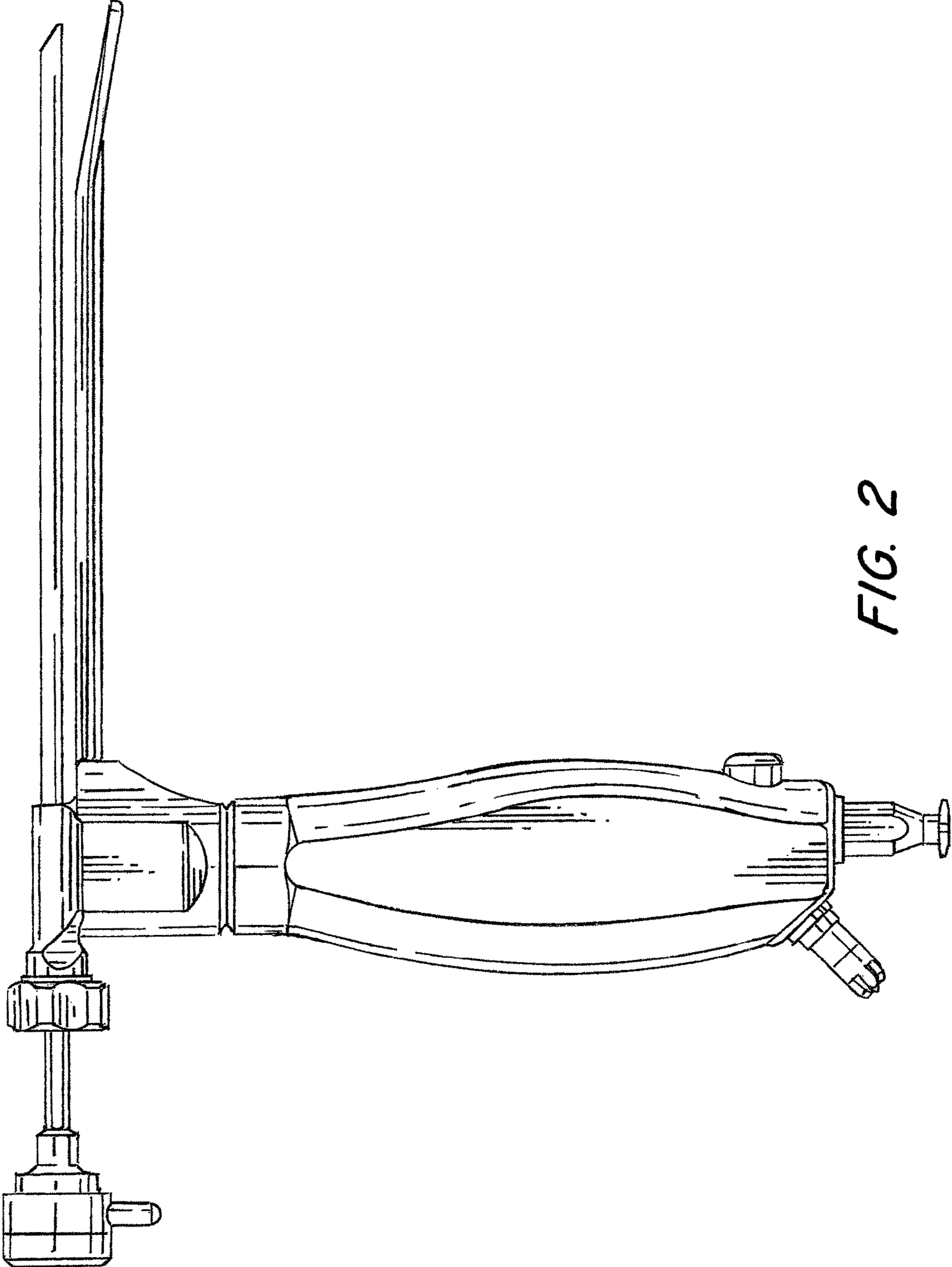


FIG. 2

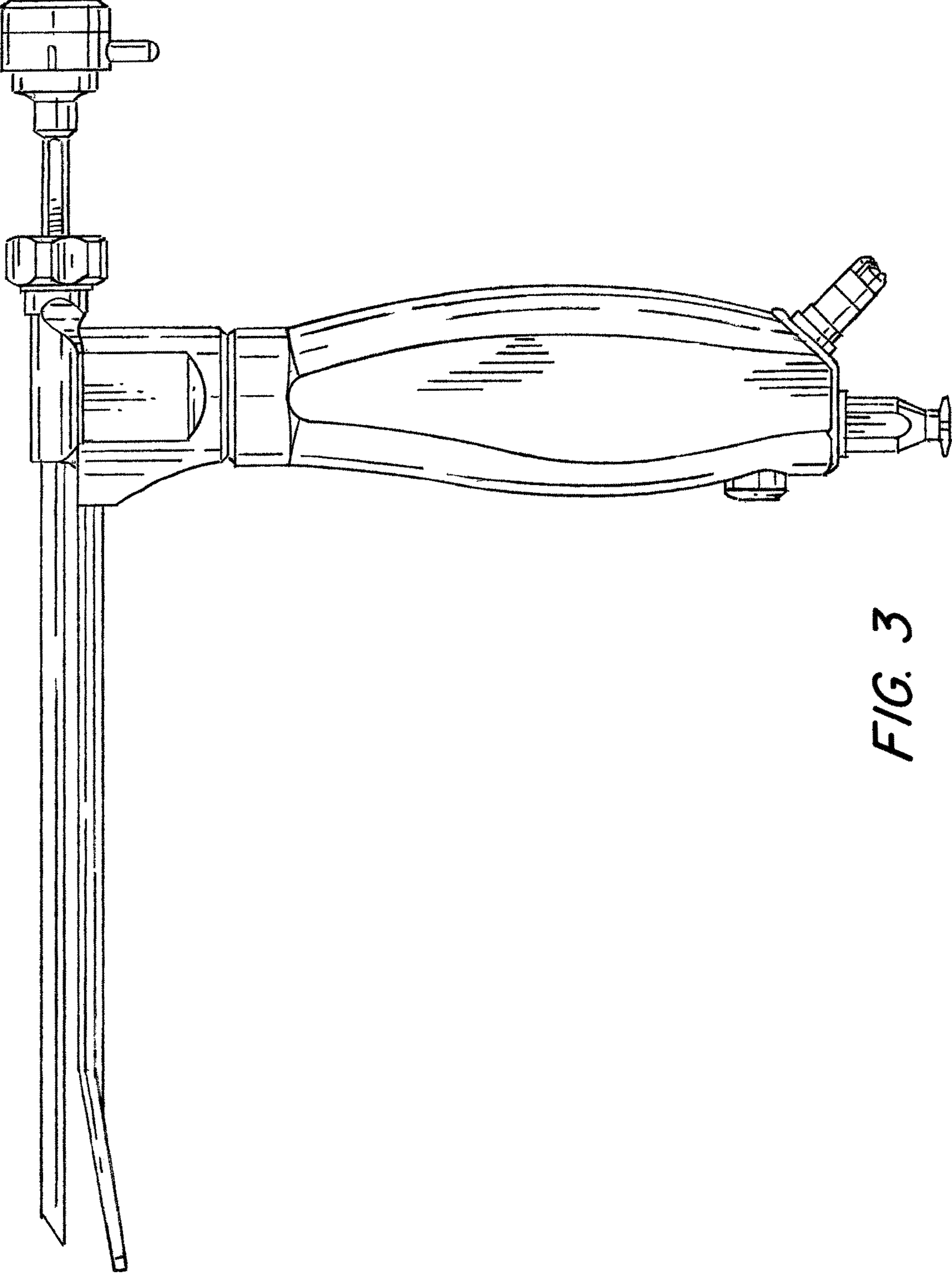


FIG. 3

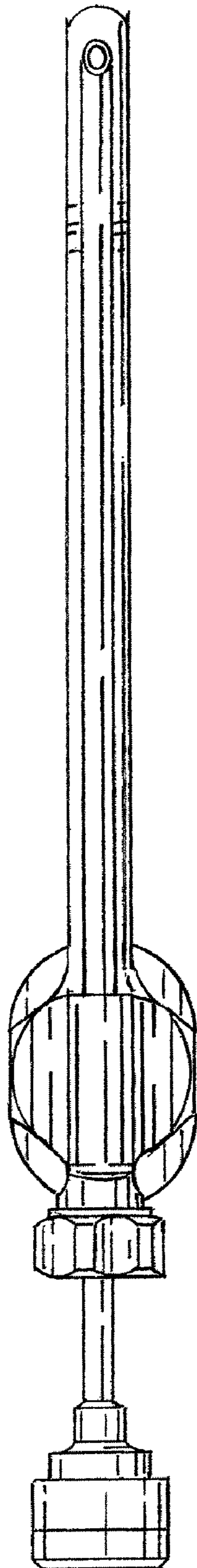


FIG. 4

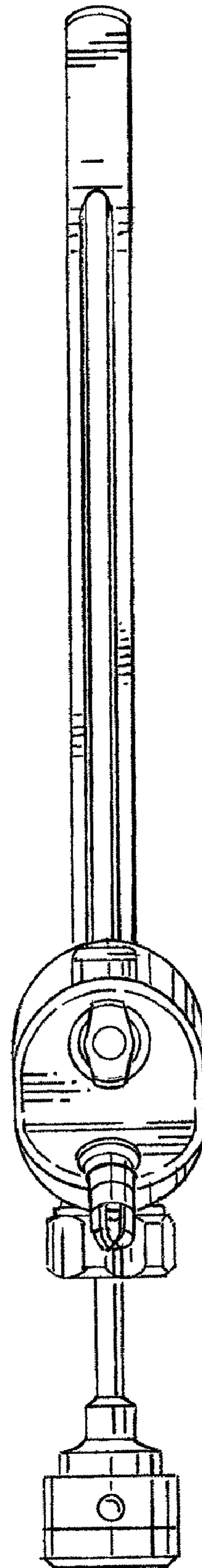


FIG. 5

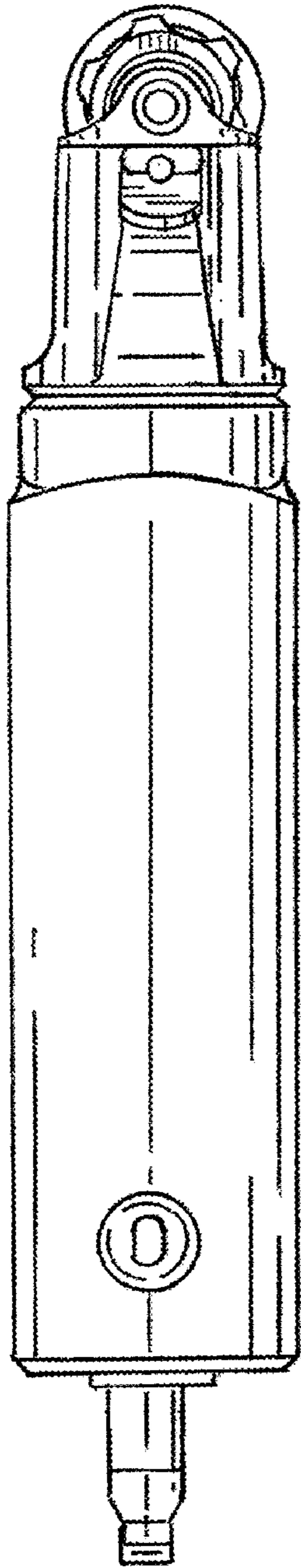


FIG. 6

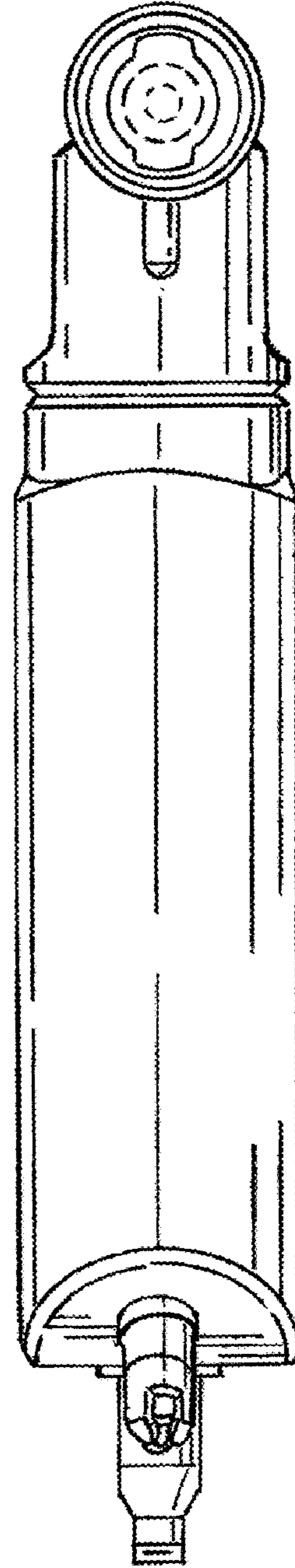


FIG. 7