



US00D621936S

(12) **United States Design Patent**
Gillis et al.

(10) **Patent No.:** **US D621,936 S**

(45) **Date of Patent:** **** Aug. 17, 2010**

(54) **SPECULUM**

(75) Inventors: **Ralph L. Gillis**, Nashua, NH (US);
Joanne M. Krawczyk, Dunstable, MA
(US); **Marc A. Larochelle**, Manchester,
NH (US); **Nicholas Want**, Manchester,
NH (US); **John Walsh**, Norfolk, MA
(US); **Charlotte Richards**, Newton, MA
(US); **Richard Ross**, Newton, MA (US);
Jo Ann Jorge, Ashland, MA (US)

(73) Assignee: **Innovative Gynecological Solutions,
LLC**, Yuma, AZ (US)

(**) Term: **14 Years**

(21) Appl. No.: **29/291,165**

(22) Filed: **Aug. 16, 2007**

Related U.S. Application Data

(63) Continuation of application No. 29/270,501, filed on
Dec. 22, 2006, now abandoned.

(51) **LOC (9) Cl.** **24-02**

(52) **U.S. Cl.** **D24/135**

(58) **Field of Classification Search** D24/135,
D24/137, 140, 141; 600/184, 194-200, 208;
604/88; 128/3, 4, 7

See application file for complete search history.

(56) **References Cited**

U.S. PATENT DOCUMENTS

1,286,083 A * 11/1918 Pennington 600/184

2,896,611 A * 7/1959 Moore 600/184
D333,702 S * 3/1993 Huffman D24/135
D360,261 S * 7/1995 Swanson et al. D24/135
D455,211 S * 4/2002 Allende D24/141
6,616,603 B1 * 9/2003 Fontana 600/199
7,029,438 B2 * 4/2006 Morin et al. 600/184
D564,657 S * 3/2008 Tsai D24/135

* cited by examiner

Primary Examiner—Philip S Hyder

Assistant Examiner—Anna J Burmeister

(74) *Attorney, Agent, or Firm*—Wolf, Greenfield & Sacks,
P.C.

(57) **CLAIM**

The ornamental design for a speculum, as shown and
described above.

DESCRIPTION

FIG. 1 is a perspective view of a speculum, showing our new
design;

FIG. 2 is a left side elevational view thereof, whereas the right
side elevational view is a mirror image;

FIG. 3 is a top plan view thereof;

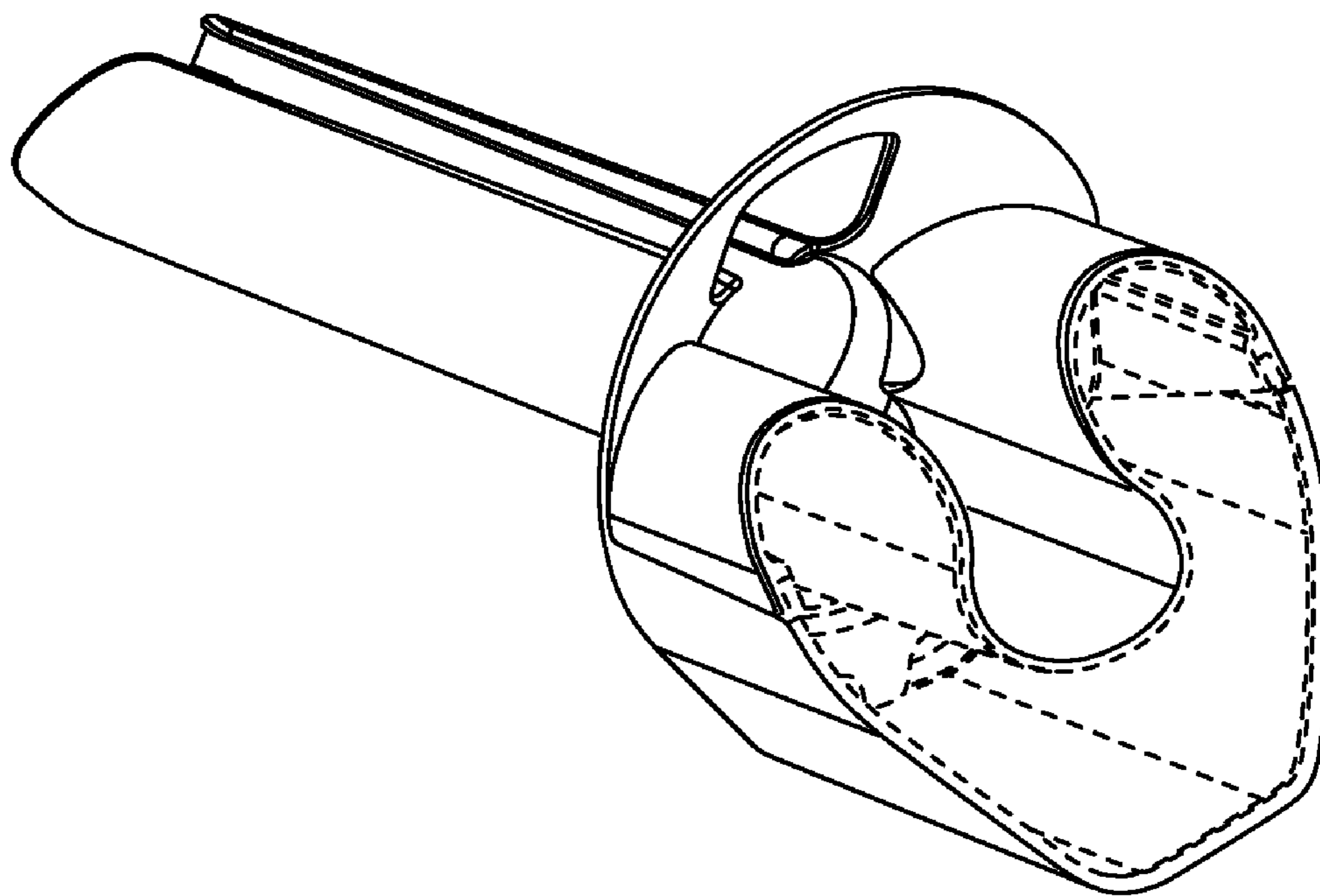
FIG. 4 is rear elevational view thereof;

FIG. 5 is a bottom plan view thereof; and,

FIG. 6 is a front elevational view thereof.

The broken lines shown in FIGS. 1, 3 and 4 indicate that the
interior portions defined thereby are disclaimed. The broken
lines show environmental structure only and form no part of
the claimed design.

1 Claim, 3 Drawing Sheets



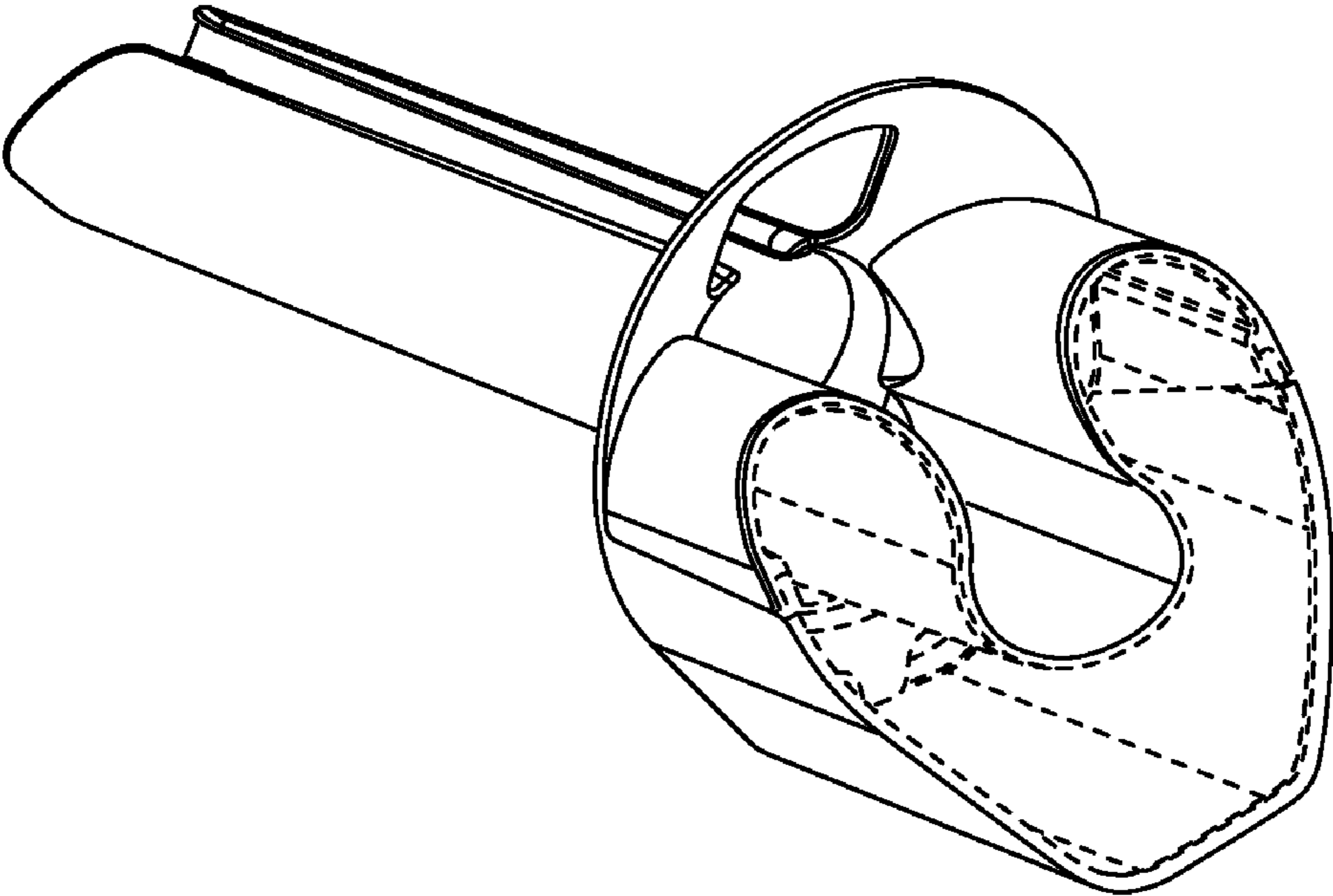


FIG. 1

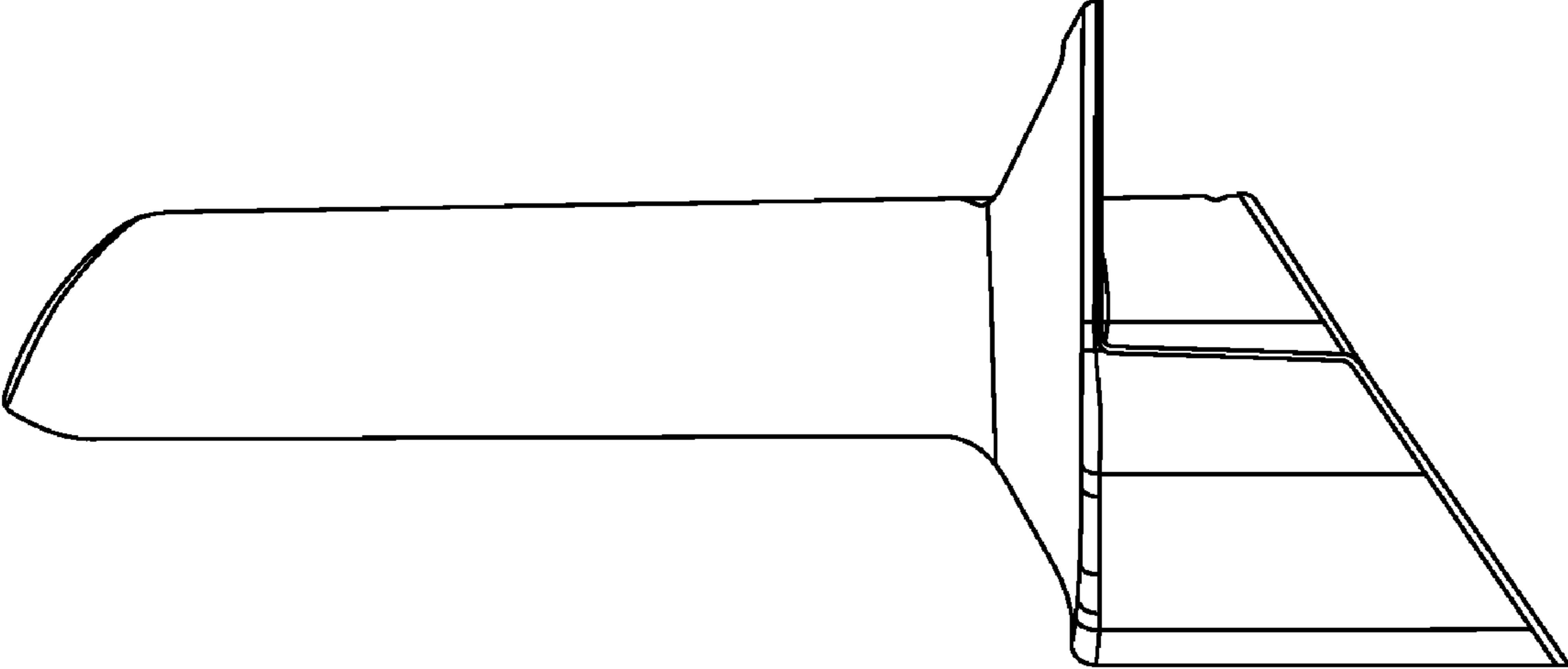


FIG. 2

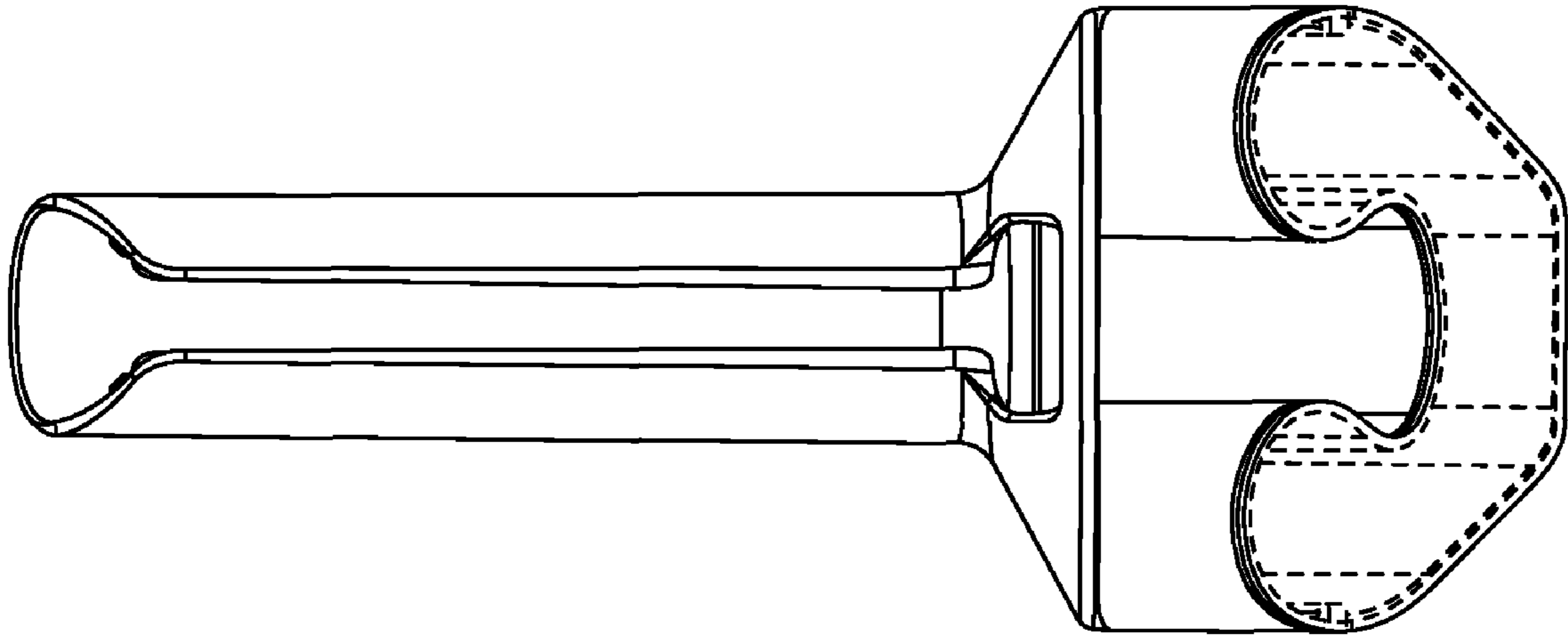


FIG. 3

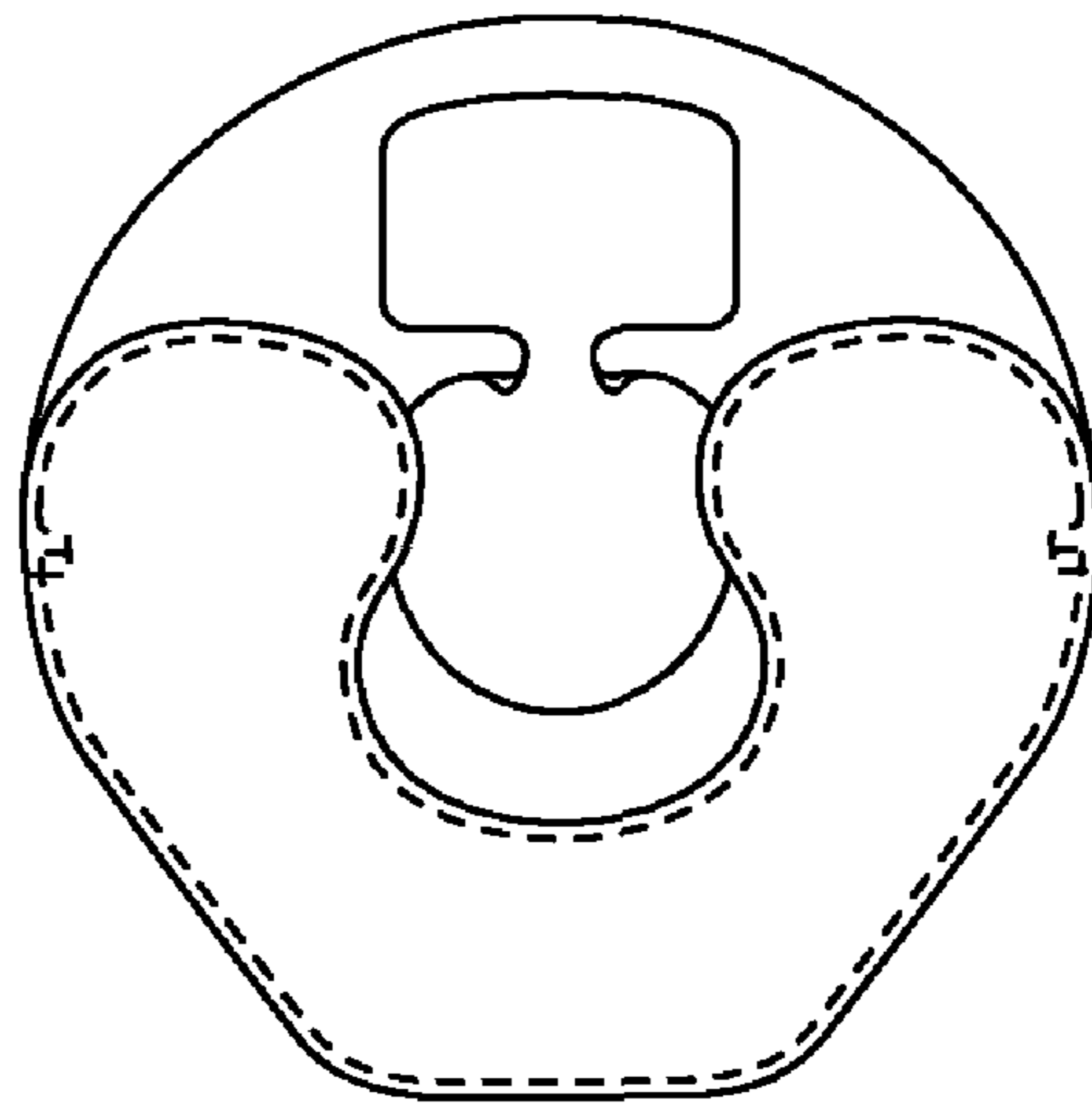


FIG. 4

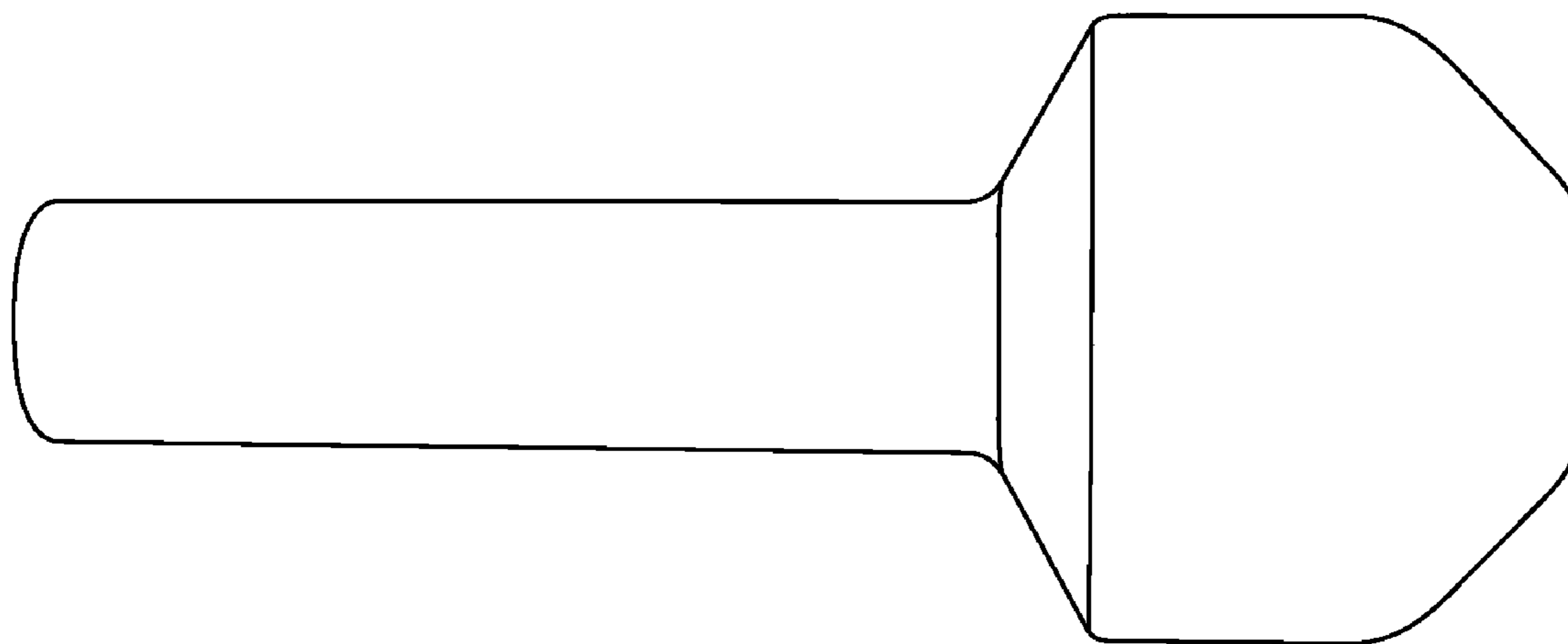


FIG. 5

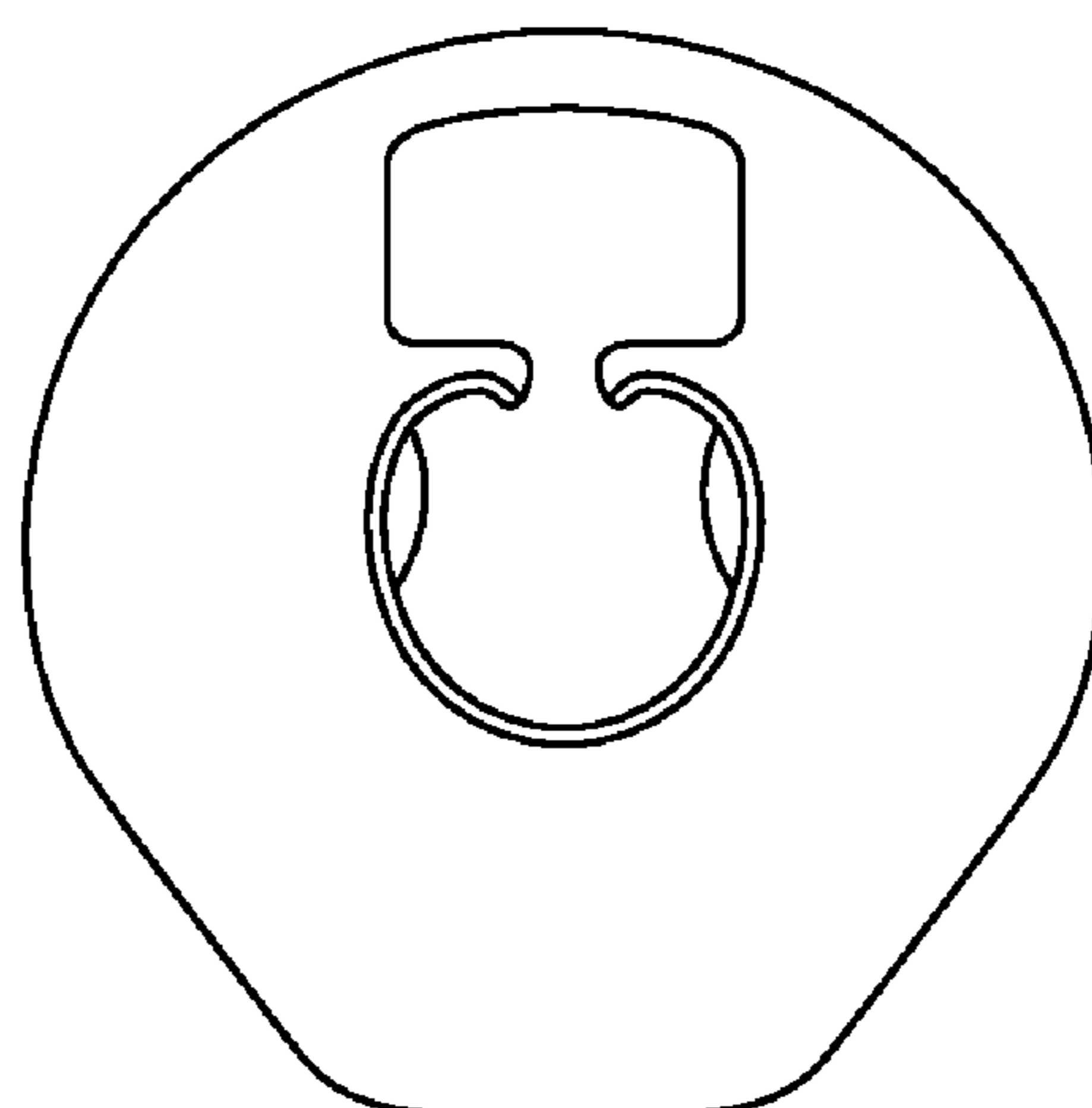


FIG. 6