



US00D621934S

(12) **United States Design Patent**
Hermle

(10) **Patent No.:** **US D621,934 S**

(45) **Date of Patent:** **** Aug. 17, 2010**

(54) **MEDICAL INSTRUMENT**

(75) Inventor: **Rainer Hermle**, Gosheim (DE)

(73) Assignee: **Karl Storz GmbH & Co. KG** (DE)

(**) Term: **14 Years**

(21) Appl. No.: **29/344,829**

(22) Filed: **Oct. 5, 2009**

(30) **Foreign Application Priority Data**

Apr. 3, 2009 (EM) 001117782-0018

(51) **LOC (9) Cl.** **24-02**

(52) **U.S. Cl.** **D24/133**

(58) **Field of Classification Search** D24/133,
D24/134, 135, 136, 137, 138, 139, 140, 141,
D24/142, 143, 146, 150, 152, 144, 145, 147,
D24/148, 149, 151, 153, 154, 127, 128, 129,
D24/130, 107-108, 112, 111, 200; D23/233,
D23/235; D8/40, 47, 57, 60, 67, 68, 69,
D8/80, 82, 83, 84, 93, 94, 97, 107; 600/184,
600/220-223, 224, 225-227, 201-203, 210-218;
606/7, 86 A, 86 B, 119, 129, 186; 81/9.22;
604/48

See application file for complete search history.

(56) **References Cited**

U.S. PATENT DOCUMENTS

2,811,969 A * 11/1957 Shubert 606/125
3,076,455 A * 2/1963 McConnaughey et al. ... 604/232
4,726,370 A * 2/1988 Karasawa et al. 606/46
4,924,924 A * 5/1990 Stewart 142/49
5,115,816 A * 5/1992 Lee 600/562
7,276,032 B2 * 10/2007 Hibner 600/564

D573,252 S * 7/2008 Peretti et al. D24/113
D583,051 S * 12/2008 Lee et al. D24/133
7,628,762 B2 * 12/2009 Miller et al. 600/564
2001/0027291 A1 * 10/2001 Shanley 604/104
2007/0276189 A1 * 11/2007 Abel et al. 600/210
2010/0036442 A1 * 2/2010 Laurysen et al. 606/86 A
2010/0069787 A1 * 3/2010 Miller et al. 600/564

FOREIGN PATENT DOCUMENTS

WO DM/051620 * 3/2000

* cited by examiner

Primary Examiner—Bridget L Eland

(74) *Attorney, Agent, or Firm*—St. Onge Steward Johnston & Reens LLC

(57) **CLAIM**

The ornamental design for a medical instrument, as shown and described.

DESCRIPTION

FIG. 1 is a left side perspective view of a medical instrument in accordance with the new design;

FIG. 2 is a left side elevation view thereof;

FIG. 3 is a right side elevation view thereof;

FIG. 4 is a top plan view thereof;

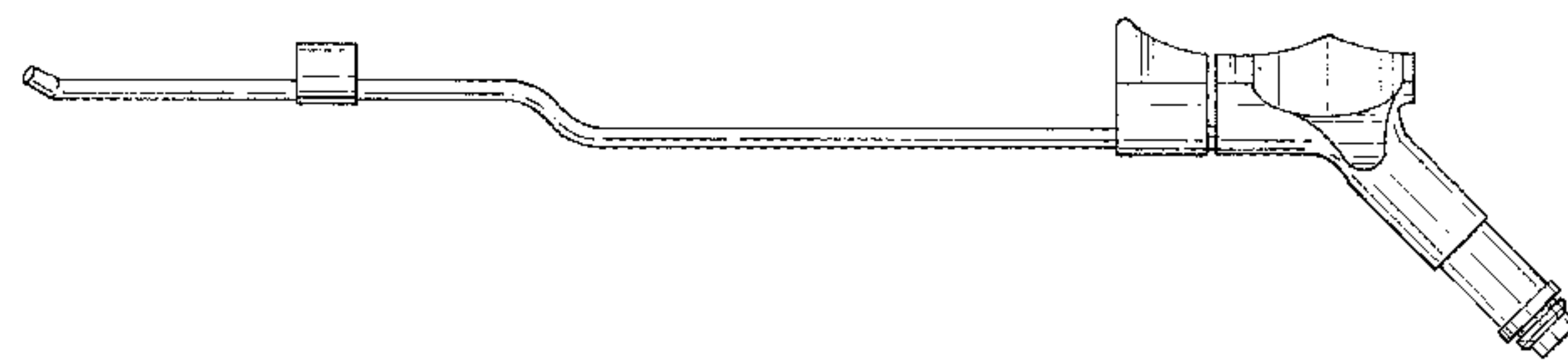
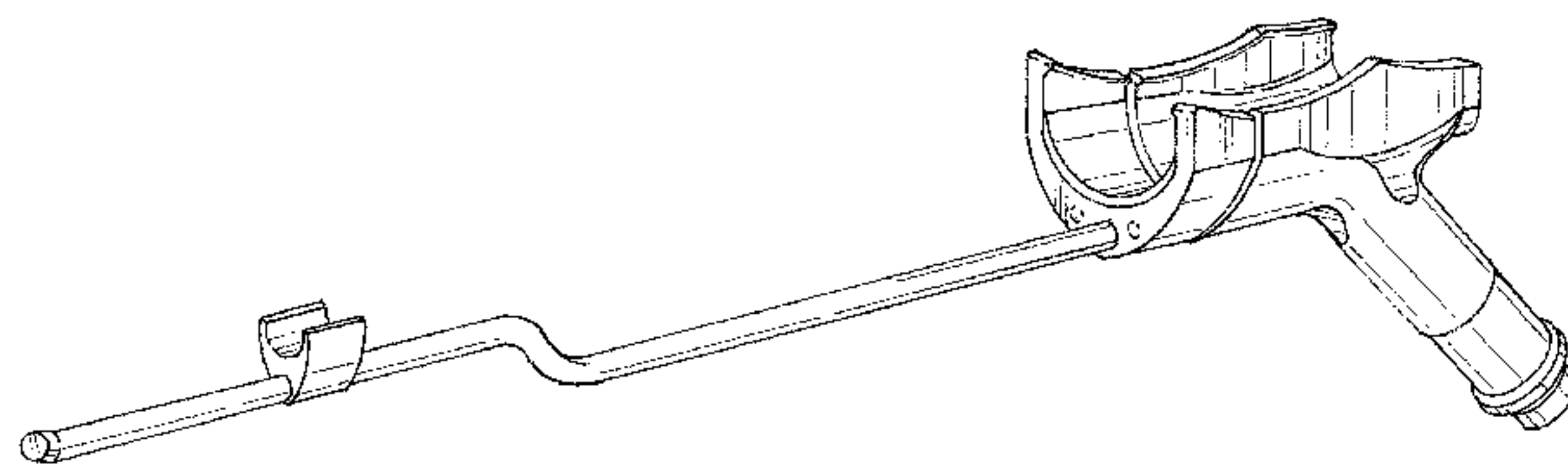
FIG. 5 is a bottom plan view thereof;

FIG. 6 is a front elevation view thereof; and,

FIG. 7 is a rear elevation view thereof.

The broken lines shown in FIGS. 1 and 6 are for illustration purposes only, with the lines themselves and the areas within them forming no part of the claimed design.

1 Claim, 4 Drawing Sheets



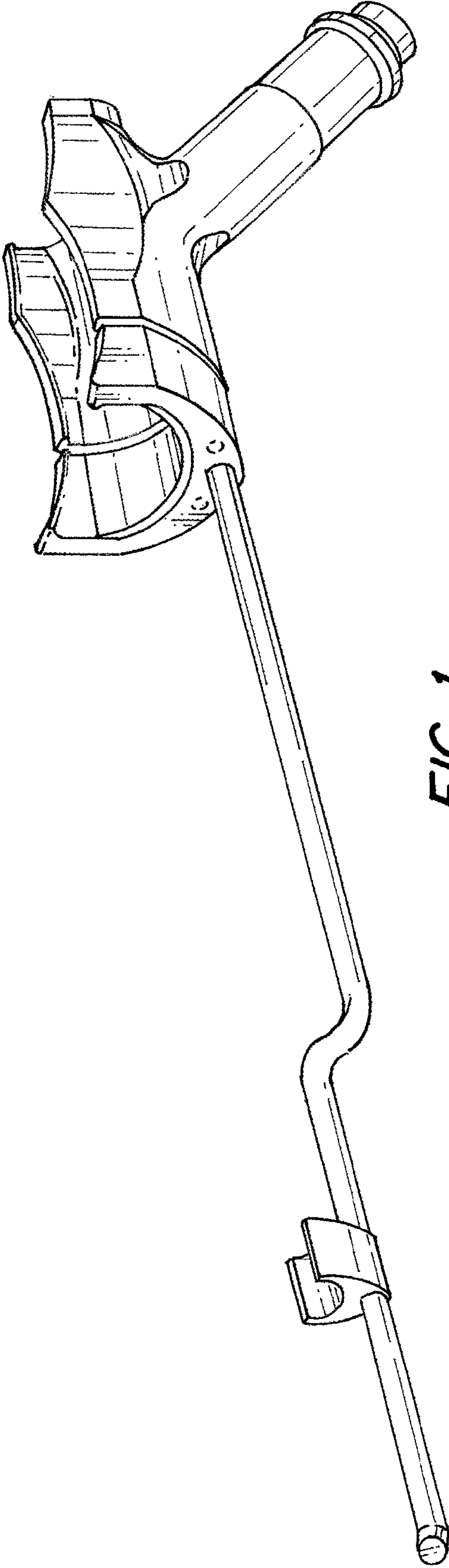


FIG. 1

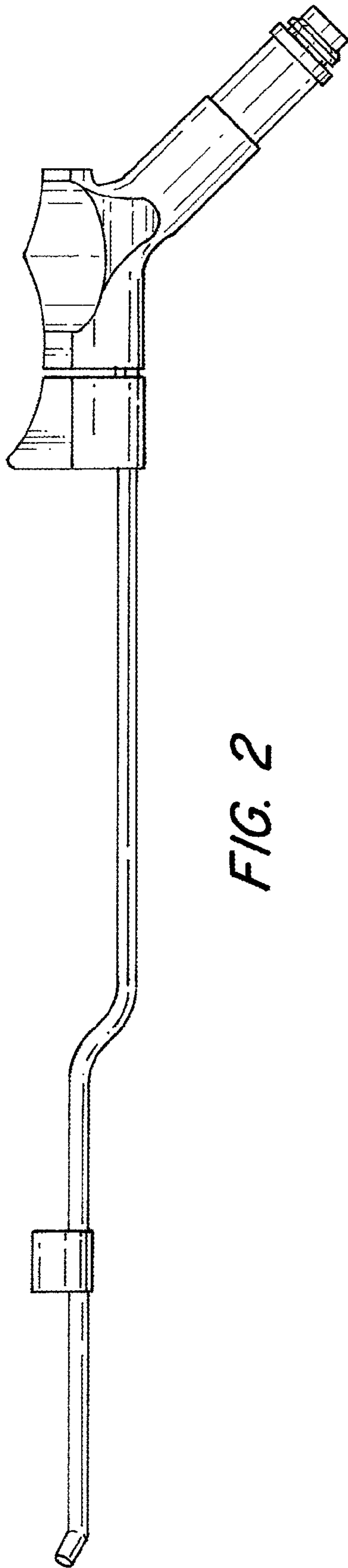


FIG. 2

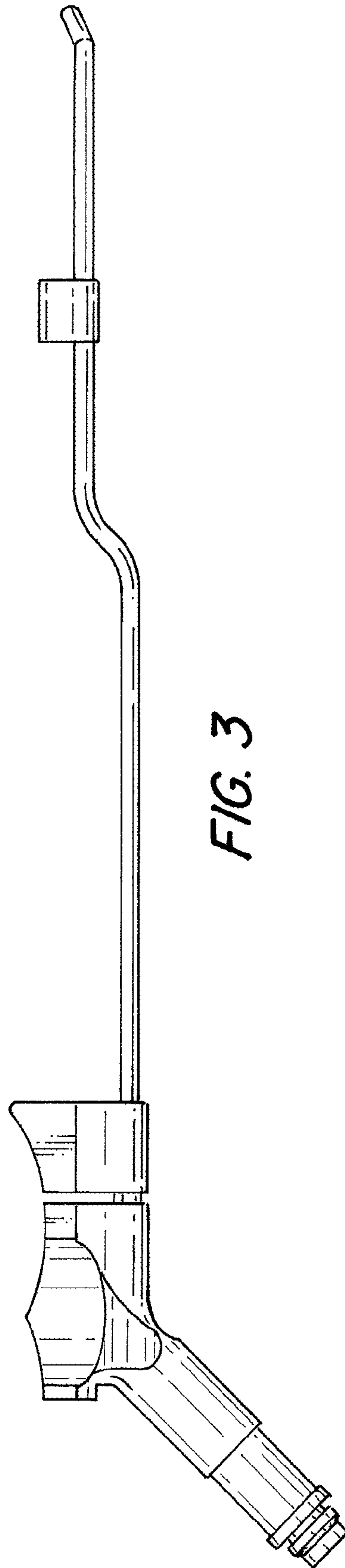


FIG. 3

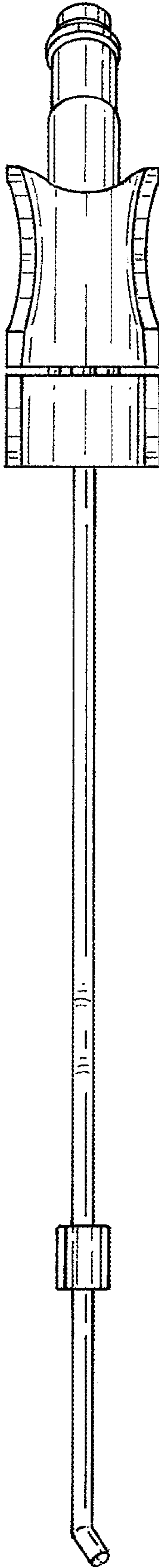


FIG. 4

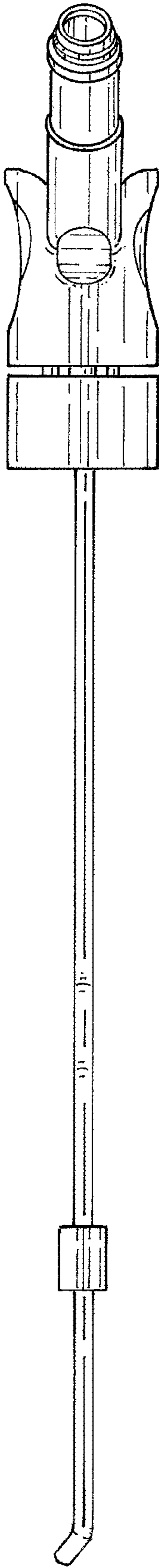


FIG. 5

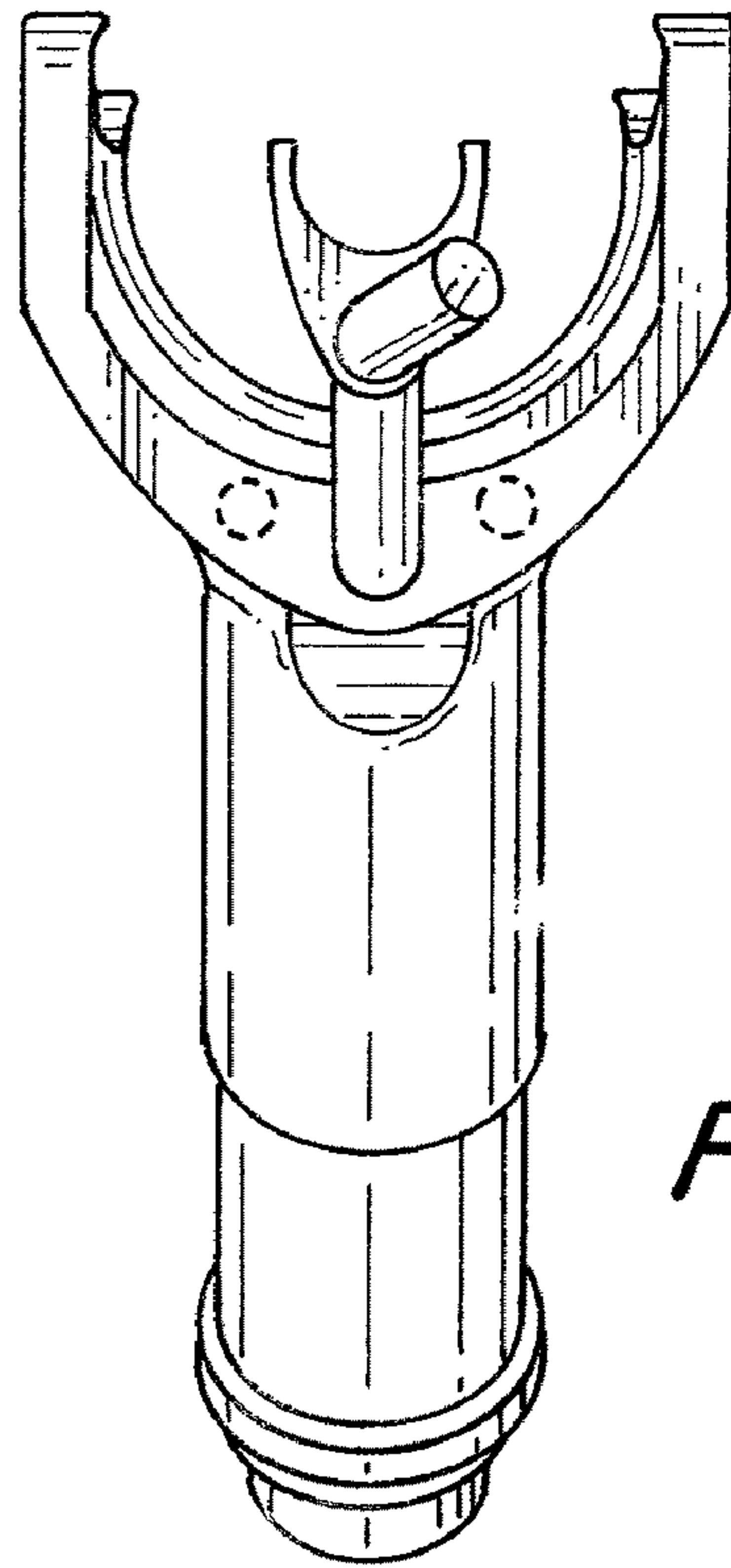


FIG. 6

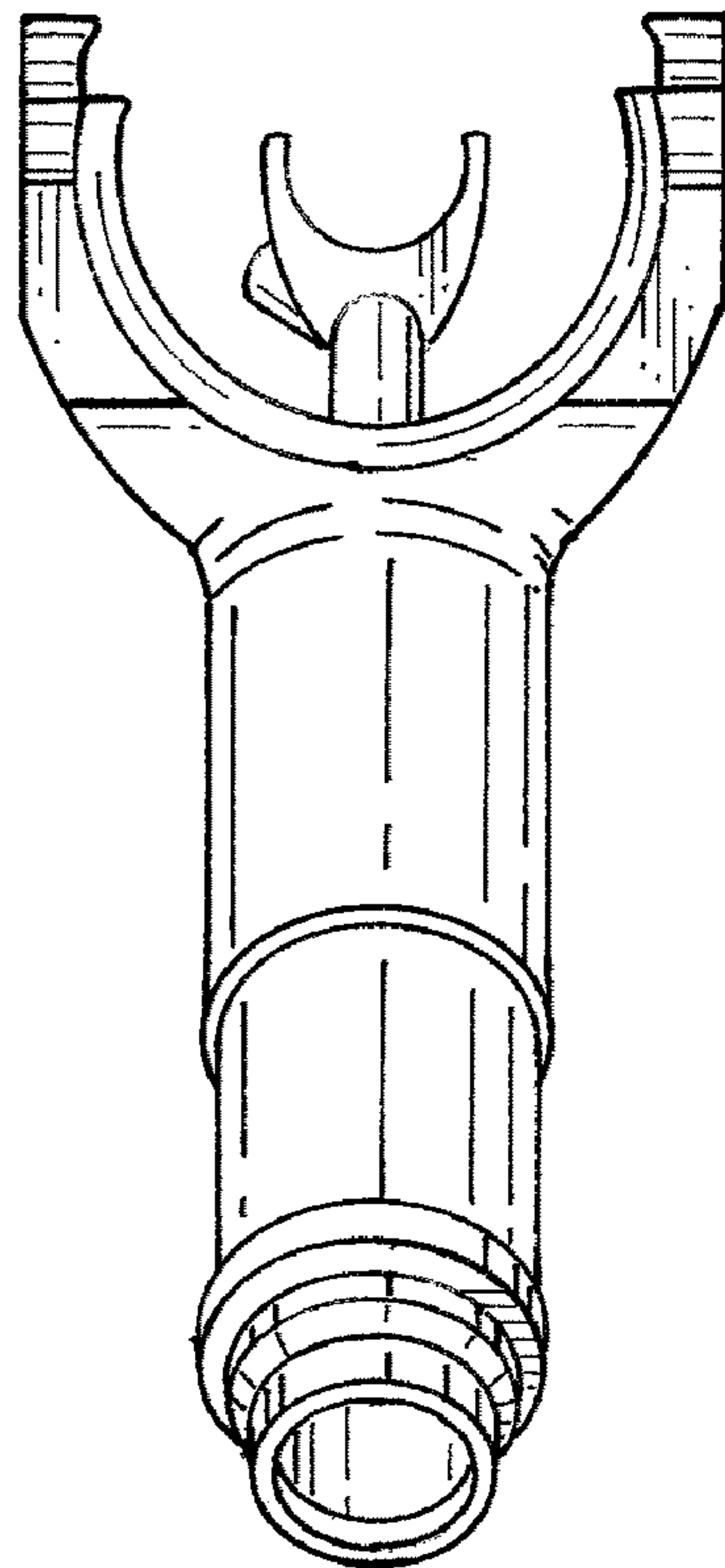


FIG. 7