



US00D621931S

(12) **United States Design Patent**
Storz

(10) **Patent No.:** **US D621,931 S**

(45) **Date of Patent:** **** Aug. 17, 2010**

(54) **HANDLE FOR A MEDICAL INSTRUMENT**

(75) Inventor: **Martin Storz**, Tuttlingen (DE)

(73) Assignee: **Karl Storz GmbH & Co. KG** (DE)

(**) Term: **14 Years**

(21) Appl. No.: **29/344,084**

(22) Filed: **Sep. 23, 2009**

(30) **Foreign Application Priority Data**

Mar. 23, 2009 (EM) 001110407-0014

(51) **LOC (9) Cl.** **24-02**

(52) **U.S. Cl.** **D24/133**

(58) **Field of Classification Search** D24/133,
D24/134, 135, 136, 137, 138, 139, 140, 141,
D24/142, 143, 146, 150, 152, 144, 145, 147,
D24/148, 149, 151, 153, 154, 127, 128, 129,
D24/130, 107-108, 112, 111, 200; D23/233,
D23/235; D8/40, 47, 57, 60, 67, 68, 69,
D8/80, 82, 83, 84, 93, 94, 97, 107, 72, 73,
D8/74, 52, 56; 600/101, 104, 105, 106, 109,
600/112, 131, 135, 160, 162, 215, 431, 564,
600/568, 184, 220-223, 224, 225-227, 201-203,
600/210-218; 606/129, 186, 4, 5, 6, 7, 102,
606/86 A, 86 B, 119, 151, 157, 191-200;
81/9.22; 604/48

See application file for complete search history.

(56) **References Cited**

U.S. PATENT DOCUMENTS

3,608,544 A * 9/1971 Schnepfer 600/564
4,836,205 A * 6/1989 Barrett 606/144
5,235,966 A * 8/1993 Jamner 600/204
D343,000 S * 1/1994 Olson D24/145

D377,094 S * 12/1996 Foshee et al. D24/143
D379,228 S * 5/1997 Rahimzadeh et al. D24/145
5,792,149 A * 8/1998 Sherts et al. 606/142
D460,553 S * 7/2002 Koros et al. D24/147
D562,978 S * 2/2008 Garito et al. D24/144
D613,407 S * 4/2010 Baynham D24/146
2004/0254575 A1 * 12/2004 Obenchain et al. 606/61
2009/0171391 A1 * 7/2009 Hutton et al. 606/246
2009/0248077 A1 * 10/2009 Johns 606/246

FOREIGN PATENT DOCUMENTS

EM 001110407-0014 * 3/2009

* cited by examiner

Primary Examiner—Bridget L Eland

(74) *Attorney, Agent, or Firm*—St. Onge Steward Johnston & Reens LLC

(57) **CLAIM**

The ornamental design for a handle for a medical instrument, as shown and described.

DESCRIPTION

FIG. 1 is a right side perspective view of a handle for a medical instrument in accordance with the new design;

FIG. 2 is a right side elevation view thereof;

FIG. 3 is a left side elevation view thereof;

FIG. 4 is a top elevation view thereof;

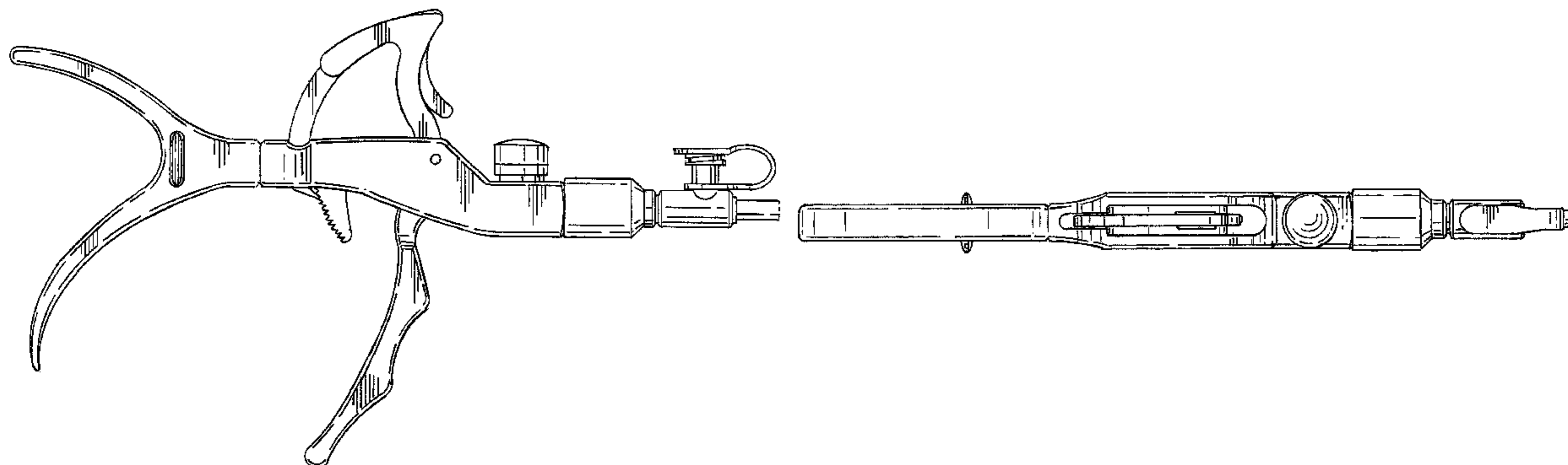
FIG. 5 is a bottom elevation view thereof;

FIG. 6 is a front elevation view thereof; and,

FIG. 7 is a rear elevation view thereof.

The broken line showing in FIGS. 1-6 is included for the purpose of illustrating a portion of the article that forms no part of the claimed design.

1 Claim, 5 Drawing Sheets



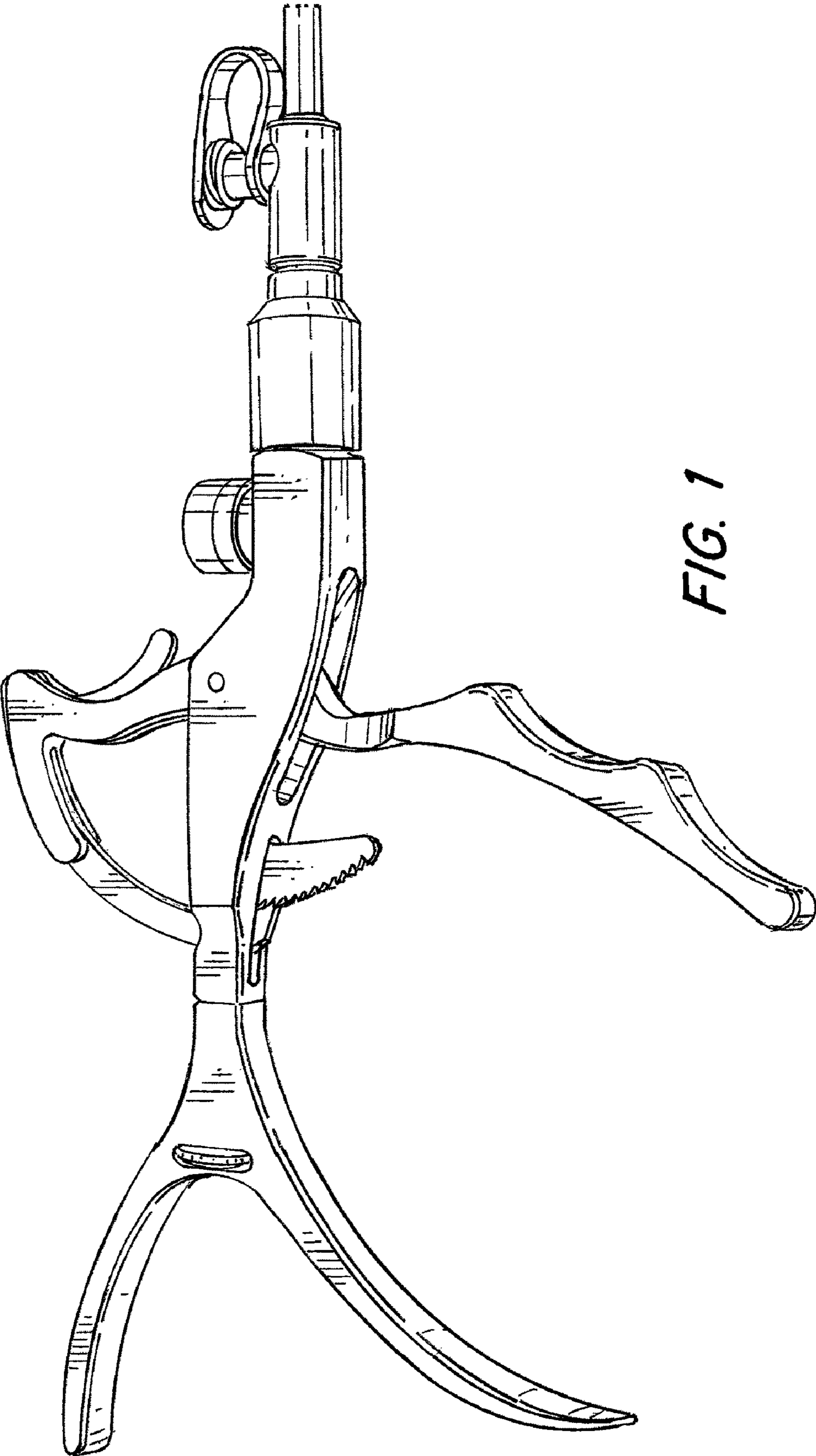


FIG. 1

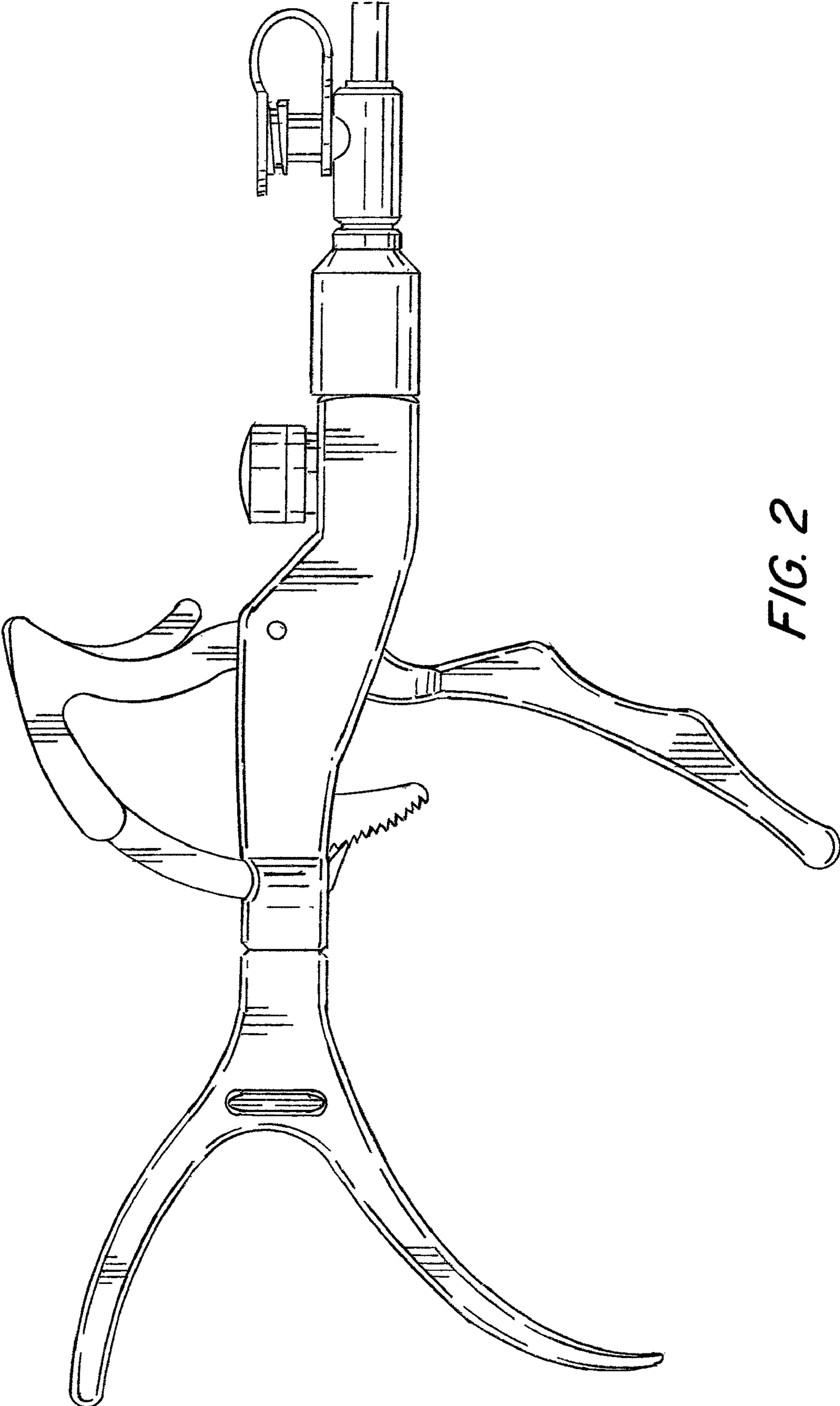


FIG. 2

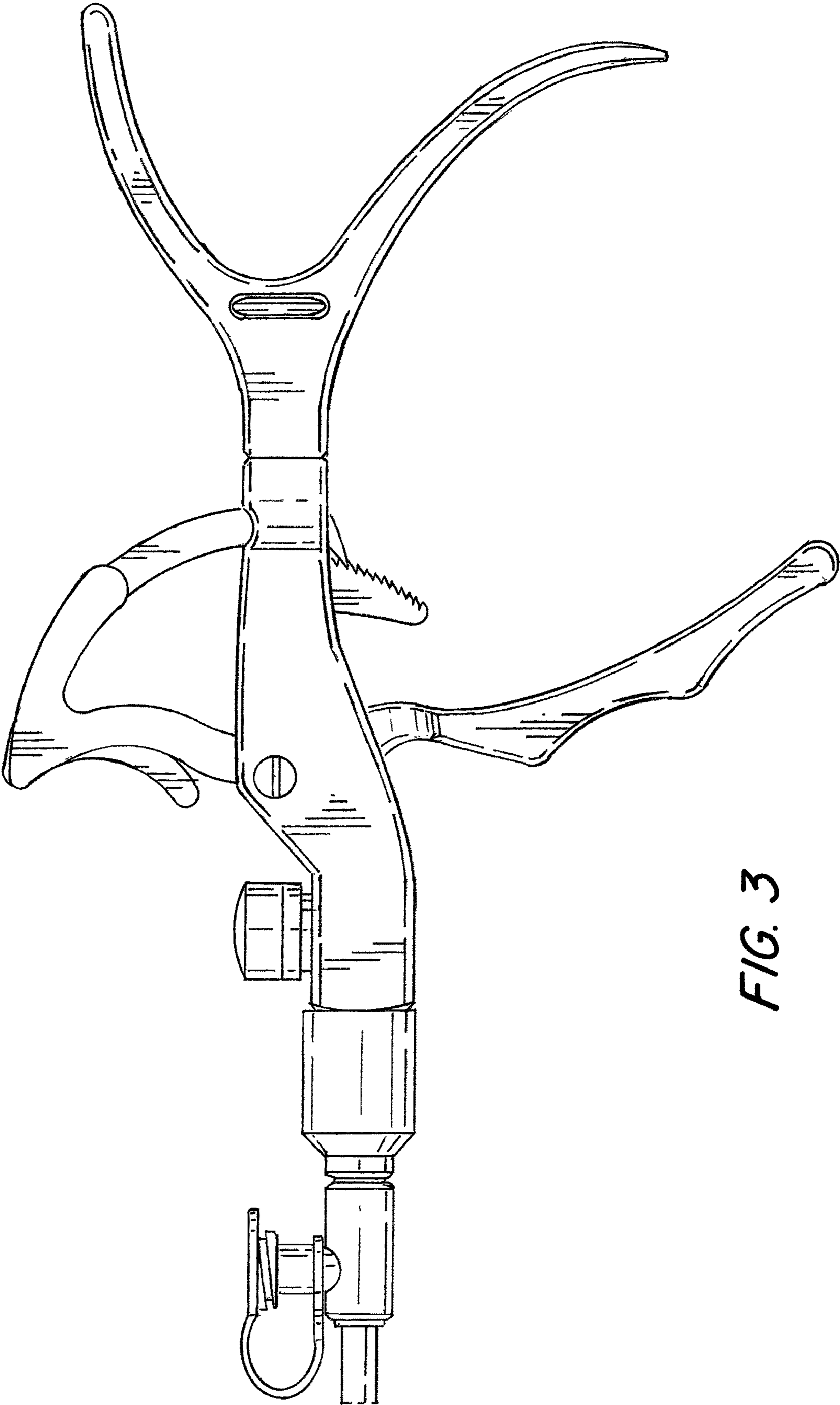


FIG. 3

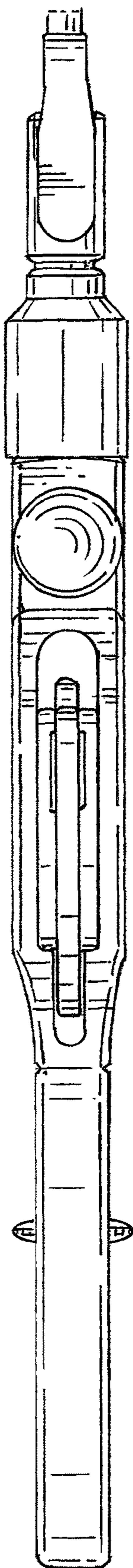


FIG. 4

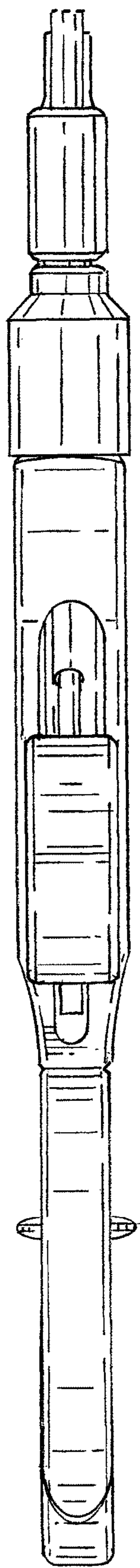


FIG. 5

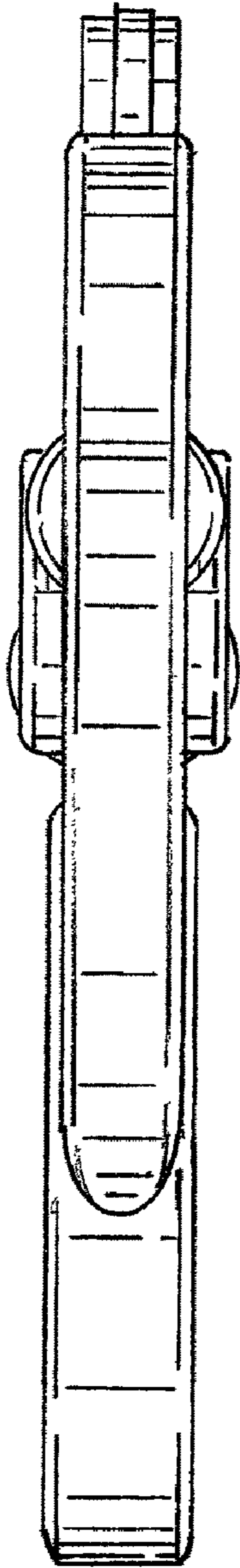


FIG. 7

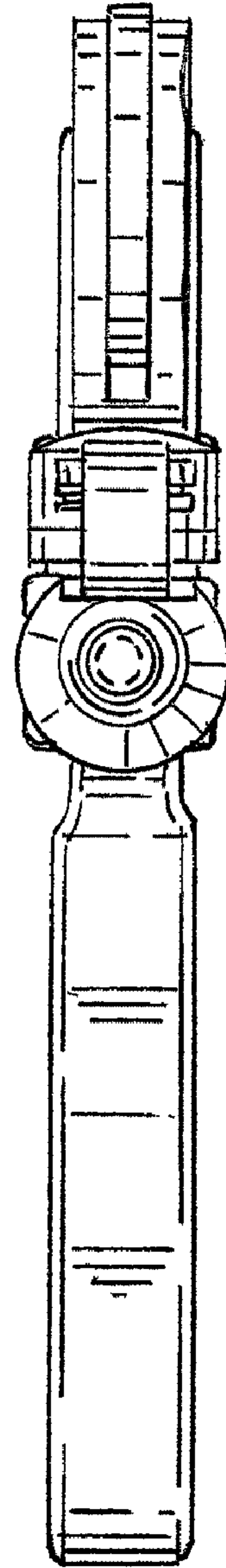


FIG. 6