



US00D621929S

(12) **United States Design Patent**
Van der Stappen

(10) **Patent No.:** **US D621,929 S**
(45) **Date of Patent:** **** Aug. 17, 2010**

(54) **AUTO-INJECTOR**

(75) Inventor: **Luc Van der Stappen**, Mohlin (CH)

(73) Assignee: **F. Hoffmann-La Roche AG**, Basel (CH)

(**) Term: **14 Years**

(21) Appl. No.: **29/337,720**

(22) Filed: **May 28, 2009**

(51) **LOC (9) Cl.** **24-02**

(52) **U.S. Cl.** **D24/130**

(58) **Field of Classification Search** D24/112–114,
D24/127, 130, 133, 186, 104; 604/187, 181,
604/163, 192, 164.08, 158, 232, 263, 184,
604/198, 227; 606/181, 185

See application file for complete search history.

(56) **References Cited**

U.S. PATENT DOCUMENTS

D343,897	S *	2/1994	Rand et al.	D24/112
D375,789	S *	11/1996	Bryant et al.	D24/112
6,746,429	B2 *	6/2004	Sadowski et al.	604/201
7,357,790	B2 *	4/2008	Hommann et al.	604/198
7,442,185	B2 *	10/2008	Amark et al.	604/137
7,449,012	B2 *	11/2008	Young et al.	604/192
D612,486	S *	3/2010	Van der Stappen	D24/113
2004/0039336	A1 *	2/2004	Amark et al.	604/136
2005/0273054	A1 *	12/2005	Asch	604/136
2006/0030819	A1 *	2/2006	Young et al.	604/187
2007/0129686	A1 *	6/2007	Daily et al.	604/192
2007/0135767	A1 *	6/2007	Gillespie et al.	604/135

2008/0228147	A1 *	9/2008	David-Hegerich et al. ..	604/198
2009/0005737	A1 *	1/2009	Chun	604/157
2009/0143810	A1 *	6/2009	Kitamura et al.	606/182
2009/0326477	A1 *	12/2009	Liversidge	604/198

* cited by examiner

Primary Examiner—T. Chase Nelson

Assistant Examiner—Eric L Goodman

(74) *Attorney, Agent, or Firm*—Levenfeld Pearlstein, LLC

(57) **CLAIM**

The ornamental design for an auto-injector, as shown and described.

DESCRIPTION

FIG. 1 is a front perspective view of an auto-injector embodying the principles of my new design;

FIG. 2 is a rear perspective view thereof;

FIG. 3 is a front view thereof;

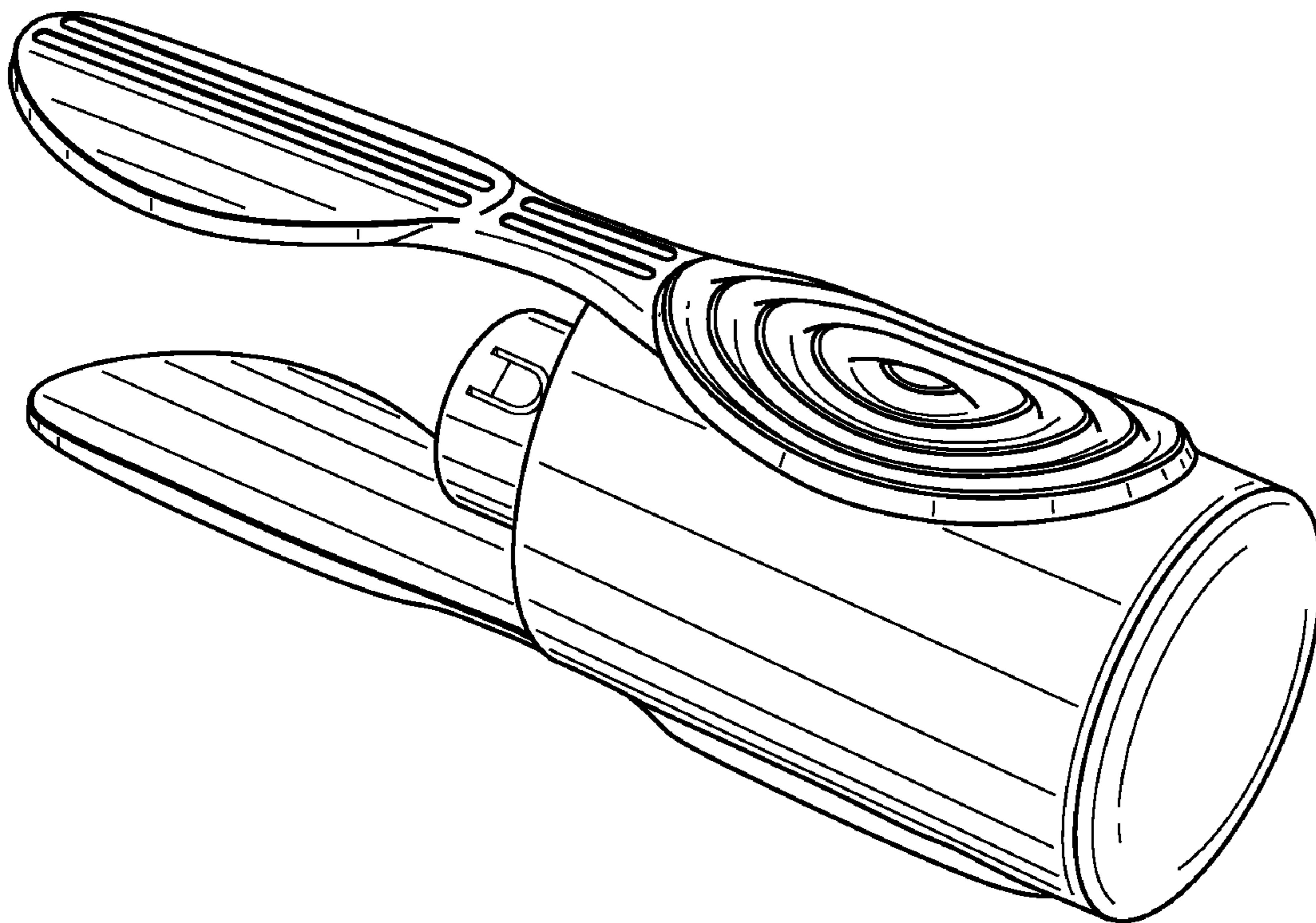
FIG. 4 is a rear view thereof.

FIG. 5 is a side view thereof, the opposite side being a mirror image thereof; and,

FIG. 6 is a top view thereof, the bottom view being a mirror image thereof.

The broken line showing is for purposes of illustrating portions of the article and forms no part of the claimed design. The broken line which defines the bounds of the claimed design forms no part thereof.

1 Claim, 2 Drawing Sheets



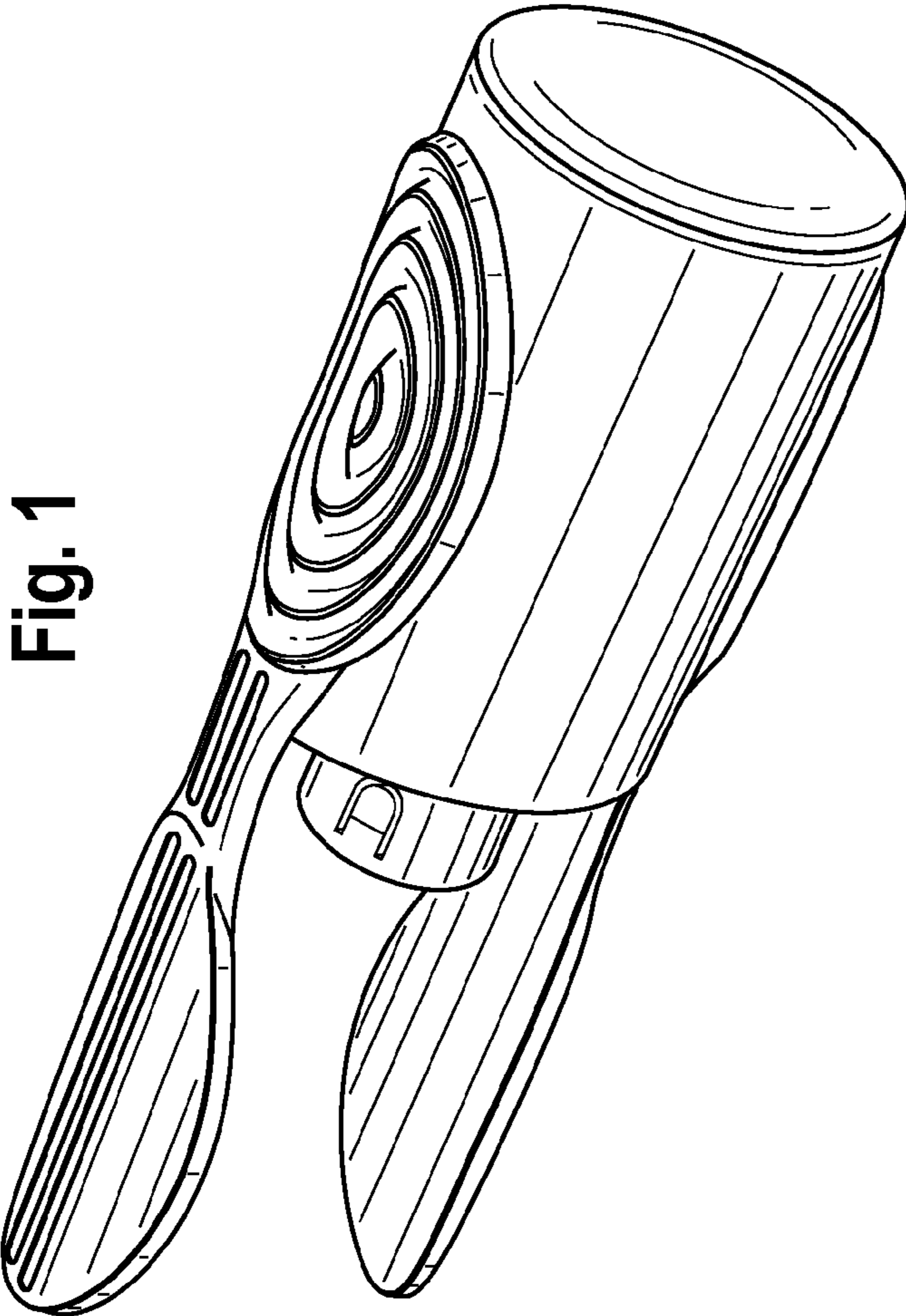


Fig. 1

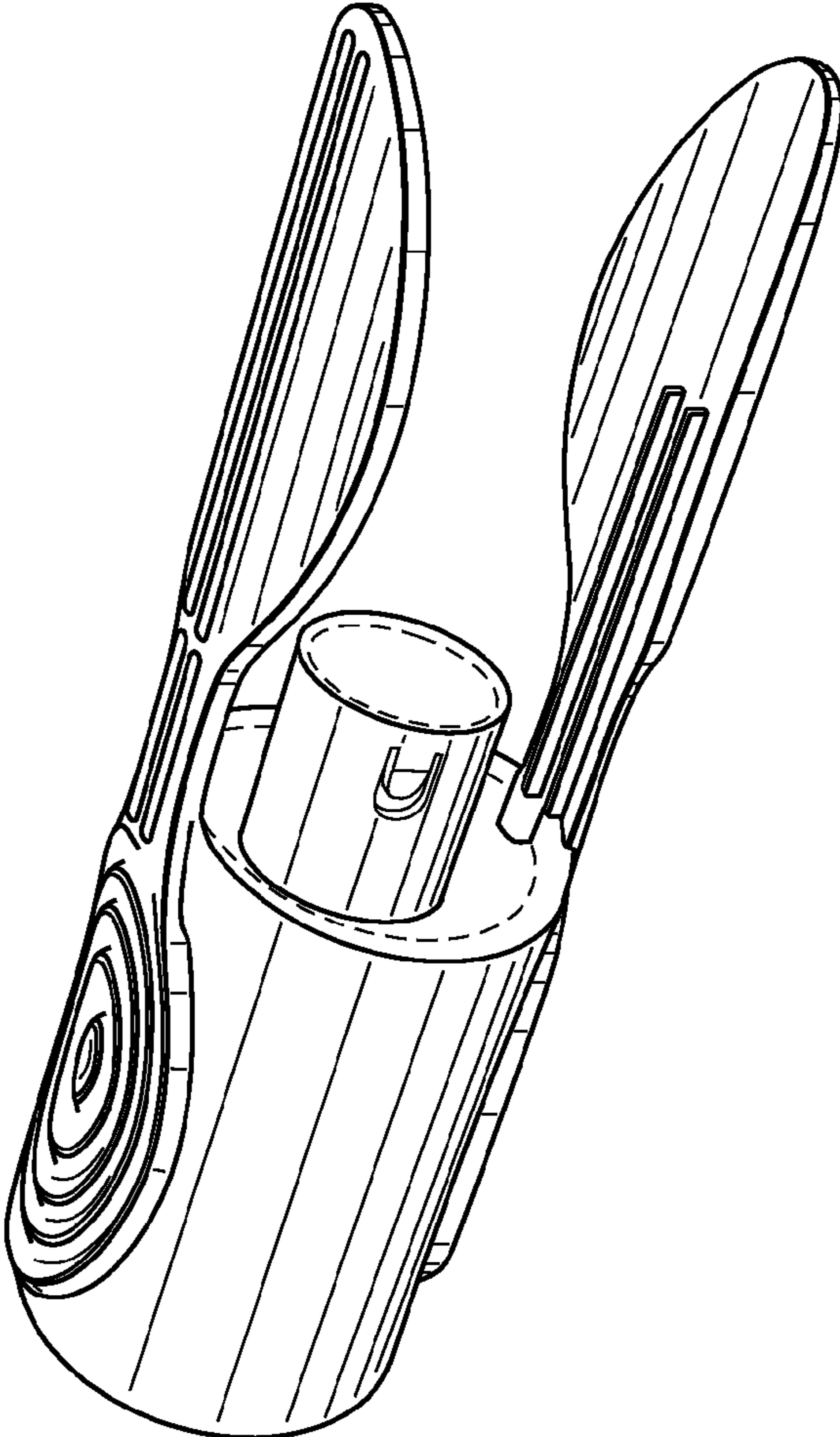


Fig. 2

Fig. 3

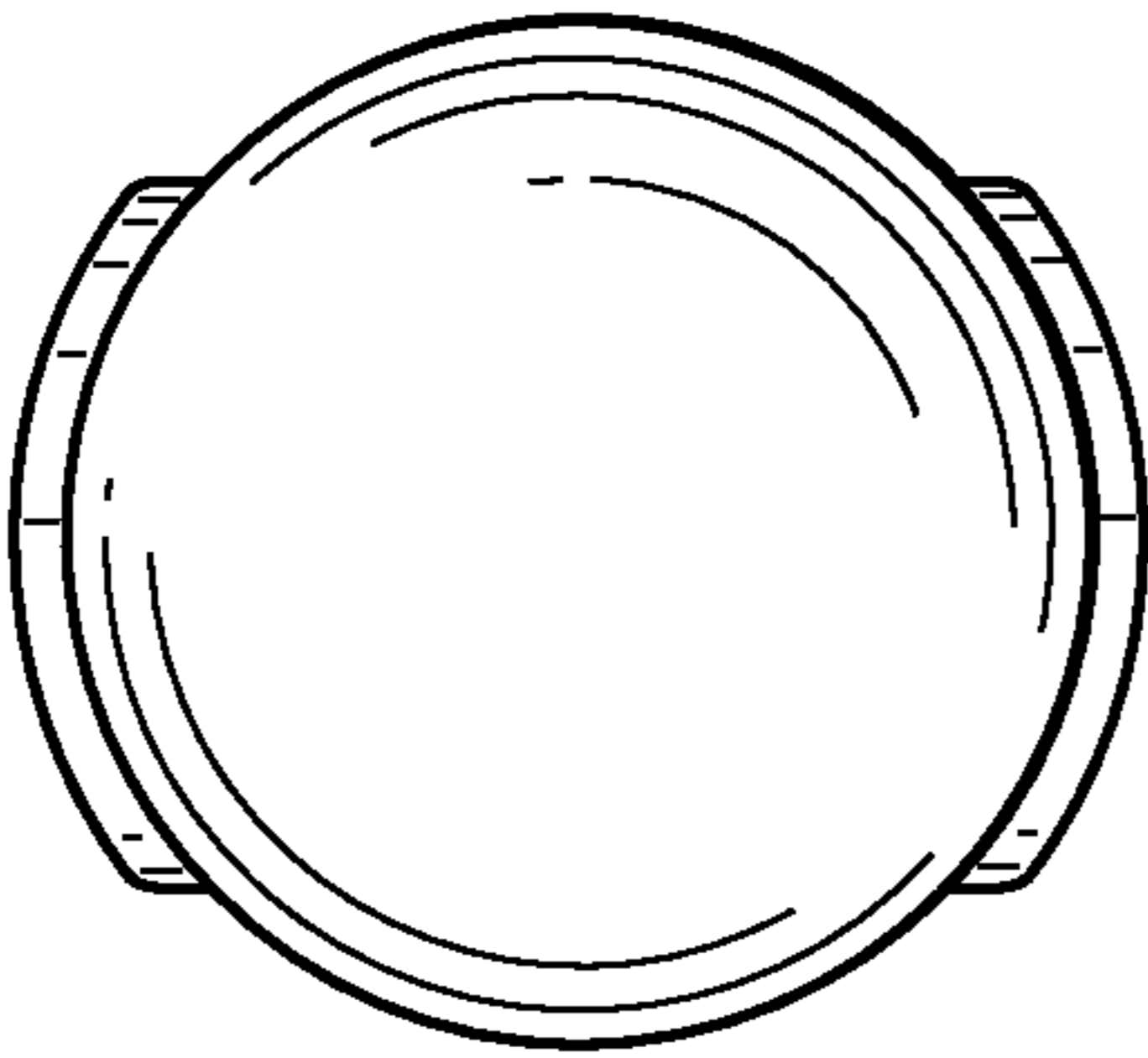


Fig. 5

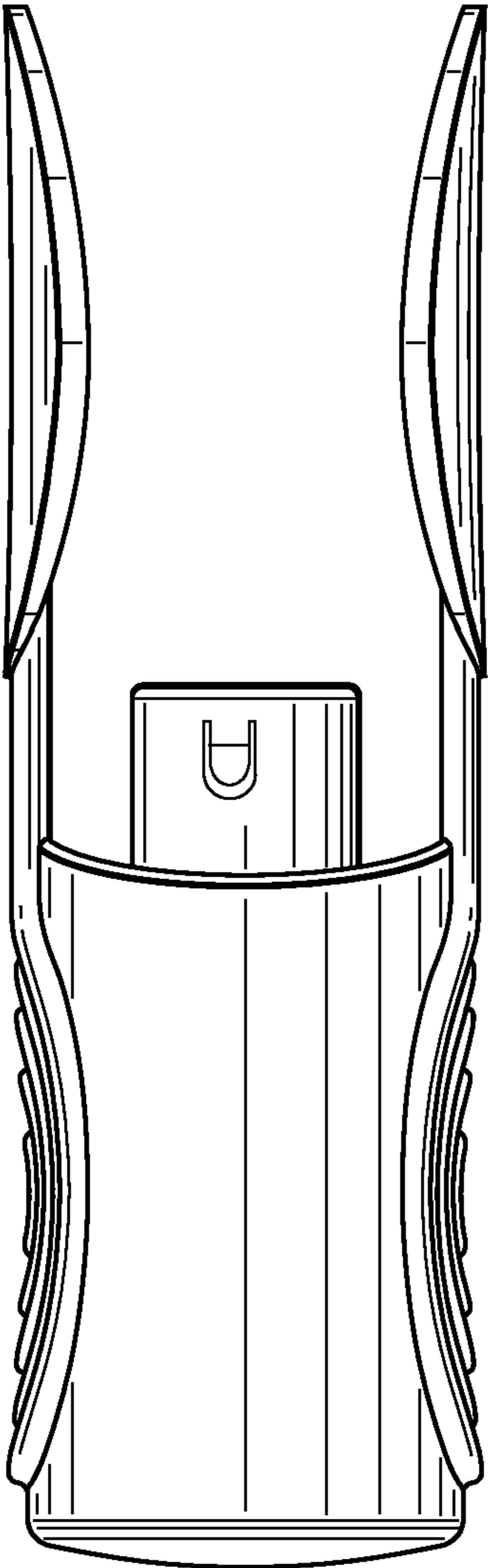


Fig. 4

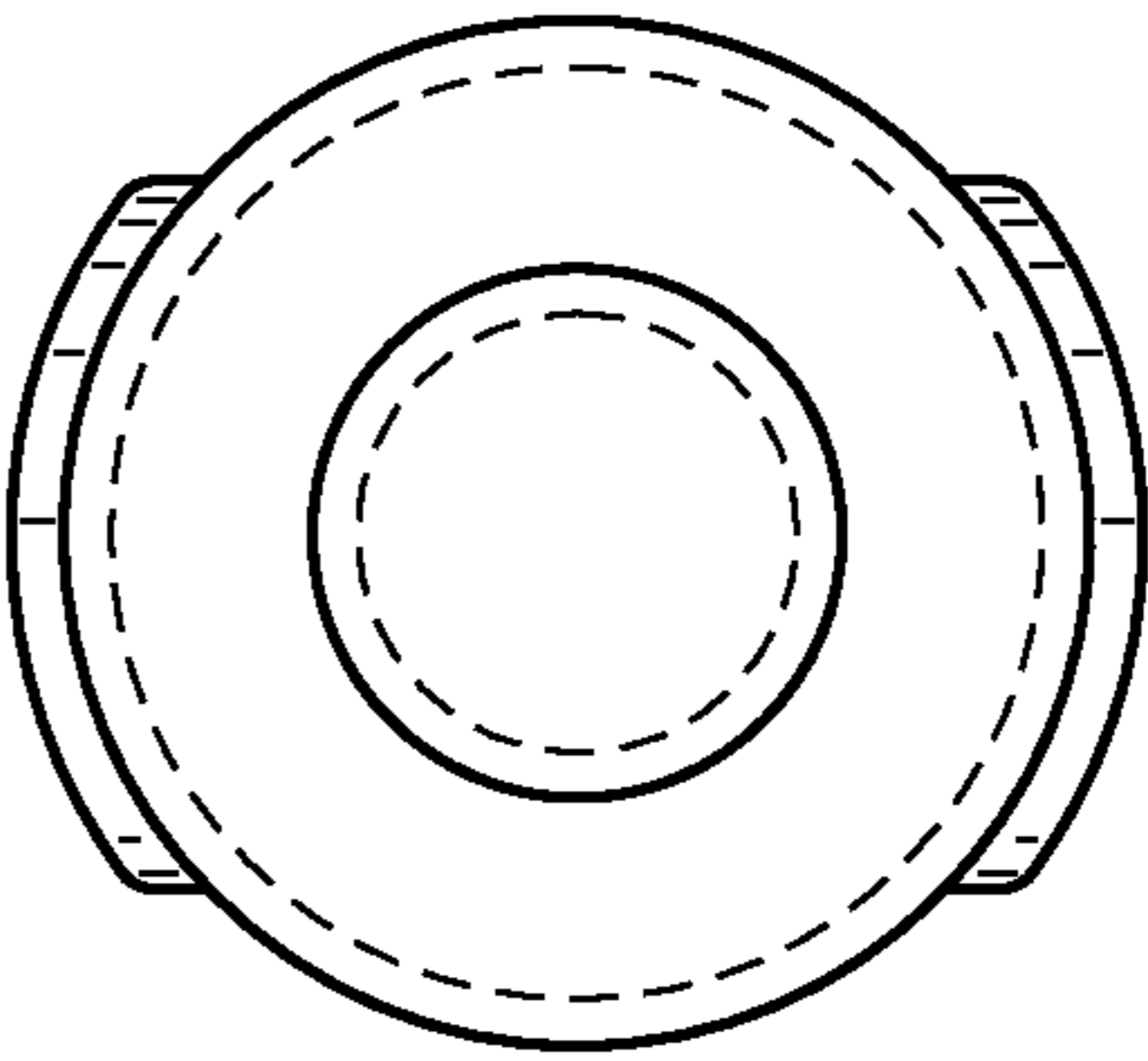


Fig. 6

