



US00D621928S

(12) **United States Design Patent**  
**Tobien**

(10) **Patent No.:** **US D621,928 S**

(45) **Date of Patent:** **\*\* Aug. 17, 2010**

(54) **CHANNEL SEPARATOR**

(75) Inventor: **Peter Tobien**, Tuttlingen (DE)

(73) Assignee: **Karl Storz GmbH & Co. KG** (DE)

(\*\*) Term: **14 Years**

(21) Appl. No.: **29/335,513**

(22) Filed: **Apr. 16, 2009**

(30) **Foreign Application Priority Data**

Oct. 17, 2008 (EM) ..... 001022818-0006

(51) **LOC (9) Cl.** ..... **24-02**

(52) **U.S. Cl.** ..... **D24/129; D24/138**

(58) **Field of Classification Search** ..... D24/108,  
D24/129, 137-138, 133; D14/412, 401,  
D14/413; 600/101, 153, 156, 158, 159; 604/30,  
604/33-35, 39, 119, 118, 246, 19, 32, 36,  
604/40, 43, 27

See application file for complete search history.

(56) **References Cited**

**U.S. PATENT DOCUMENTS**

5,188,591	A *	2/1993	Dorsey, III	.....	604/33
5,197,948	A *	3/1993	Ghodsian	.....	604/30
5,242,387	A *	9/1993	Loughlin	.....	604/43
5,254,083	A *	10/1993	Gentelia et al.	.....	604/35
5,334,140	A *	8/1994	Phillips	.....	604/35
5,348,555	A *	9/1994	Zinnanti	.....	604/33
5,391,145	A *	2/1995	Dorsey, III	.....	604/33
D365,631	S *	12/1995	Lusby et al.	.....	D24/129
5,496,270	A *	3/1996	Nettekoven	.....	604/30

D380,544	S *	7/1997	Sandock	.....	D24/108
D445,182	S *	7/2001	Haynes	.....	D24/129
6,309,347	B1 *	10/2001	Takahashi et al.	.....	600/159
6,383,132	B1 *	5/2002	Wimmer	.....	600/159
6,406,470	B1 *	6/2002	Kierce	.....	604/243
6,986,736	B2 *	1/2006	Williams et al.	.....	600/101
D537,162	S *	2/2007	Bacher et al.	.....	D24/133
D548,328	S *	8/2007	Fedenia et al.	.....	D24/108
D553,242	S *	10/2007	Fedenia et al.	.....	D24/108
D593,674	S *	6/2009	Fedenia et al.	.....	D24/108
2006/0173239	A1 *	8/2006	Neumann et al.	.....	600/101
2009/0264703	A1 *	10/2009	Pribanic	.....	600/121

\* cited by examiner

*Primary Examiner*—Ian Simmons

*Assistant Examiner*—Wan Laymon

(74) *Attorney, Agent, or Firm*—St. Onge Steward Johnston & Reens LLC

(57) **CLAIM**

The ornamental design for a channel separator, as shown and described.

**DESCRIPTION**

FIG. 1 is a side perspective view of a channel separator in accordance with the new design;

FIG. 2 is a side view thereof;

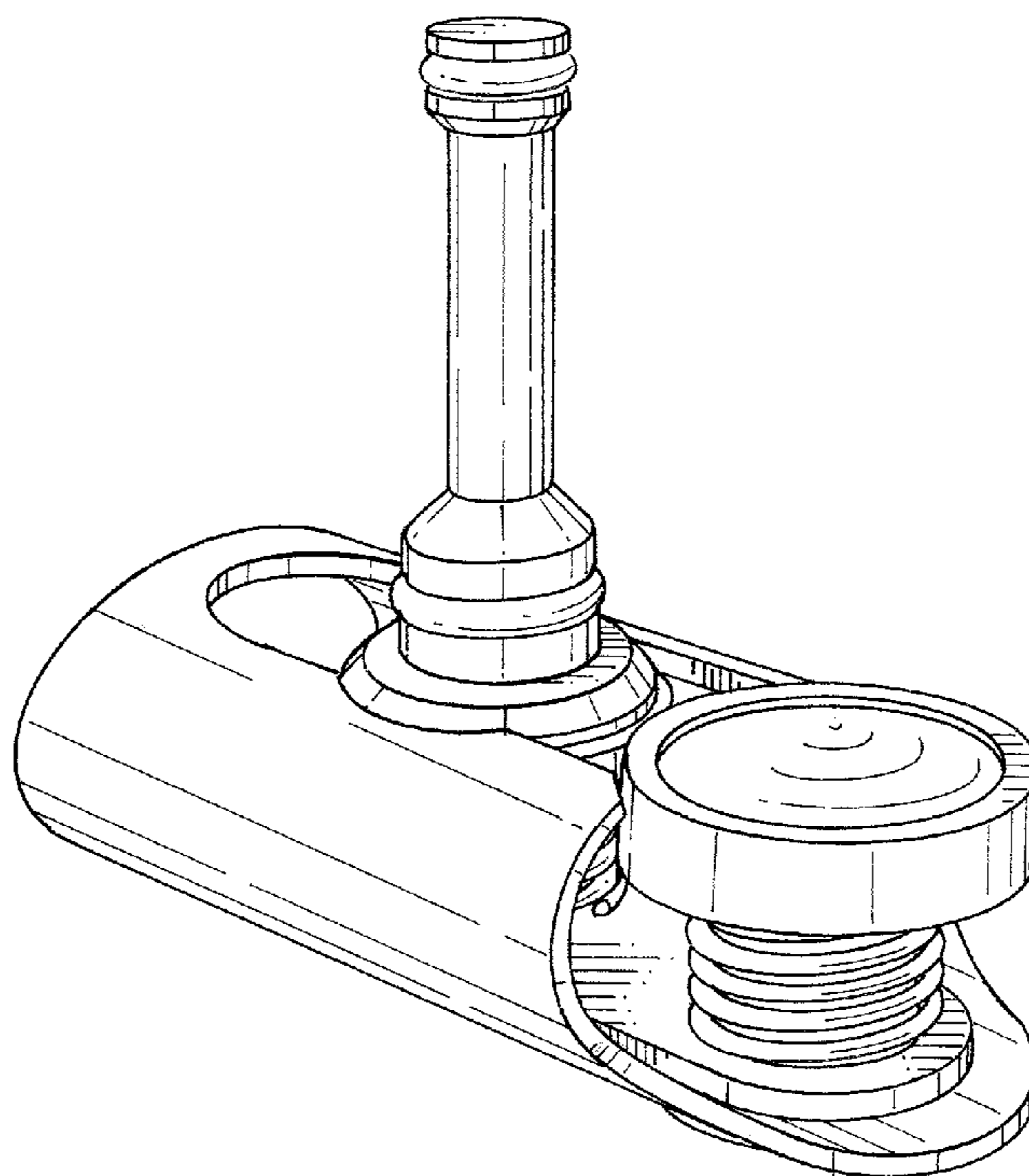
FIG. 3 is a front view thereof;

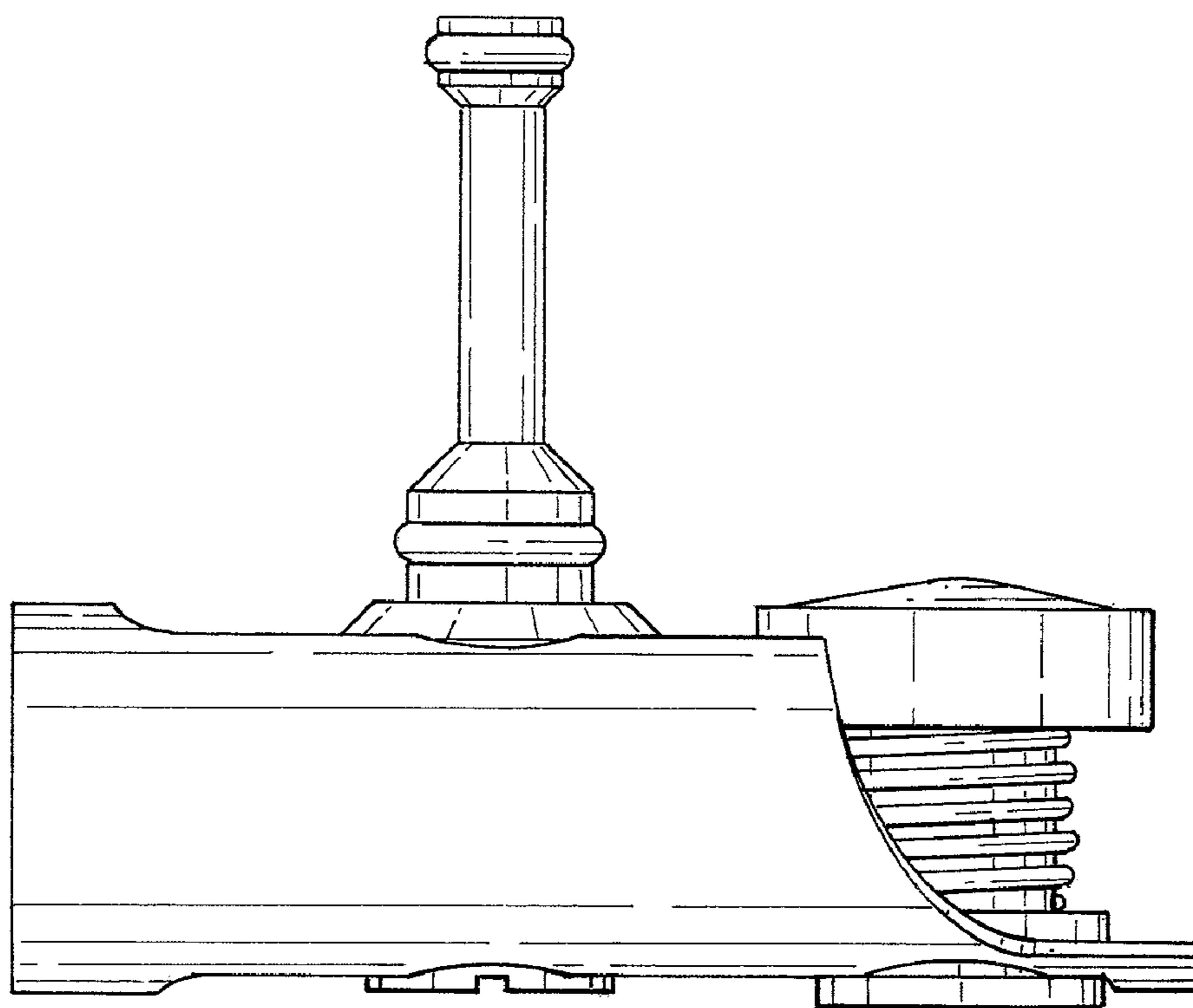
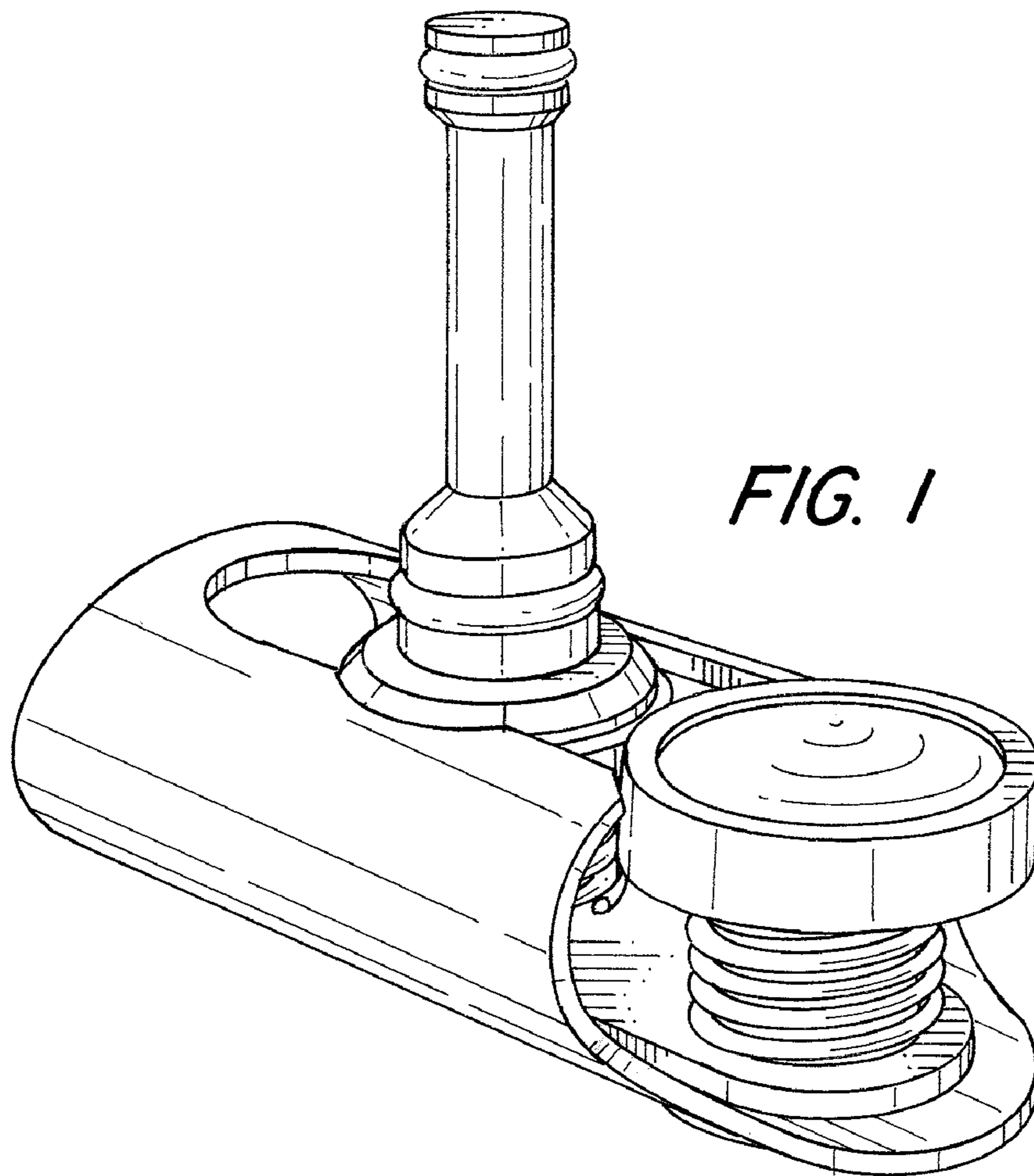
FIG. 4 is a rear view thereof;

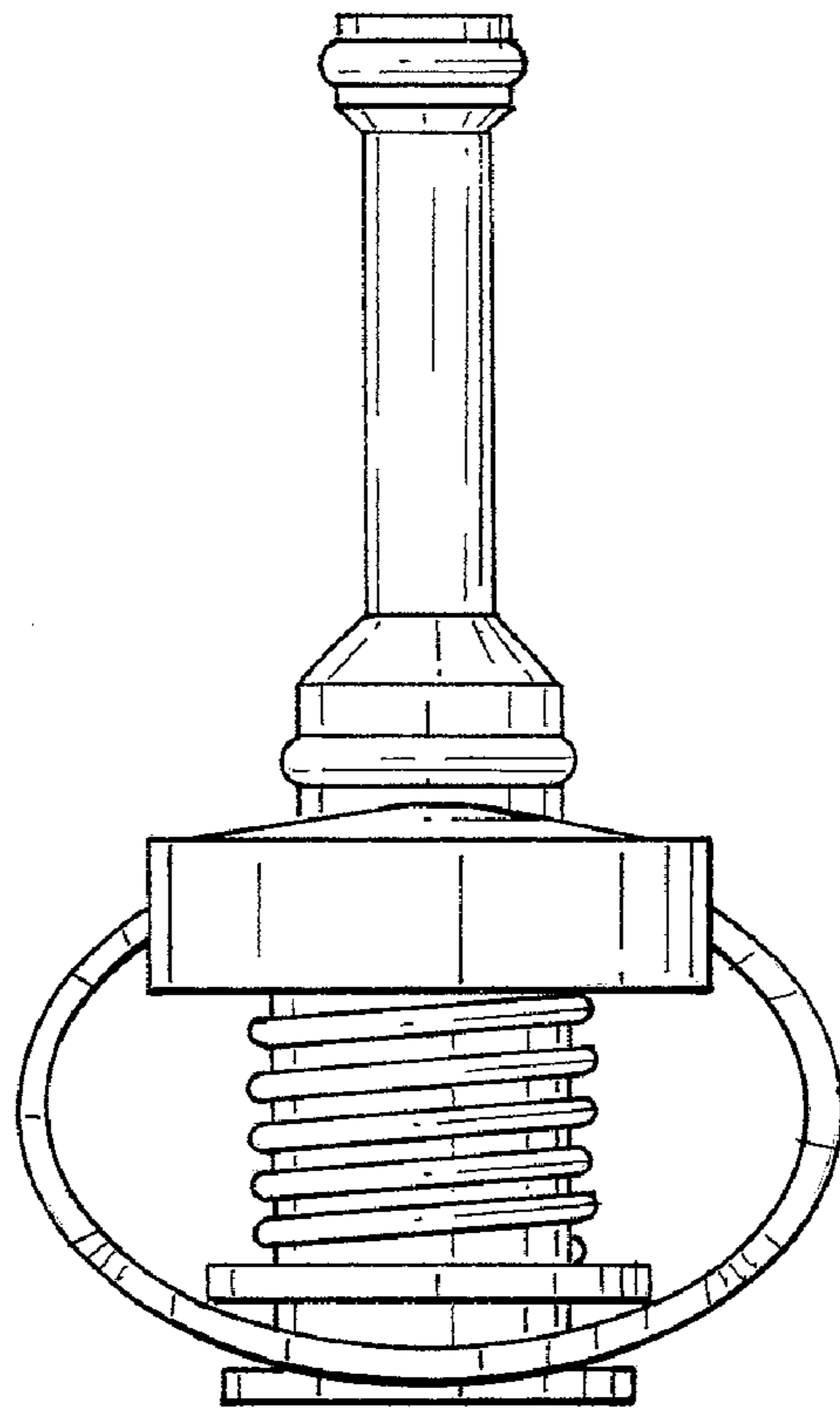
FIG. 5 is a top view thereof; and,

FIG. 6 is a bottom view thereof.

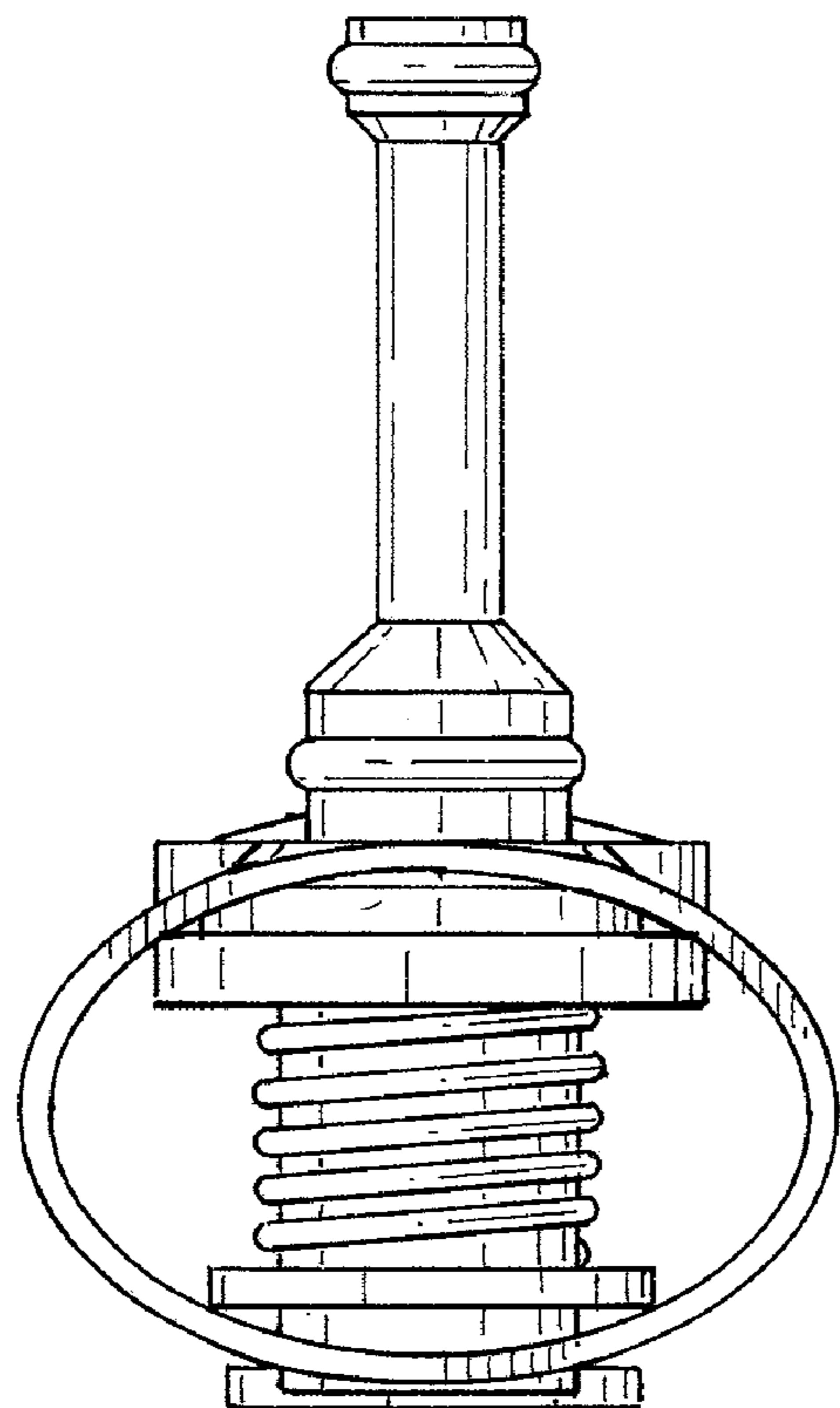
**1 Claim, 3 Drawing Sheets**



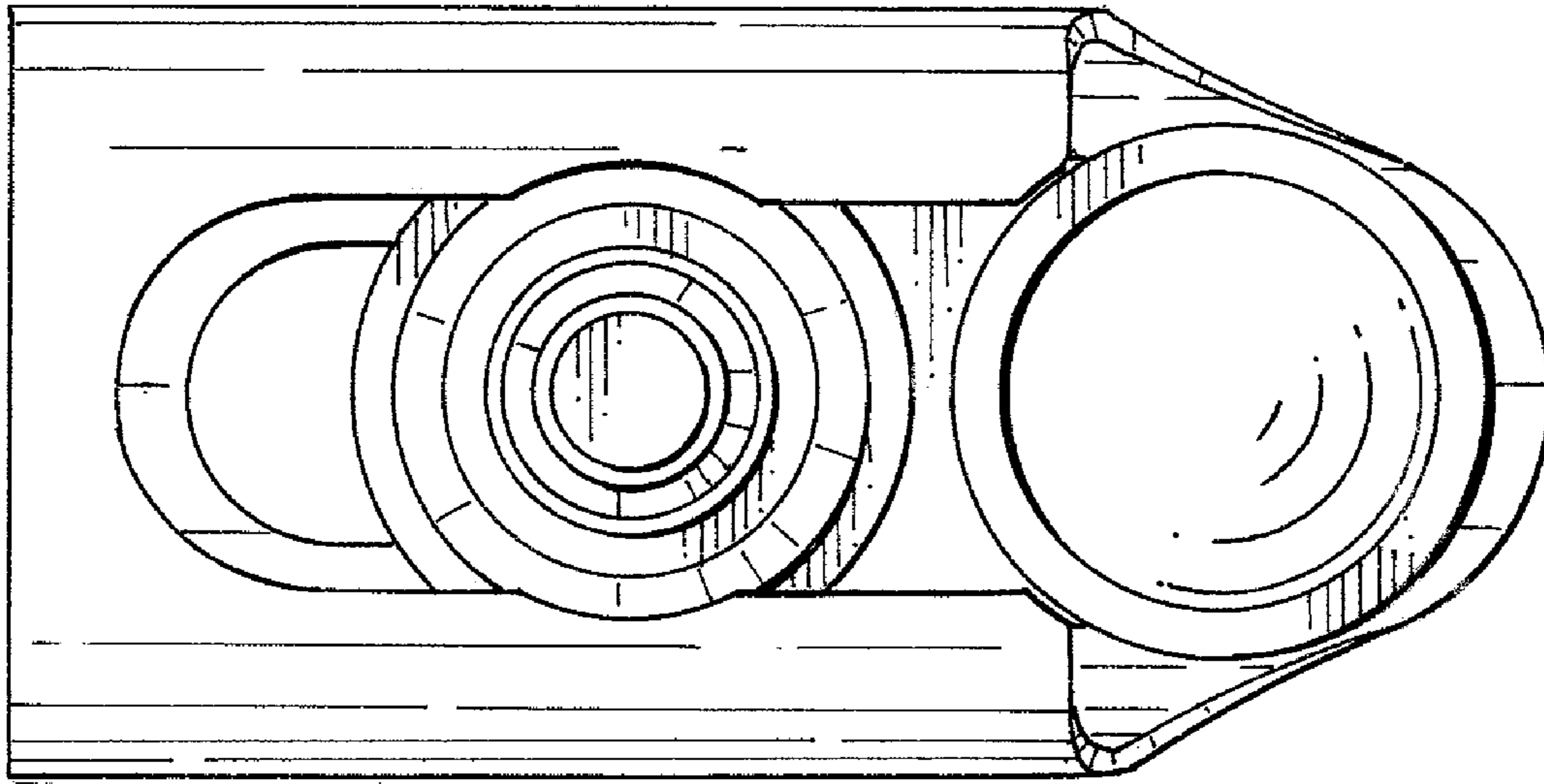




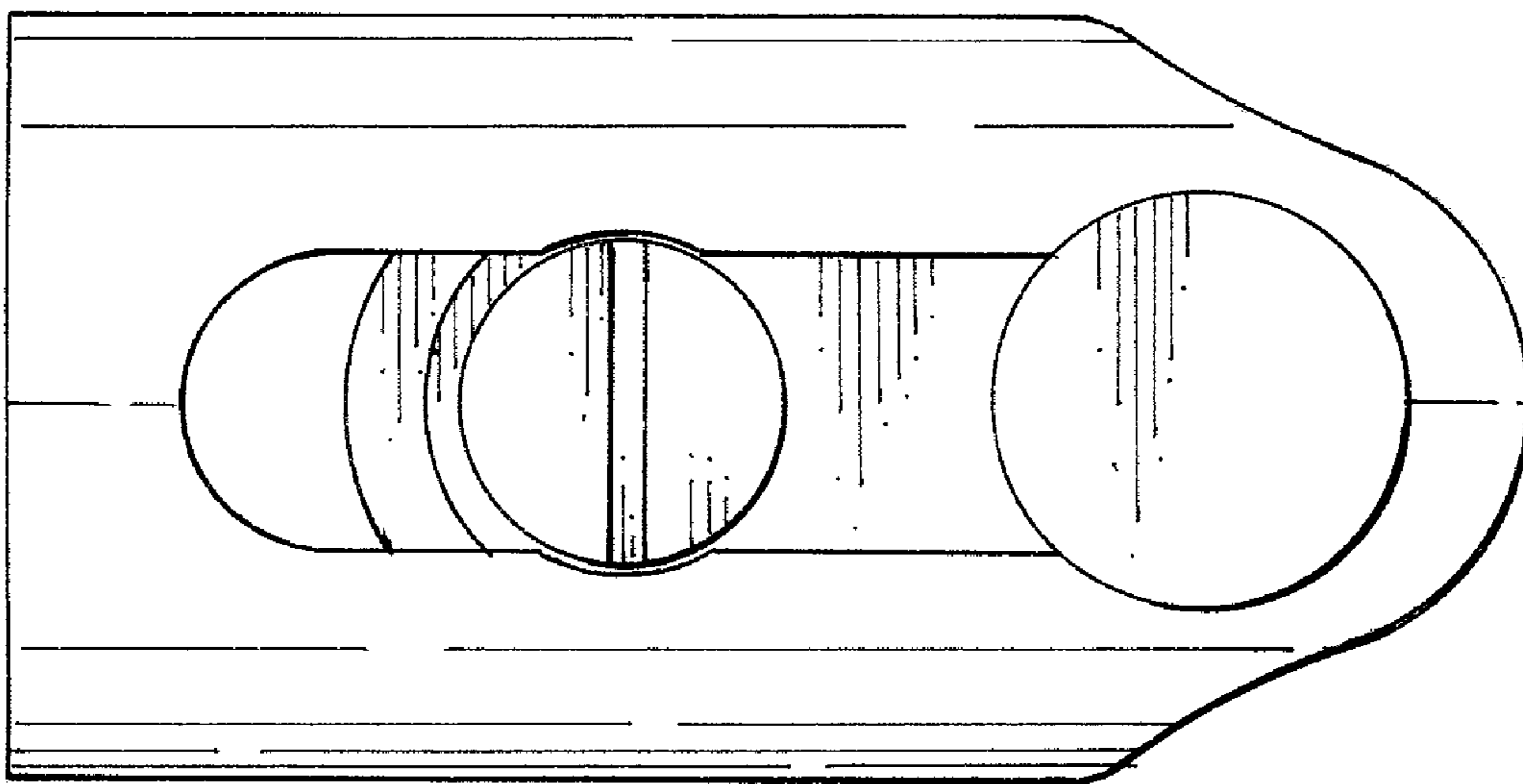
*FIG. 3*



*FIG. 4*



*FIG. 5*



*FIG. 6*