



US00D621924S

(12) **United States Design Patent**  
**Achen**

(10) **Patent No.:** **US D621,924 S**  
(45) **Date of Patent:** **\*\* Aug. 17, 2010**

(54) **COMBUSTION AIR VENT WITH FLAT TOP AND BOTTOM RETAINERS AND BEVELED EDGE**

(76) Inventor: **John J. Achen**, 12432 Del Rico, Yuma, AZ (US) 85367

(\*\*) Term: **14 Years**

(21) Appl. No.: **29/354,493**

(22) Filed: **Jan. 25, 2010**

(51) **LOC (9) Cl.** ..... **23-04**

(52) **U.S. Cl.** ..... **D23/388**

(58) **Field of Classification Search** ..... D23/385-395, D23/397, 370-373, 365, 351, 354, 399-403; 454/309, 275-277, 283, 284, 287-291  
See application file for complete search history.

(56) **References Cited**

U.S. PATENT DOCUMENTS

2,034,231	A *	3/1936	Fox	.....	D23/388
D108,821	S	3/1938	Pineau		
2,222,081	A *	11/1940	Leigh	.....	D23/388
2,930,309	A *	3/1960	Prager	.....	454/283
2,949,842	A	8/1960	Crandall		
3,203,079	A *	8/1965	Smith et al.	.....	454/309
3,232,205	A *	2/1966	Bumstead	.....	454/275
3,245,224	A *	4/1966	Wilkinson	.....	454/309
D222,724	S	12/1971	Zampetti et al.		
D247,947	S	5/1978	Noll		
4,550,648	A *	11/1985	Eagle	.....	454/275
5,120,273	A *	6/1992	Lin	.....	454/277
5,372,543	A *	12/1994	Steele	.....	454/276
5,720,660	A *	2/1998	Benedetto et al.	.....	454/284
5,976,009	A *	11/1999	Achen	.....	454/277
D492,401	S	6/2004	Achen		

D493,880	S	8/2004	Achen		
D494,669	S	8/2004	Achen		
6,875,102	B2 *	4/2005	Achen	.....	454/276
D507,048	S	7/2005	Achen		
D520,626	S	5/2006	Angers et al.		
D521,630	S	5/2006	Achen		
D526,402	S	8/2006	Achen		
D576,723	S	9/2008	Achen		
D582,029	S	12/2008	Achen		
D613,393	S *	4/2010	Dorsey et al.	.....	D23/397

\* cited by examiner

*Primary Examiner*—T. Chase Nelson

*Assistant Examiner*—David G Muller

(74) *Attorney, Agent, or Firm*—The von Hellens Law Firm, Ltd.

(57) **CLAIM**

The ornamental design for a combustion air vent with flat top and bottom retainers and beveled edge, as shown and described.

**DESCRIPTION**

FIG. 1 is an exploded view illustrating the components of my combustion air vent with top and bottom retainers;

FIG. 2 is a front elevational view thereof;

FIG. 3 is a top view thereof;

FIG. 4 is a rear elevation view thereof, with the rears of the louvers partially shown to more clearly illustrate the screen.

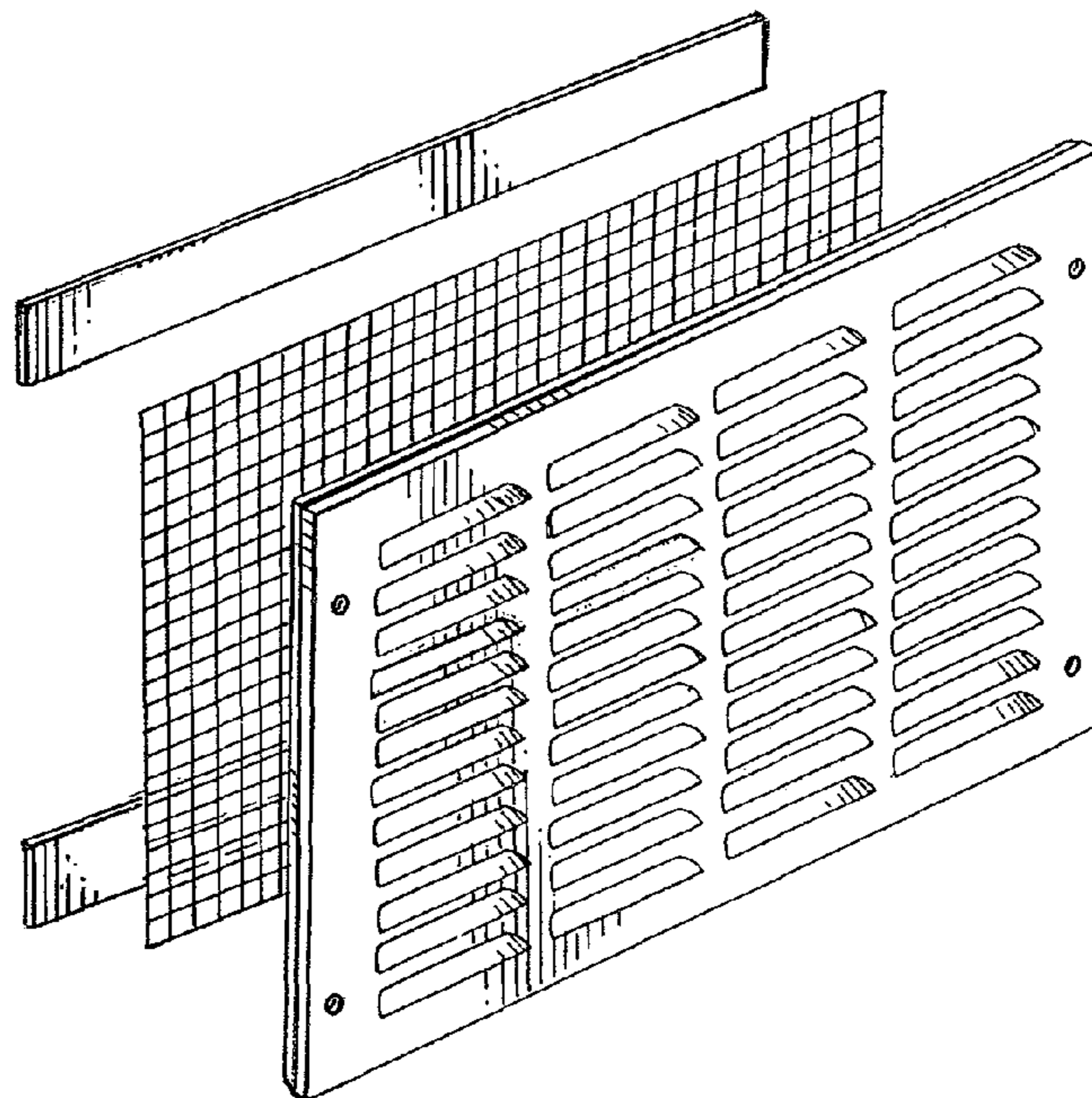
FIG. 5 is a bottom view thereof;

FIG. 6 is a right side elevational view thereof;

FIG. 7 is a left side elevational view thereof; and,

FIG. 8 is a partial view showing the beveled edge.

**1 Claim, 3 Drawing Sheets**



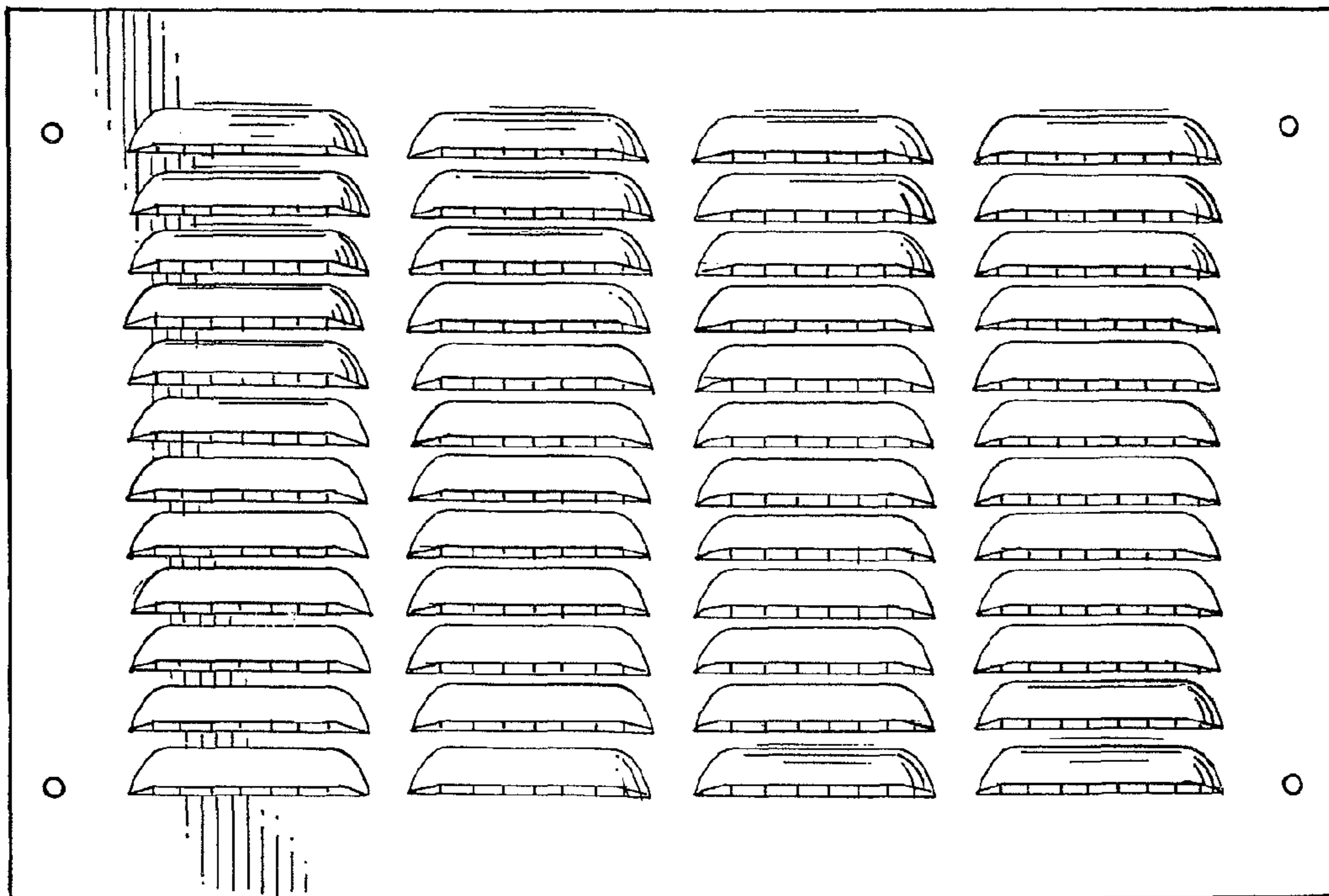
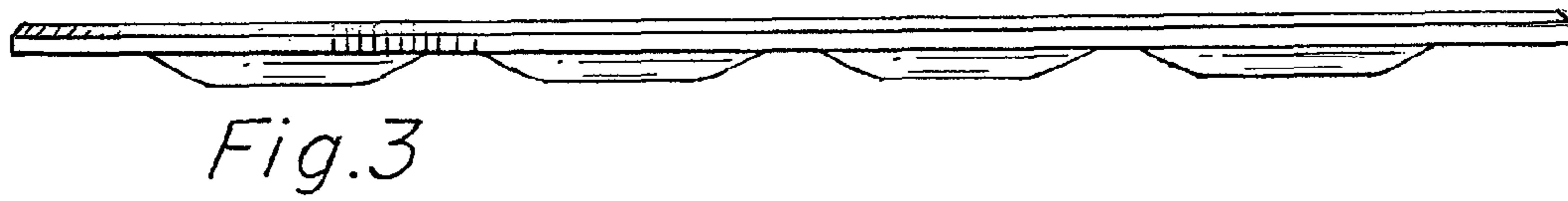
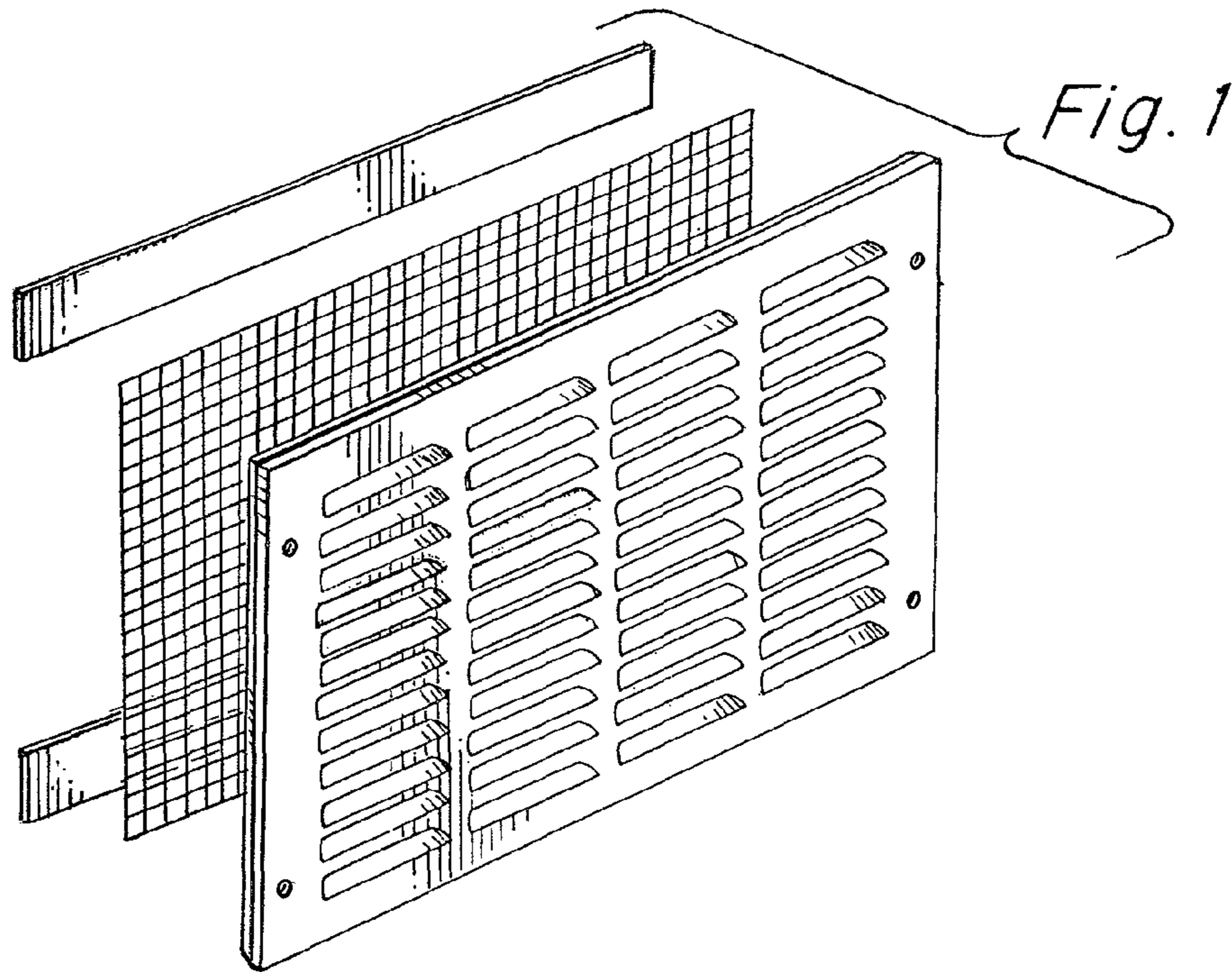


Fig. 2



Fig. 7

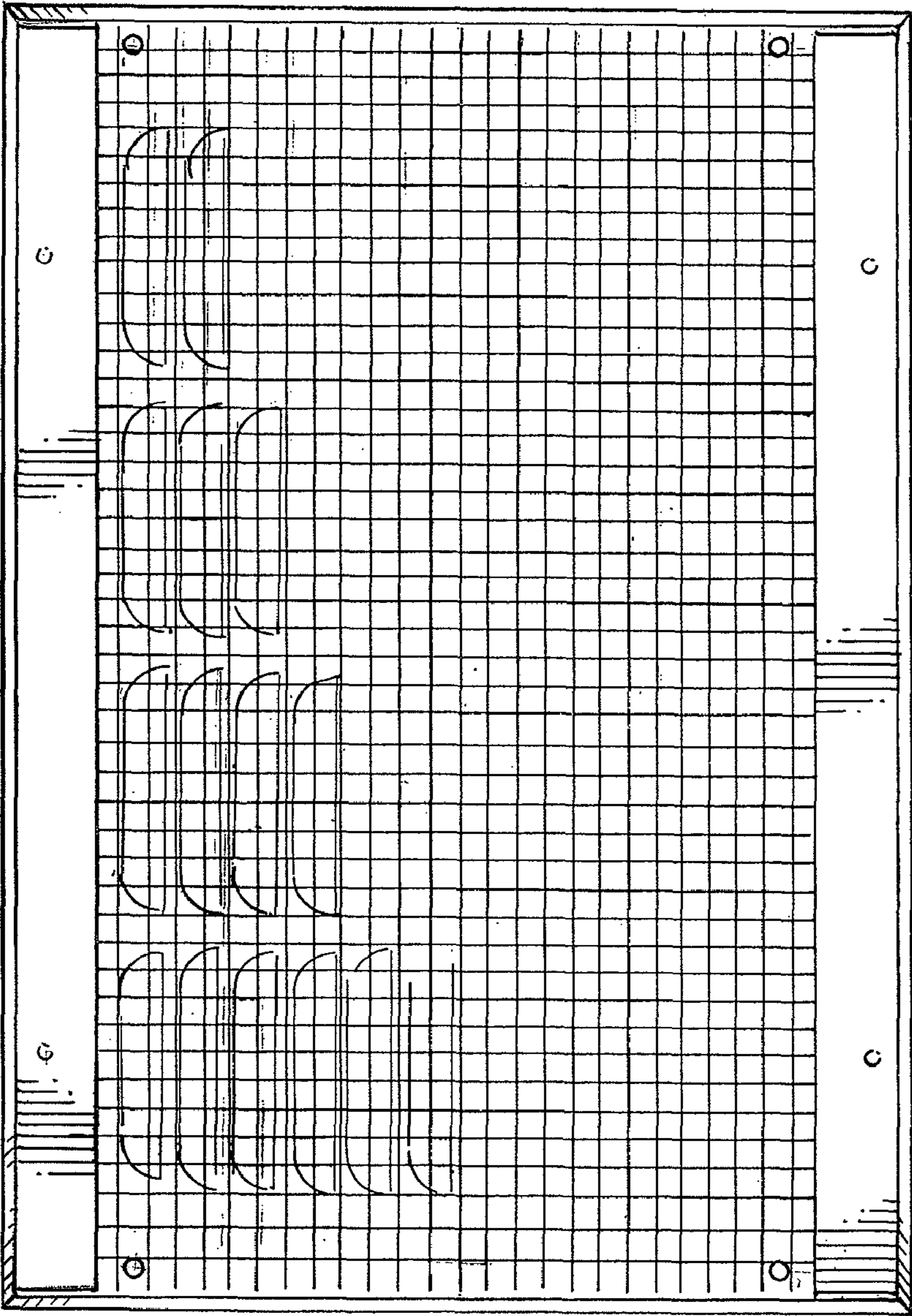


Fig. 4

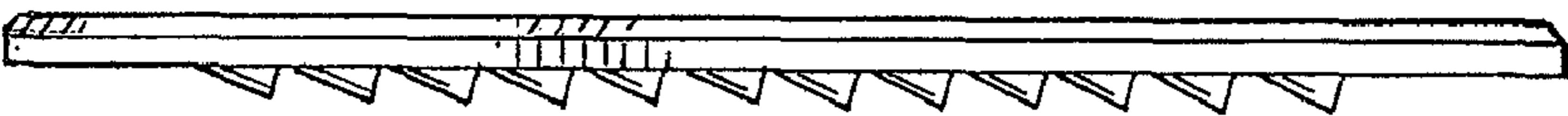
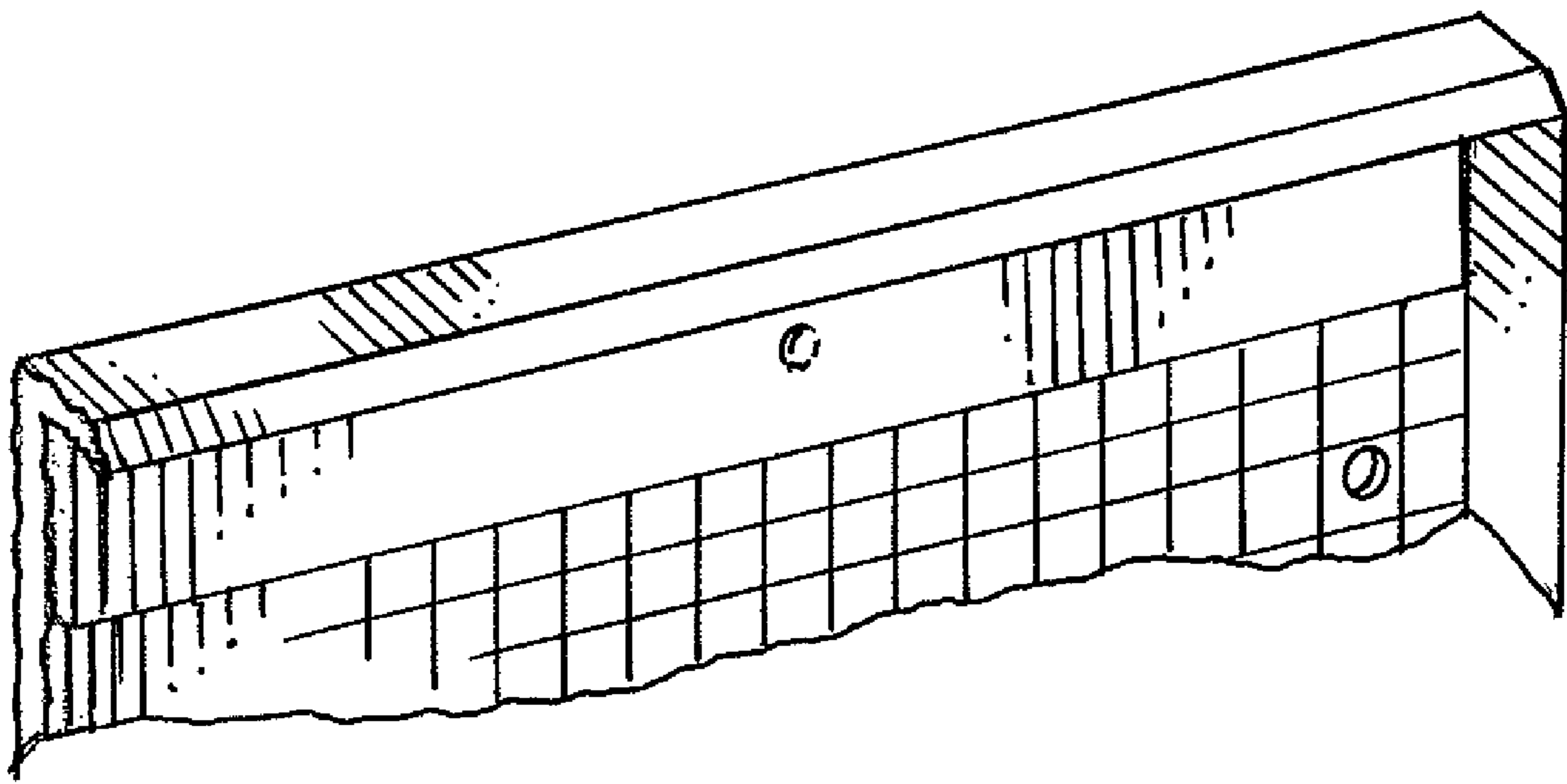


Fig. 6



Fig. 5



*Fig. 8*