



US00D621923S

(12) **United States Design Patent**
Koenig et al.

(10) **Patent No.:** **US D621,923 S**
(45) **Date of Patent:** **** Aug. 17, 2010**

(54) **AIR FRESHENING DEVICE**

D373,626 S * 9/1996 Dente et al. D23/366

(75) Inventors: **John William Koenig**, Cincinnati, OH (US); **Bryan Gabriel Comstock**, Mason, OH (US); **Thomas George Crowe**, Lawrenceburg, IN (US); **John Allen Wootton**, New Richmond, OH (US); **Ryan Patrick Dullea**, Cincinnati, OH (US); **Dana Paul Gruenbacher**, Fairfield, OH (US); **Walter Sordo**, Trento (IT); **Danilo Rossi**, Trento (IT); **Rainer Bernhard Teufel**, Worthington, OH (US); **Richard Lee Lane**, Columbus, OH (US)

(Continued)

OTHER PUBLICATIONS

Refresh your day-Air Freshners for your home, car, and office. <http://www.refreshyourday.com/products.php> HandStands, 675 W 14800, S Bluffdale, UT 84065, Apr. 16, 2009.

(Continued)

Primary Examiner—Sandra Snapp

(74) *Attorney, Agent, or Firm*—Julia A. Glazer; Leonard W. Lewis; Steven W. Miller

(73) Assignee: **The Procter & Gamble Company**, Cincinnati, OH (US)

(**) Term: **14 Years**

(57) **CLAIM**

(21) Appl. No.: **29/355,934**

The ornamental design for an air freshening device, as shown and described.

(22) Filed: **Feb. 17, 2010**

Related U.S. Application Data

DESCRIPTION

(62) Division of application No. 29/335,463, filed on Apr. 16, 2009, now Pat. No. Des. 613,388.

(51) **LOC (9) Cl.** **28-99**

(52) **U.S. Cl.** **D23/366**

(58) **Field of Classification Search** D23/355-369; D28/5, 6; 261/DIG. 17, DIG. 42, DIG. 65, 261/DIG. 88, DIG. 89; 392/386, 390, 391, 392/392, 394, 395, 389, 393; 239/34, 35, 239/43-45, 53, 56, 57, 60, 326, 42, 50, 55

See application file for complete search history.

FIG. 1 is a perspective view of an air freshening device.

FIG. 2 is a front view of the air freshening device.

FIG. 3 is a left side view of the air freshening device.

FIG. 4 is a right side view of the air freshening device.

FIG. 5 is a back view of the air freshening device.

FIG. 6 is a top view of the air freshening device; and,

FIG. 7 is a bottom view of the air freshening device.

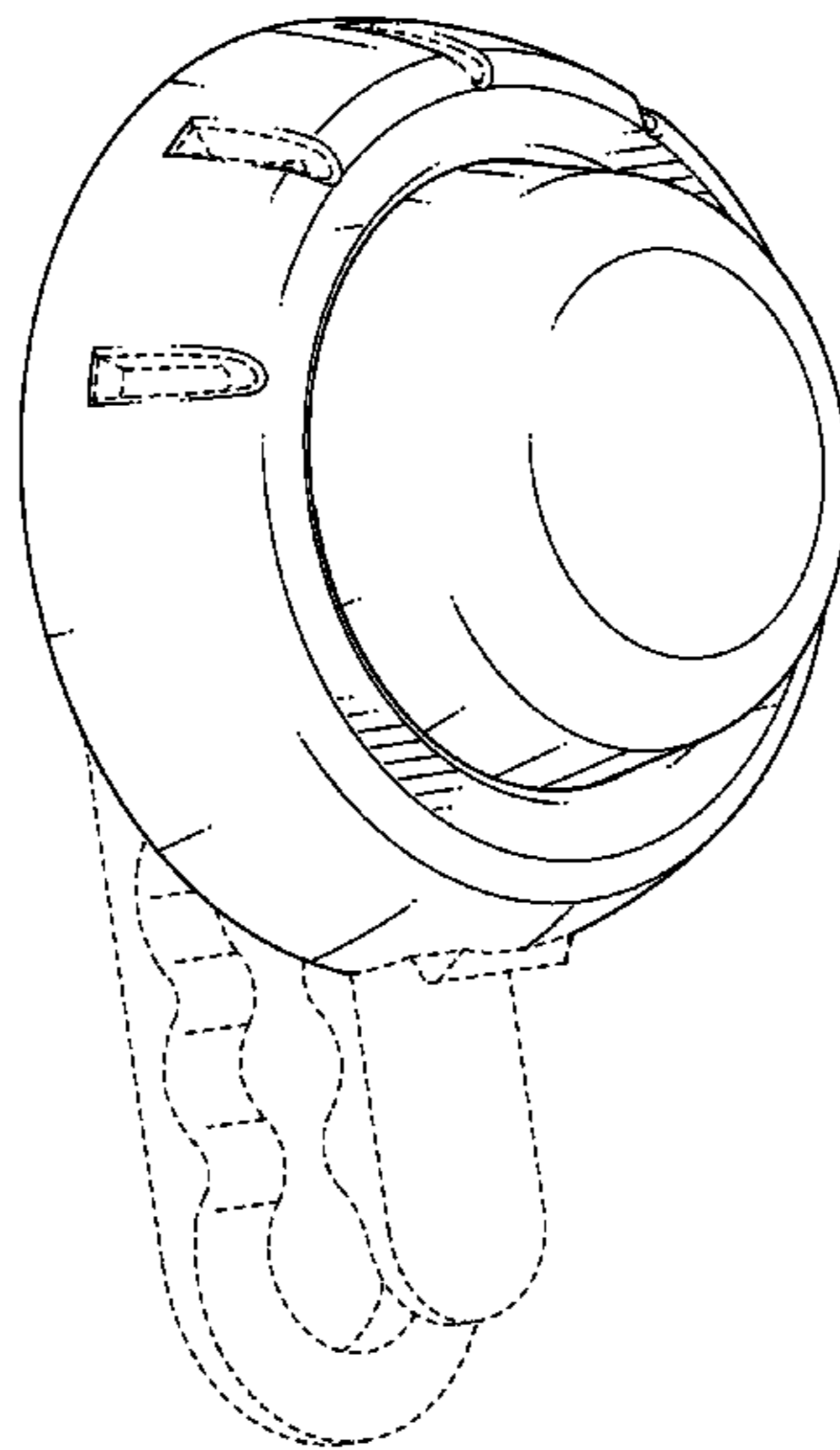
The broken line showing of environmental structure in FIGS. 1-7 is for illustrative purposes only and forms no part of the claimed design.

(56) **References Cited**

U.S. PATENT DOCUMENTS

D334,975 S * 4/1993 Bunce et al. D23/366

1 Claim, 6 Drawing Sheets



U.S. PATENT DOCUMENTS

D403,420	S	*	12/1998	Vullion	D23/367
D424,677	S	*	5/2000	Chen	D23/366
6,148,143	A	*	11/2000	Steinel, Jr.	392/390
D489,123	S	*	4/2004	Basaganas Millan	D23/366
D491,257	S	*	6/2004	Picken, Jr.	D23/366
D544,594	S	*	6/2007	Zobebe	D23/366
D544,953	S	*	6/2007	Kee	D23/368
D550,345	S	*	9/2007	Weggelaar	D23/366
D551,333	S	*	9/2007	Wu	D23/366
D553,233	S	*	10/2007	Hatch et al.	D23/366
D555,778	S	*	11/2007	Fellows et al.	D23/366
D565,164	S	*	3/2008	Duston et al.	D23/366
D585,129	S	*	1/2009	Huang	D23/366

OTHER PUBLICATIONS

Autolexpressions air care vent-it vent stix, <http://www.autoexpressions.com/air-care/vent-it/vent-stix/cherry> SOPUS Products, 609 Science Drive, Moorpark, CA 93065, Apr. 16, 2009.
 Scentportable Clip & Go Fragrance Unit, Slatkin & Co., 610 Broadway Ste 4, New York, NY 10012, Apr. 23, 2009.
 Off! Clip-On Mosquito Repellent, <http://offprotects.com/clip-on-mosquito-repellent/> SC Johnson, 1525 Howe Street, Racine, Wisconsin 53403-5011, Jun. 29, 2009.

Refresh your car! Odor Eliminating auto vent stick, HandStands, 675 W 14800, S Bluffdale, UT 84065 Feb. 17, 2010.
 Refresh your car! Odor Eliminating scented oil, HandStands, 675 W 14800, S Bluffdale, UT 84065 Feb. 17, 2010.
 Car-ma AROMATHERAPY vent stick, HandStands, 675 W 14800, S Bluffdale, UT 84065 Feb. 17, 2010.
 Auto expressions odor OUT vent odor Neutralizer, distributed by SOPUS Products, 609 Science Drive, Moorpark, CA 93065 Feb. 17, 2010.
 Refresh your day-Air Freshners for your home, car, and office. <http://www.refreshyourday.com/products.php> HandStands, 675 W 14800, S Bluffdale, UT 84065.
 Autolexpressions air care vent-it vent stix, <http://www.autoexpressions.com/air-care/vent-it/vent-stix/cherry> SOPUS Products, 609 Science Drive, Moorpark, CA 93065.
 Scentportable Clip & Go Fragrance Unit, Slatkin & Co., 610 Broadway Ste 4, New York, NY 10012.
 Off! Clip-ON Mosquito Repellent, <http://offprotects.com/clip-on-mosquito-repellent/> SC Johnson, 1525 Howe Street, Racine, Wisconsin 53403-5011.
 U.S. Appl. No. 61/169,840, filed Apr. 16, 2009, Gruenbacher et al.
 U.S. Appl. No. 29/341,622, filed Aug. 10, 2009, Koenig et al.
 U.S. Appl. No. 29/351,724, filed Dec. 10, 2009, Koenig et al.

* cited by examiner

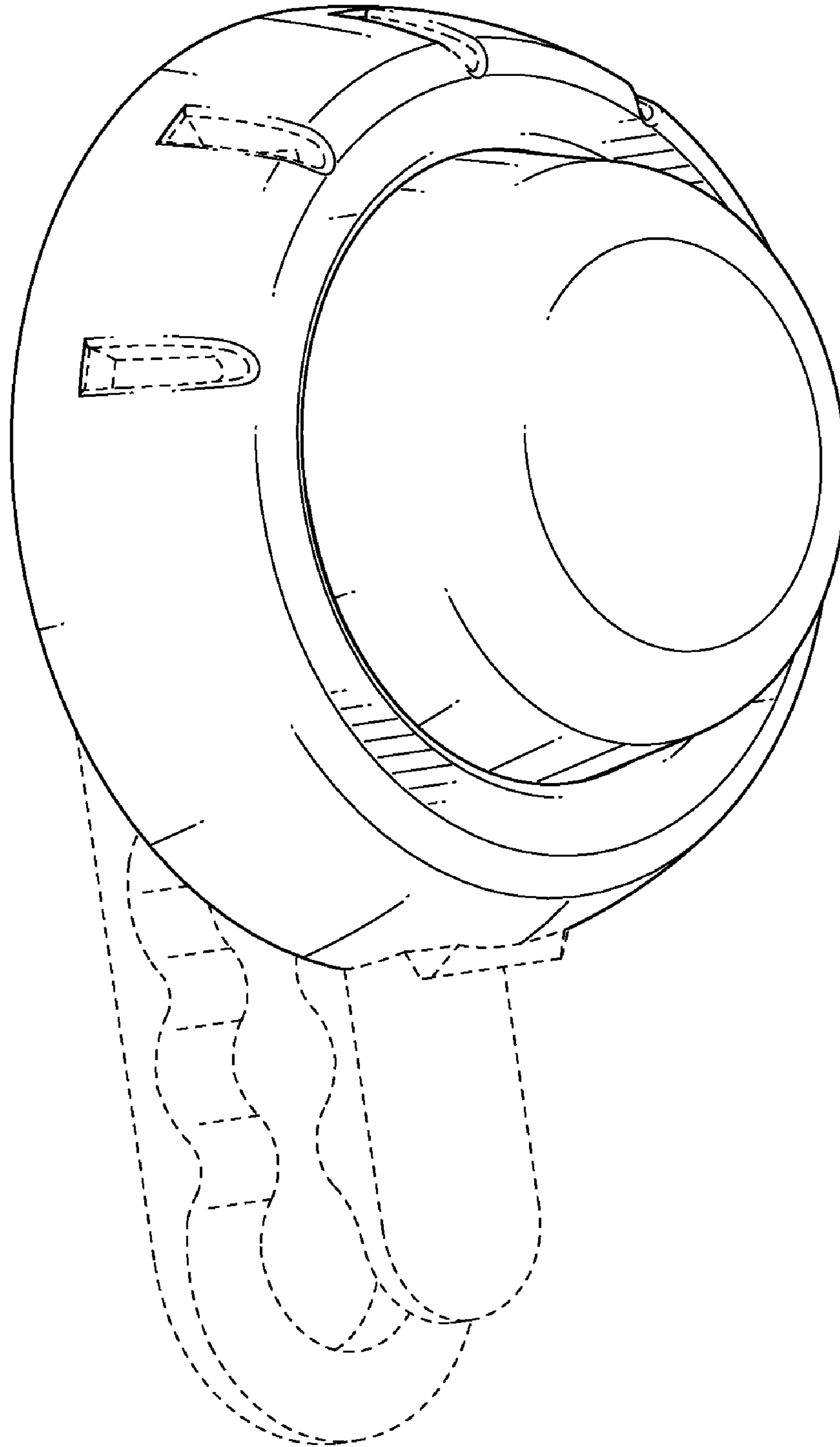


Fig. 1

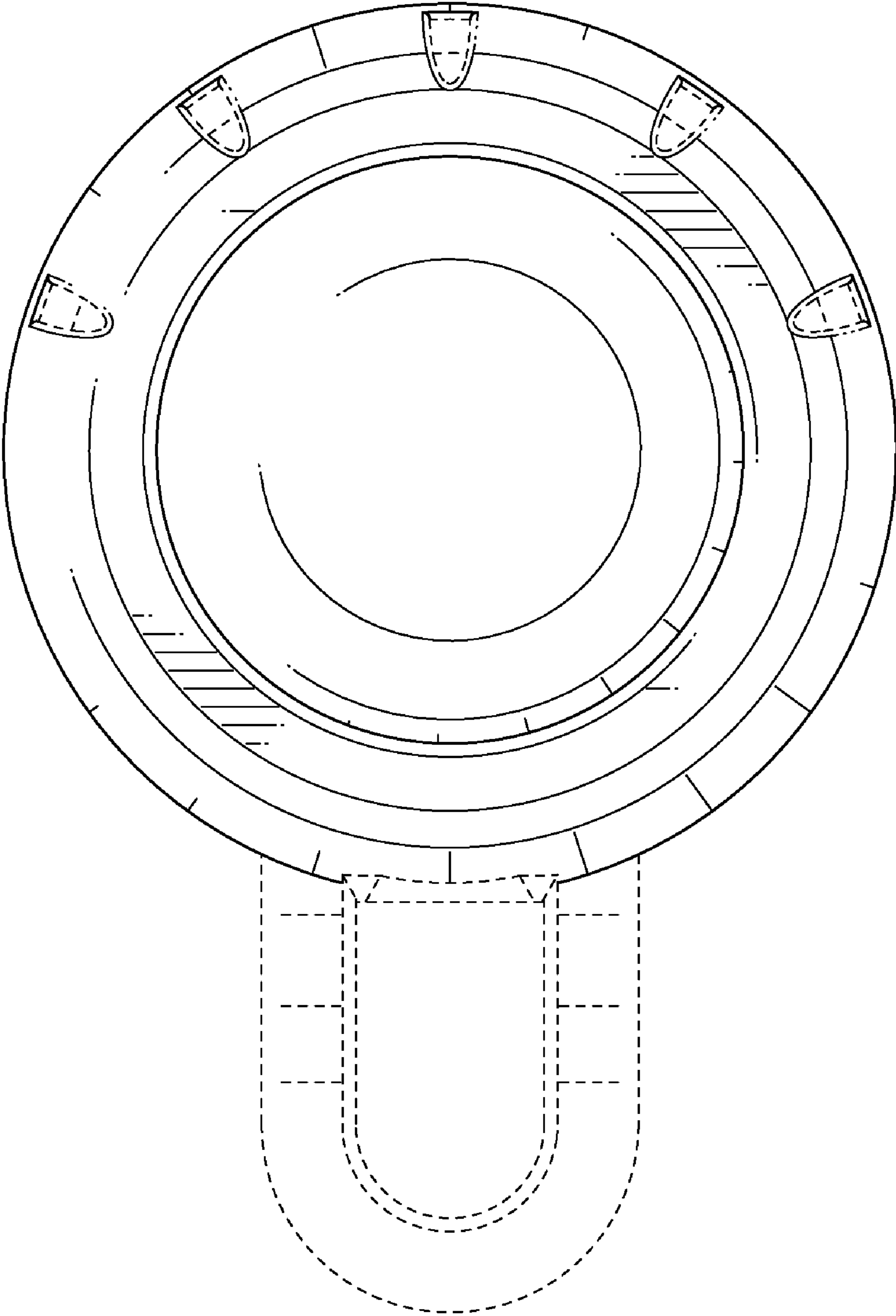


Fig. 2

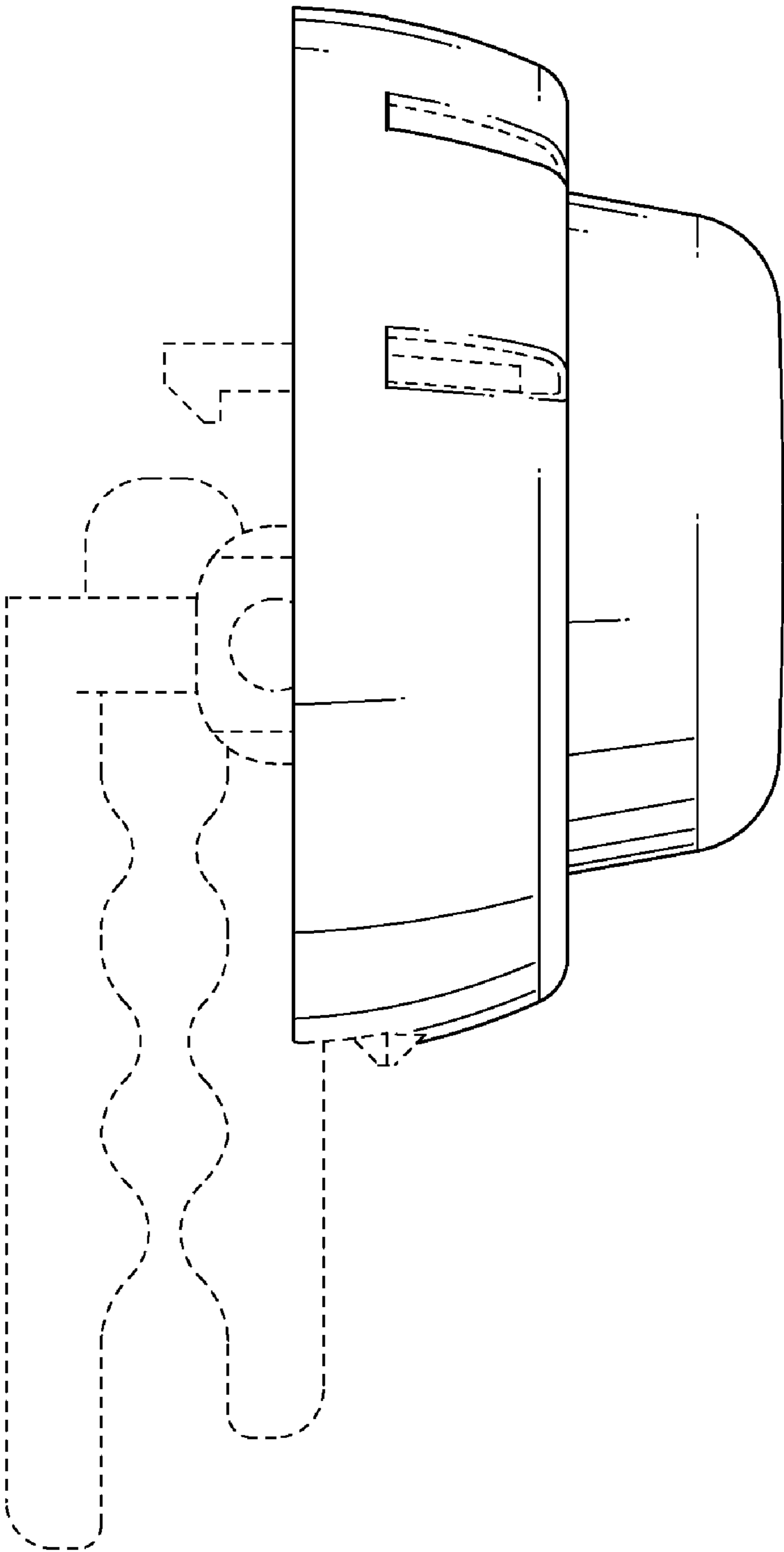


Fig. 3

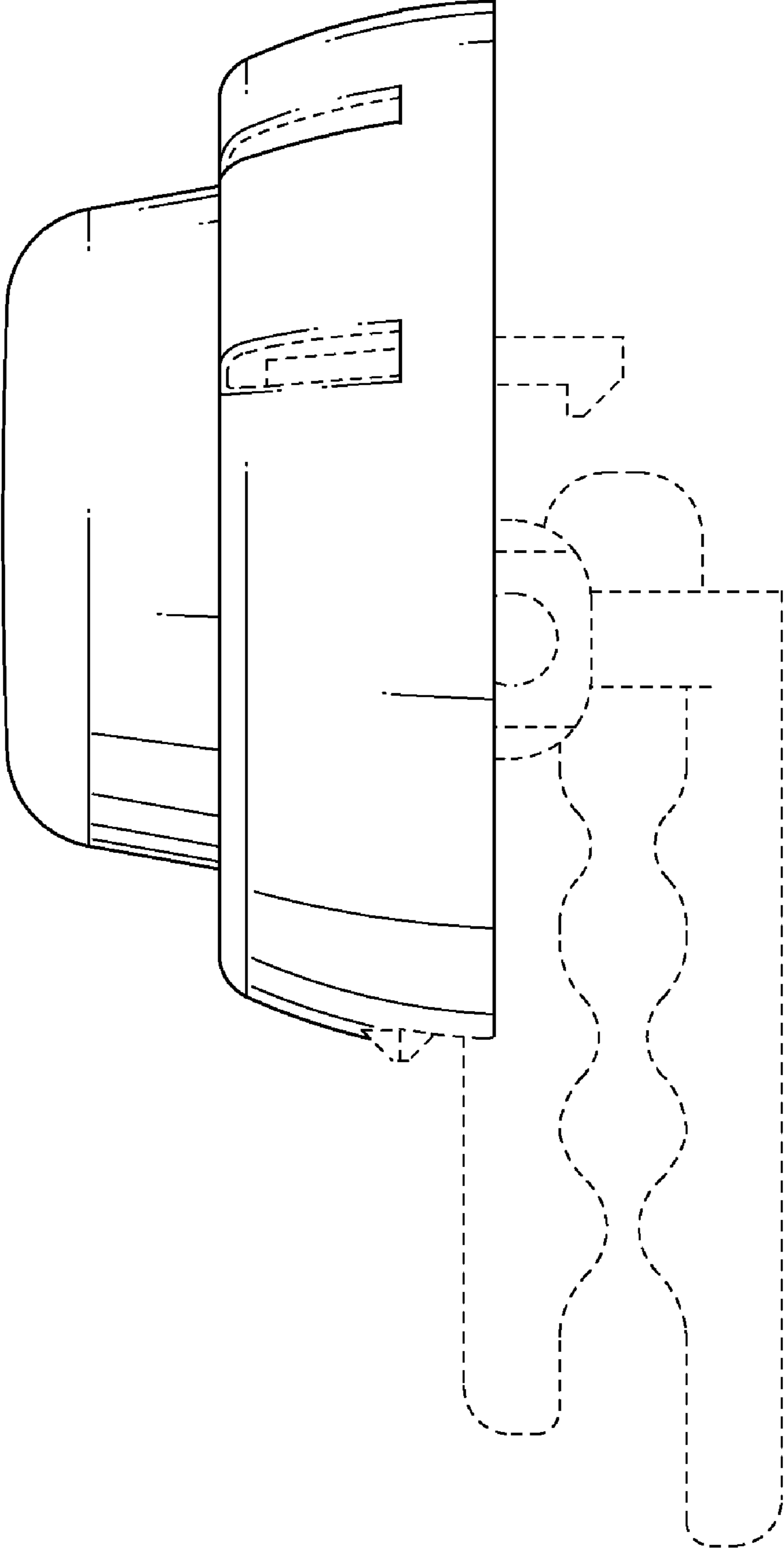


Fig. 4

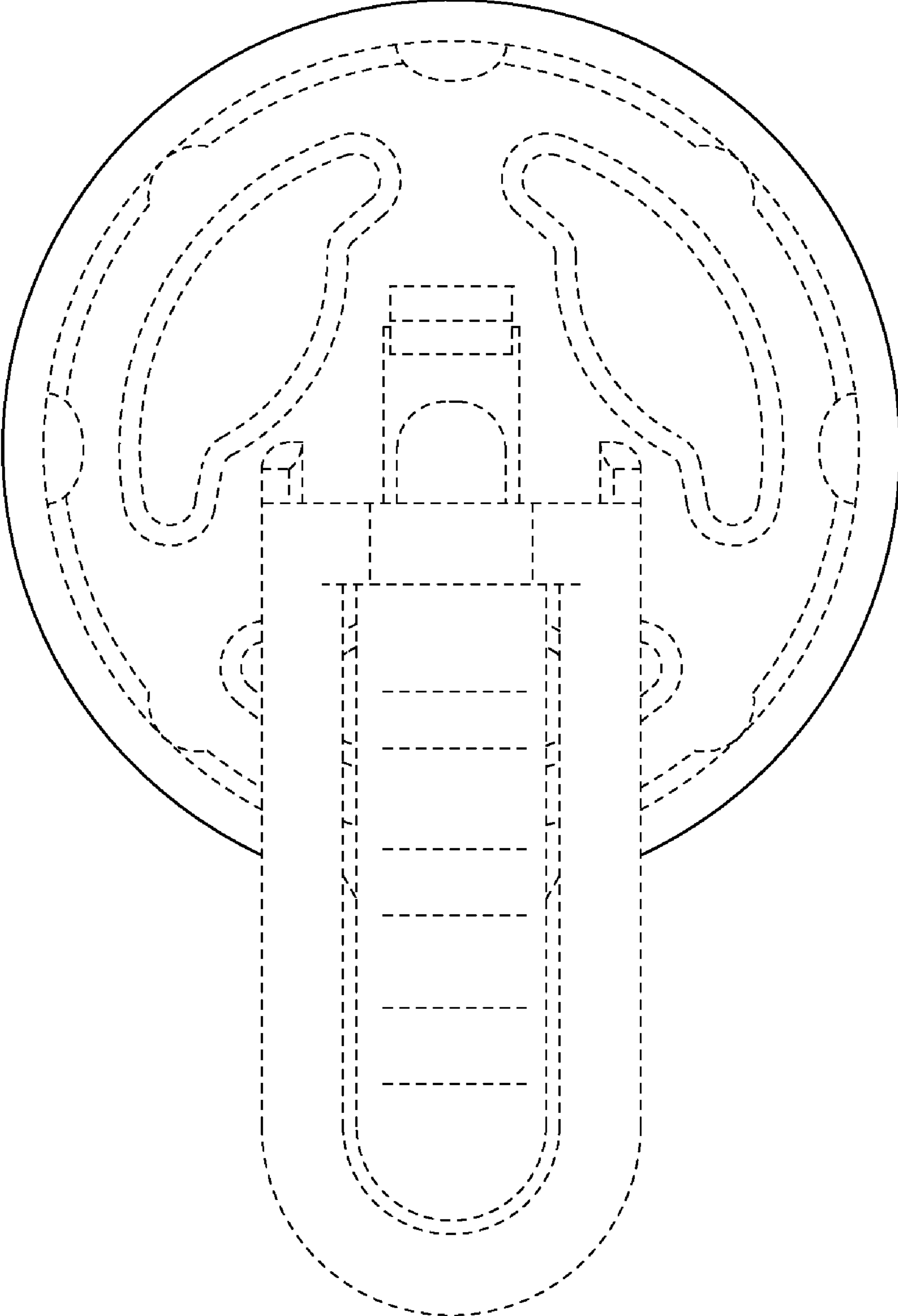


Fig. 5

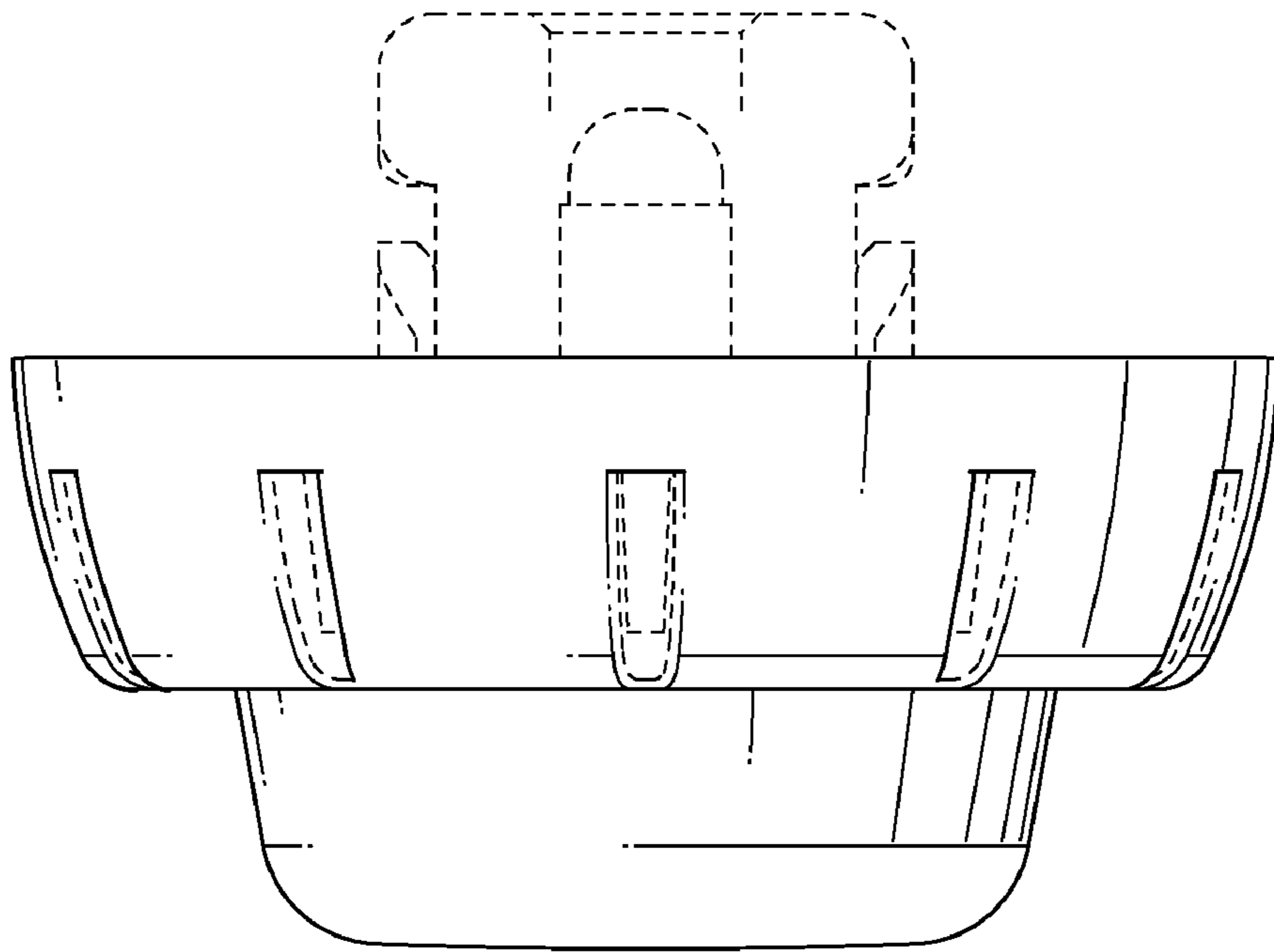


Fig. 6

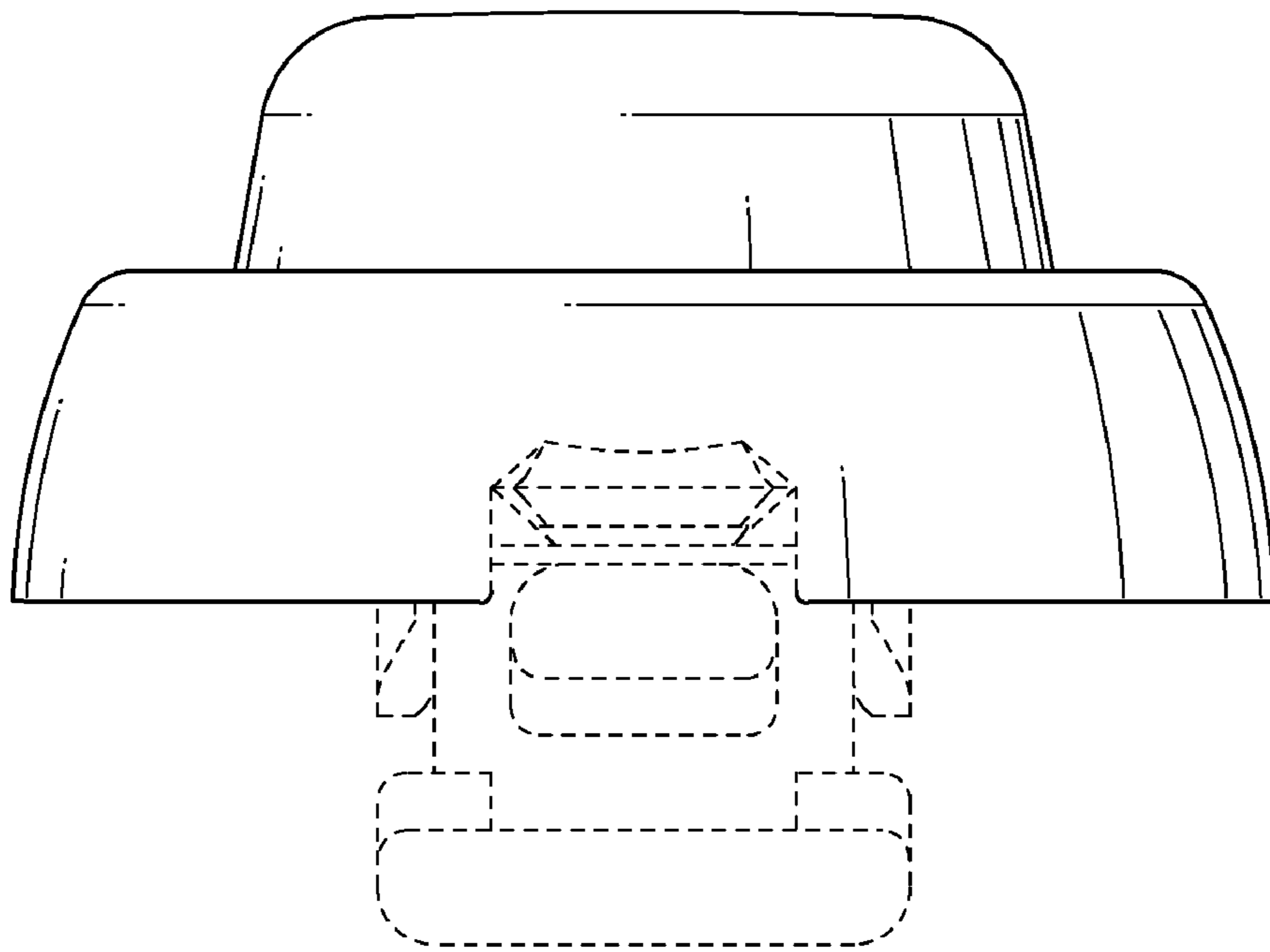


Fig. 7