



US00D621920S

(12) **United States Design Patent**  
**Yamana et al.**

(10) **Patent No.:** **US D621,920 S**

(45) **Date of Patent:** **\*\* Aug. 17, 2010**

(54) **AIR CONDITIONER**

(75) Inventors: **Shinji Yamana**, Chiyoda-Ku (JP); **So Nakai**, Chiyoda-Ku (JP); **Azumi Suzuki**, Chiyoda-Ku (JP)

(73) Assignee: **Mitsubishi Electric Corporation**, Tokyo (JP)

(\*\*) Term: **14 Years**

(21) Appl. No.: **29/346,135**

(22) Filed: **Oct. 27, 2009**

(30) **Foreign Application Priority Data**

Jul. 9, 2009 (JP) ..... 2009-015687

(51) **LOC (9) Cl.** ..... **23-04**

(52) **U.S. Cl.** ..... **D23/351**

(58) **Field of Classification Search** ..... D23/351–354, D23/385, 355, 357, 361; 312/236; 62/259.1, 62/259.4, 262–263, 304; 454/330–331, 349–350  
See application file for complete search history.

(56) **References Cited**

**U.S. PATENT DOCUMENTS**

D529,595 S *	10/2006	Ueno et al.	.....	D23/351
D553,721 S *	10/2007	Seki et al.	.....	D23/351
D565,158 S *	3/2008	Nagahori	.....	D23/351
D579,095 S *	10/2008	Nagahori et al.	.....	D23/351
D580,037 S *	11/2008	Seki et al.	.....	D23/351
D580,038 S *	11/2008	Seki et al.	.....	D23/351
D584,806 S *	1/2009	Oh et al.	.....	D23/351
D593,666 S *	6/2009	Nakamura	.....	D23/351
D599,455 S *	9/2009	Alexanderson	.....	D23/351

D605,265 S *	12/2009	Nakamura et al.	.....	D23/351
D605,266 S *	12/2009	Nakamura et al.	.....	D23/351
D605,267 S *	12/2009	Nakamura et al.	.....	D23/351

**FOREIGN PATENT DOCUMENTS**

JP	1317300 A	11/2007
JP	1357246 A	3/2009
JP	1357812 A	3/2009

\* cited by examiner

*Primary Examiner*—Brian N Vinson

(74) *Attorney, Agent, or Firm*—Sughrue Mion, PLLC

(57) **CLAIM**

The ornamental design for an air conditioner, as shown and described.

**DESCRIPTION**

FIG. 1 is a front, bottom and right side perspective view of an air conditioner, showing my new design;

FIG. 2 is a front elevational view thereof;

FIG. 3 is a rear elevational view thereof;

FIG. 4 is a top plan view thereof;

FIG. 5 is a bottom plan view thereof;

FIG. 6 is a left side elevational view thereof;

FIG. 7 is a right side elevational view thereof; and,

FIG. 8 is an enlarged vertical cross-sectional view thereof; taken along line 8—8 of FIG. 2, the broken line disclosure in the view understood to represent portions of the article in which the claimed design is embodied, but which form no part of the claimed design.

**1 Claim, 4 Drawing Sheets**

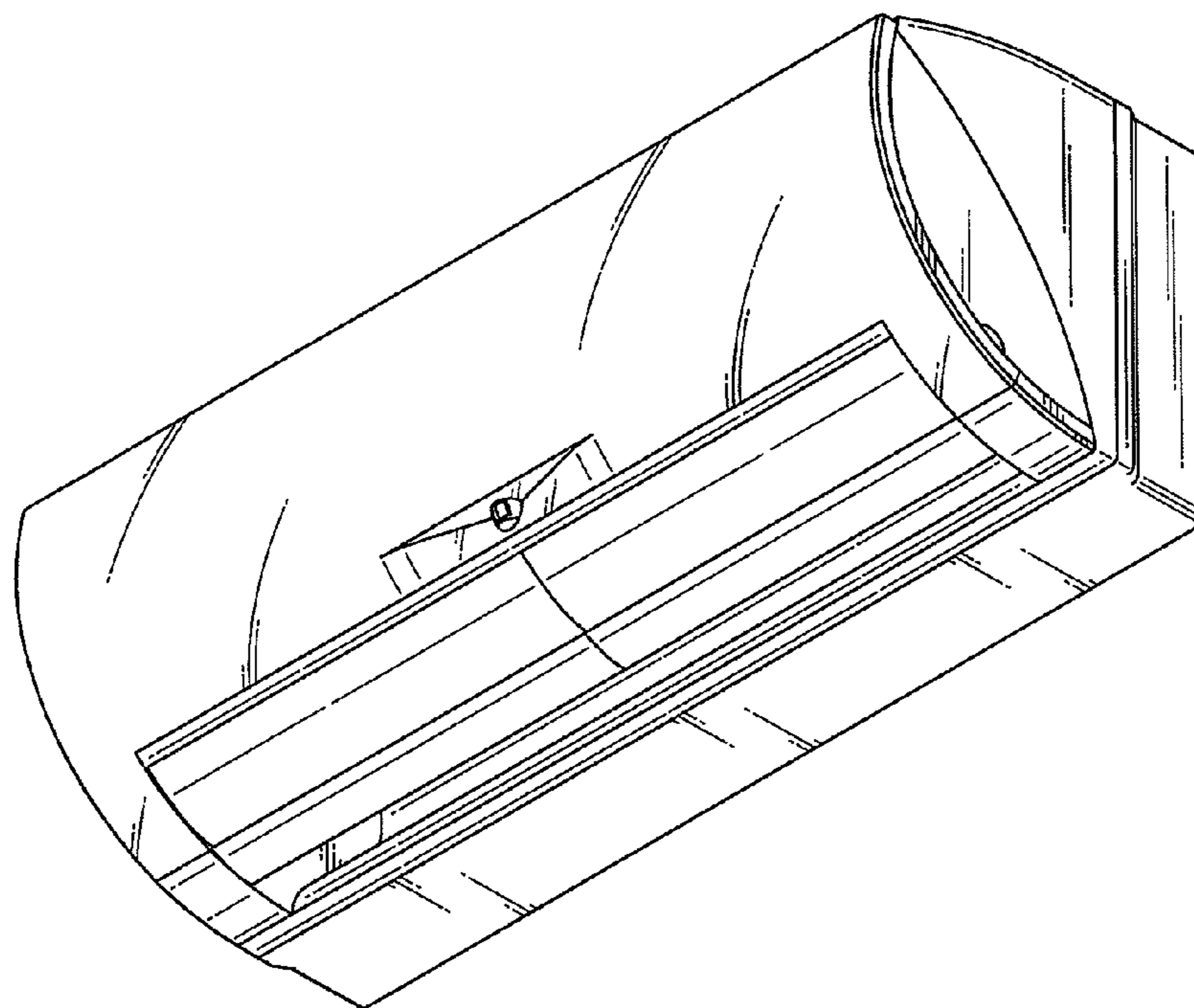


FIG. 1

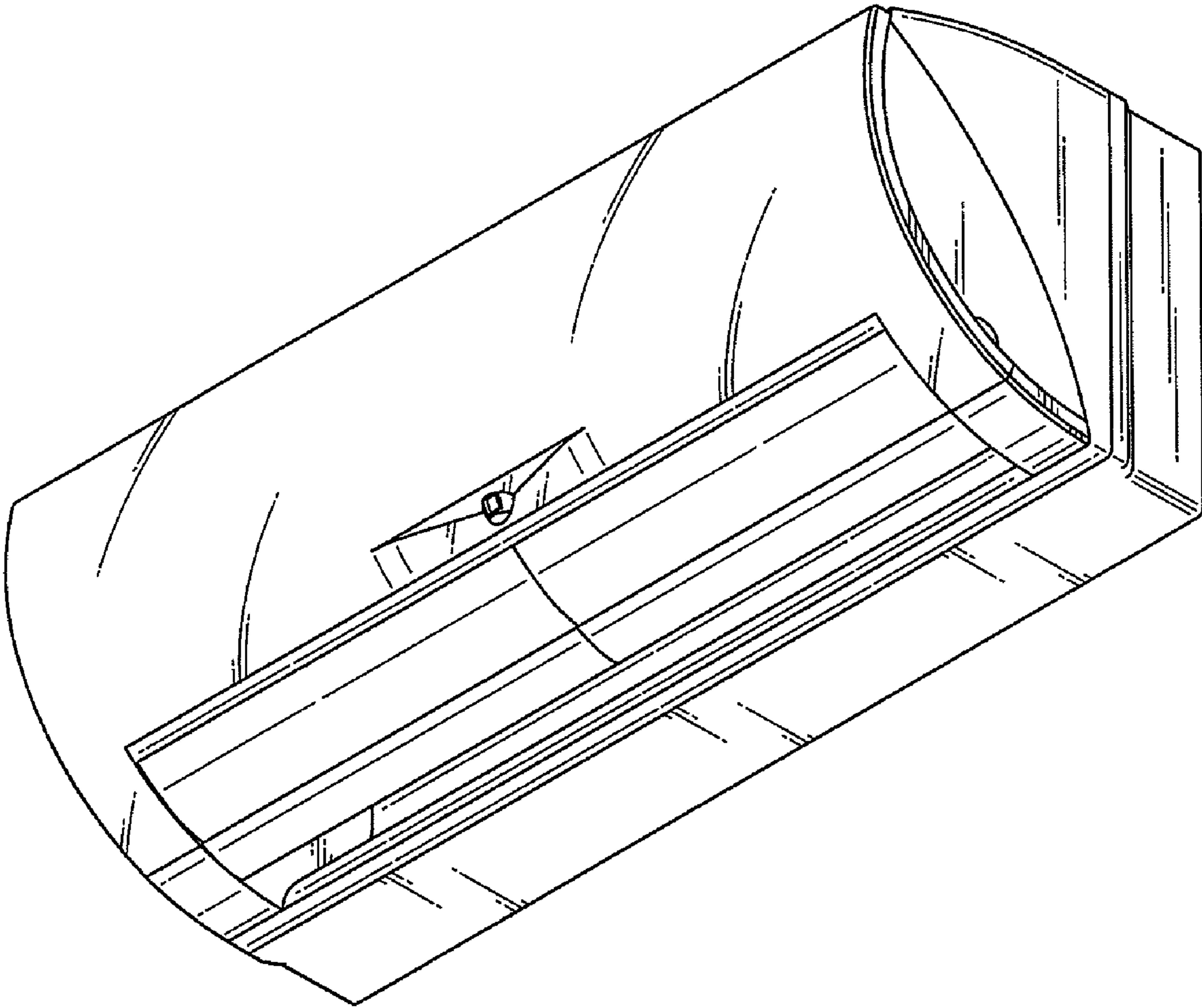


FIG.2

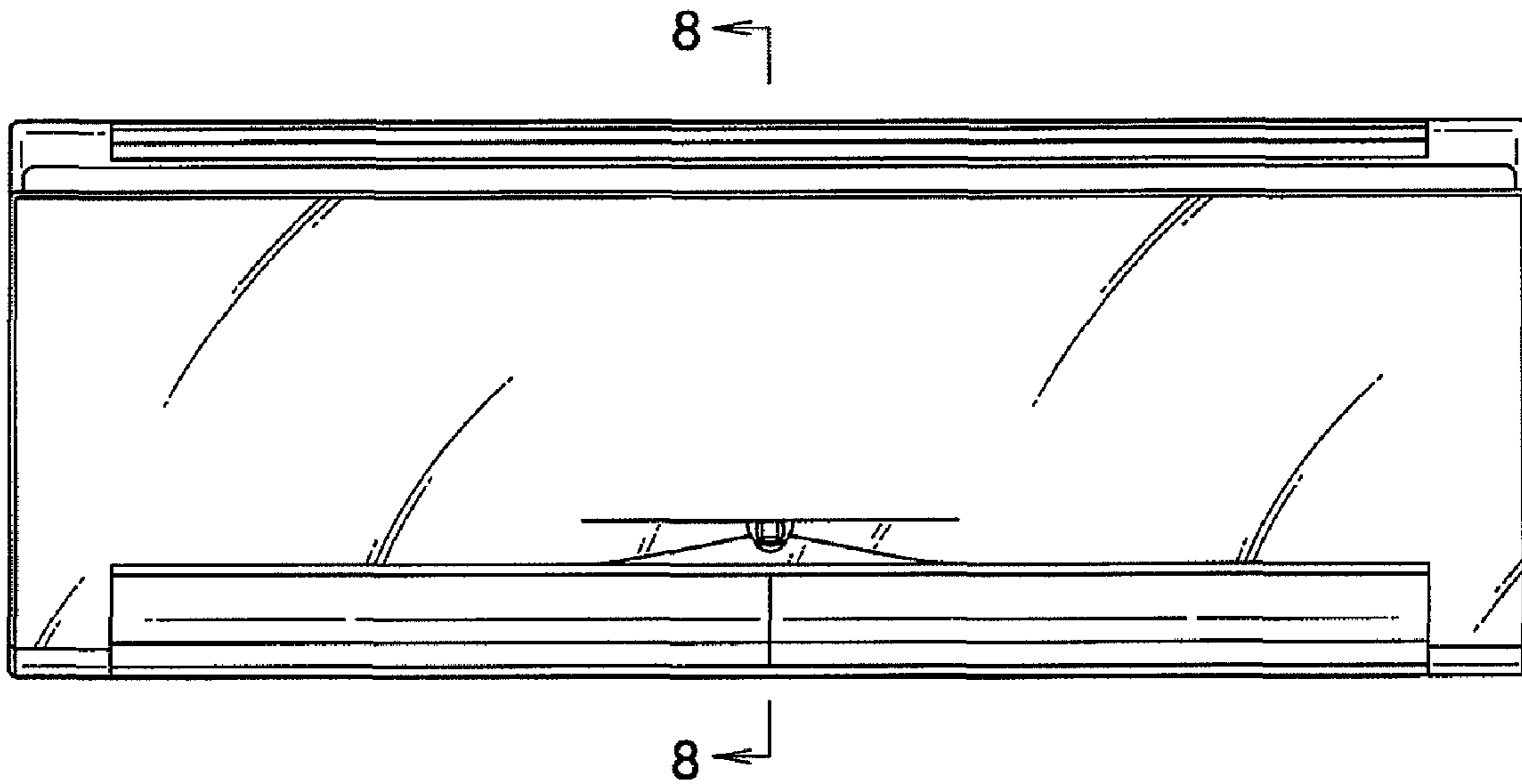


FIG.3

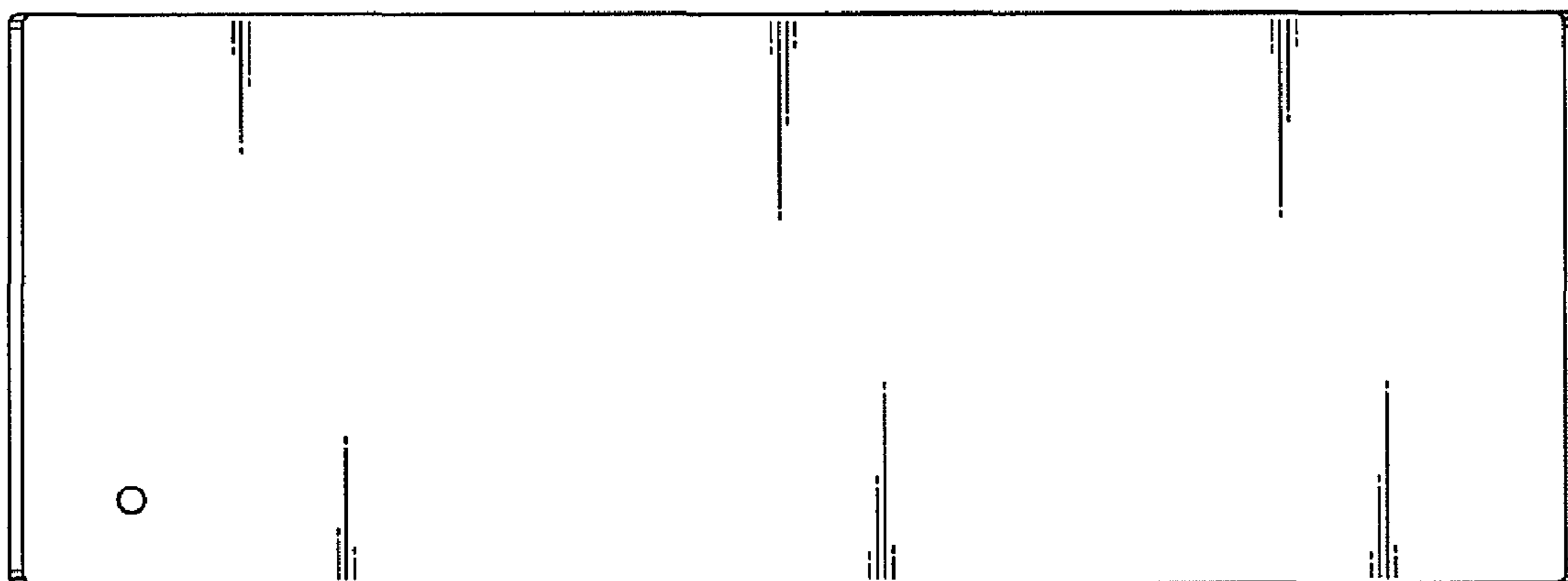


FIG.4

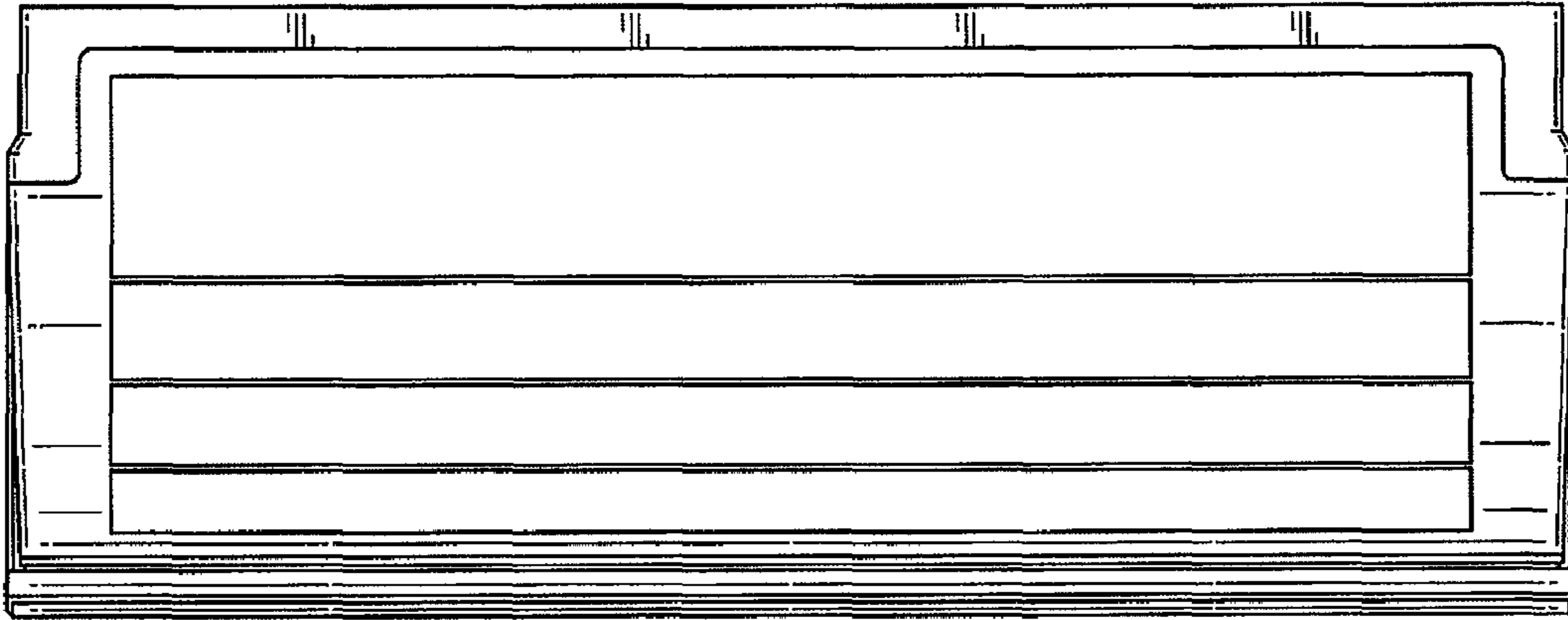


FIG.5

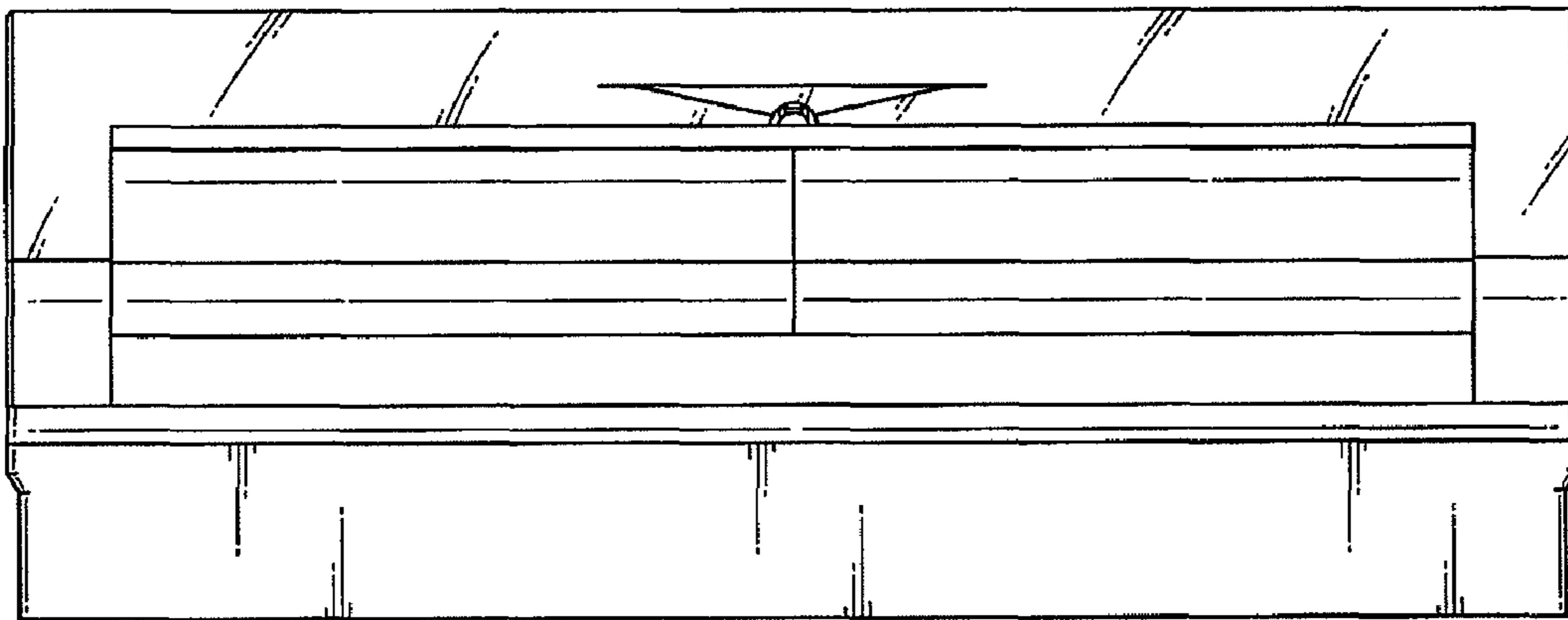


FIG.6

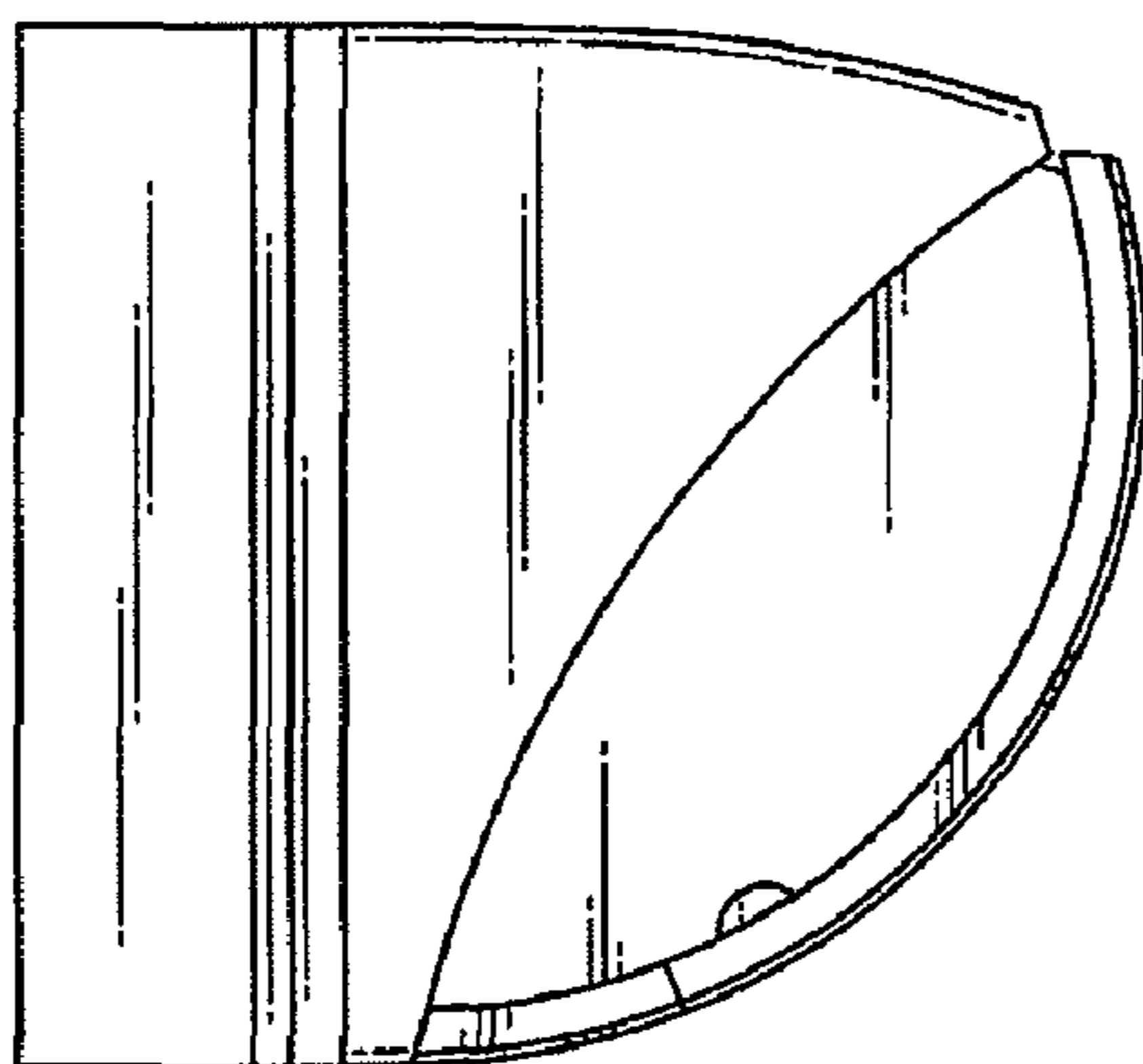


FIG.7

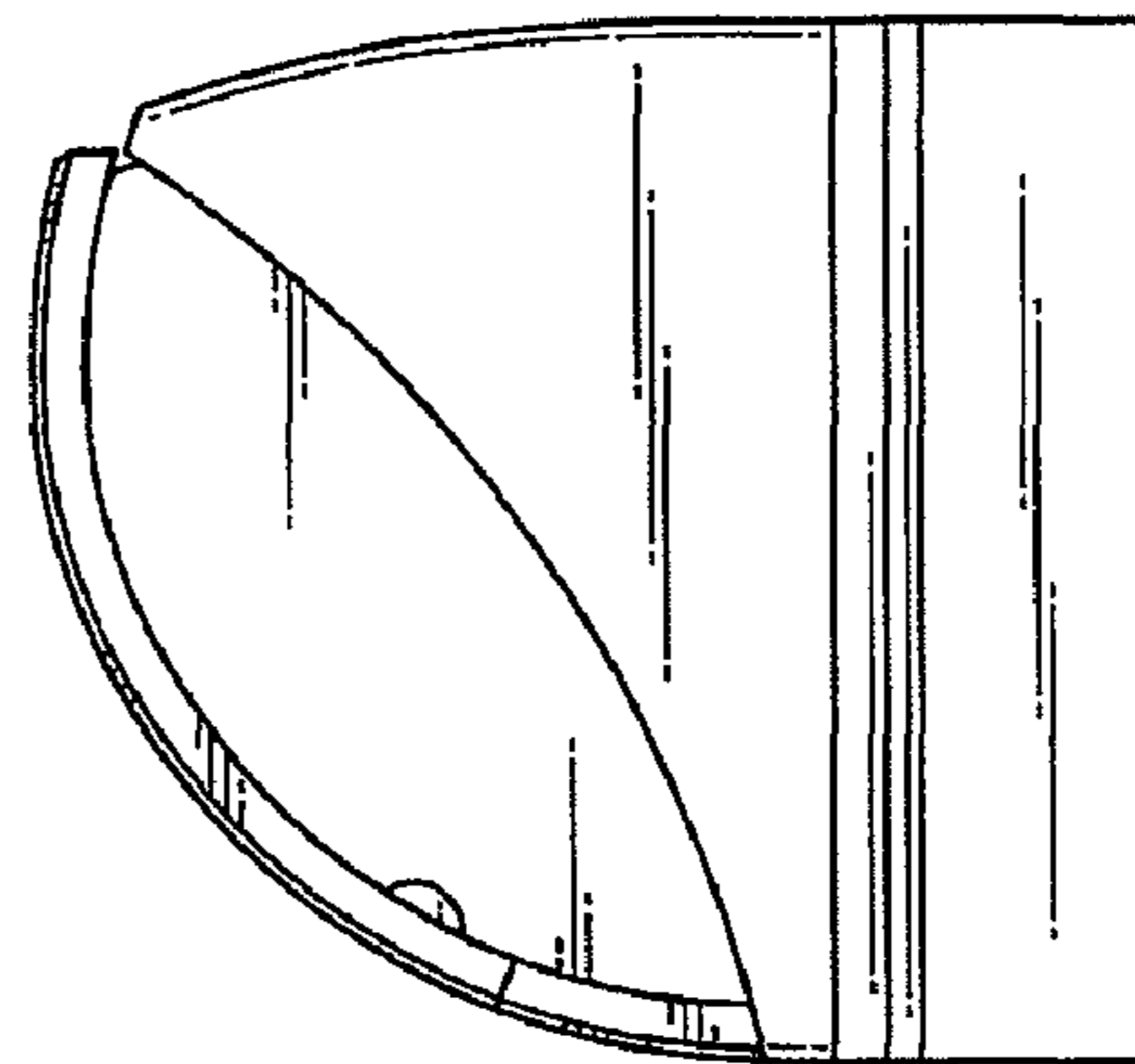


FIG.8

