



US00D621918S

(12) **United States Design Patent**
Paterson et al.

(10) **Patent No.:** **US D621,918 S**

(45) **Date of Patent:** **** Aug. 17, 2010**

(54) **WATER CLOSET**

(75) Inventors: **Nicholas W. Paterson**, Sheboygan, WI (US); **Cecile Thalmann-Gomez**, Ispra (IT)

(73) Assignee: **Kohler Co.**, Kohler, WI (US)

(**) Term: **14 Years**

(21) Appl. No.: **29/343,895**

(22) Filed: **Sep. 21, 2009**

(51) **LOC (9) Cl.** **23-02**

(52) **U.S. Cl.** **D23/295**

(58) **Field of Classification Search** D23/273-274,
D23/295, 301, 303, 309, 313; 4/300, 329,
4/353, 420

See application file for complete search history.

(56) **References Cited**

U.S. PATENT DOCUMENTS

D299,163 S * 12/1988 Robinson D23/274
D594,945 S 6/2009 Nakasaki et al.
D603,488 S * 11/2009 Maruhashi D23/295
D612,026 S * 3/2010 Soulier D23/295

FOREIGN PATENT DOCUMENTS

CN 3302290 11/2002
CN 3376251 9/2003
CN 3652563 4/2006
CN 300730493 12/2006
CN 300739614 4/2007
CN 300801484 7/2007
CN 300894410 2/2008
CN 300905381 3/2008
CN 300917296 3/2008
EM 000110531-0002 4/2004
EM 000264502-0001 2/2005
EM 000264502-0002 2/2005
EM 000264502-0005 2/2005
EM 000833835-0002 1/2008

JP 843438 4/1992
JP 843438-2 4/1992
JP 843438-3 9/1992
JP 1283637 9/2006

OTHER PUBLICATIONS

Hasting Bath Collection. "Verso Toilet and Bidet." HomePortfolio.com online catalog. Copyright 1997-2006 HomePortfolio.com.
Kohler Co. "Escalo Dual Flush Toilet Tank". HomePortfolio.com online catalog. Copyright 1997 HomePortfolio.com.
Durant. "2nd Floor". Model No. 011009. Duravit.com online catalog. Copyright 2008 Duravit.

* cited by examiner

Primary Examiner—Robert A Delehanty

(74) *Attorney, Agent, or Firm*—Quarles & Brady LLP

(57) **CLAIM**

The ornamental design for a water closet, as shown and described.

DESCRIPTION

FIG. 1 is a right, top, front perspective view of a water closet embodying our new design;

FIG. 2 is a right side elevational view thereof;

FIG. 3 is a left side elevational view thereof;

FIG. 4 is a front elevational view thereof;

FIG. 5 is a top plan view thereof;

FIG. 6 is bottom plan view thereof; and,

FIG. 7 is a rear elevational view thereof.

The broken line representations in the figures are for the purpose of illustration only, and form no part of the claimed design.

In a preferred embodiment, the nature of this product is a plumbing fixture in the form of a water closet, which is primarily useful for receiving the liquid and solid waste of humans.

1 Claim, 4 Drawing Sheets

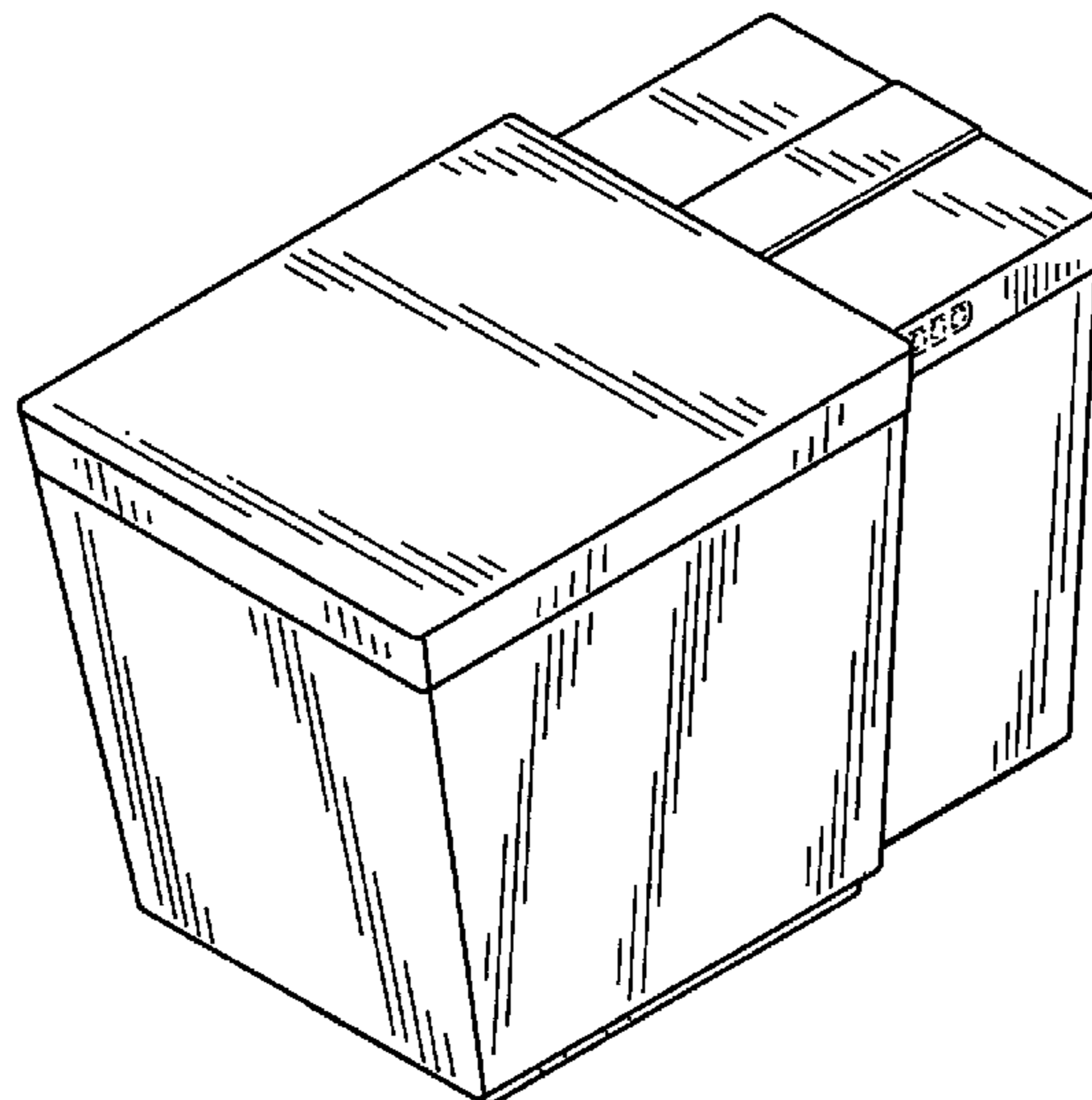


FIG. 1

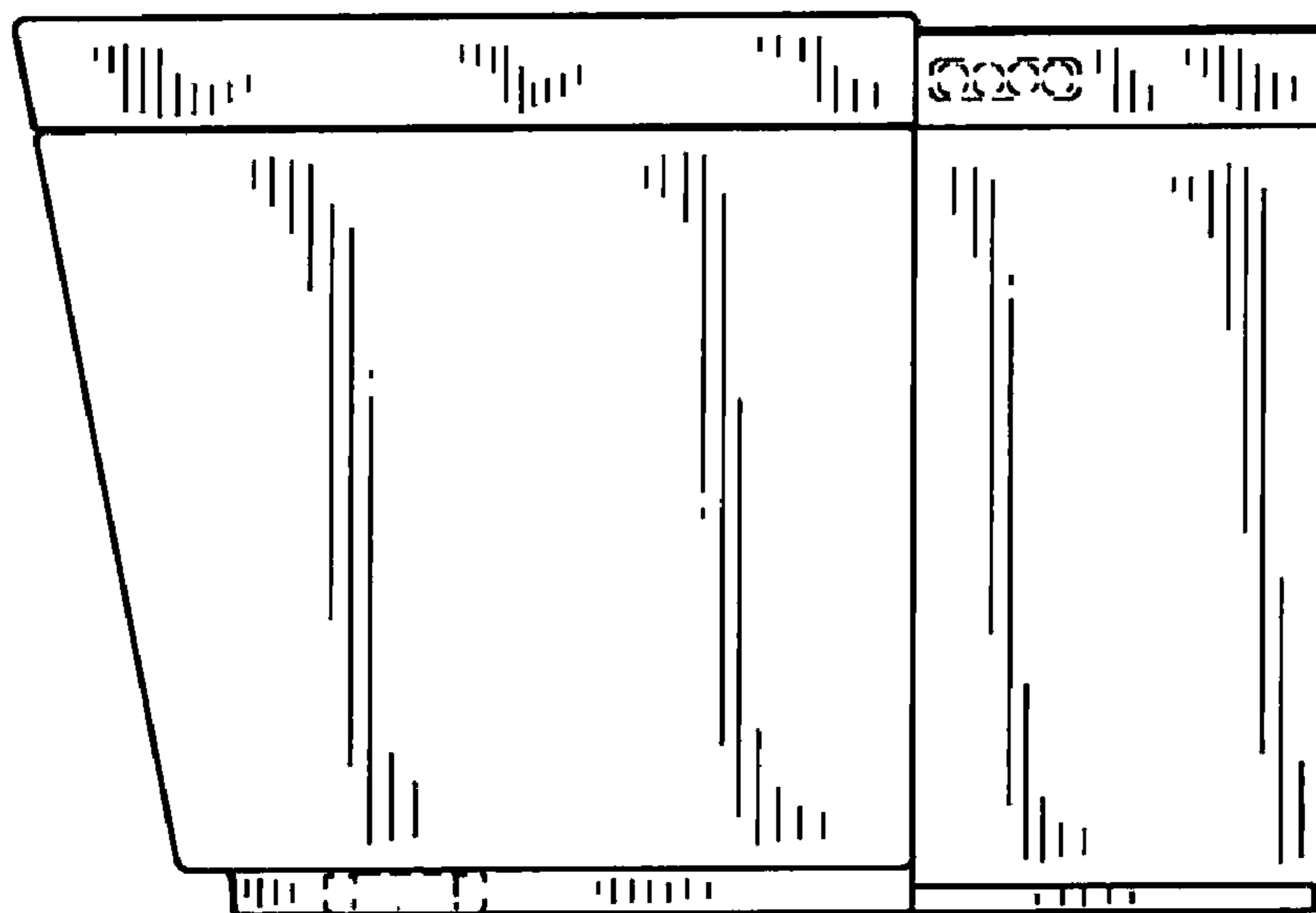
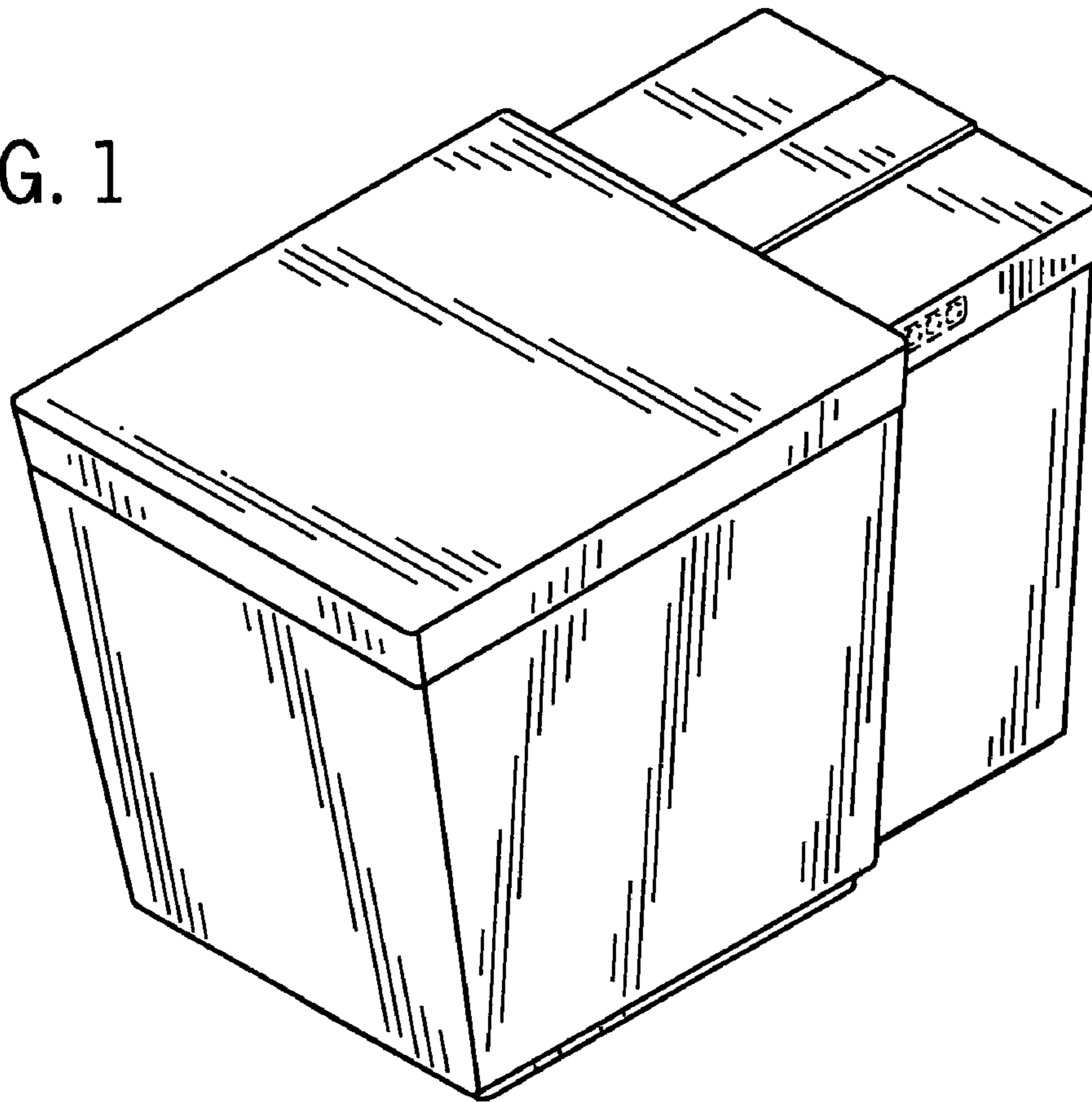


FIG. 2

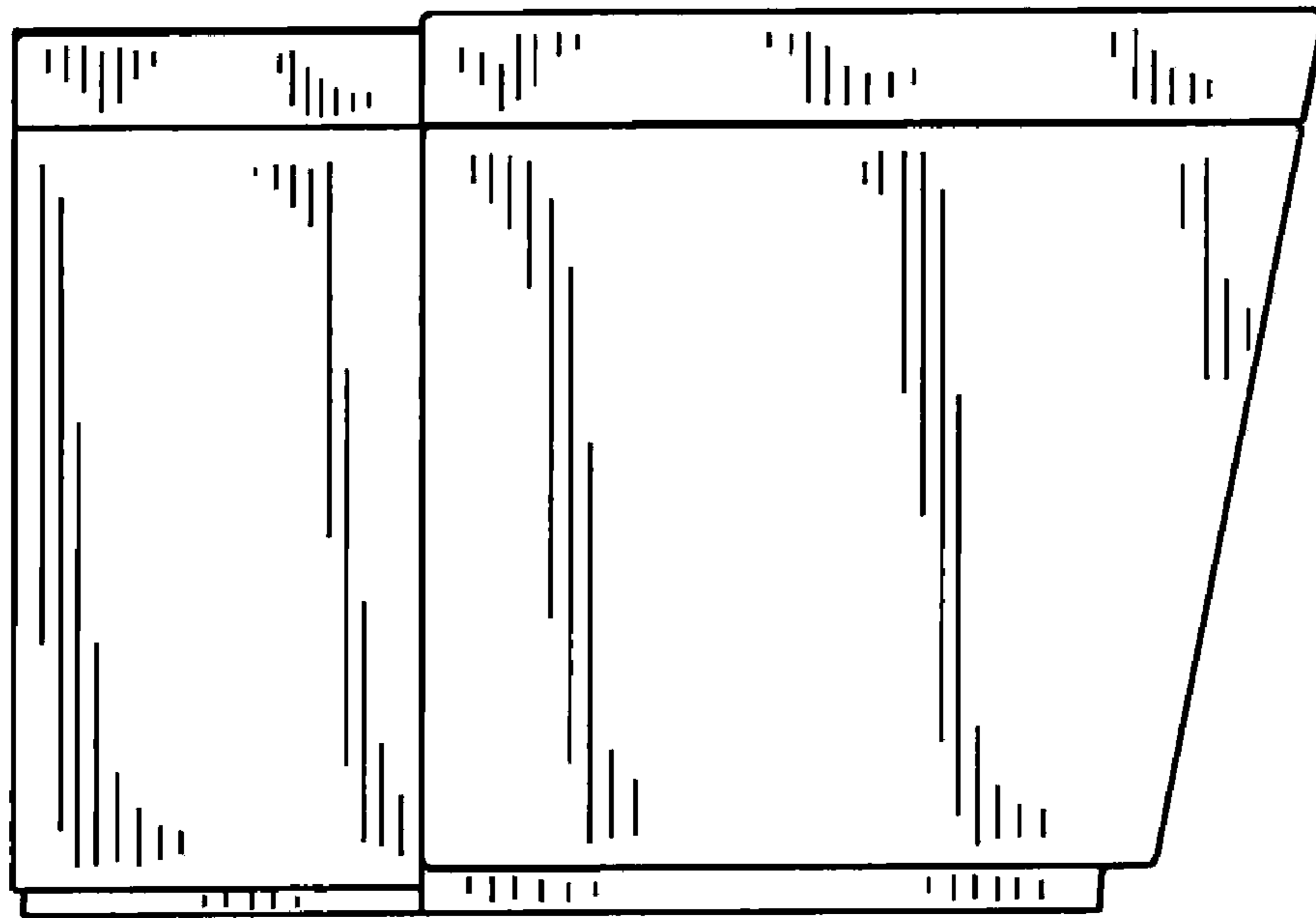


FIG. 3

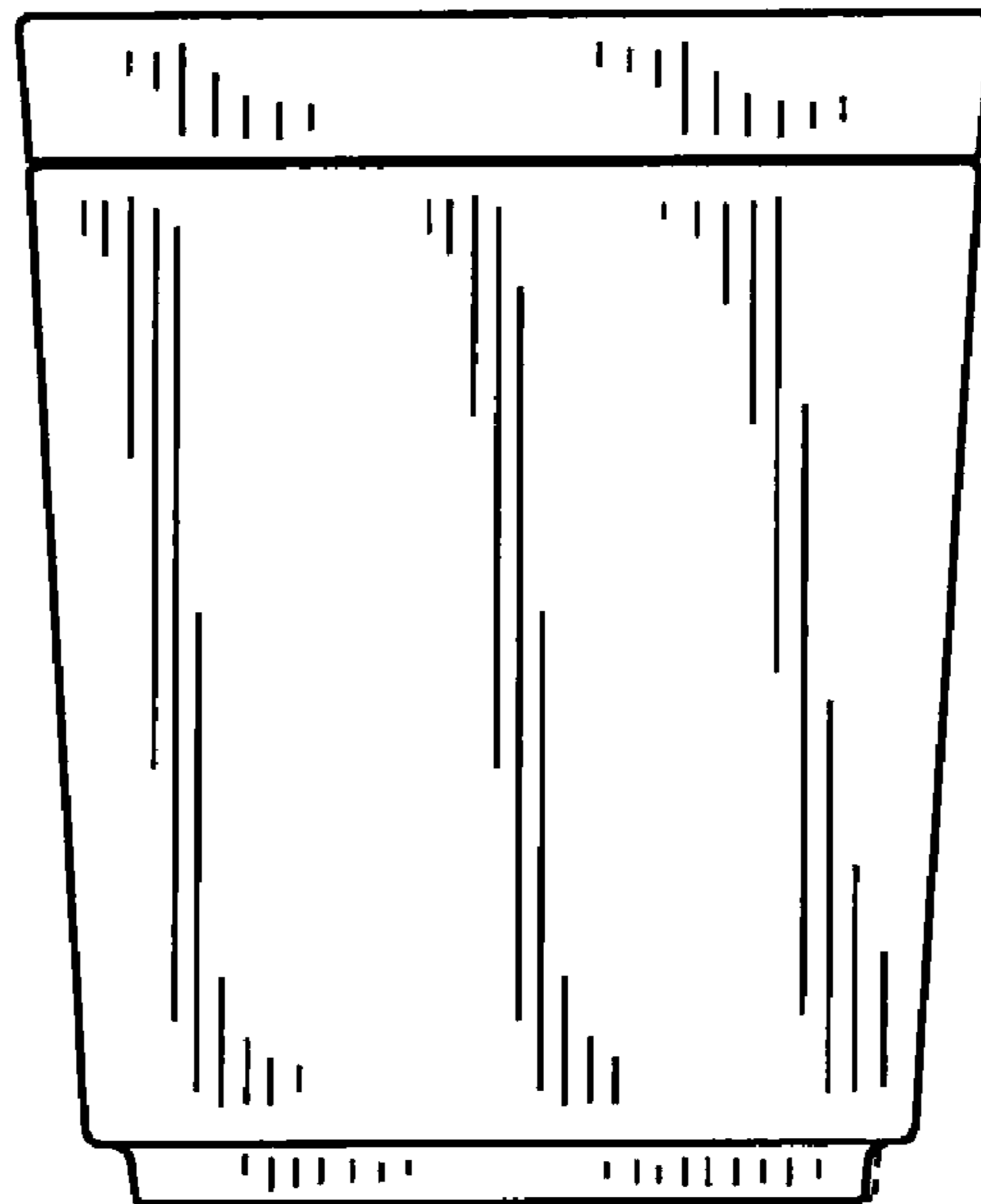


FIG. 4

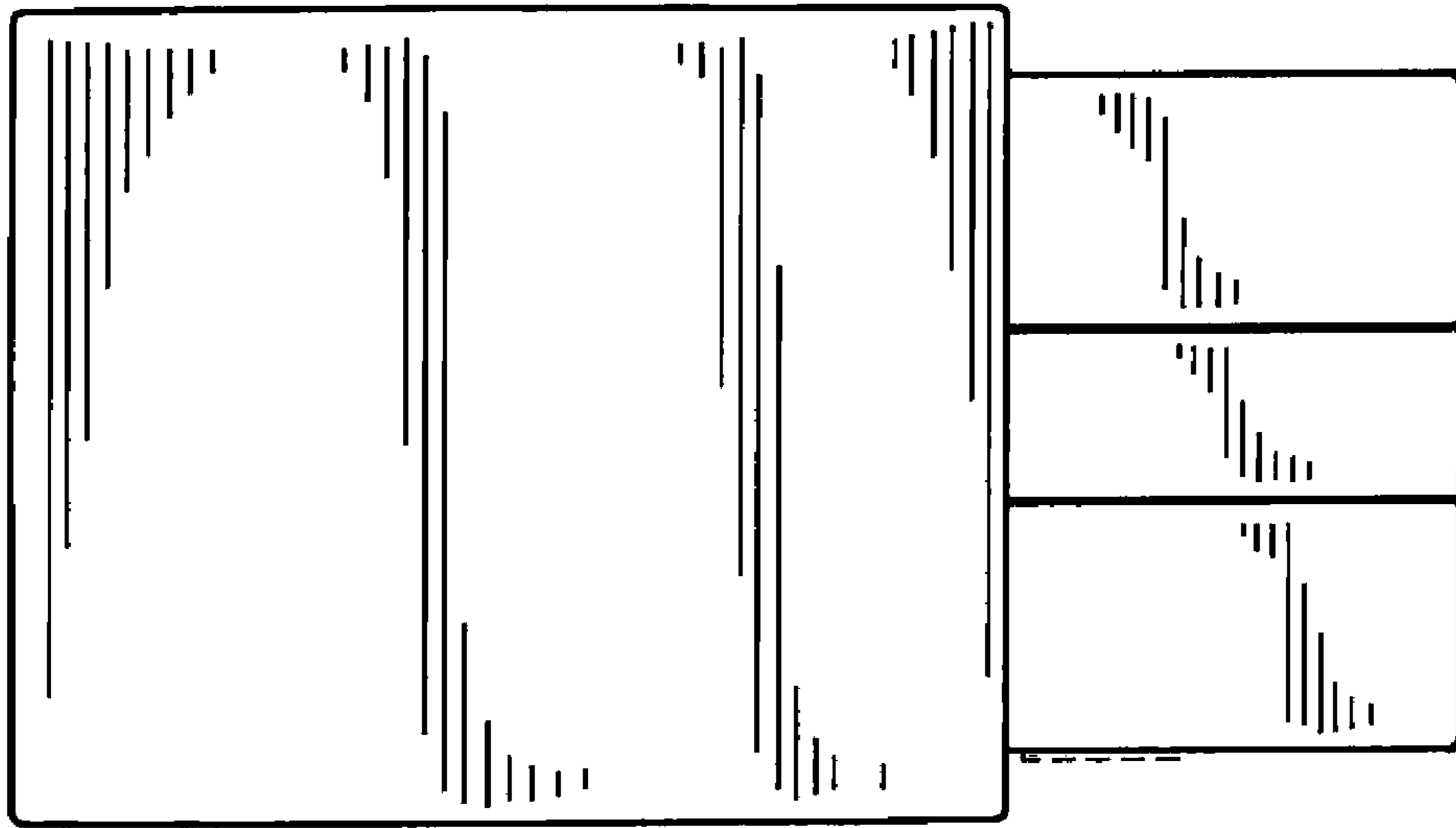


FIG. 5

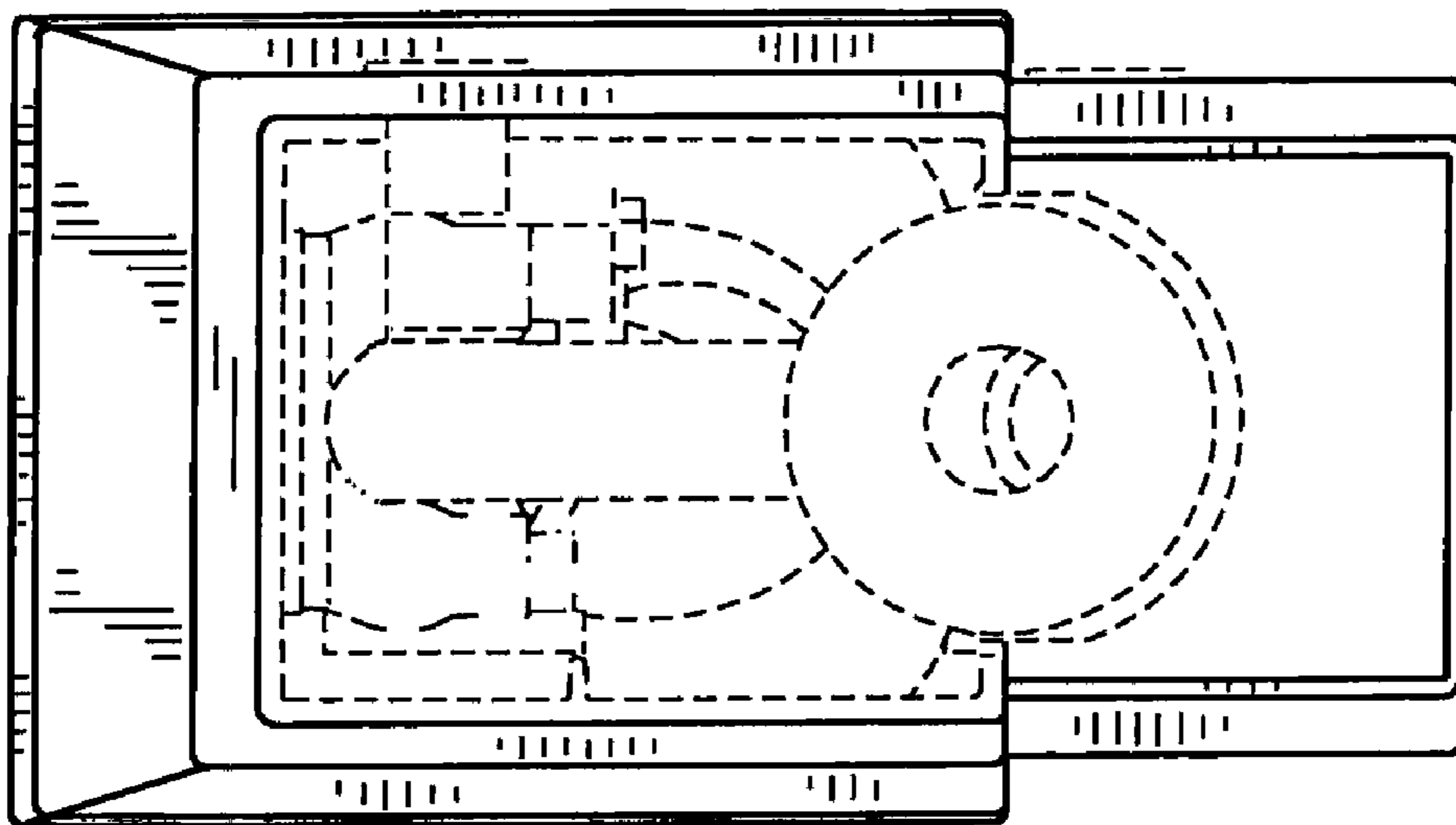


FIG. 6

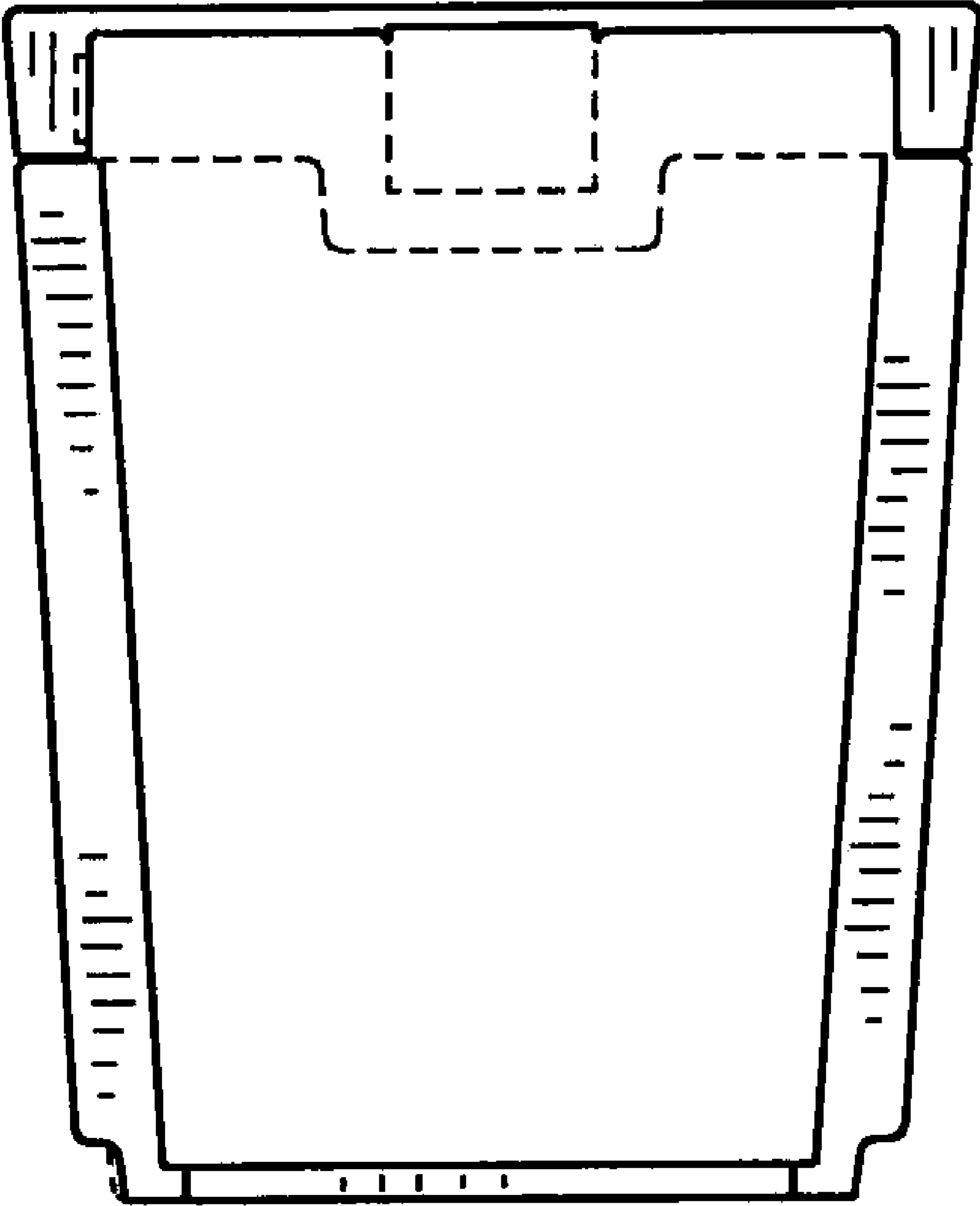


FIG. 7