



US00D621915S

(12) **United States Design Patent**
Fima

(10) **Patent No.:** **US D621,915 S**

(45) **Date of Patent:** **** Aug. 17, 2010**

(54) **LIGHTED DRAIN CARTRIDGE**

2009/0223884 A1* 9/2009 Wroblewski et al. 210/163

(75) Inventor: **Giovanni Fima**, Oceanside, CA (US)

* cited by examiner

(73) Assignee: **LiquidBreaker, LLC**, Carlsbad, CA (US)

Primary Examiner—T. Chase Nelson
Assistant Examiner—Eric L Goodman

(74) *Attorney, Agent, or Firm*—Fish & Associates, PC

(**) Term: **14 Years**

(57) **CLAIM**

(21) Appl. No.: **29/352,046**

The ornamental design for a lighted drain cartridge, as shown and described.

(22) Filed: **Dec. 15, 2009**

DESCRIPTION

(51) **LOC (9) Cl.** **23-01**

FIG. 1 is a front perspective view of a lighted drain cartridge.

(52) **U.S. Cl.** **D23/261**

FIG. 2 is a side perspective view of a lighted drain cartridge.

(58) **Field of Classification Search** D23/259–269;
52/12, 302.7; 4/286; 285/42; 210/163
See application file for complete search history.

FIG. 3 is another side perspective view of a lighted drain cartridge.

FIG. 4 is a top perspective view of a lighted drain cartridge.

(56) **References Cited**

FIG. 5 is a bottom perspective view of a lighted drain cartridge; and,

U.S. PATENT DOCUMENTS

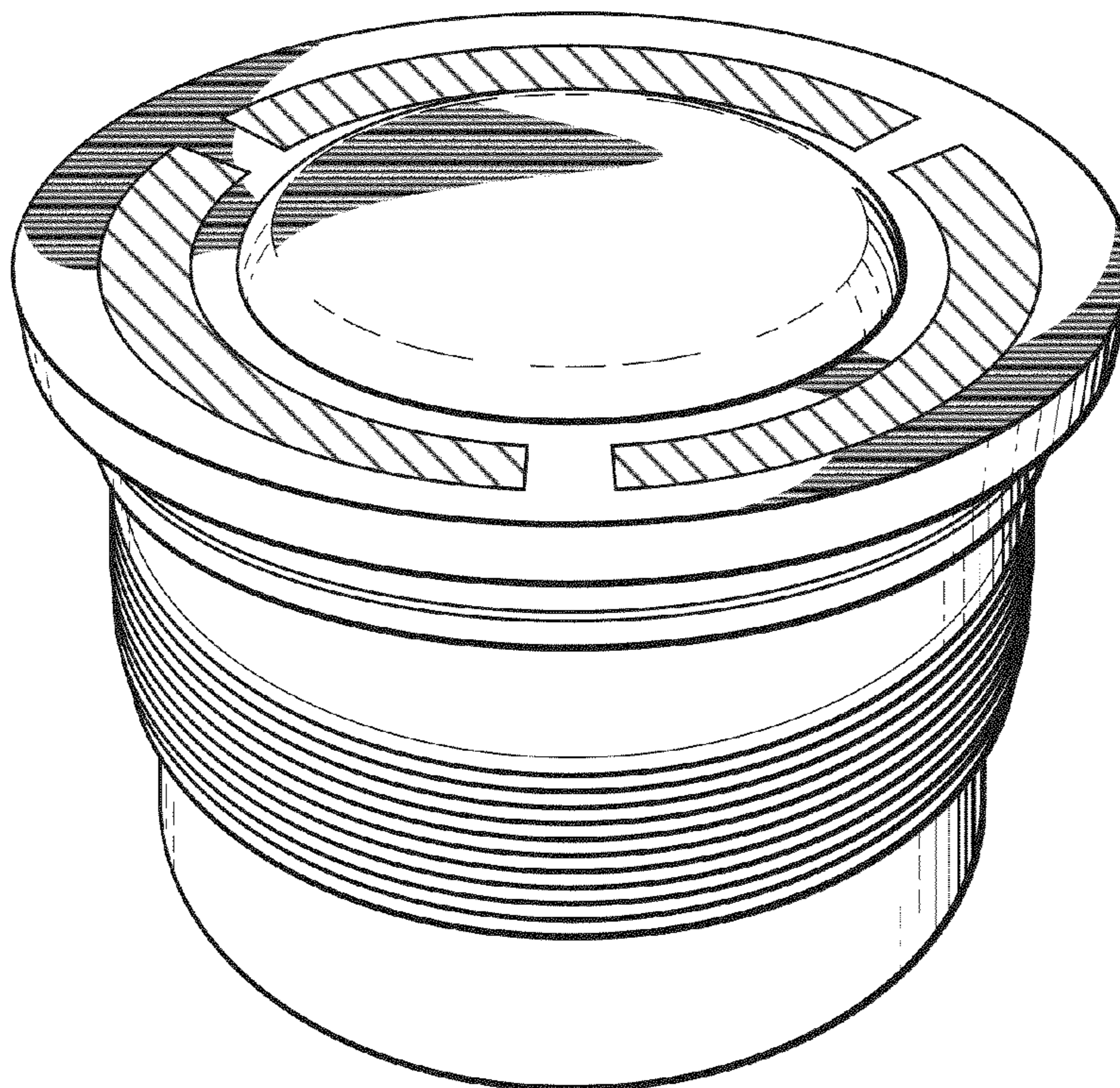
FIG. 6 is a top perspective view of a drain cartridge having light emanating therefrom.

5,154,024	A *	10/1992	Noel	52/12
D344,242	S *	2/1994	Weise et al.	D10/80
D351,220	S *	10/1994	Barnes	D23/260
6,640,350	B1	11/2003	Deutsch		
7,108,783	B2 *	9/2006	Glazik	210/163
7,497,234	B2 *	3/2009	Robinson	138/44
D612,912	S *	3/2010	Delaney et al.	D23/259
2006/0124519	A1 *	6/2006	Glazik	210/163
2008/0290012	A1 *	11/2008	Shih	210/163

The broken lines depicting an outline of a drain and objects around the drain cartridge form no part of the claimed design.

The dominant feature of my design resides in the light emitted from a portion of an upper surface of the cartridge that has been line shaded for color.

1 Claim, 4 Drawing Sheets



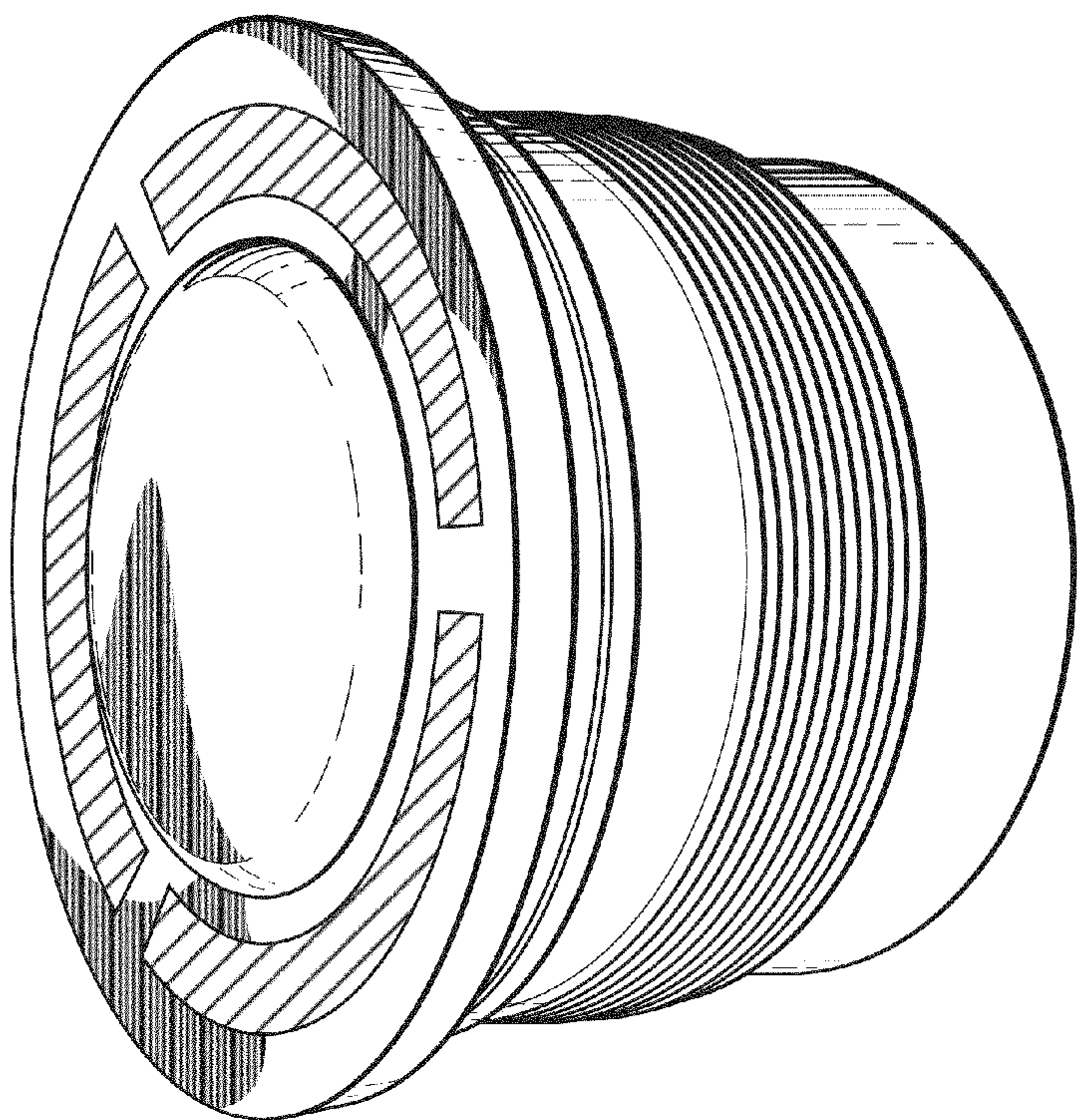


FIG. 1

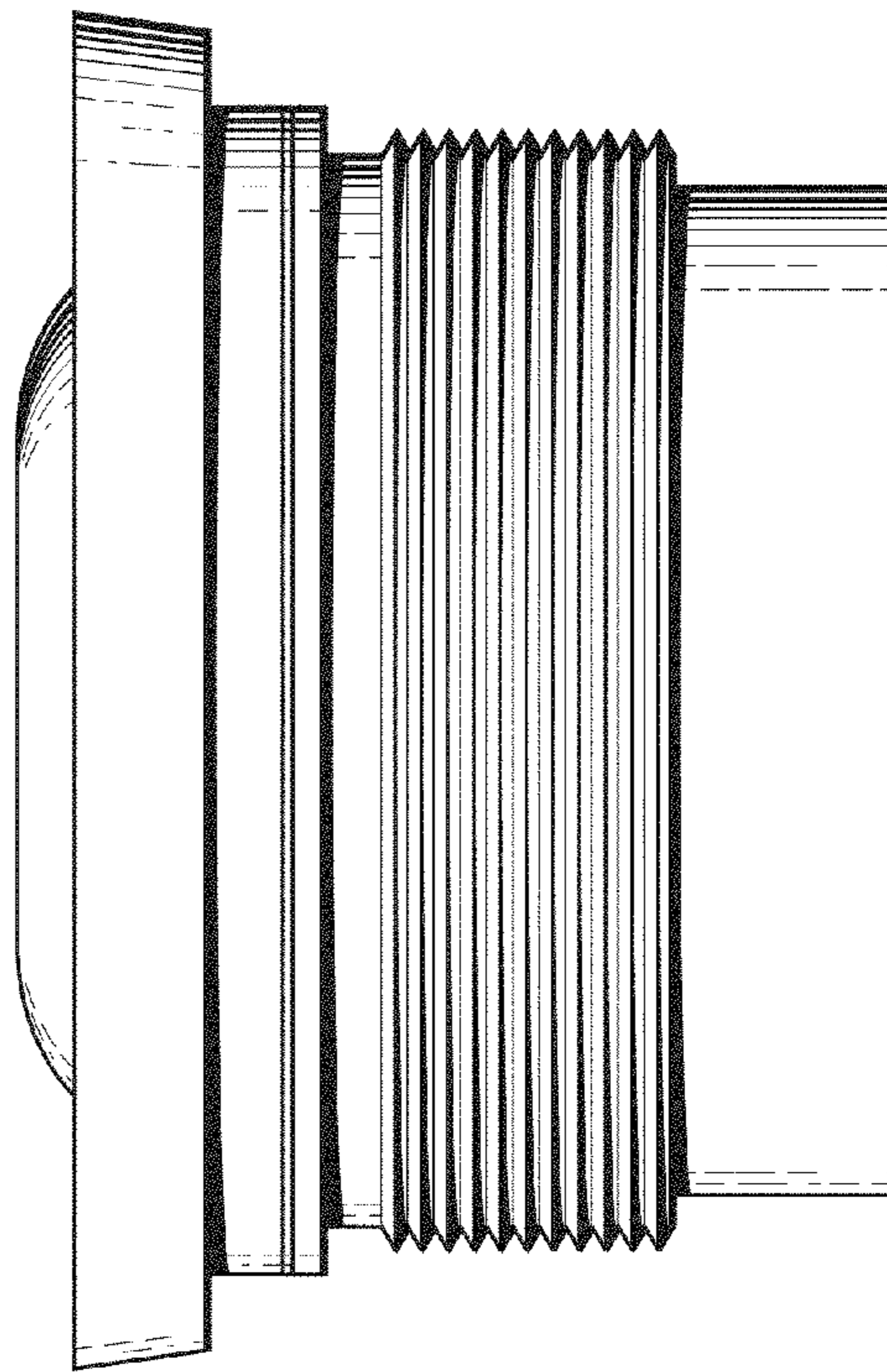


FIG. 2

FIG. 3

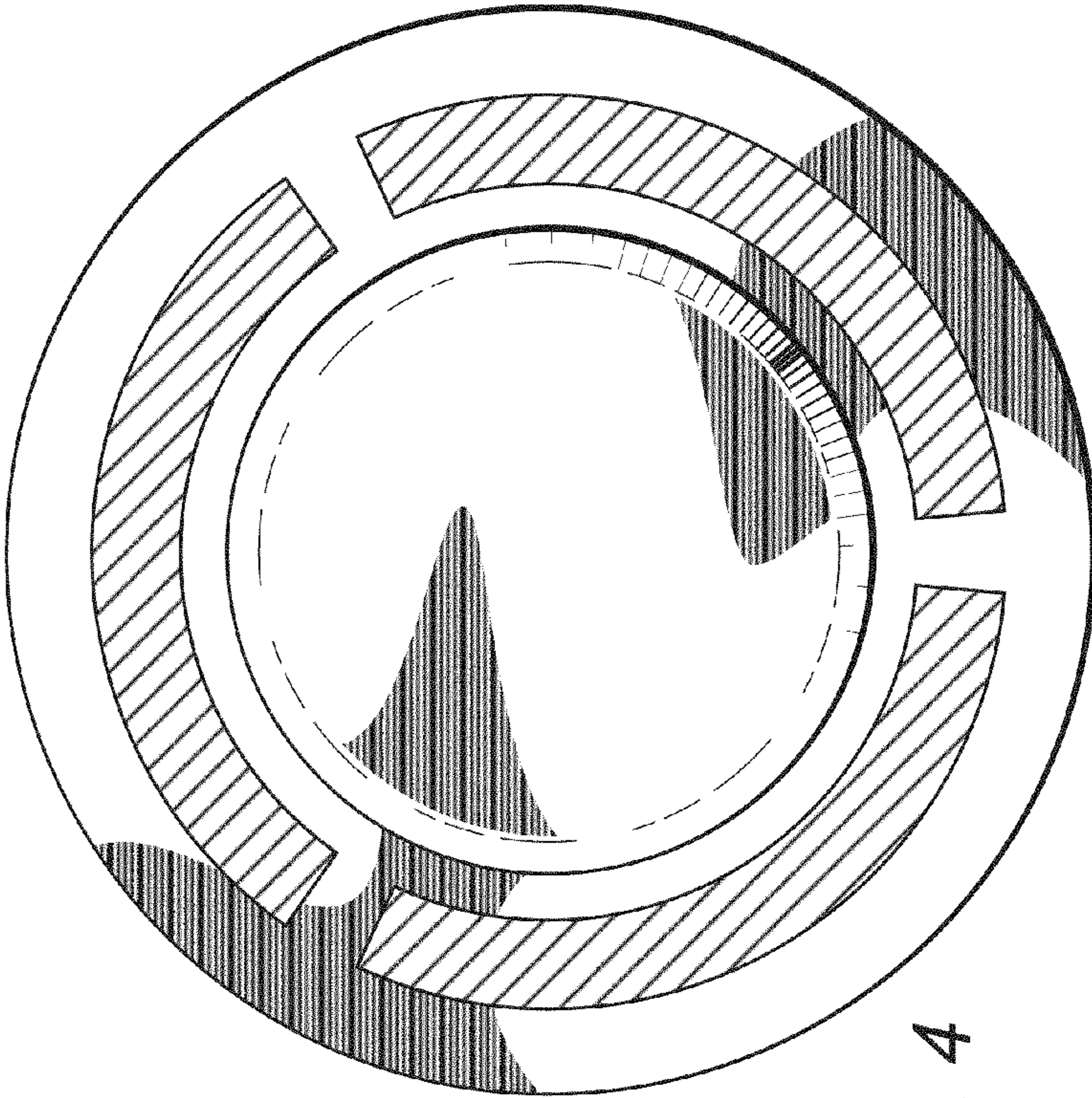
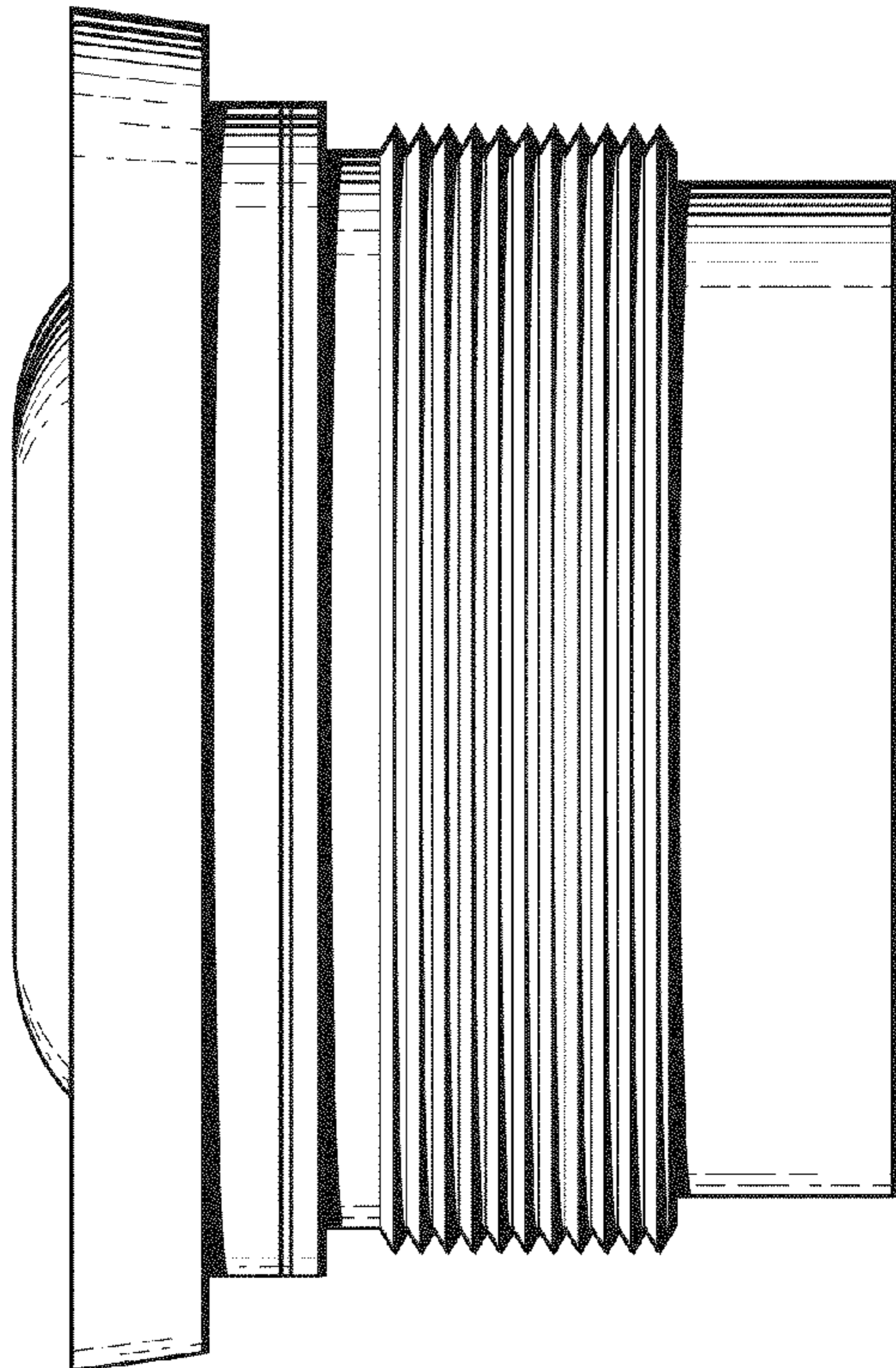


FIG. 4

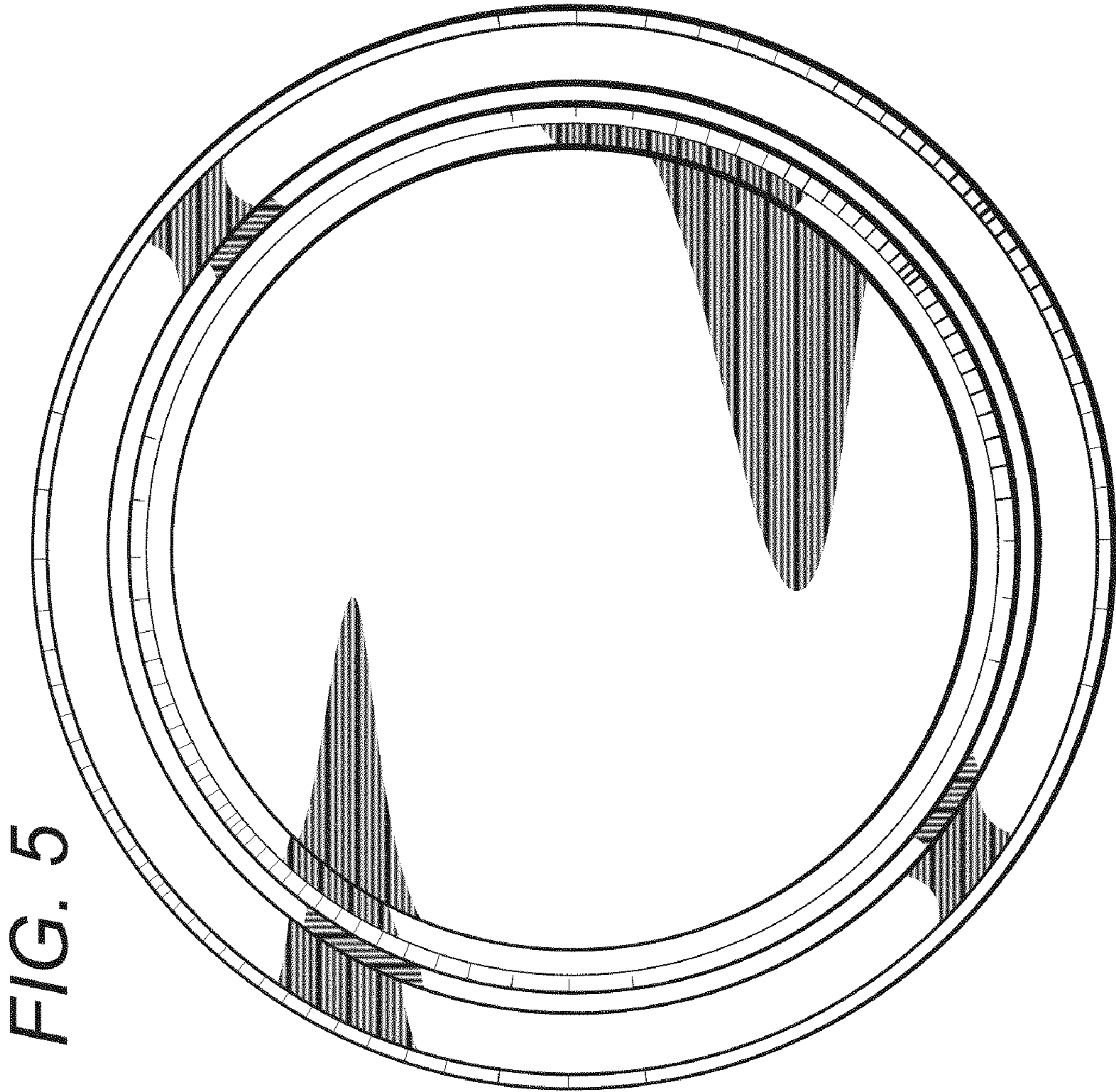


FIG. 5

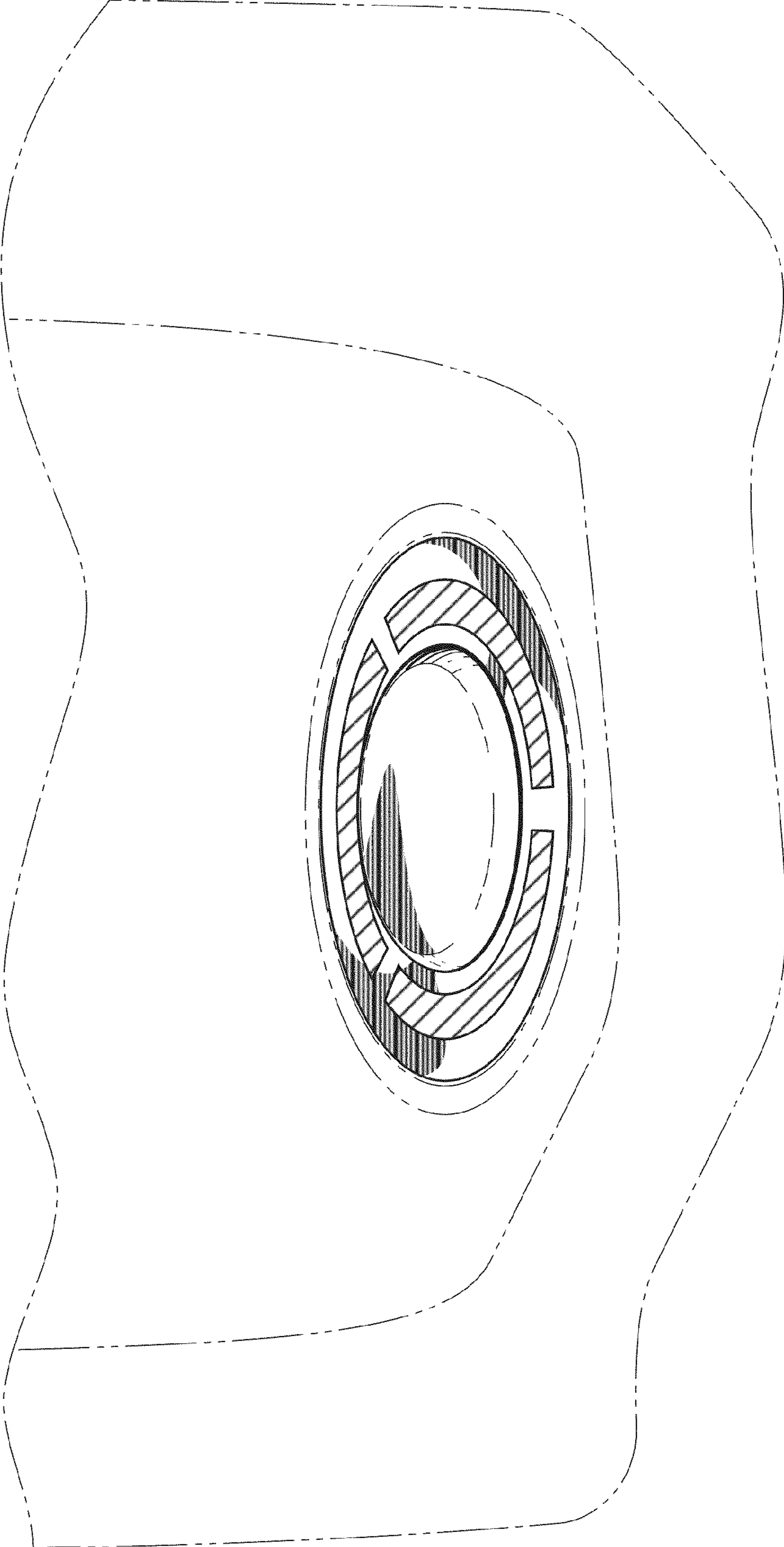


FIG. 6