



US00D621913S

(12) **United States Design Patent**
Burrow

(10) **Patent No.:** **US D621,913 S**

(45) **Date of Patent:** **** Aug. 17, 2010**

(54) **FEED TUBE**

(75) Inventor: **Mark A. Burrow**, Maumee, OH (US)

(73) Assignee: **Burrow Industries, Inc.**, Temperance, MI (US)

(**) Term: **14 Years**

(21) Appl. No.: **29/268,041**

(22) Filed: **Oct. 27, 2006**

(51) **LOC (9) Cl.** **23-01**

(52) **U.S. Cl.** **D23/249**

(58) **Field of Classification Search** D3/259,
D3/262, 266, 260, 244–249, 233–237; D8/300,
D8/310; D12/162; D15/144; D7/398, 312,
D7/313; 251/298, 309, 368, 62, 63, 63.5,
251/129.1, 129.16–129.18, 299–303; 137/498,
137/545, 547, 549, 377

See application file for complete search history.

(56) **References Cited**

U.S. PATENT DOCUMENTS

D199,924 S *	12/1964	Schlage	D8/310
3,578,289 A *	5/1971	Thevignot et al.	251/309
4,192,341 A *	3/1980	Hilmer	137/445
4,215,722 A *	8/1980	Sigmon	137/625.3
4,565,218 A *	1/1986	Yang	137/625.41
5,788,220 A *	8/1998	Meziere, Sr.	251/341
D401,542 S *	11/1998	Lindenman et al.	D12/162
D510,131 S *	9/2005	Karasawa	D23/262
D530,400 S *	10/2006	Ostergaard et al.	D23/262

* cited by examiner

Primary Examiner—Ian Simmons

Assistant Examiner—Carissa C Fitts

(74) *Attorney, Agent, or Firm*—Robert E. Witt

(57) **CLAIM**

The ornamental design for a feed tube, as shown and described.

DESCRIPTION

FIG. 1 is a perspective view of a feed tube embodying the new design:

FIG. 2 is a front view thereof, the rear view being a mirror image;

FIG. 3 is a top view thereof;

FIG. 4 is a bottom view thereof;

FIG. 5 is a perspective view thereof, showing environment;

FIG. 6 is a front view thereof, showing environment;

FIG. 7 is a right side view thereof, showing environment, the left side being a mirror image;

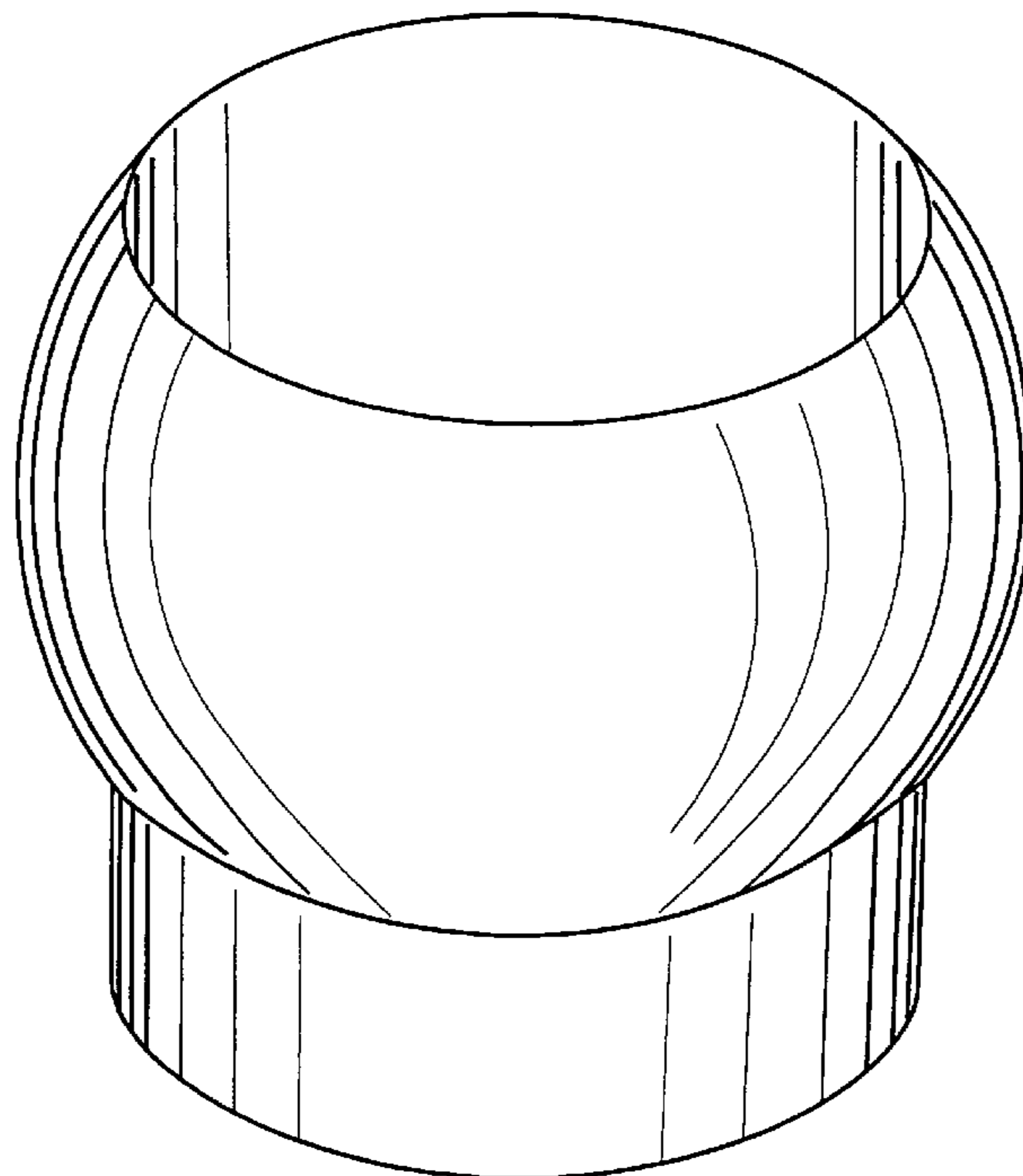
FIG. 8 is a top view thereof, showing environment; and,

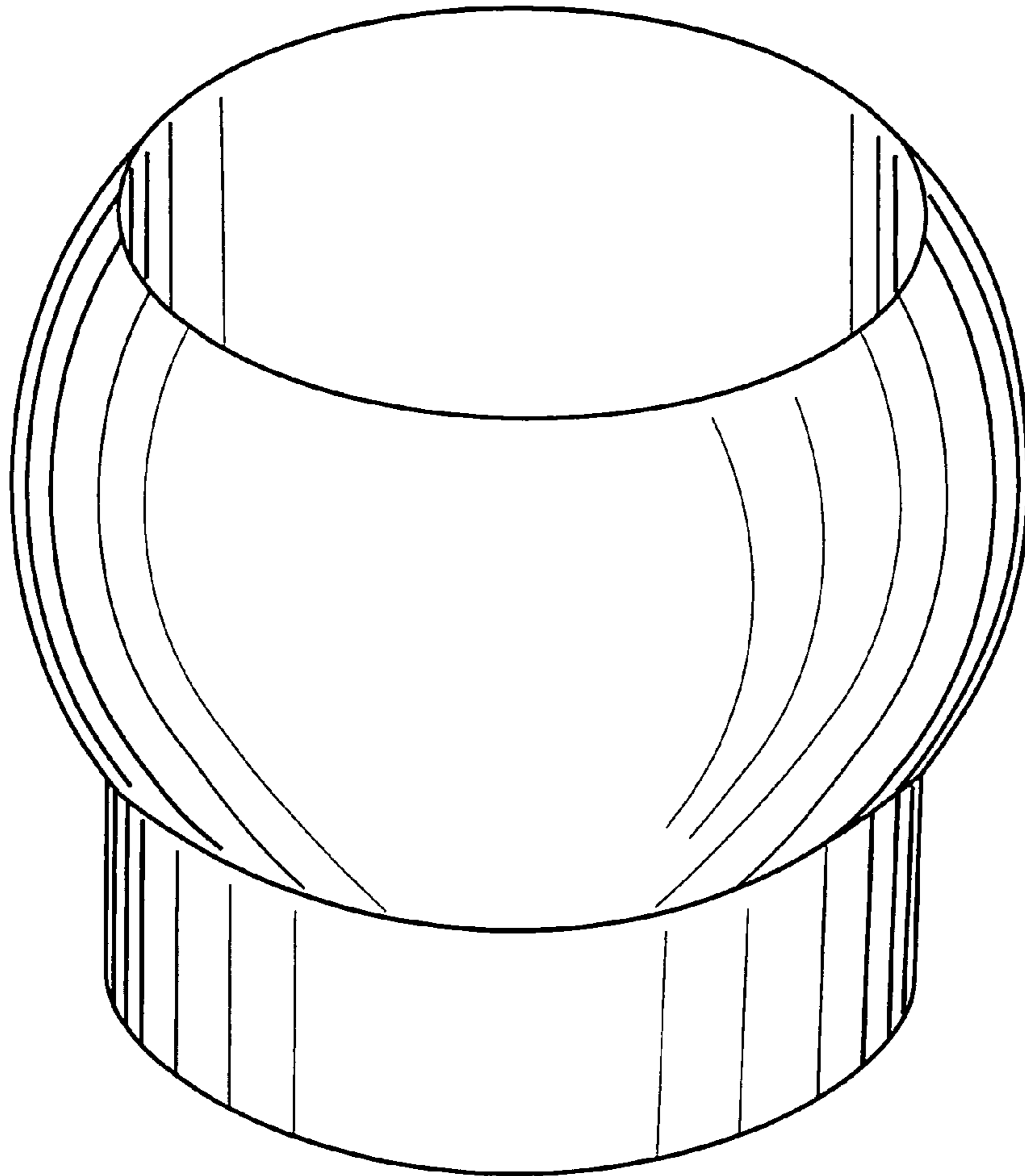
FIG. 9 is a bottom view thereof, showing environment.

The front view is identical to the back view (not shown) and the right side view is identical to the left side view (not shown) for the alternate embodiment.

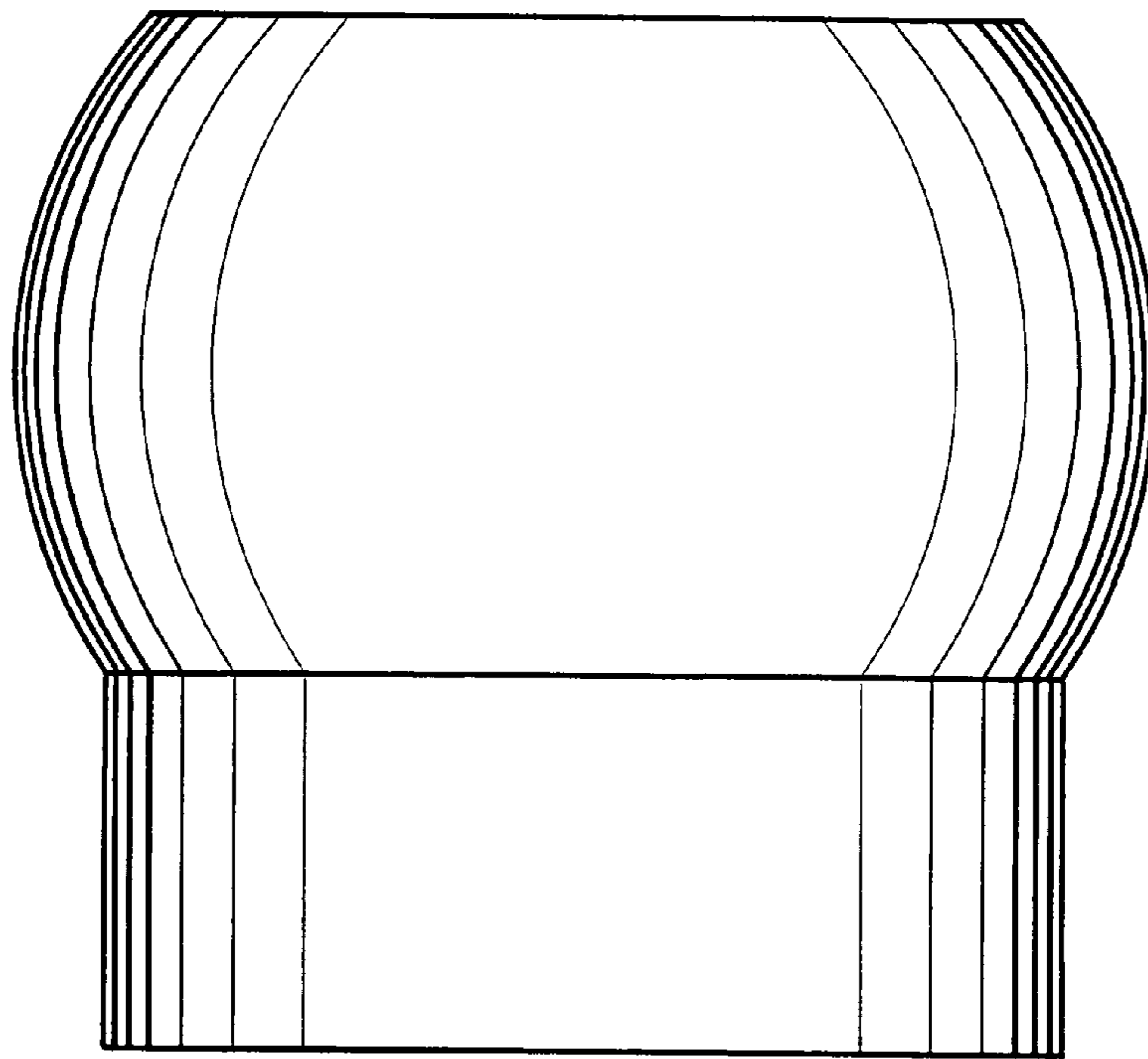
The broken line showing of the environmental structure forms no part of the claimed design.

1 Claim, 7 Drawing Sheets





—FIG. 1



—FIG. 2

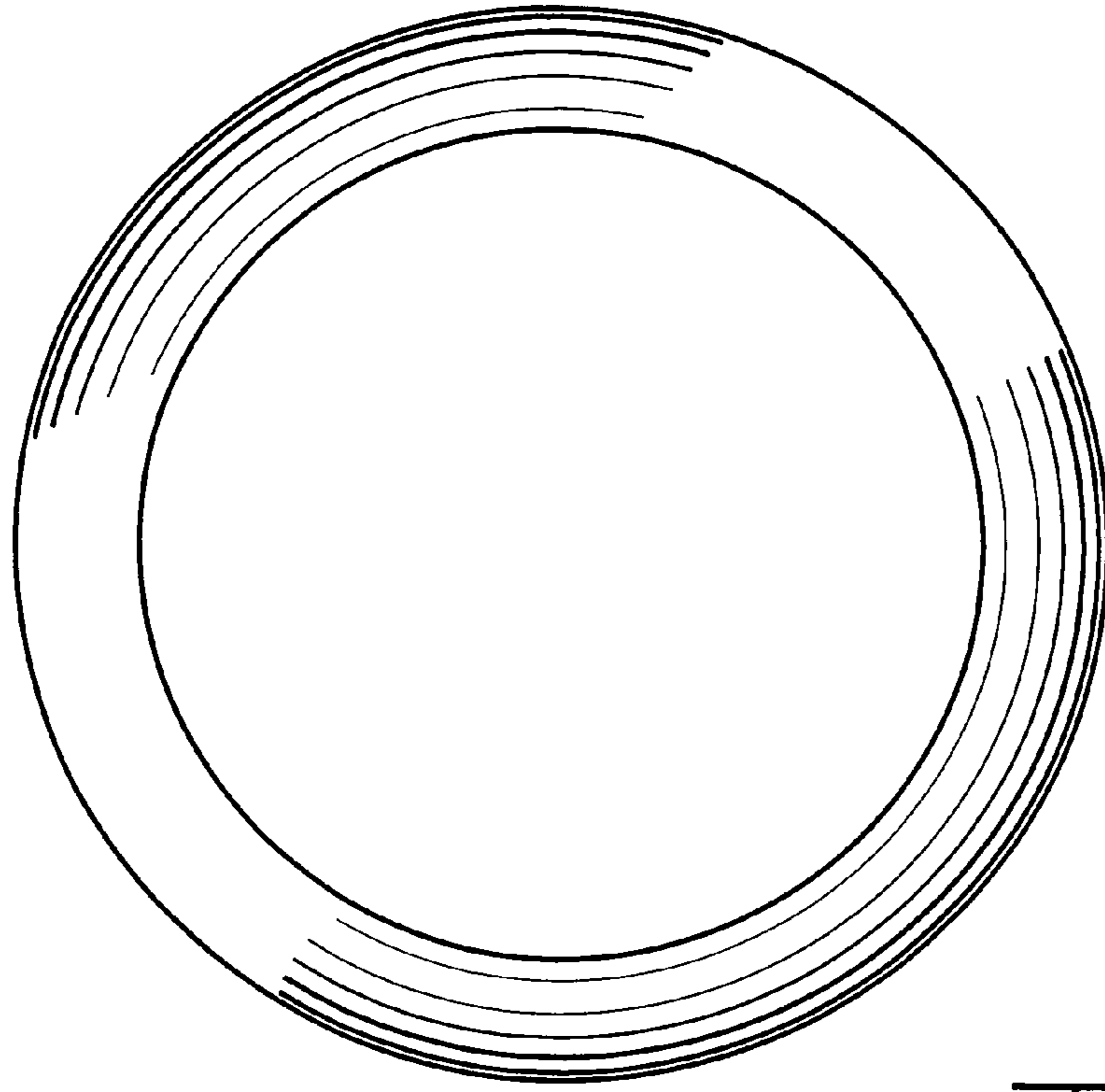


FIG. 3

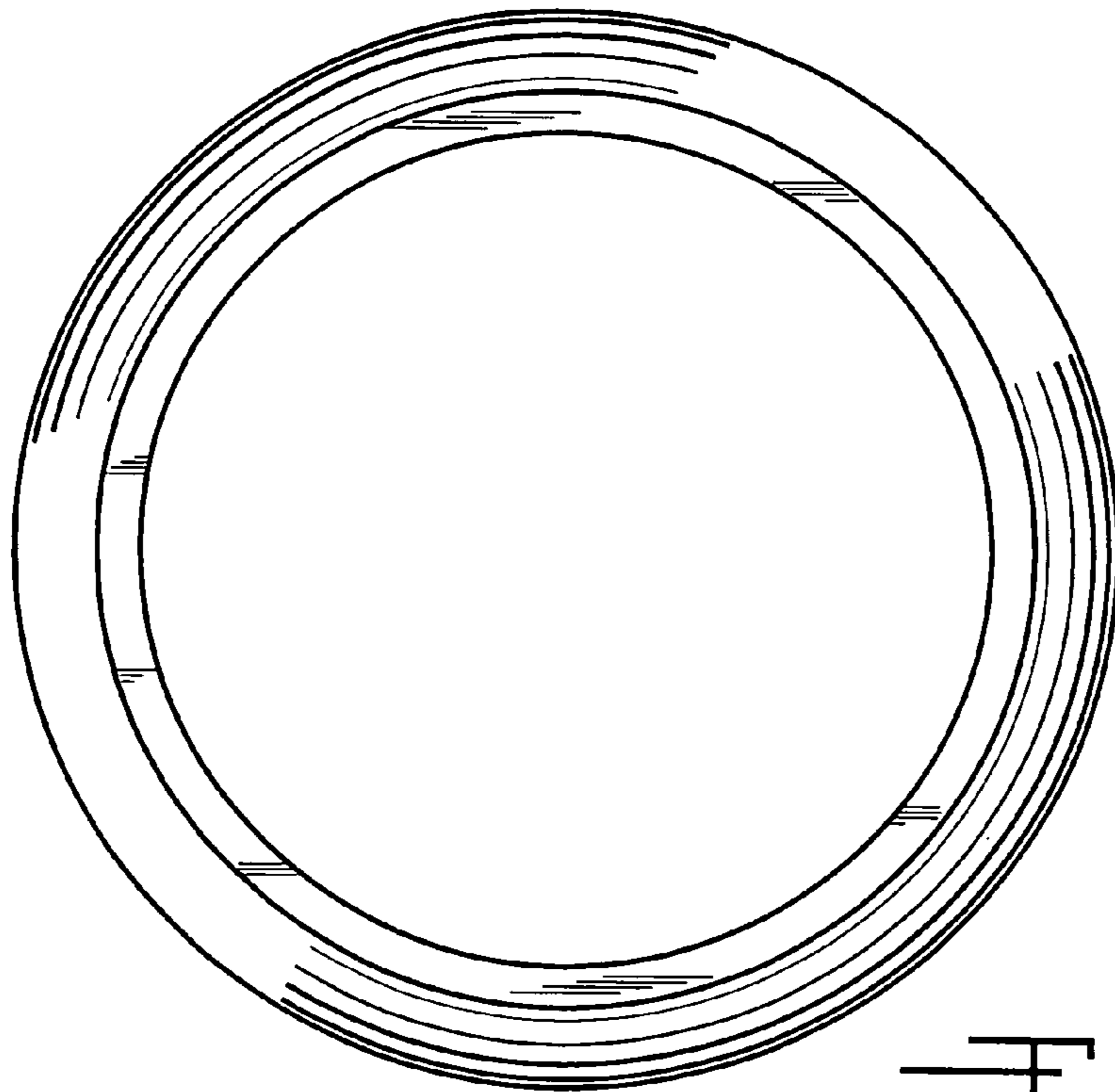
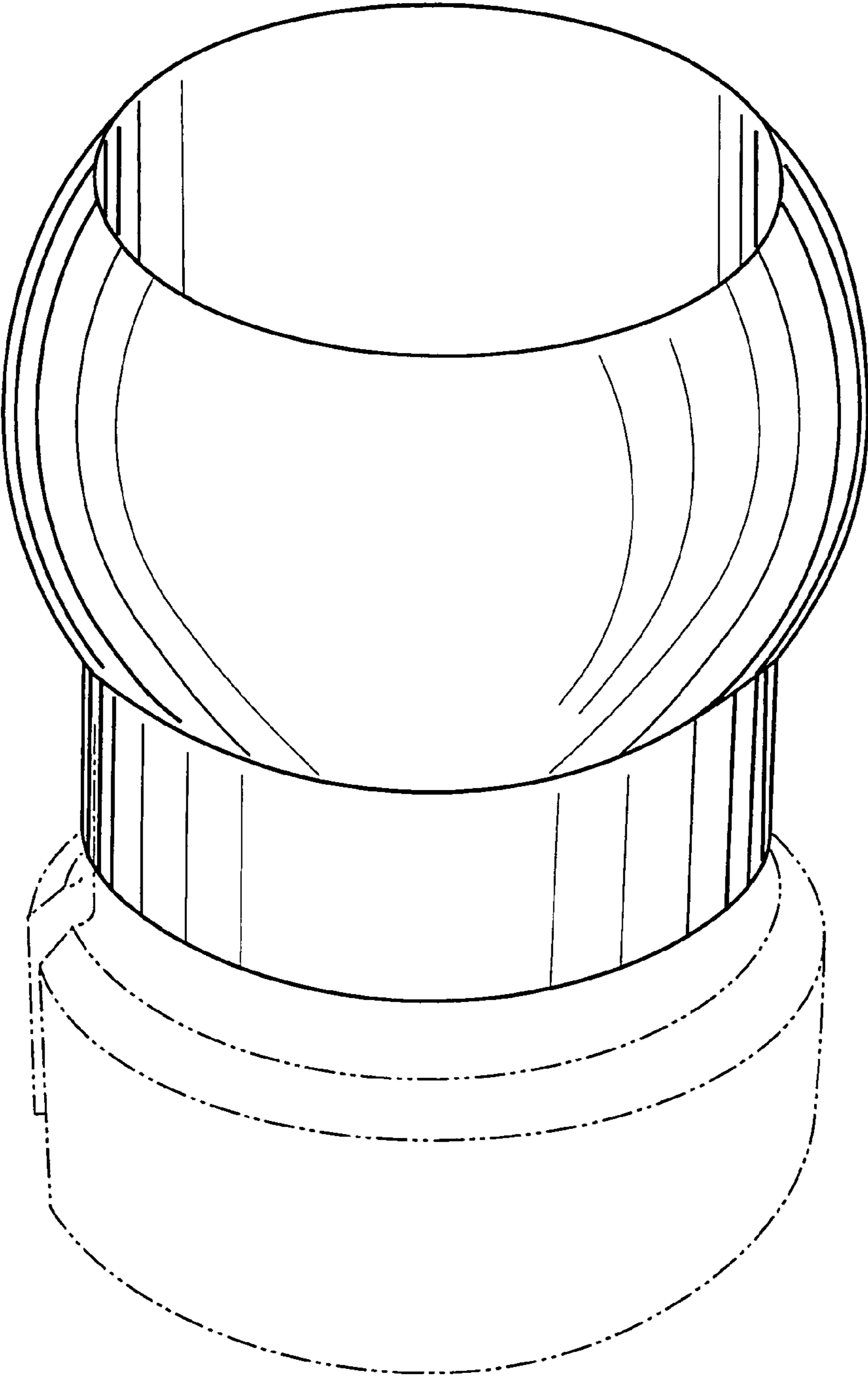
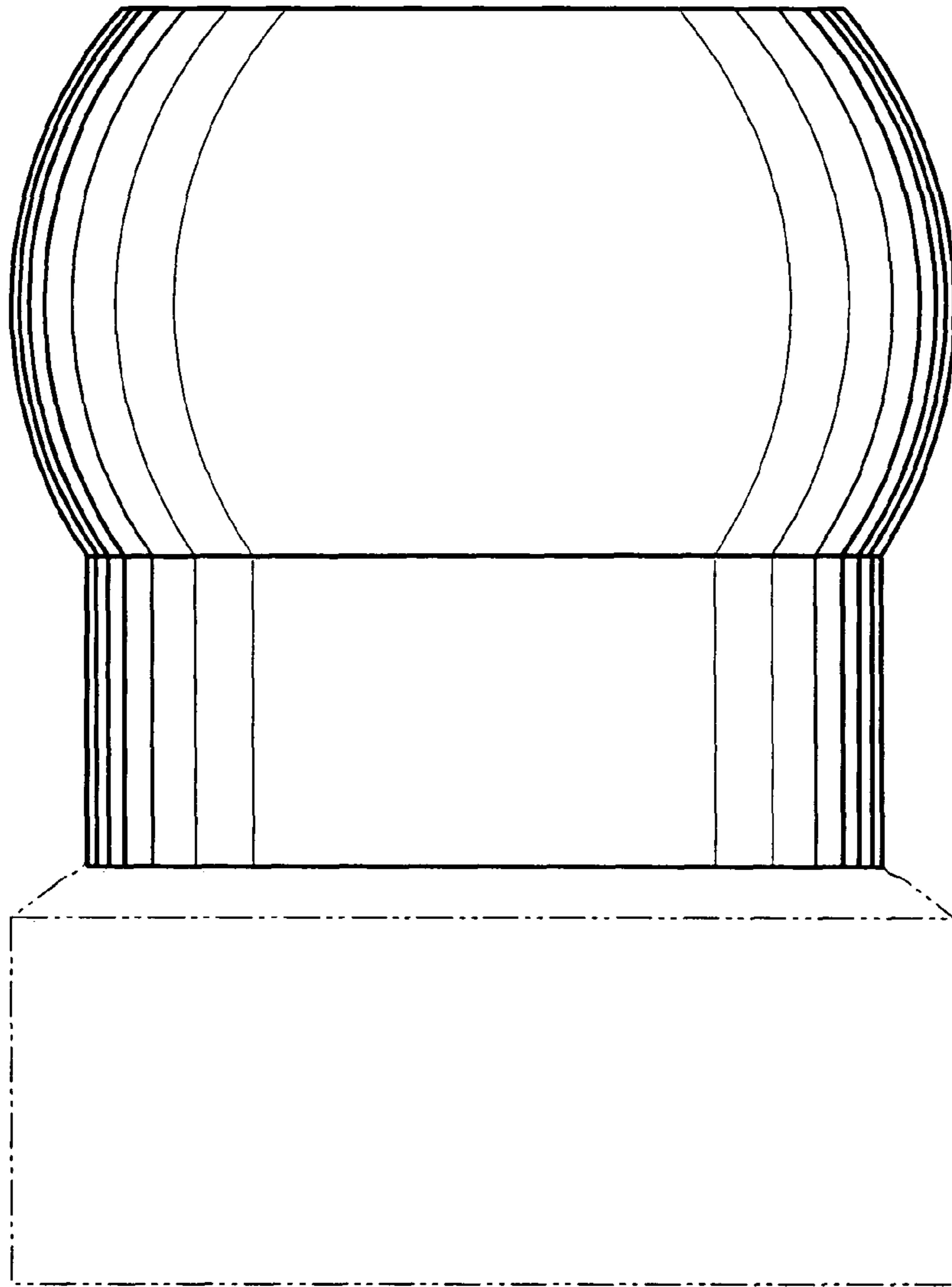


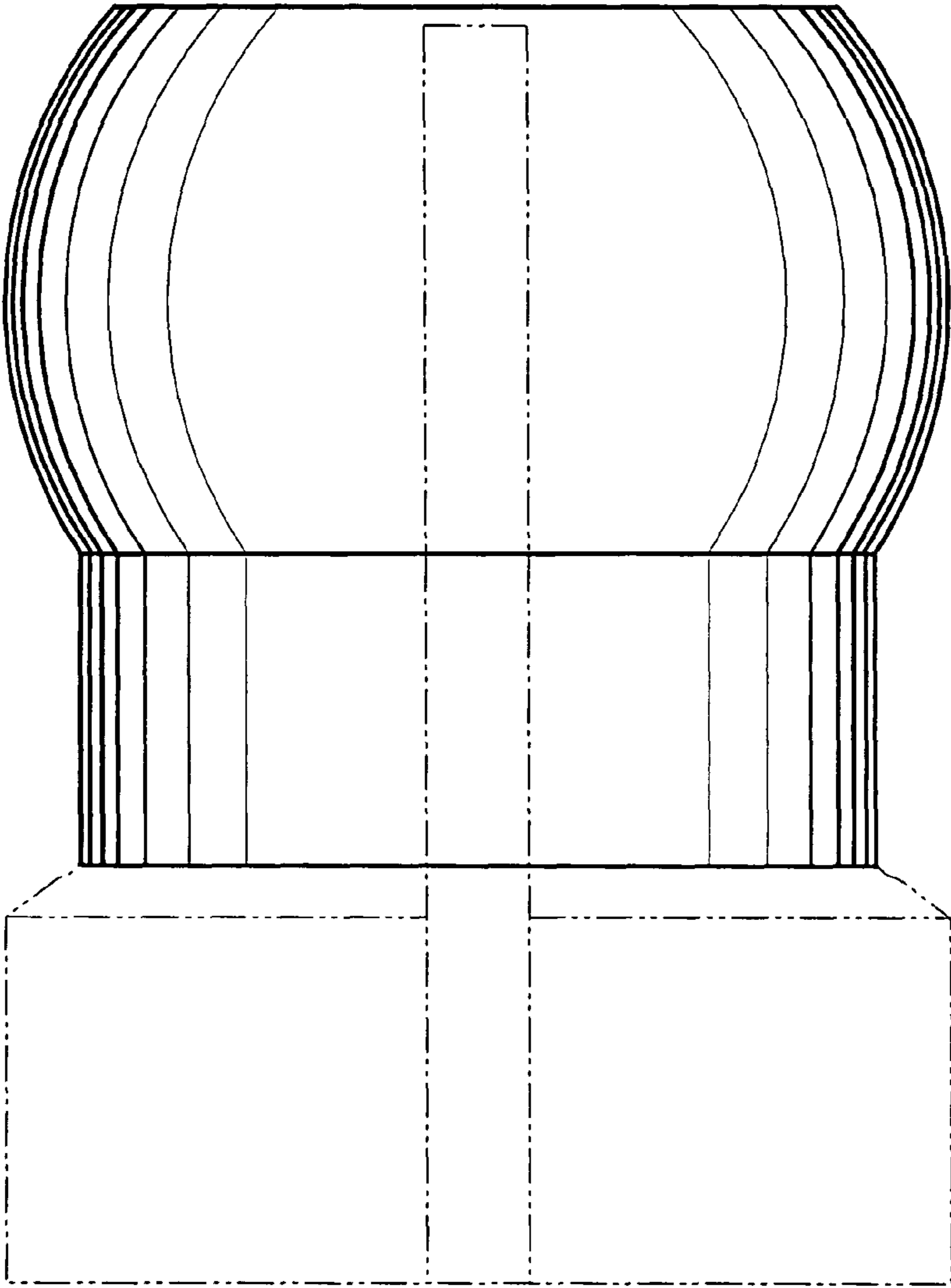
FIG. 4



—FIG. 5



— FIG. 6



—FIG. 7

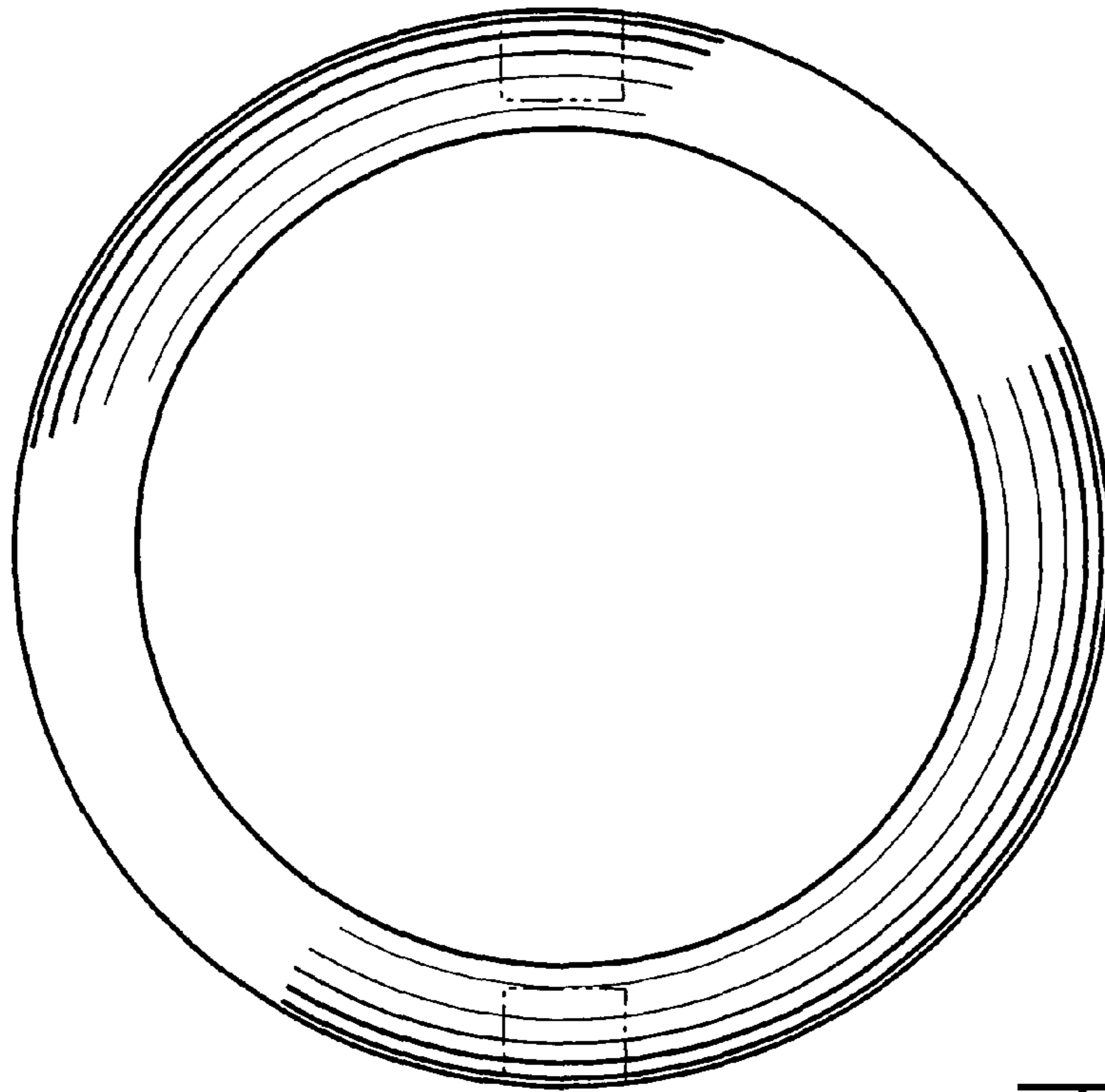


FIG. 8

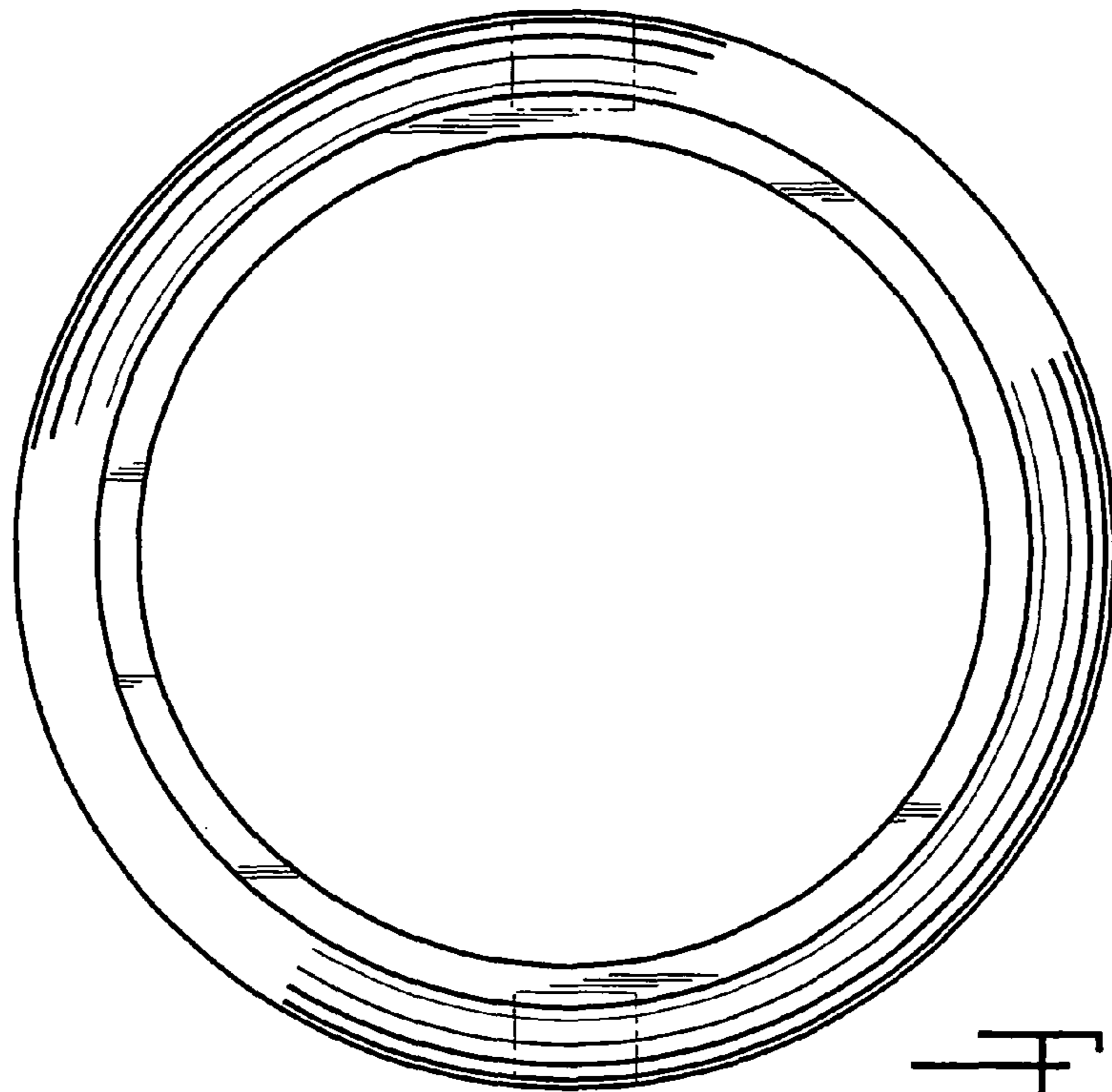


FIG. 9