



US00D621912S

(12) **United States Design Patent**
Wawrla

(10) **Patent No.:** **US D621,912 S**

(45) **Date of Patent:** **** Aug. 17, 2010**

(54) **SANITARY FITTING**

(75) Inventor: **Andreas Wawrla**, Widnau (CH)

(73) Assignee: **Aquis Sanitaer AG**, Rebstein (CH)

(**) Term: **14 Years**

(21) Appl. No.: **29/343,118**

(22) Filed: **Sep. 8, 2009**

(30) **Foreign Application Priority Data**

Mar. 9, 2009 (EM) 001101695-0001

(51) **LOC (9) Cl.** **23-02**

(52) **U.S. Cl.** **D23/238; D23/255**

(58) **Field of Classification Search** D23/238-243,
D23/255-257; 4/676-678; 137/801

See application file for complete search history.

(56) **References Cited**

U.S. PATENT DOCUMENTS

D531,280 S * 10/2006 Kohler et al. D23/255

D546,424 S * 7/2007 Kohler et al. D23/255

D551,326 S * 9/2007 Zhu D23/257

* cited by examiner

Primary Examiner—Robert A Delehanty

(74) *Attorney, Agent, or Firm*—Factor & Lake, Ltd

(57) **CLAIM**

The ornamental design for sanitary fitting, as shown and described.

DESCRIPTION

FIG. 1 is front a perspective view of the sanitary fitting showing a new ornamental design thereof;

FIG. 2 is a rear perspective view of the sanitary fitting shown in FIG. 1;

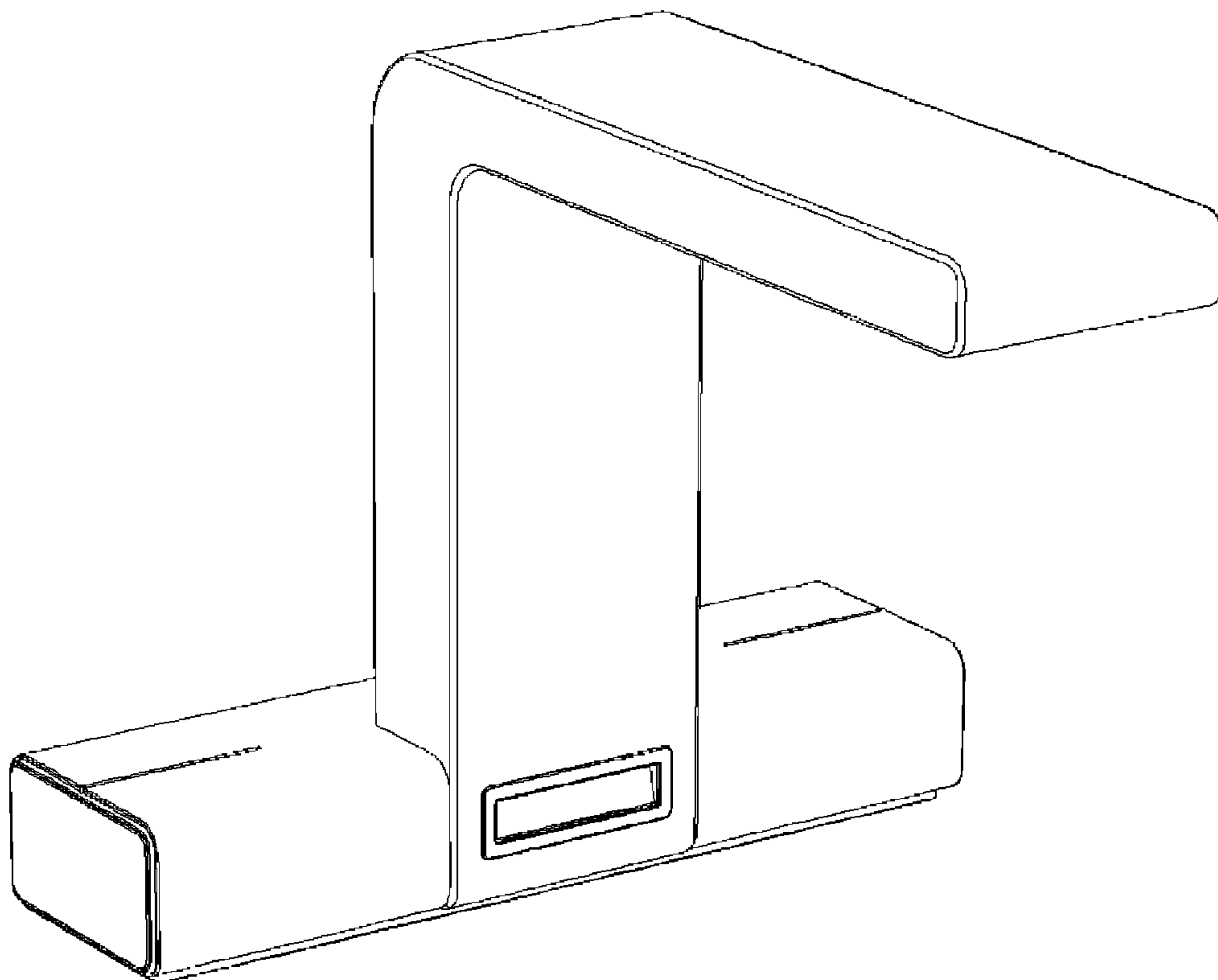
FIG. 3 is a left elevation view of the sanitary fitting shown in FIG. 1;

FIG. 4 is a front elevation view of the sanitary fitting shown in FIG. 1;

FIG. 5 is a top plan view of the sanitary fitting shown in FIG. 1; and,

FIG. 6 is a rear elevation view of the sanitary fitting shown in FIG. 1.

1 Claim, 6 Drawing Sheets



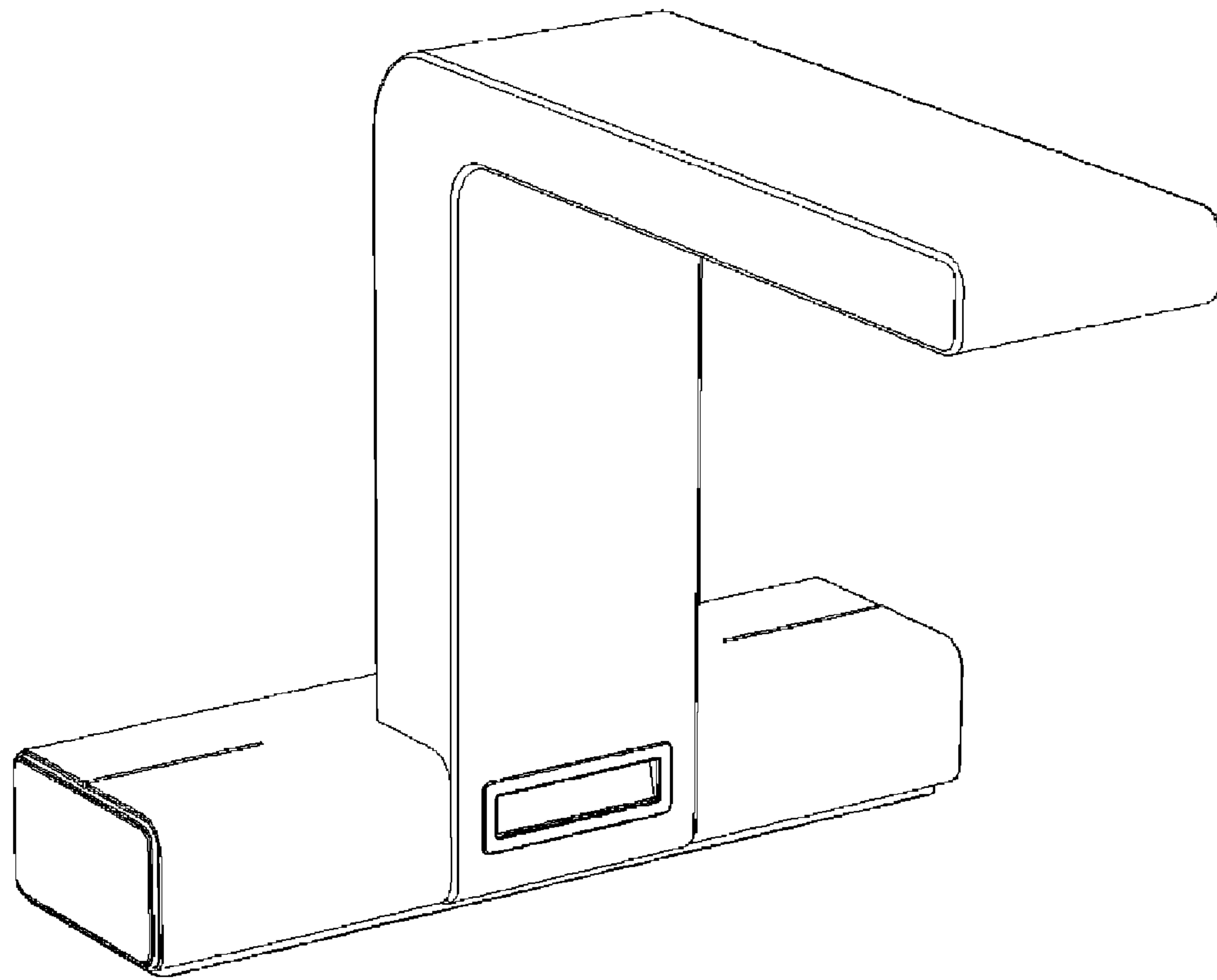


Fig. 1

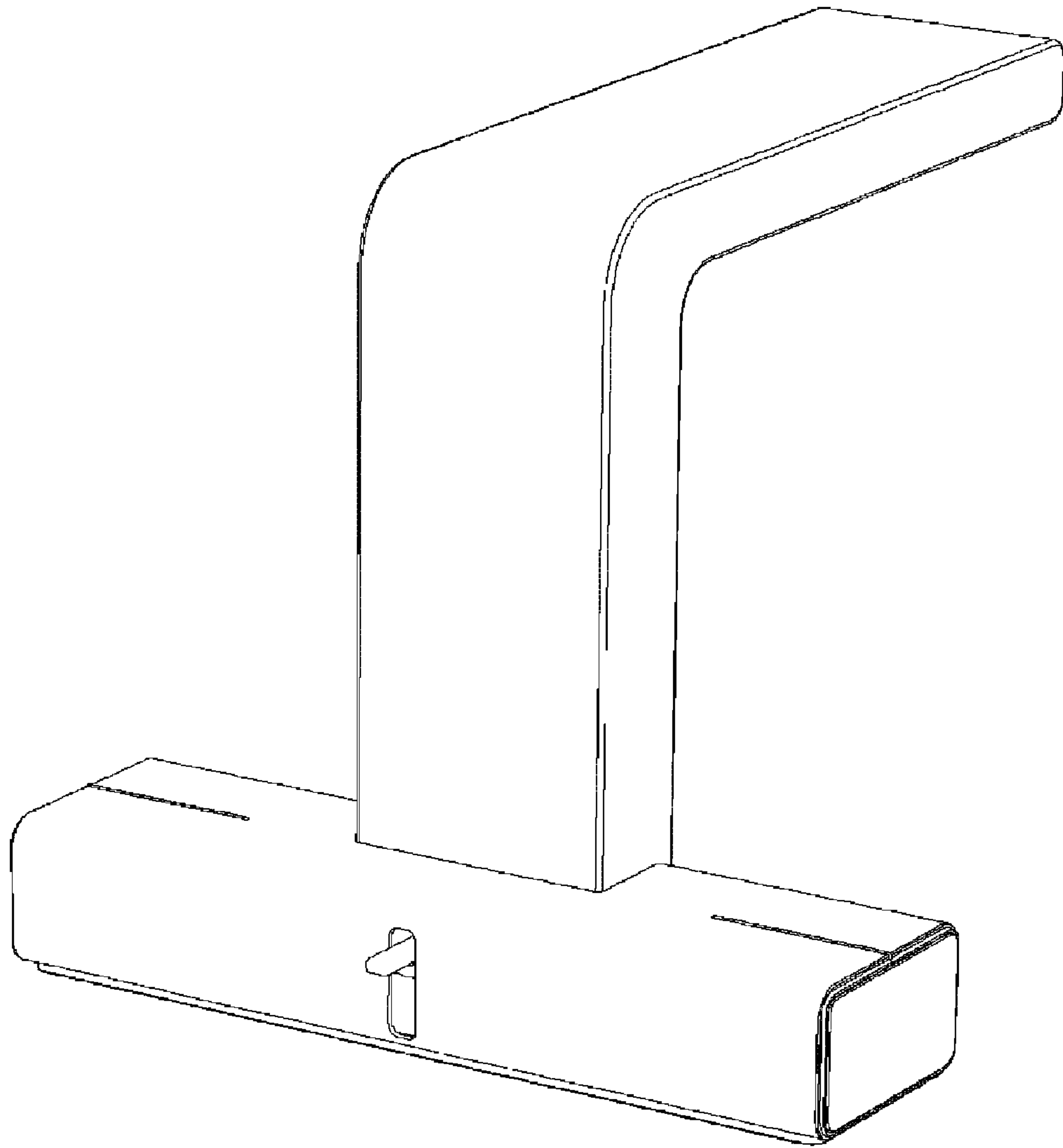


Fig. 2

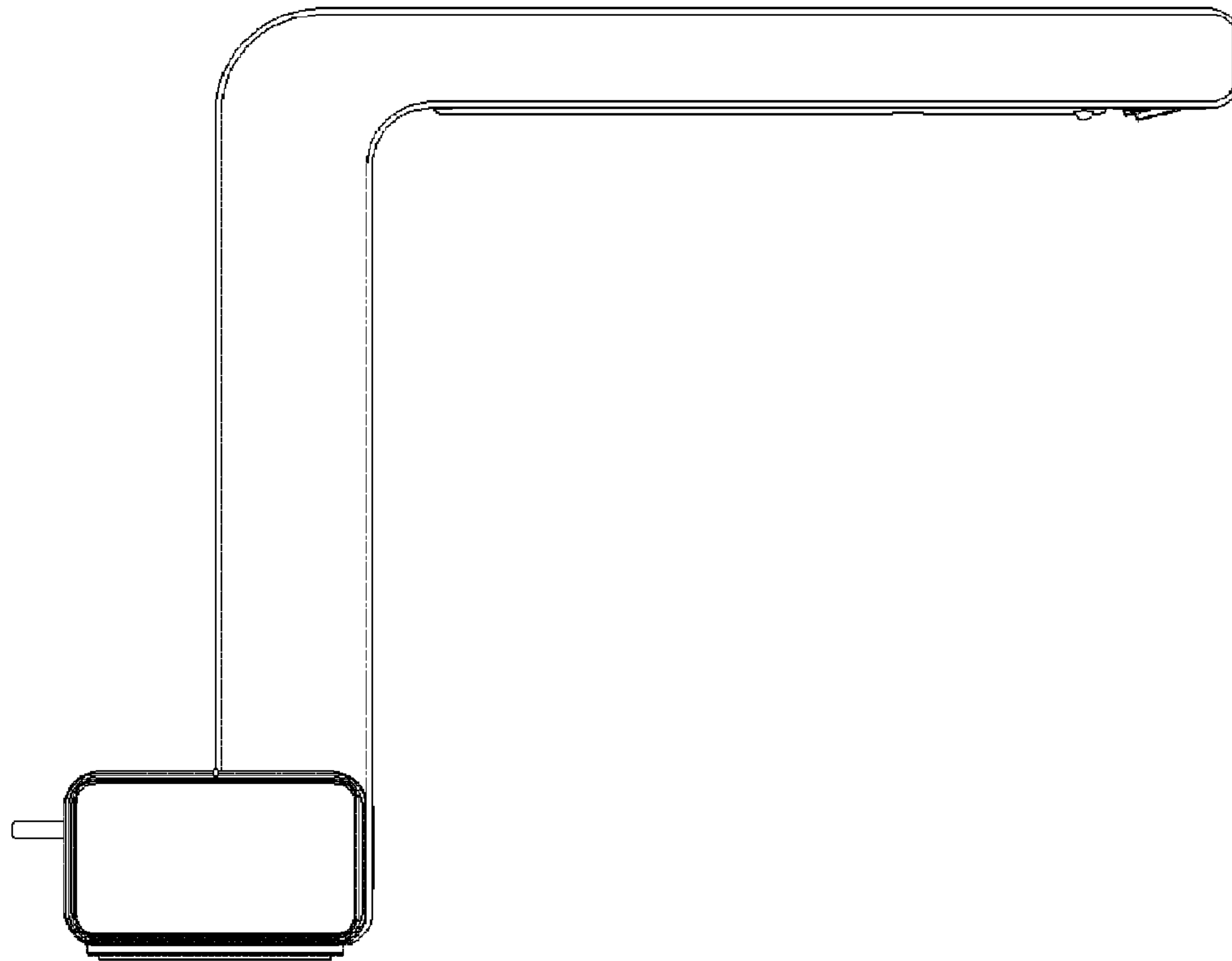


Fig. 3

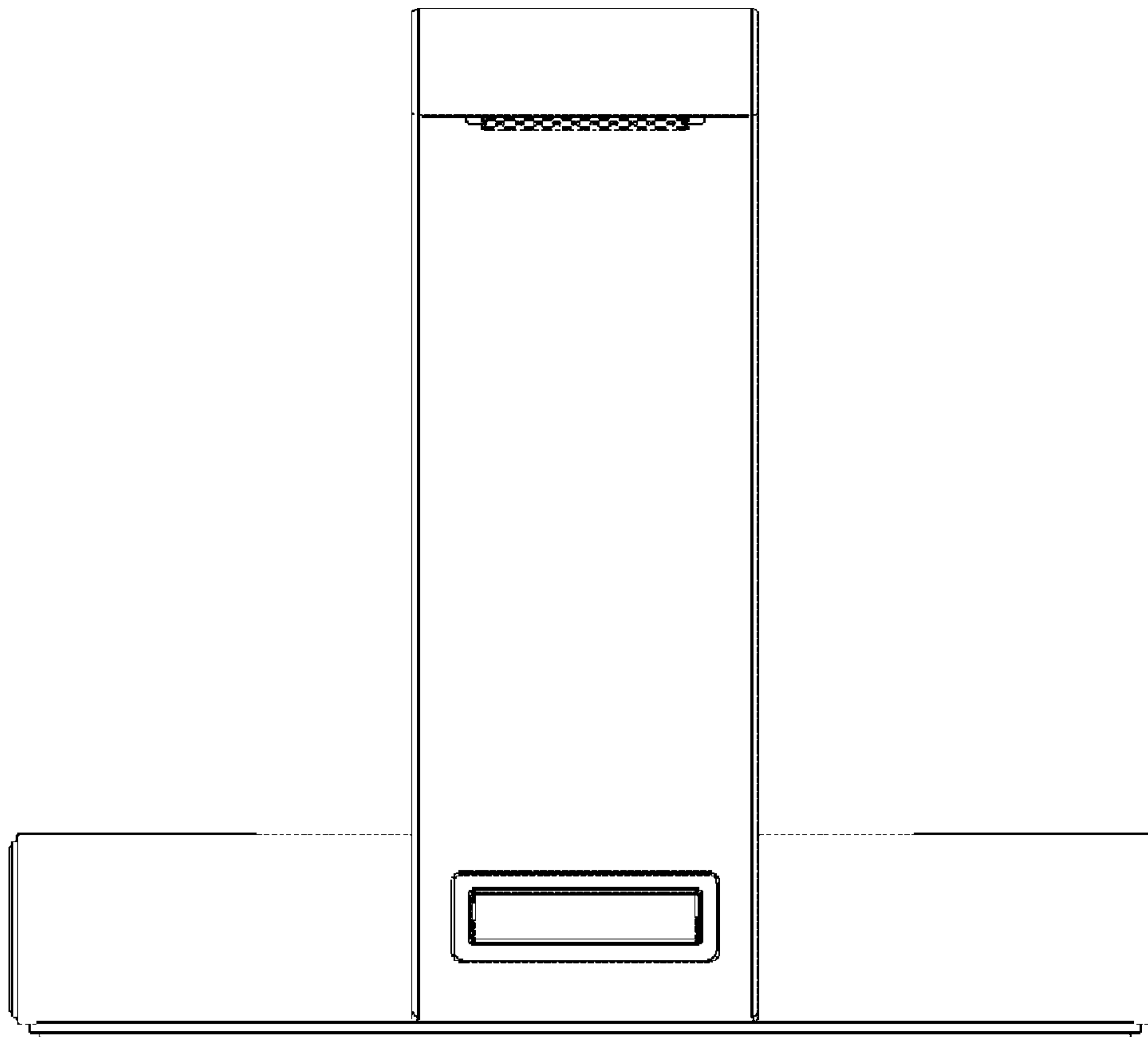


Fig. 4

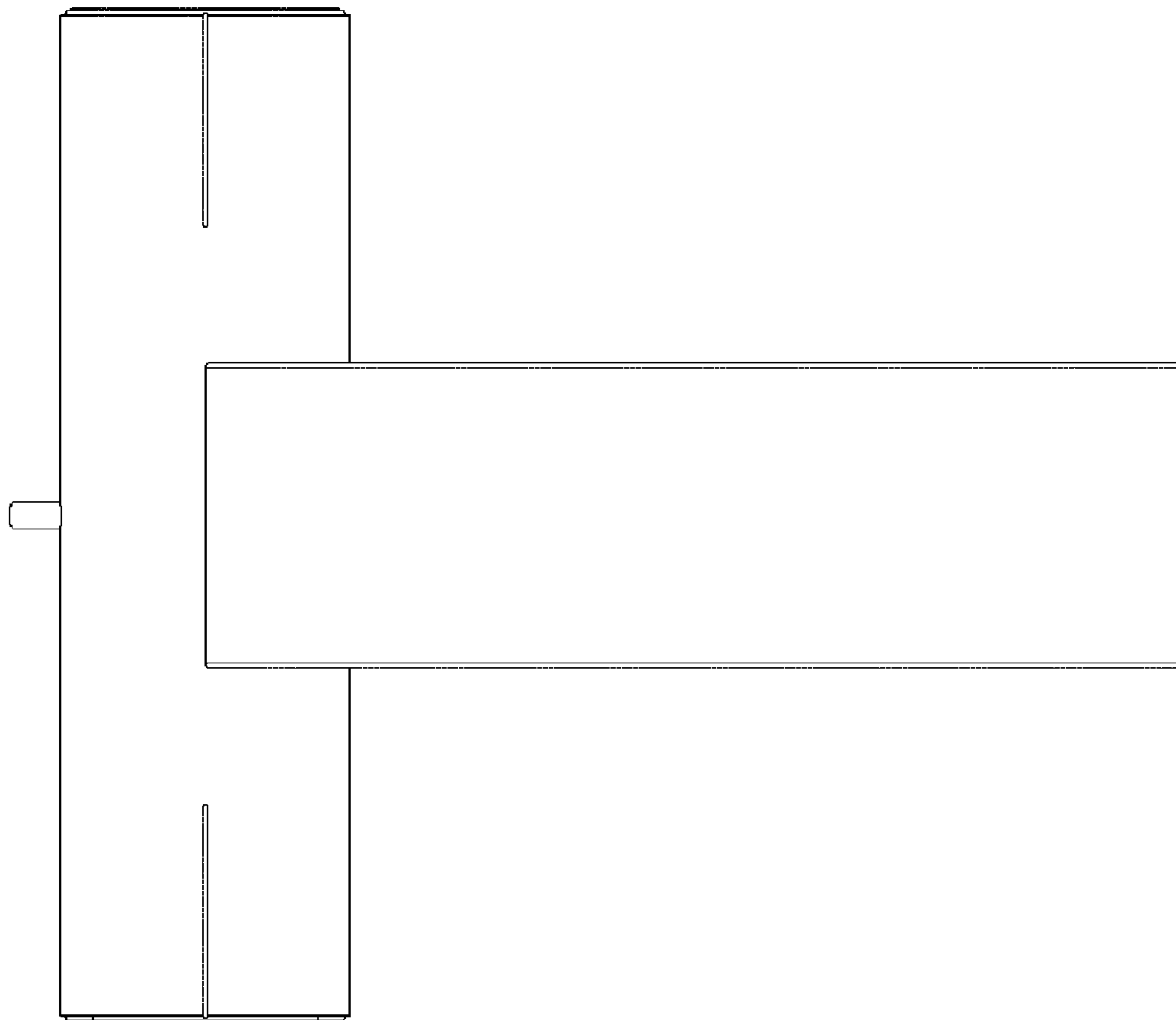


Fig. 5

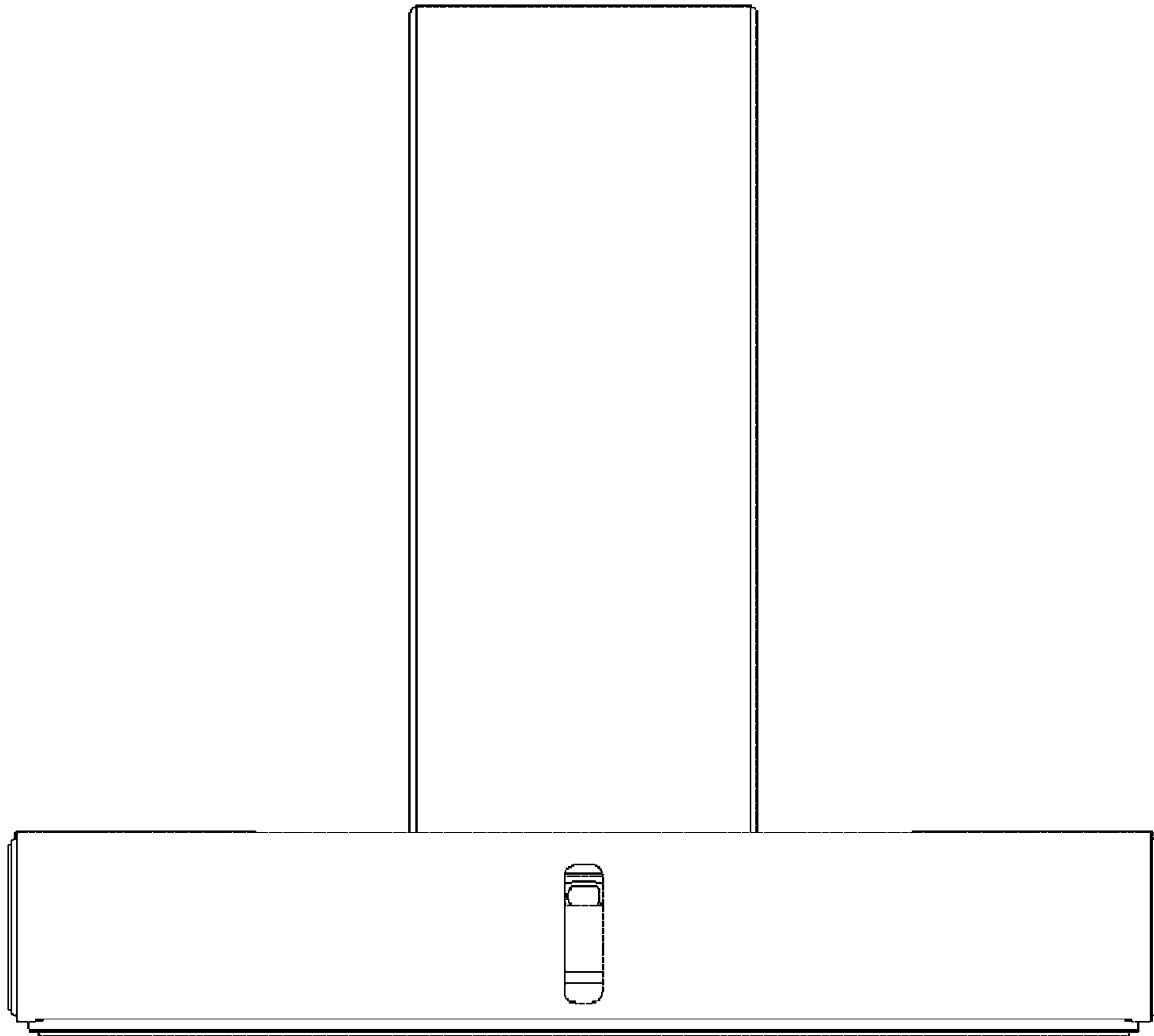


Fig. 6