



US00D621907S

(12) **United States Design Patent**
Miller et al.

(10) **Patent No.:** **US D621,907 S**

(45) **Date of Patent:** **** Aug. 17, 2010**

(54) **SHOWERHEAD**

D569,479 S * 5/2008 Genord et al. D23/223
D578,604 S * 10/2008 Wu et al. D23/223
D581,484 S * 11/2008 Schoenherr et al D23/223

(75) Inventors: **Michael Miller**, Portage, MI (US);
Julian Giggs, Hillsdale, MI (US)

* cited by examiner

(73) Assignee: **Alsons Corporation**, Hillsdale, MI (US)

Primary Examiner—Robin V Webster

(**) Term: **14 Years**

(74) *Attorney, Agent, or Firm*—Edgar A. Zarins; Nirav D. Parikh

(21) Appl. No.: **29/345,351**

(57) **CLAIM**

(22) Filed: **Oct. 14, 2009**

The ornamental design for a showerhead, as shown and described.

(51) **LOC (9) Cl.** **23-01**

(52) **U.S. Cl.** **D23/223**

(58) **Field of Classification Search** D23/213,
D23/223, 226; 239/525–527, 282–283, 462;
4/615

DESCRIPTION

See application file for complete search history.

FIG. 1 is a perspective view of a showerhead showing my new design;

FIG. 2 is a front elevational view thereof;

(56) **References Cited**

FIG. 3 is a left side view thereof, the opposite side being a mirror image of the side shown;

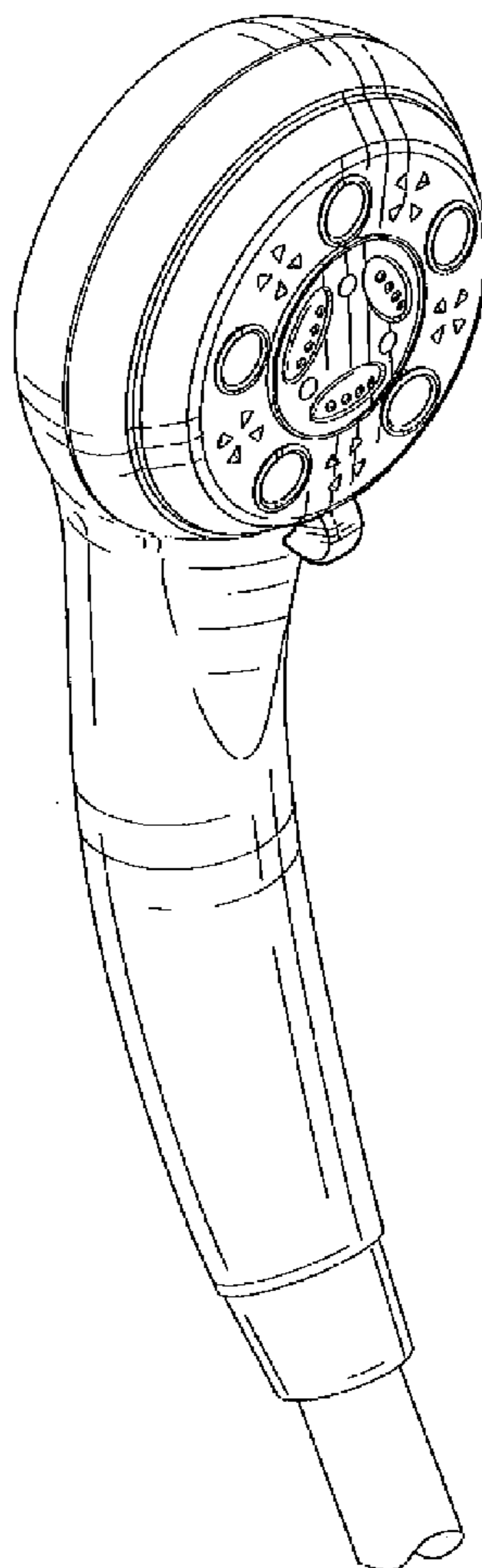
U.S. PATENT DOCUMENTS

FIG. 4 is a top plan view thereof; and,

D546,919 S * 7/2007 Dingler et al. D23/223
D547,421 S * 7/2007 Lobermeier D23/223
D560,753 S * 1/2008 Chung D23/223
D567,330 S * 4/2008 Miedzius D23/223

FIG. 5 is a bottom view thereof.

1 Claim, 2 Drawing Sheets



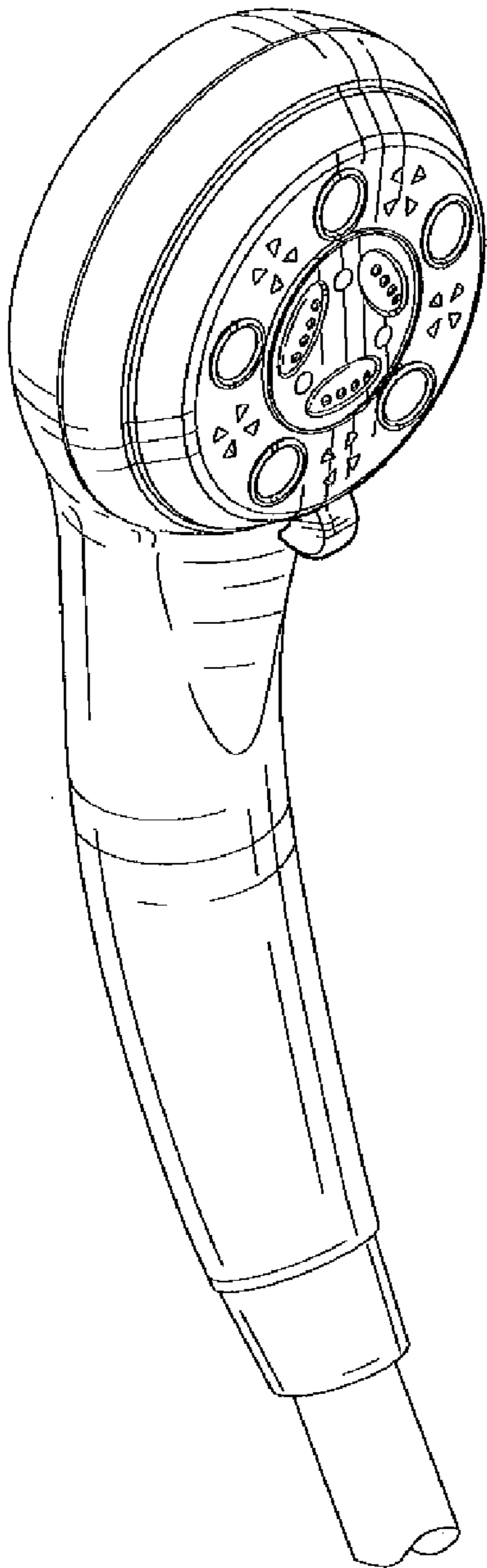


Fig-1

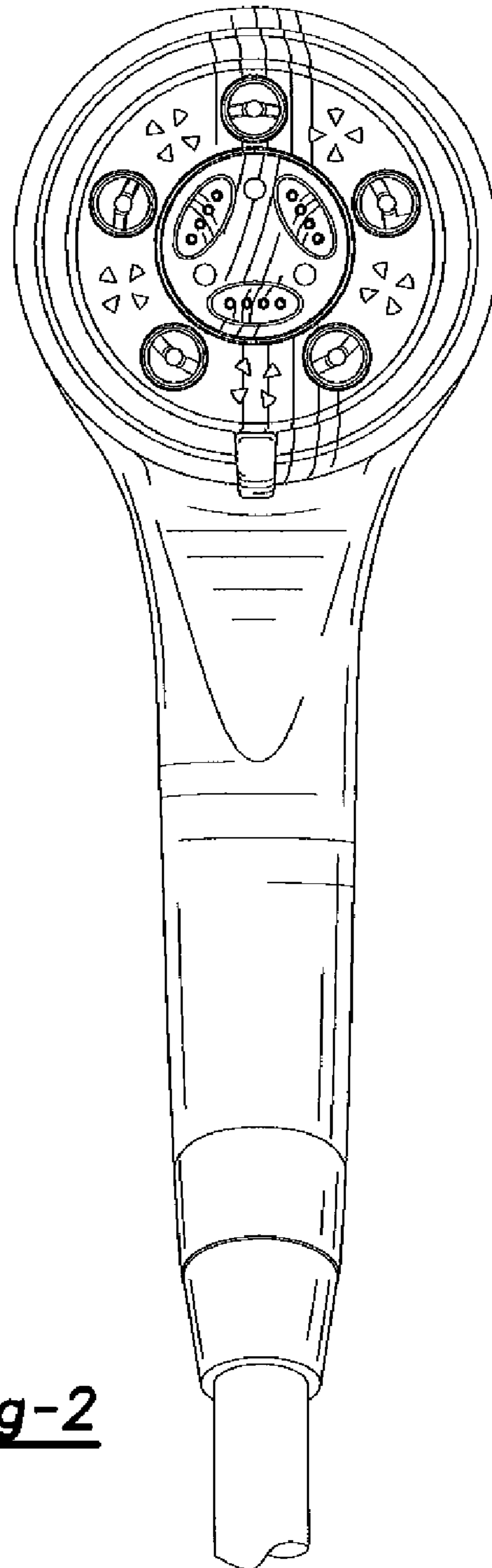


Fig-2

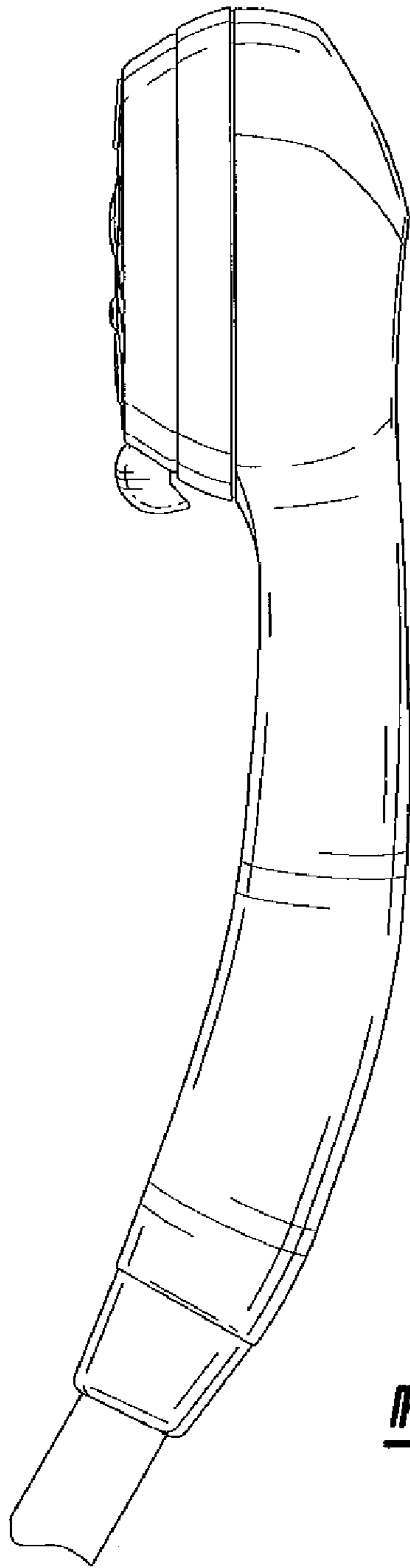


Fig-3

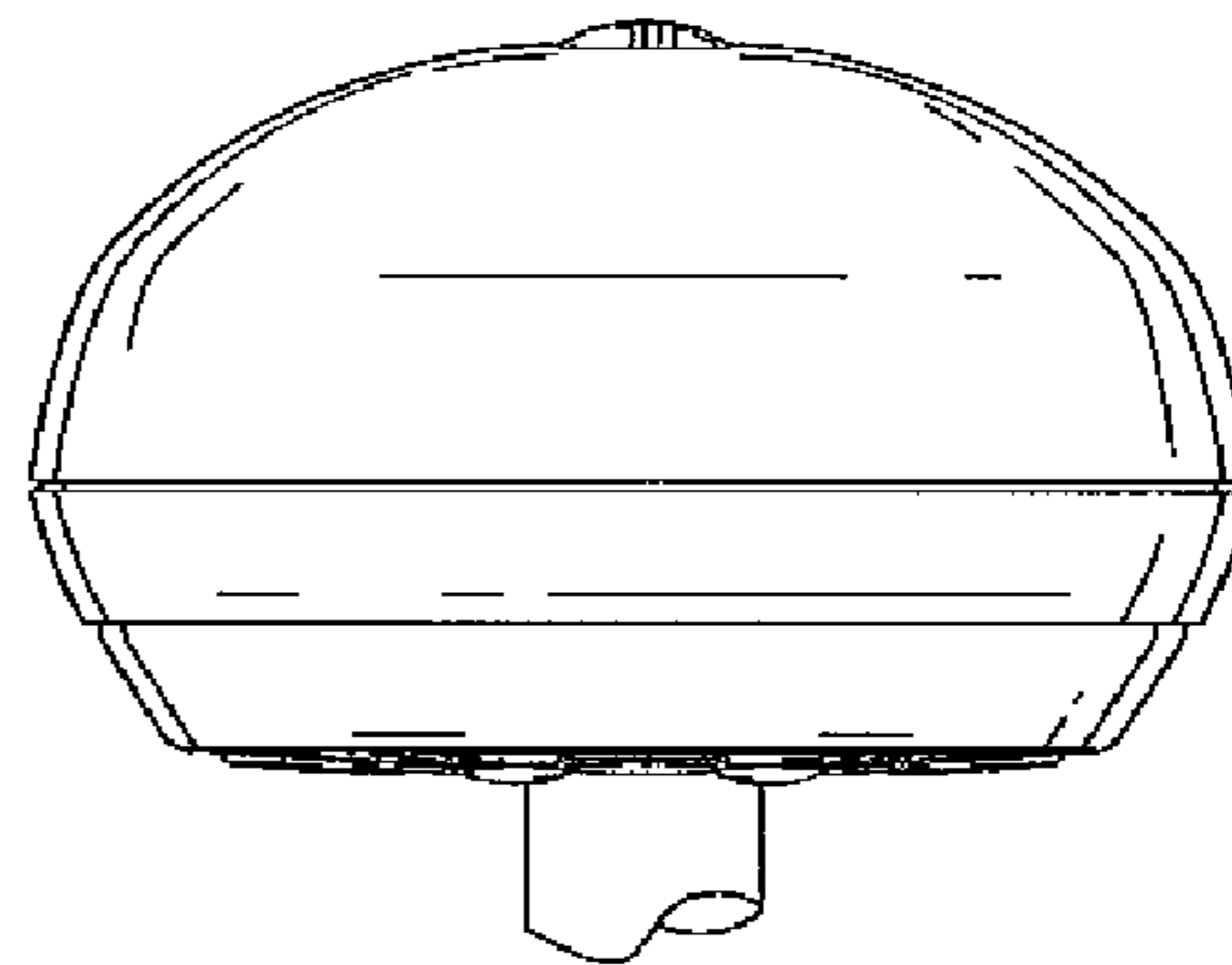


Fig-4

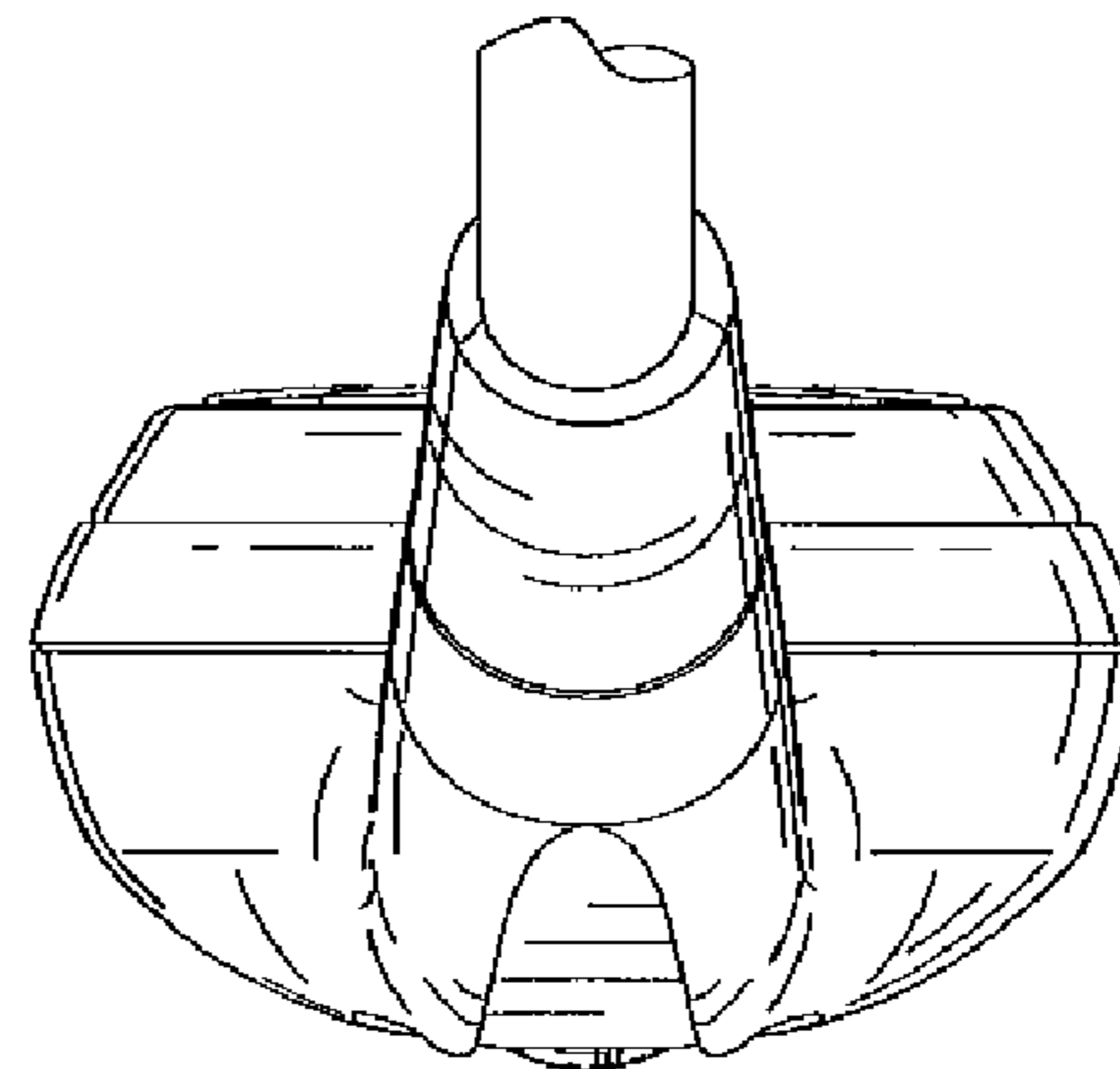


Fig-5