



US00D621905S

(12) **United States Design Patent**
Yoo et al.

(10) **Patent No.:** **US D621,905 S**
(45) **Date of Patent:** **** Aug. 17, 2010**

(54) **DUAL SHOWERHEAD**

D559,945 S * 1/2008 Patterson et al. D23/213

(75) Inventors: **Man Ki Yoo**, Skokie, IL (US); **Julian Giggs**, Hillsdale, MI (US); **Michael Miller**, Portage, MI (US)

* cited by examiner

Primary Examiner—Robin V Webster
(74) *Attorney, Agent, or Firm*—Edgar A. Zarins; Nirav D. Parikh

(73) Assignee: **Alsons Corporation**, Hillsdale, MI (US)

(**) Term: **14 Years**

(57) **CLAIM**

(21) Appl. No.: **29/345,355**

The ornamental design for a dual showerhead, as shown and described.

(22) Filed: **Oct. 14, 2009**

DESCRIPTION

(51) **LOC (9) Cl.** **23-01**

FIG. 1 is a perspective view of a dual showerhead showing my new design;

(52) **U.S. Cl.** **D23/213; D23/223**

FIG. 2 is a front elevational view thereof;

(58) **Field of Classification Search** D23/213,
D23/223, 229–230; 239/394, 282–283; 4/615

FIG. 3 is a top plan view thereof;

FIG. 4 is a bottom view thereof;

See application file for complete search history.

FIG. 5 is a right side view thereof; and,

FIG. 6 is a left side view thereof.

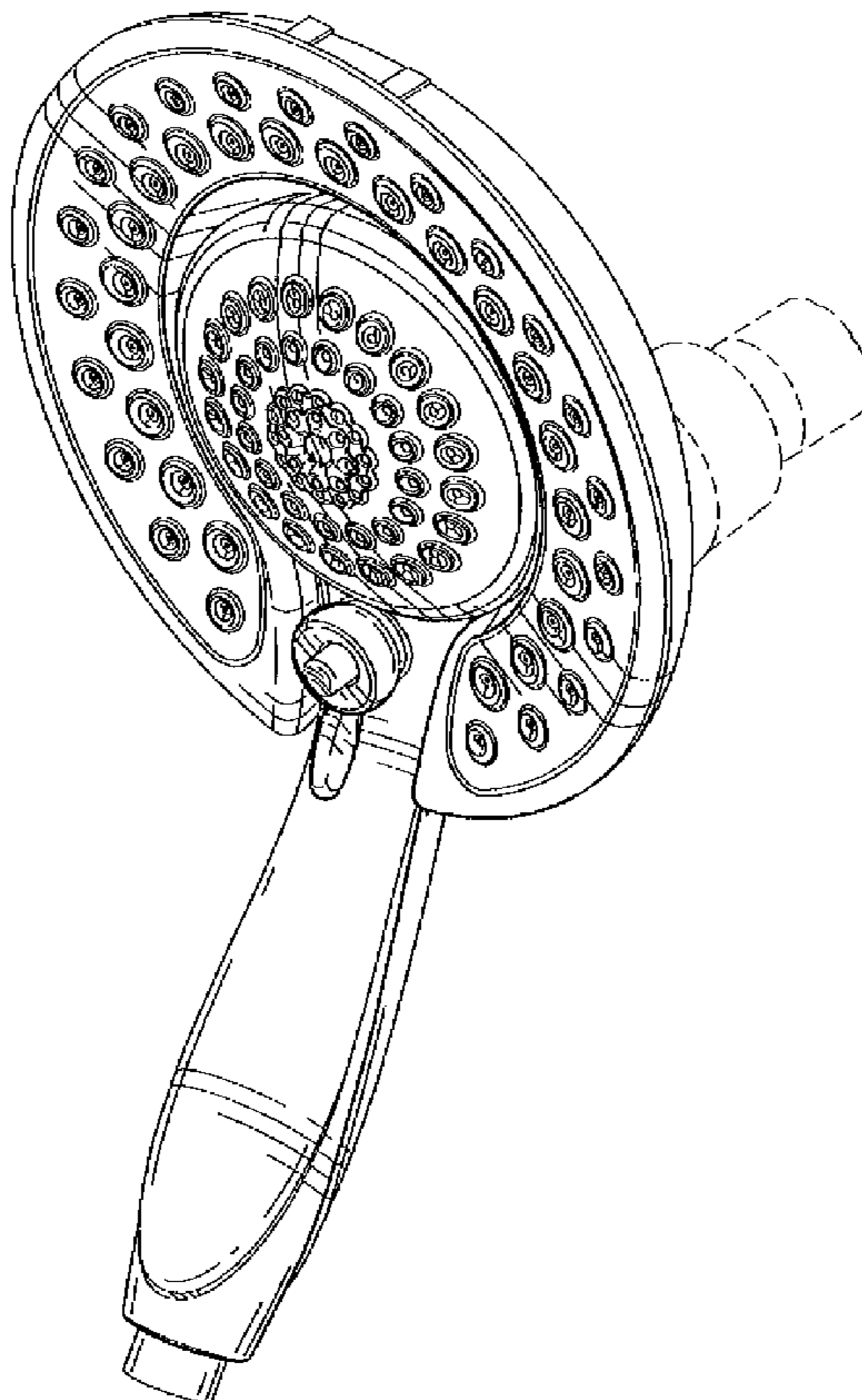
The broken line showing in FIGS. 1, 3-6 is included for the purpose of illustrating and forms no part of the claimed design.

(56) **References Cited**

U.S. PATENT DOCUMENTS

- D508,728 S * 8/2005 Kobi et al. D23/213
- D509,562 S * 9/2005 Kobi et al. D23/213
- D556,294 S * 11/2007 Wrobleski et al. D23/223

1 Claim, 3 Drawing Sheets



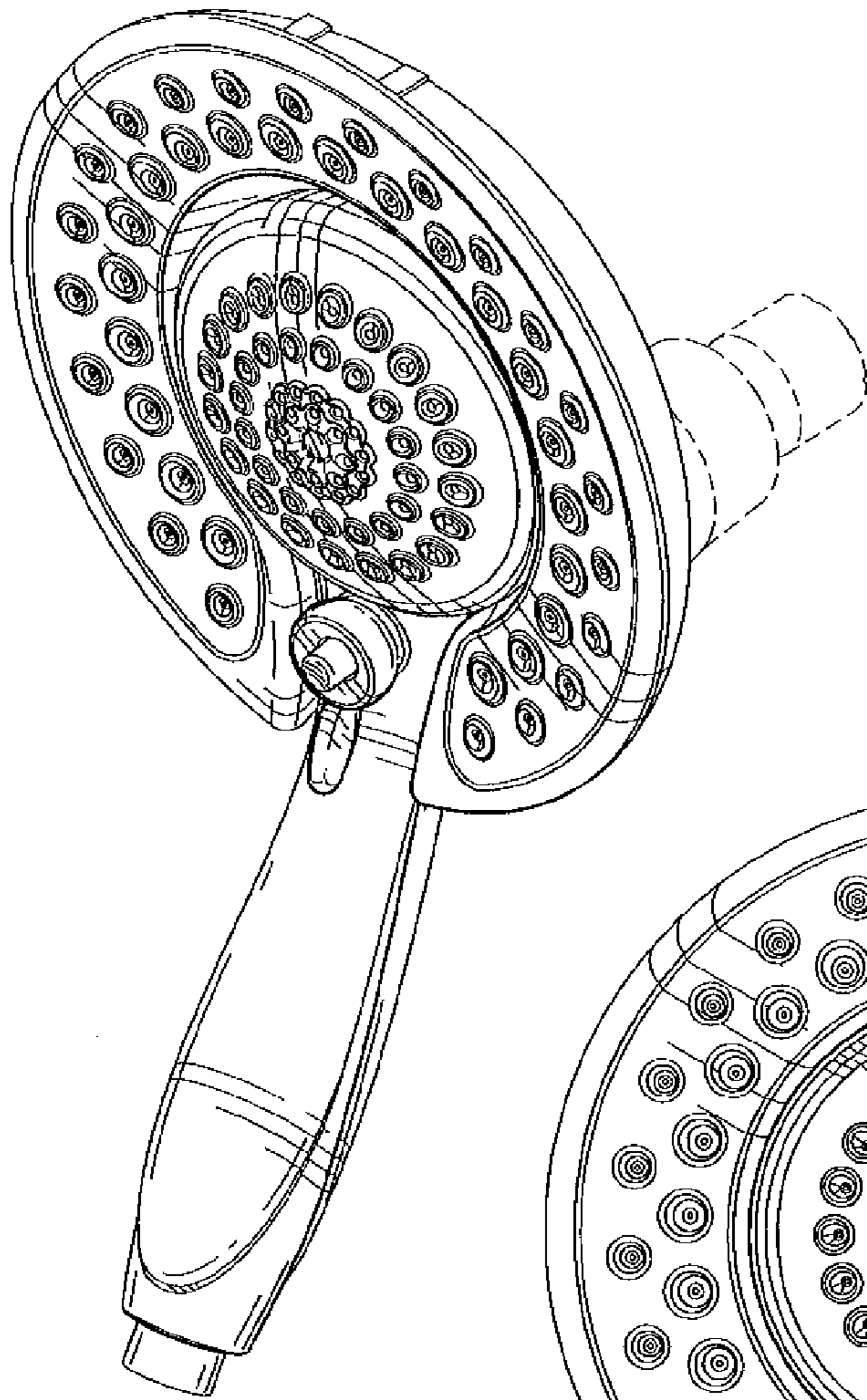


Fig-1

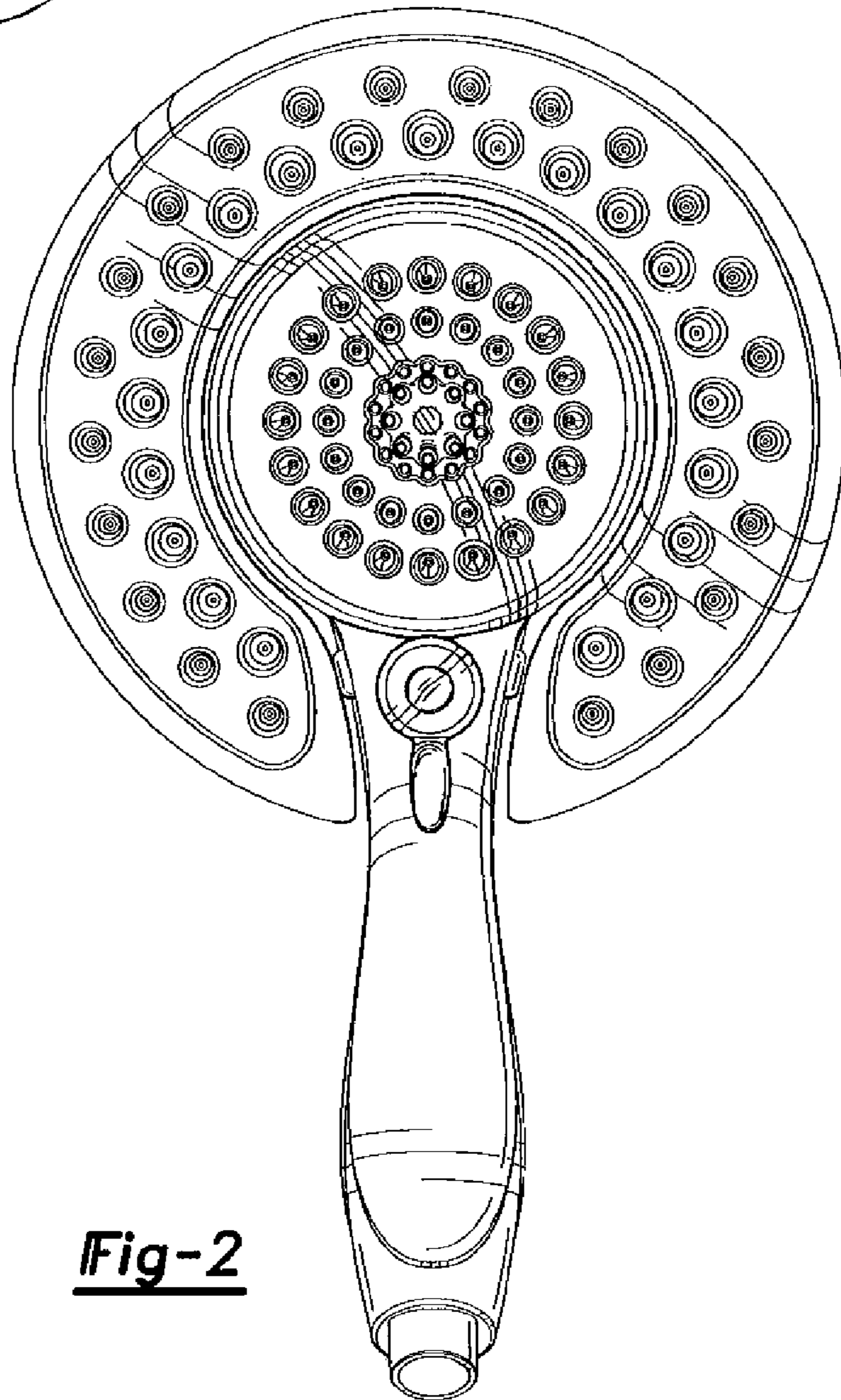


Fig-2

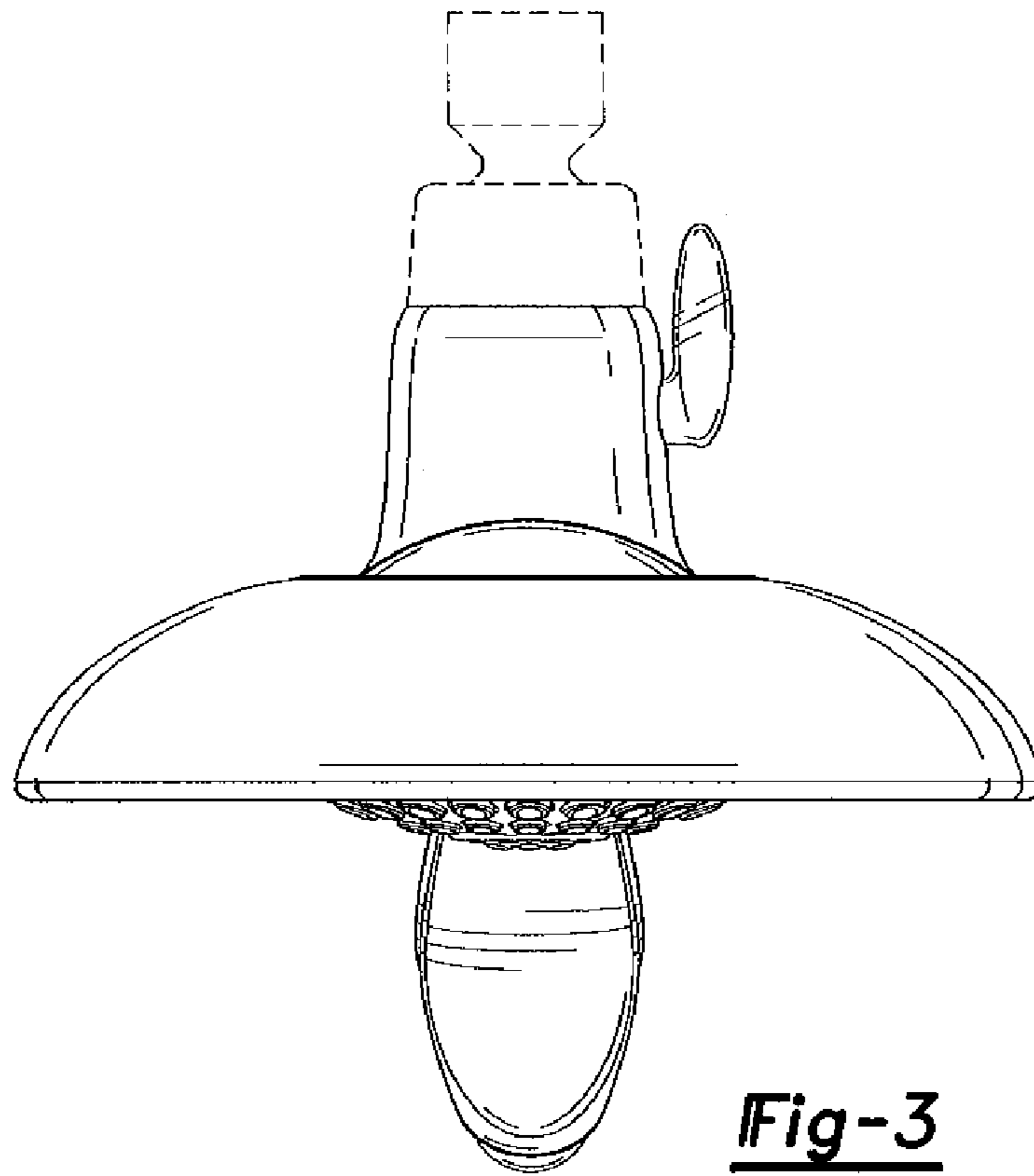


Fig-3

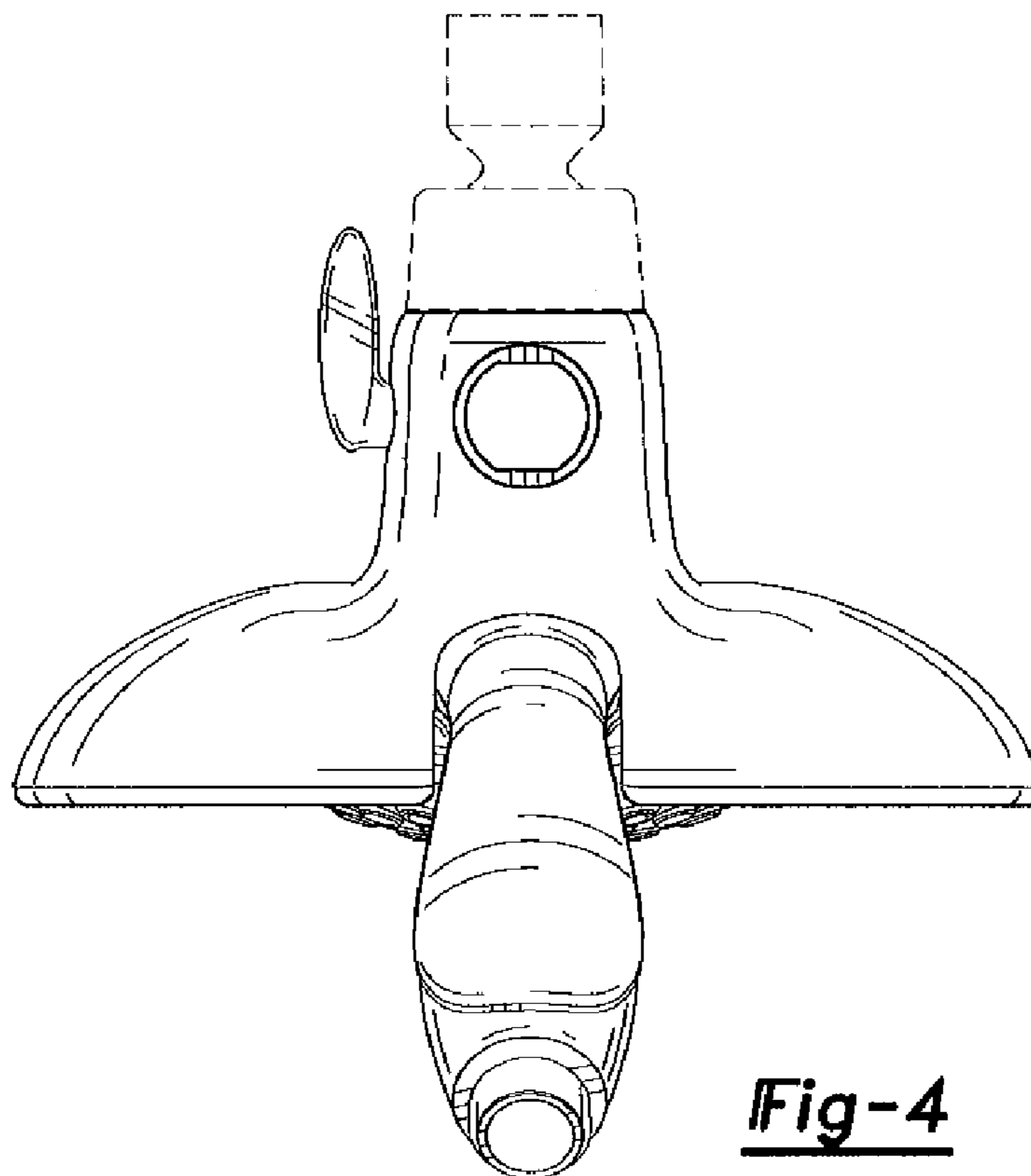


Fig-4

Fig-5

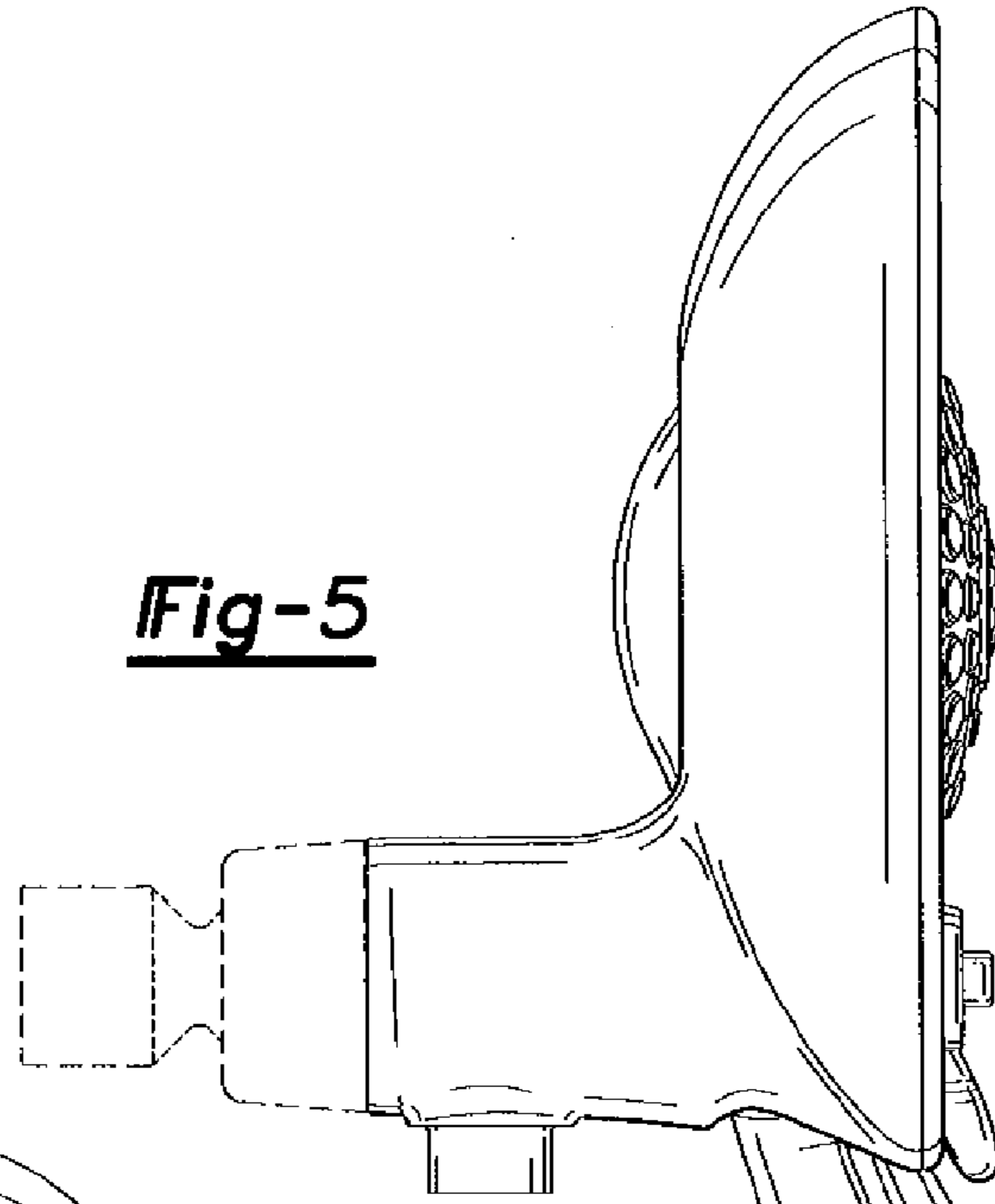


Fig-6

