



US00D621903S

(12) **United States Design Patent**  
**Acernese et al.**

(10) **Patent No.:** **US D621,903 S**  
(45) **Date of Patent:** **\*\* Aug. 17, 2010**

(54) **FRAMED FILTER MODULE ASSEMBLY**

5,399,260 A \* 3/1995 Eldredge et al. .... 210/87  
5,972,216 A \* 10/1999 Acernese et al. .... 210/253  
6,596,174 B1 \* 7/2003 Marcus ..... 210/695  
6,616,833 B2 \* 9/2003 Lynch ..... 210/96.1

(75) Inventors: **Primo L. Acernese**, Allentown, PA  
(US); **James Novak, Jr.**, Emmaus, PA  
(US); **Theodore A. Kuepper**, Oxnard,  
CA (US)

\* cited by examiner

(73) Assignee: **TerraGroup Corporation**, Allentown,  
PA (US)

*Primary Examiner*—Robin V Webster  
(74) *Attorney, Agent, or Firm*—Duane Morris LLP

(\*\*) Term: **14 Years**

(57) **CLAIM**

(21) Appl. No.: **29/354,775**

The ornamental design for a framed filter module assembly,  
as shown.

(22) Filed: **Jan. 28, 2010**

**Related U.S. Application Data**

**DESCRIPTION**

(63) Continuation of application No. 29/353,742, filed on  
Jan. 13, 2010, now abandoned.

(51) **LOC (9) Cl.** ..... **23-01**

(52) **U.S. Cl.** ..... **D23/209**

(58) **Field of Classification Search** ..... D23/207,  
D23/209; 210/85, 87, 241, 259

See application file for complete search history.

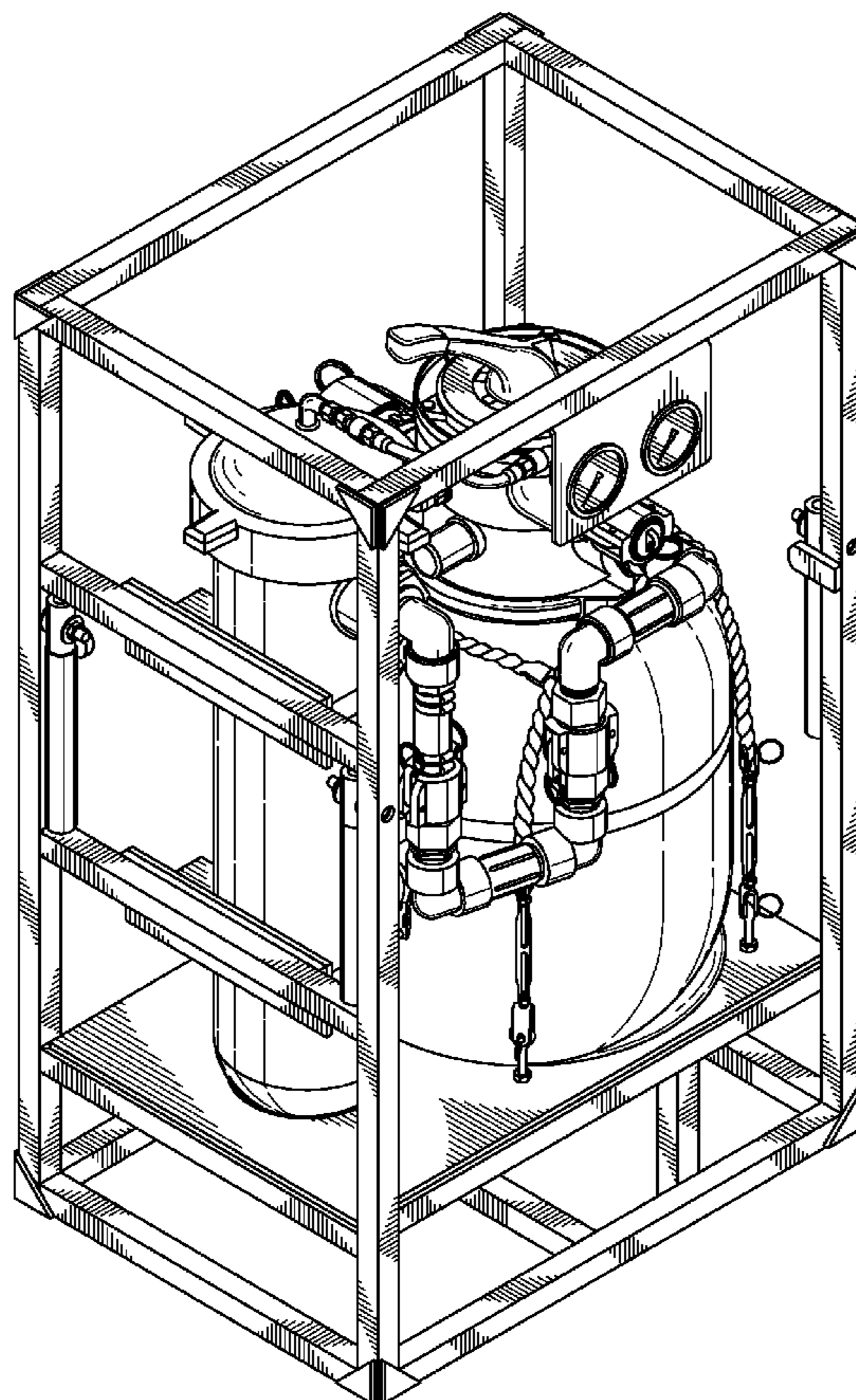
FIG. 1 is a perspective view of the framed filter module  
assembly according to our new design;  
FIG. 2 is a front elevation view thereof;  
FIG. 3 is a rear elevation view;  
FIG. 4 is a top plan view;  
FIG. 5 is a bottom plan view;  
FIG. 6 is a left side elevation view, as seen in FIG. 2; and,  
FIG. 7 is a right side elevation.

(56) **References Cited**

**U.S. PATENT DOCUMENTS**

4,836,921 A \* 6/1989 Hahn et al. .... 210/202

**1 Claim, 7 Drawing Sheets**



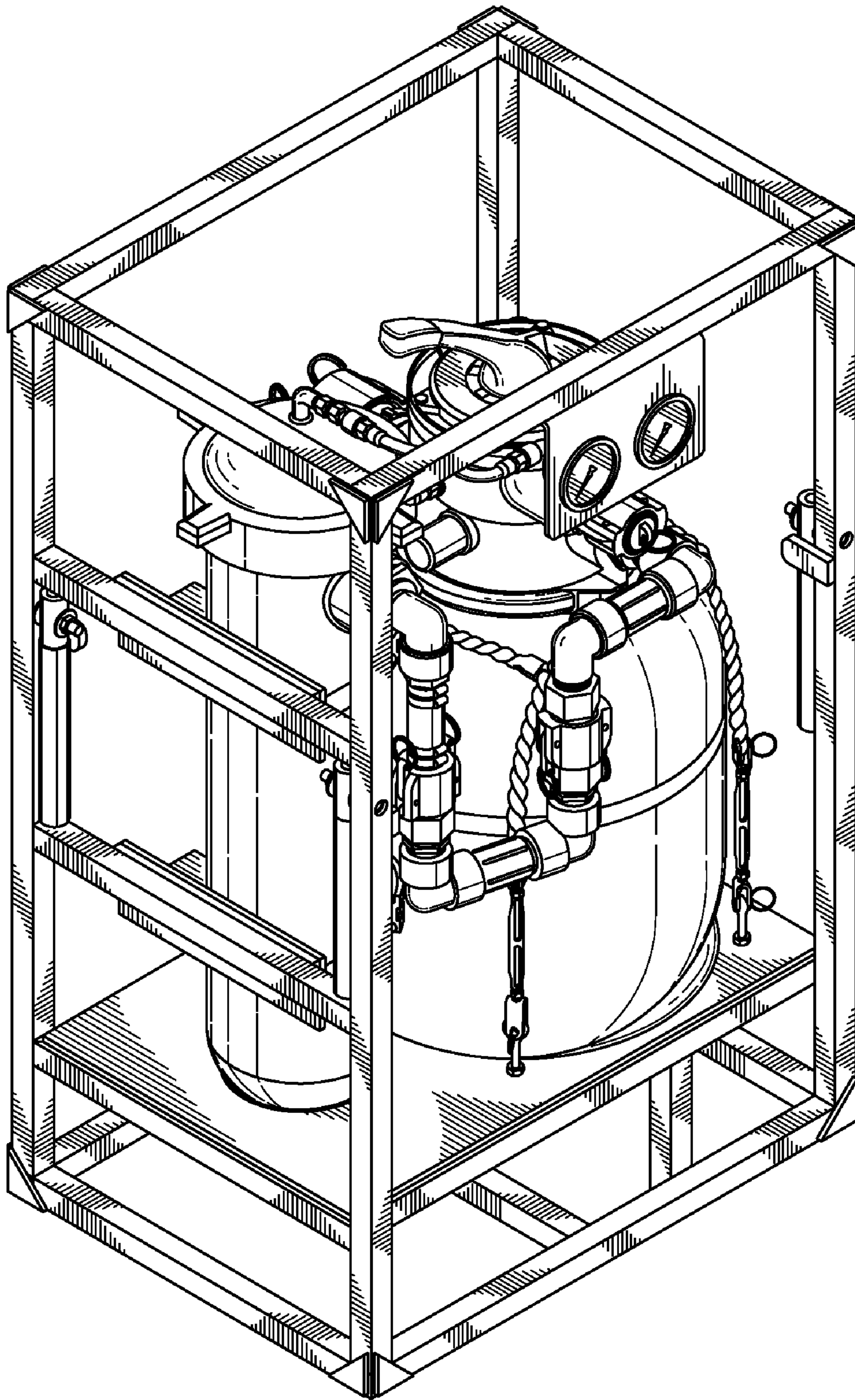


FIG. 1

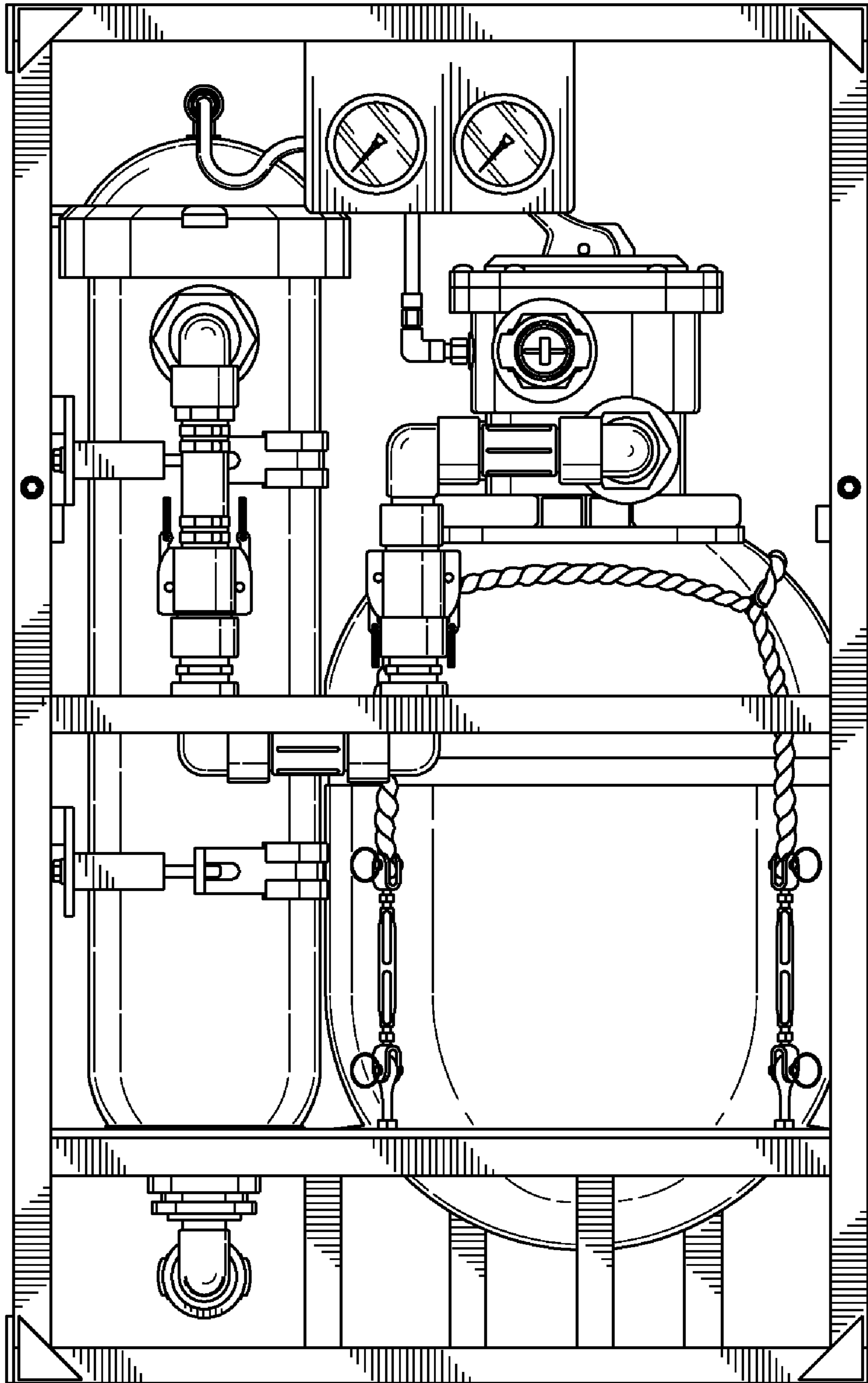


FIG. 2

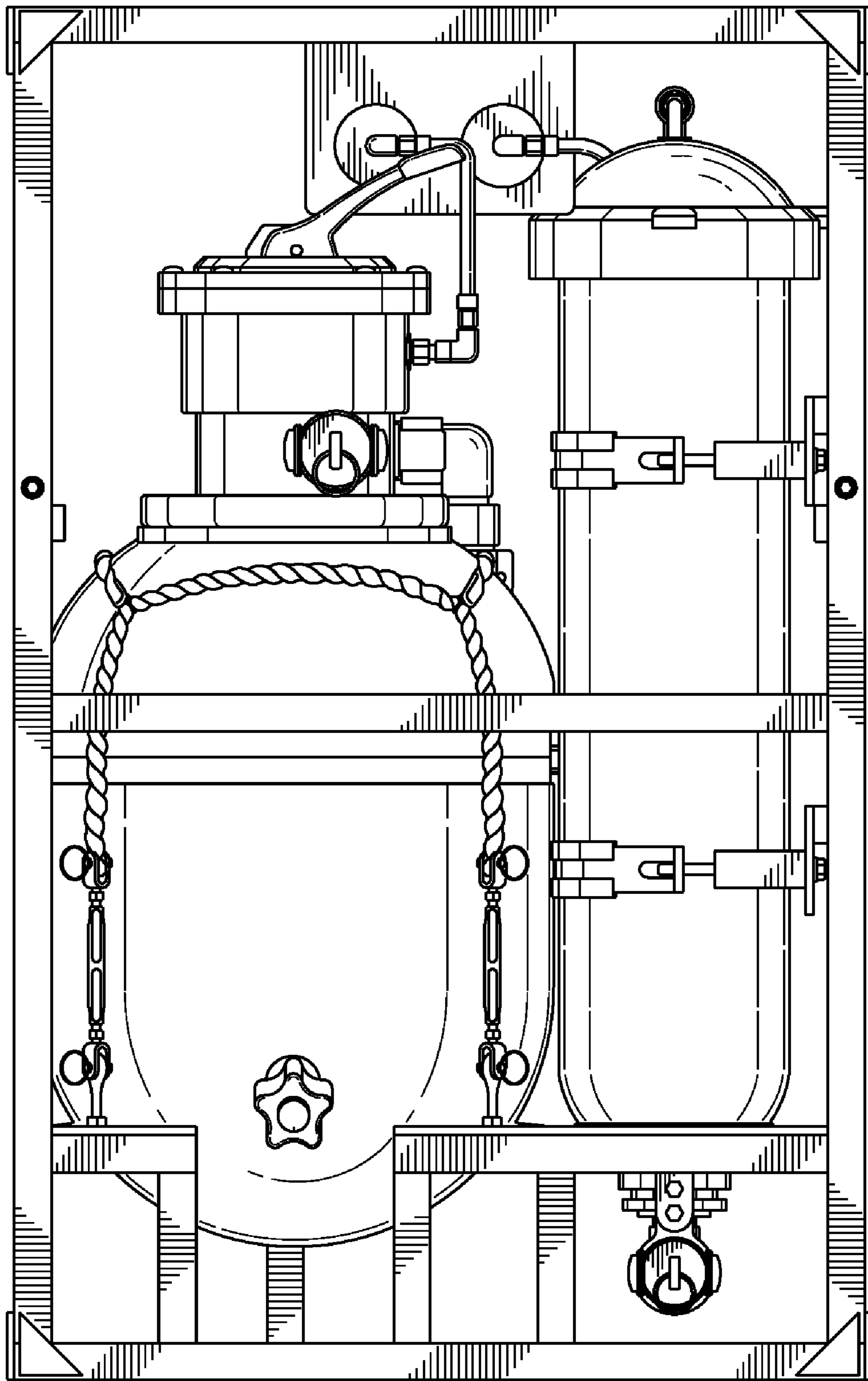


FIG. 3

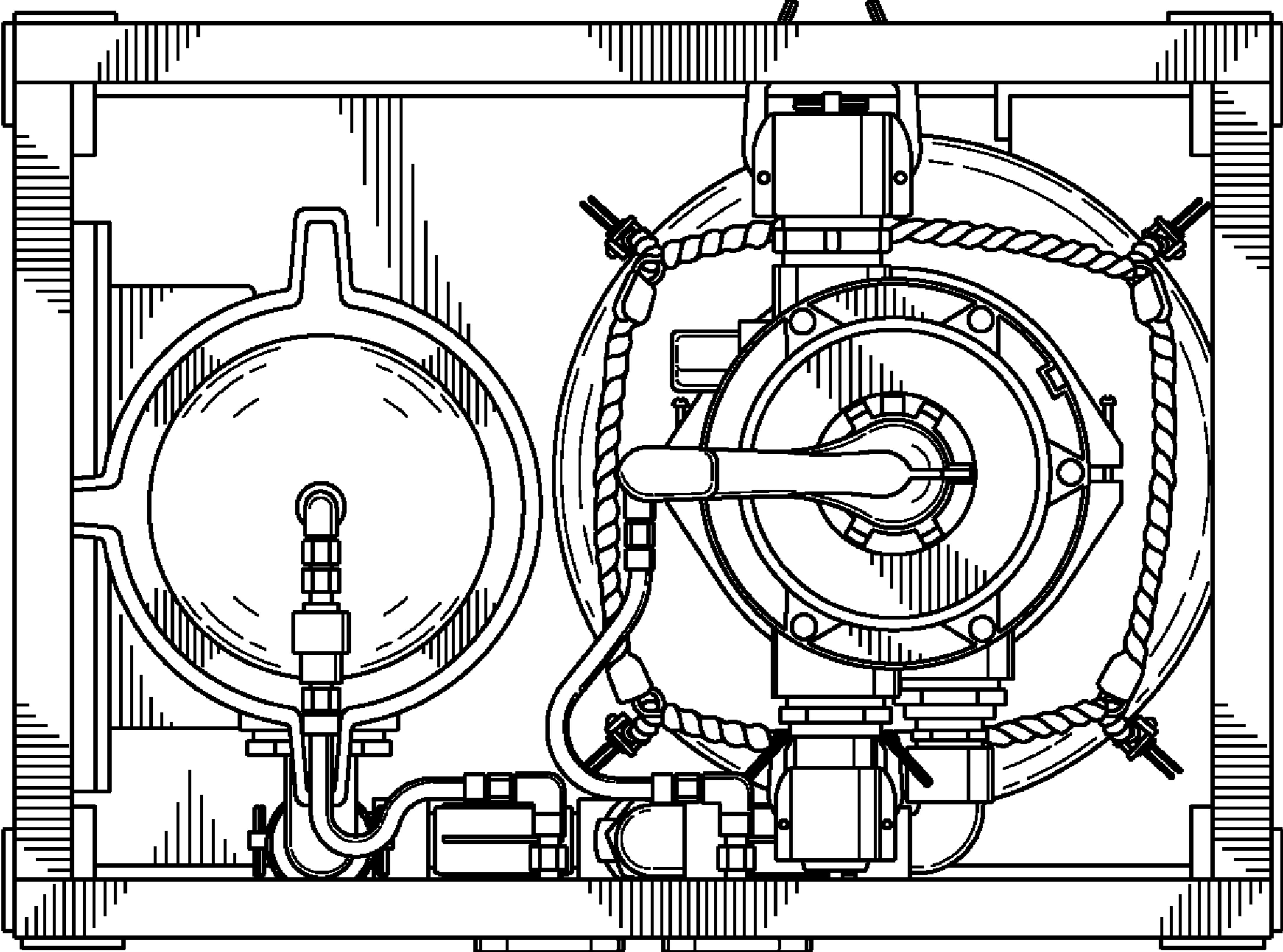


FIG. 4

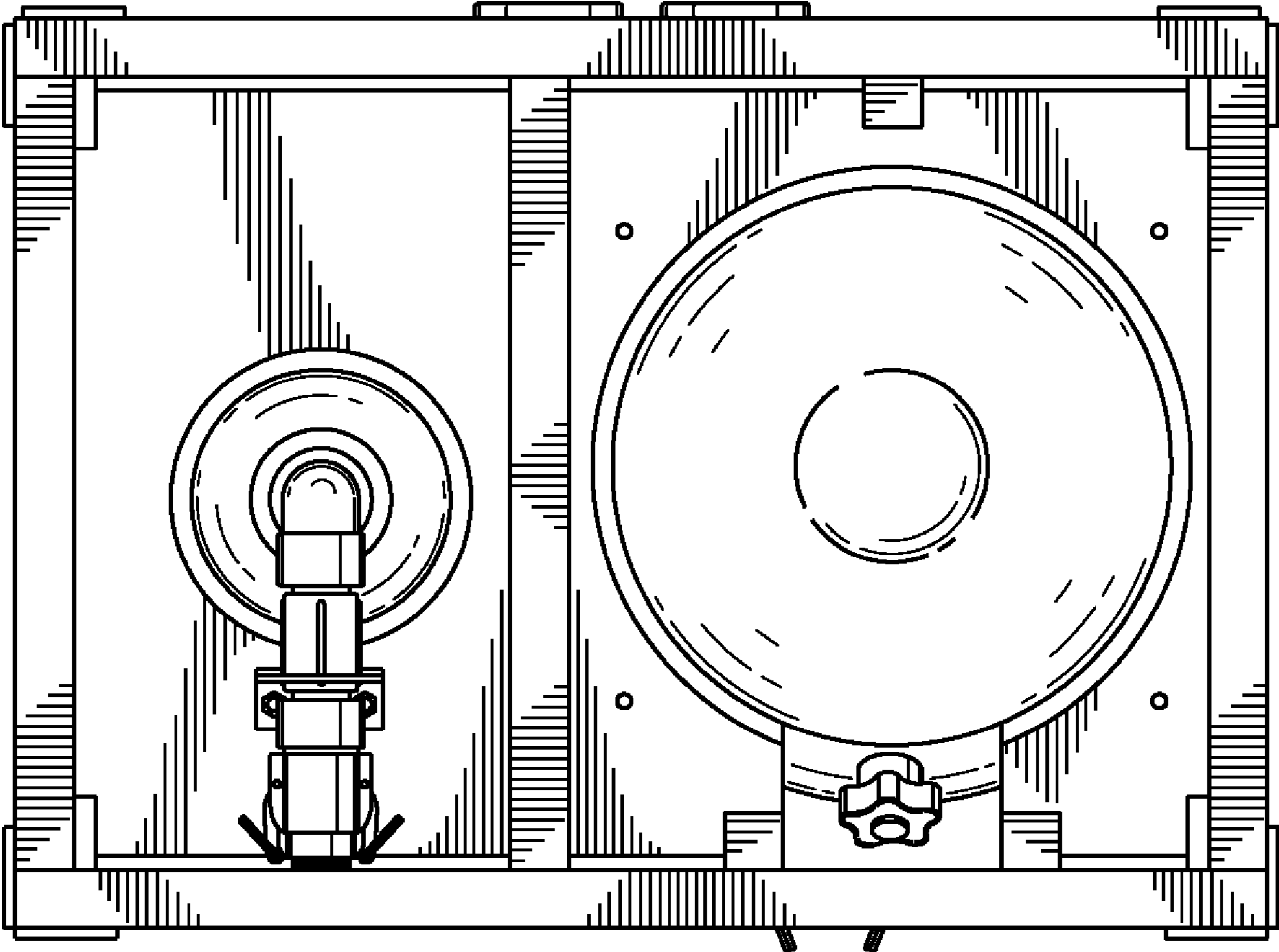


FIG. 5

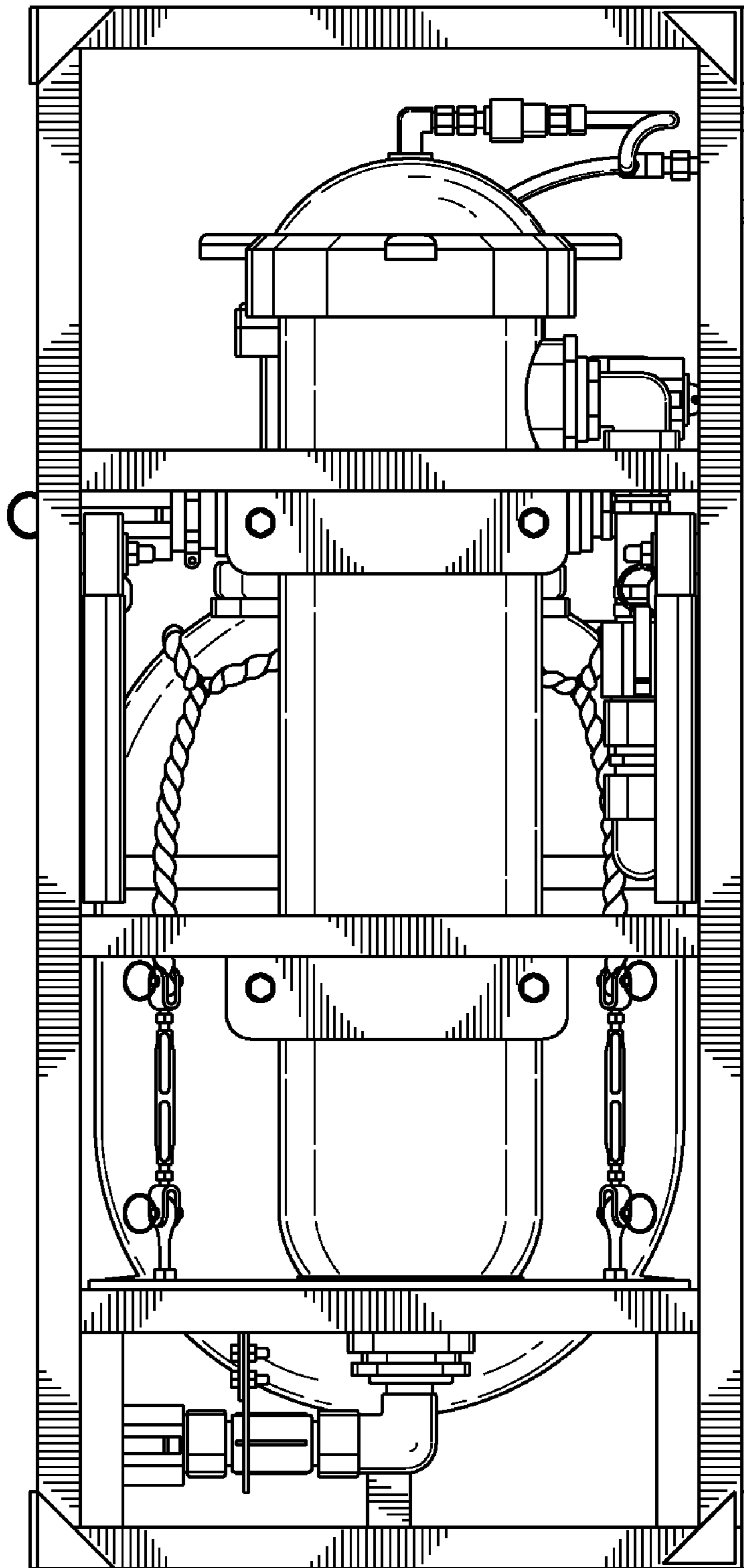


FIG. 6

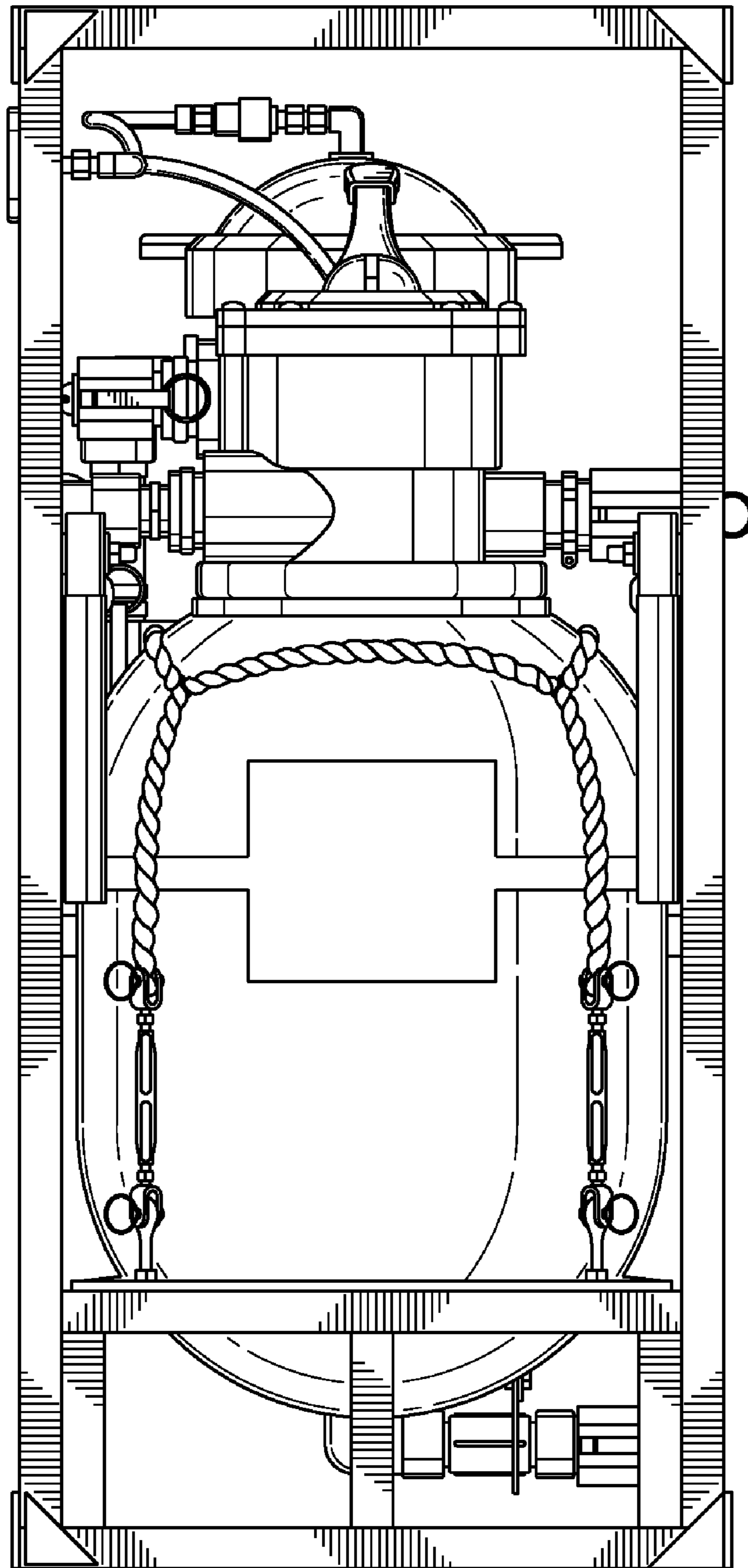


FIG. 7