



US00D621902S

(12) **United States Design Patent**
Mercer

(10) **Patent No.:** **US D621,902 S**

(45) **Date of Patent:** **** Aug. 17, 2010**

(54) **SPA MOUNTED SOLAR CHLORINE GENERATOR**

D559,944 S * 1/2008 Bruneel D23/208

* cited by examiner

(76) Inventor: **Richard D. Mercer**, 19827
Cypresswood Estates Run, Spring, TX
(US) 77373

Primary Examiner—Robin V Webster

(74) *Attorney, Agent, or Firm*—Kenneth L. Nash

(**) Term: **14 Years**

(57) **CLAIM**

(21) Appl. No.: **29/346,032**

The ornamental design for a spa mounted solar chlorine generator, shown and described.

(22) Filed: **Oct. 26, 2009**

DESCRIPTION

(51) **LOC (9) Cl.** **23-01**

FIG. 1 is a perspective view of a spa mounted solar chlorine generator showing my new design.

(52) **U.S. Cl.** **D23/208**

FIG. 2 is a side elevational view thereof.

(58) **Field of Classification Search** D23/207–209;
422/263–265

FIG. 3 is a rear elevational view thereof.

See application file for complete search history.

FIG. 4 is a front elevational view thereof.

FIG. 5 is a top elevational view thereof; and,

FIG. 6 is a bottom elevational view thereof.

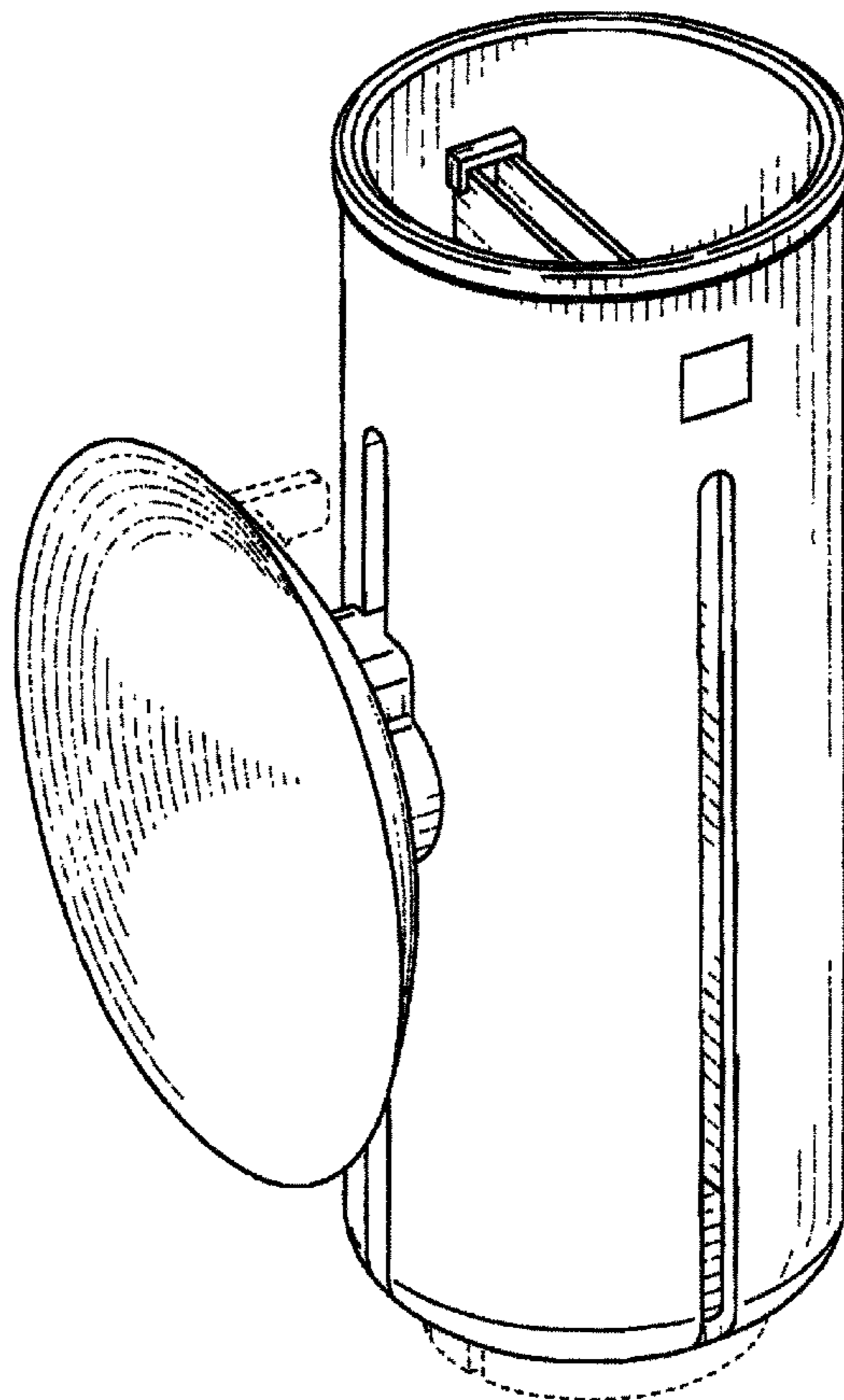
(56) **References Cited**

U.S. PATENT DOCUMENTS

4,210,624	A *	7/1980	Price	422/264
4,473,533	A *	9/1984	Davey	422/265
D278,082	S *	3/1985	Cowley	D23/210
D309,493	S *	7/1990	Casberg	D23/208
6,379,630	B1 *	4/2002	Wilfong et al.	422/264
D486,881	S *	2/2004	Pecci et al.	D23/207

The broken lines shown in the figures illustrate environmental elements of the design in position of use, and form no part of the claimed design. The other side elevational view is a mirror image of that shown in FIG. 2.

1 Claim, 3 Drawing Sheets



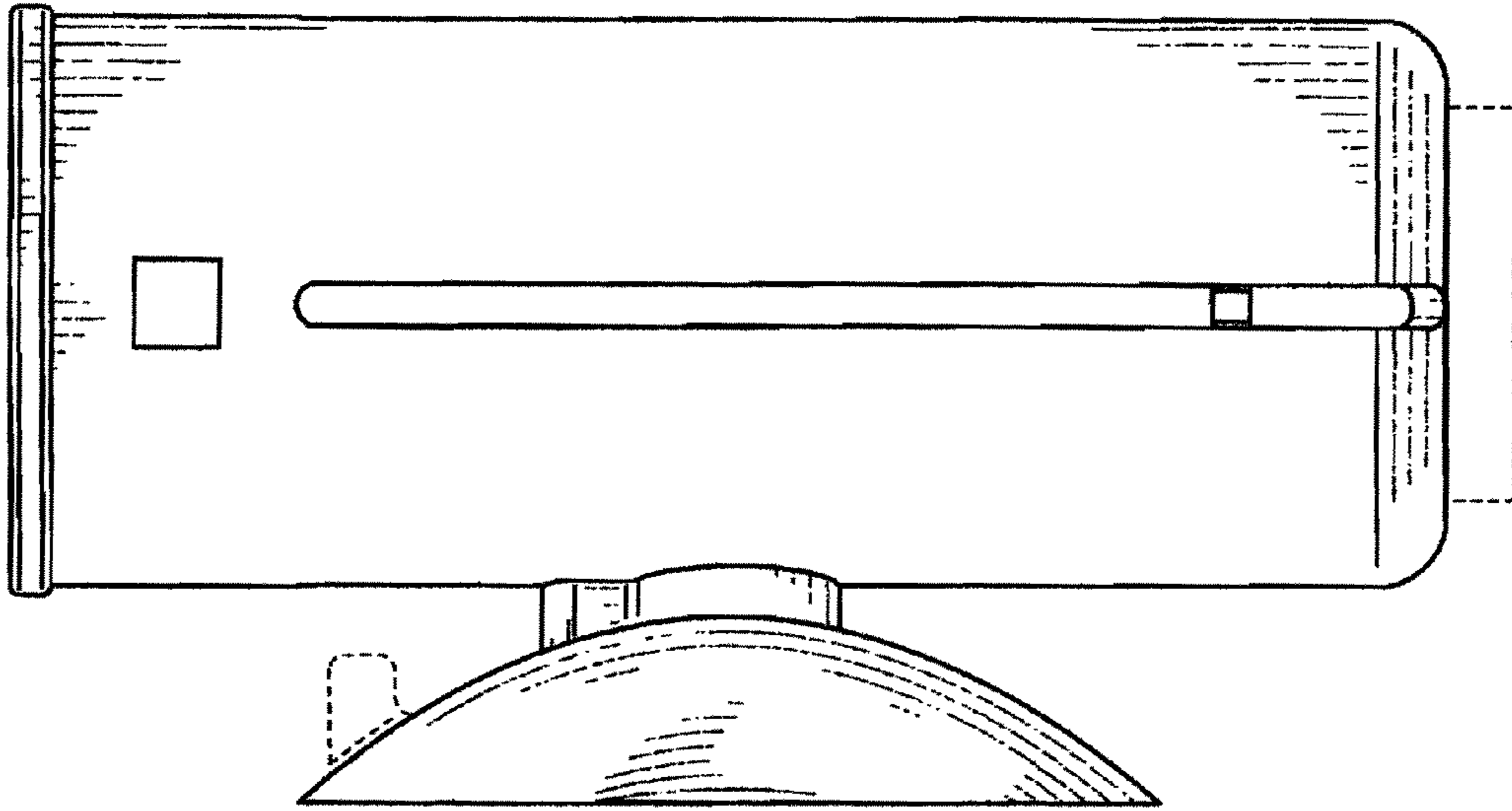


FIG. 2

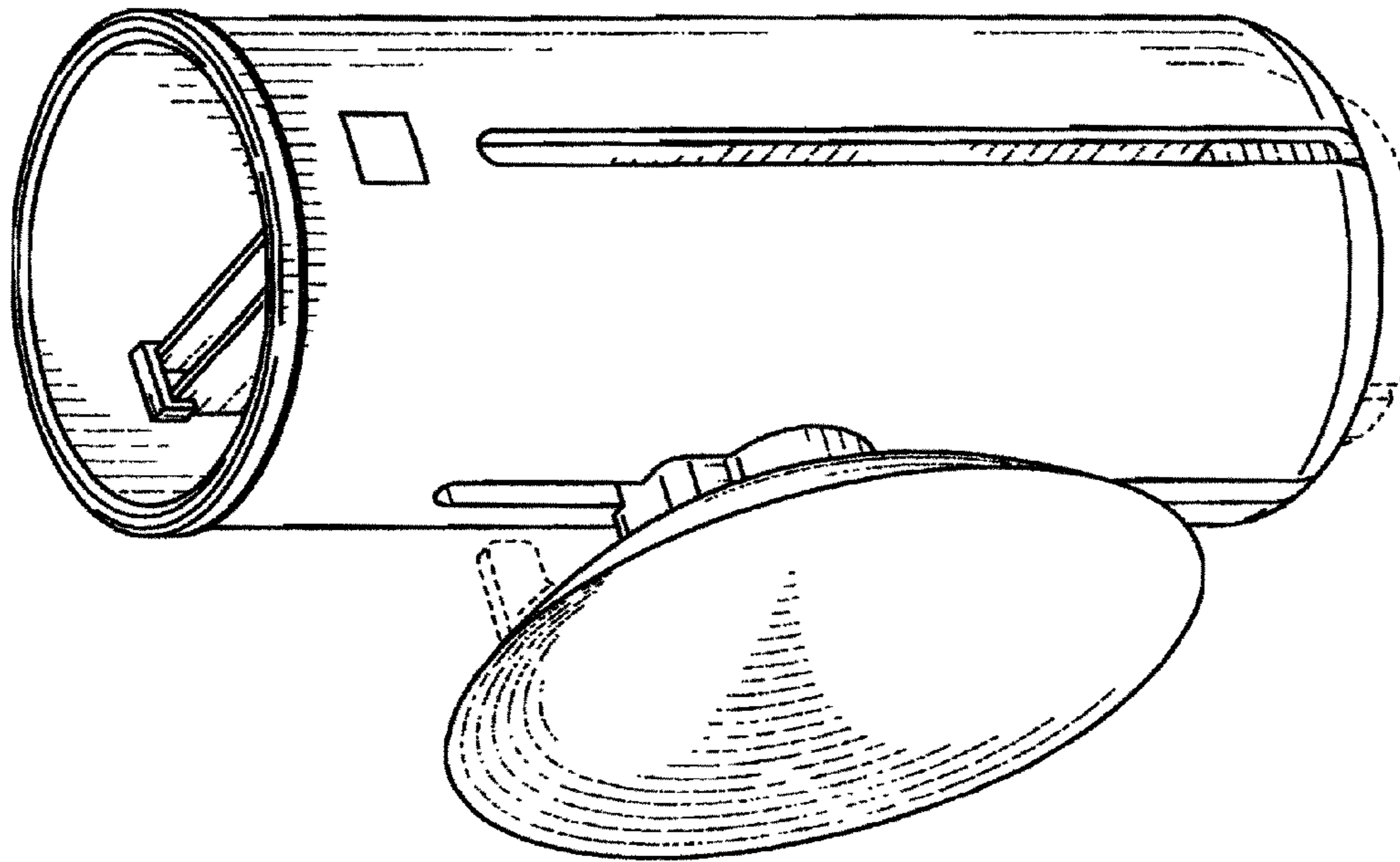


FIG. 1

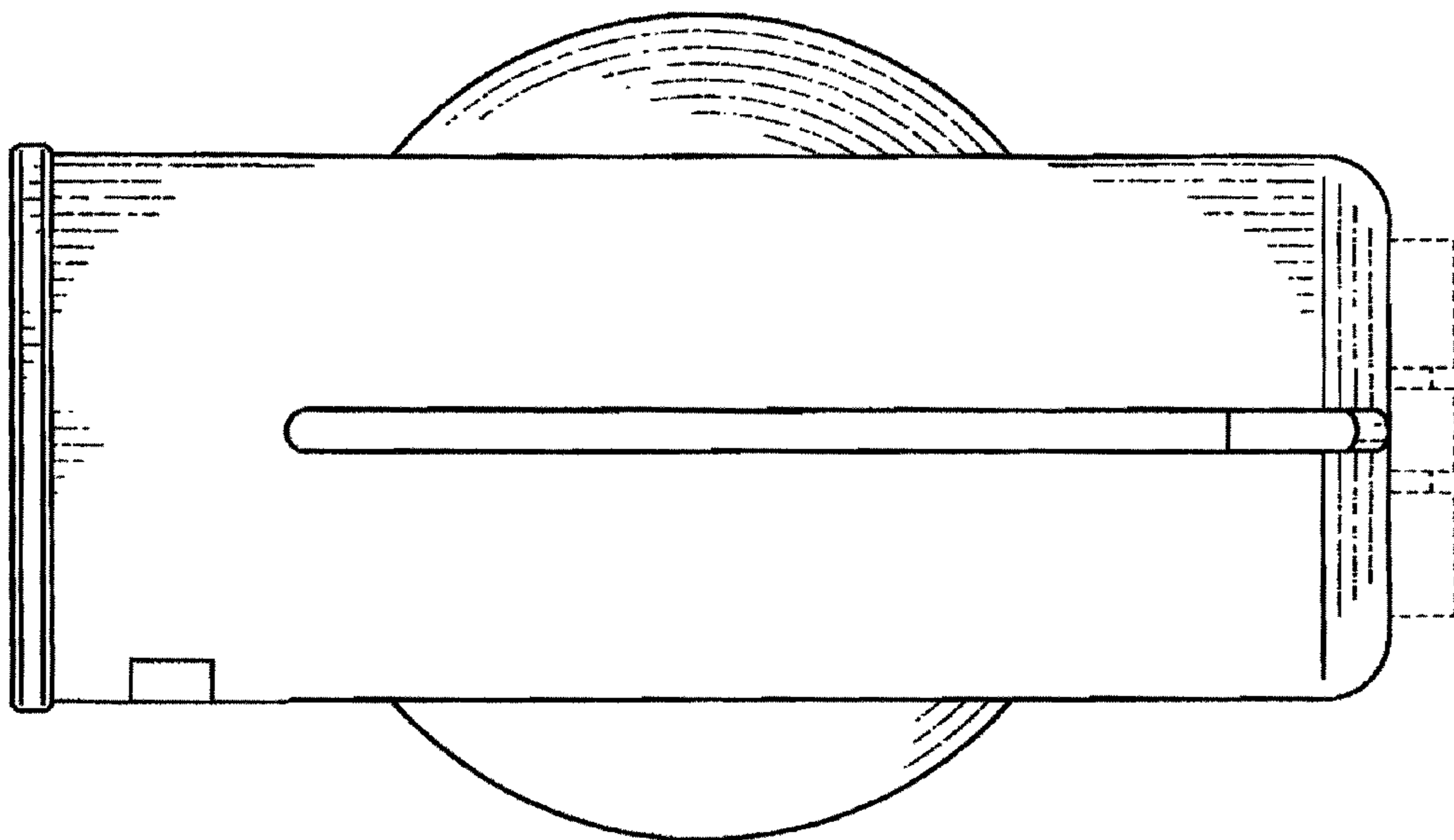


FIG. 4

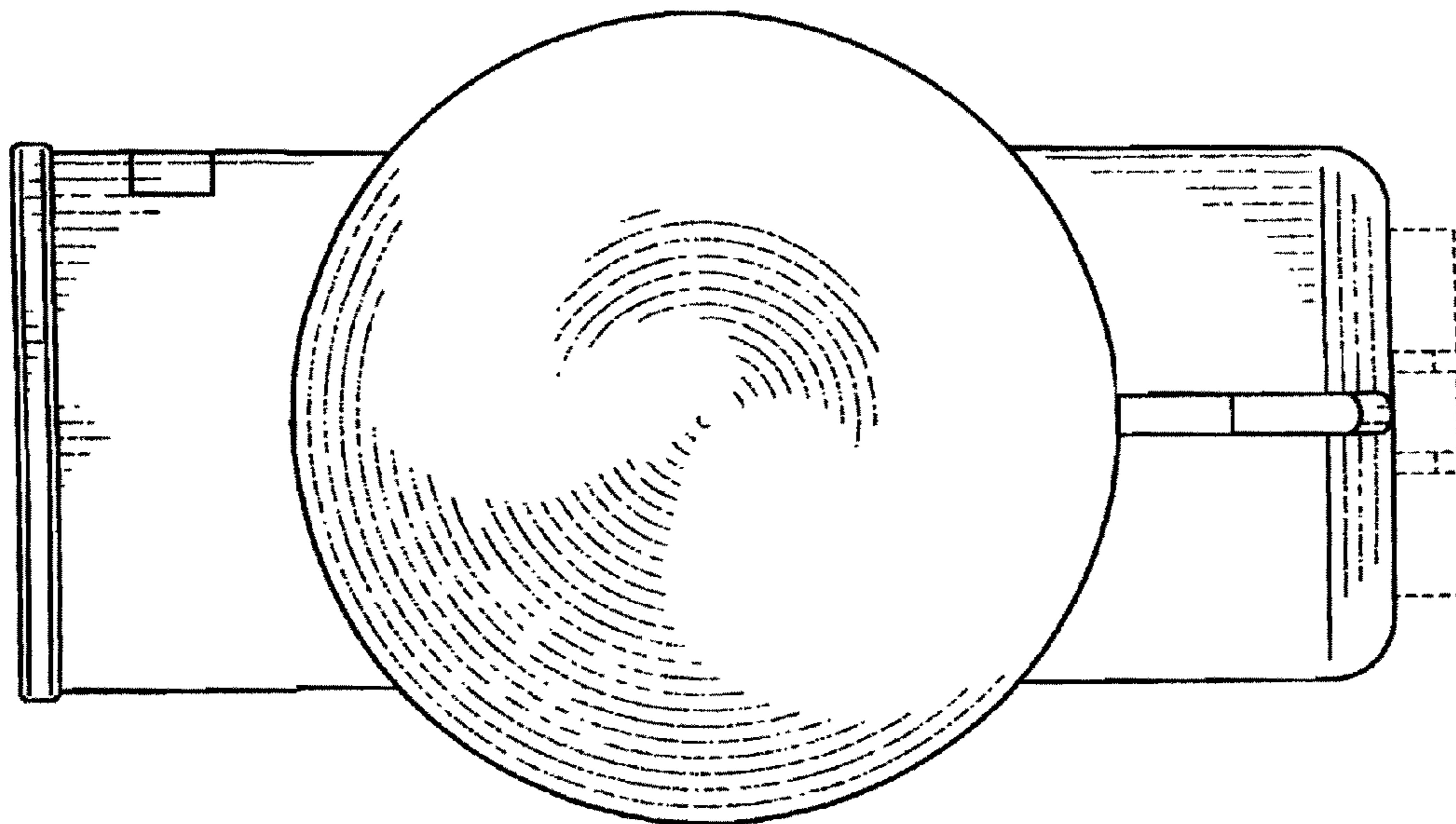


FIG. 3

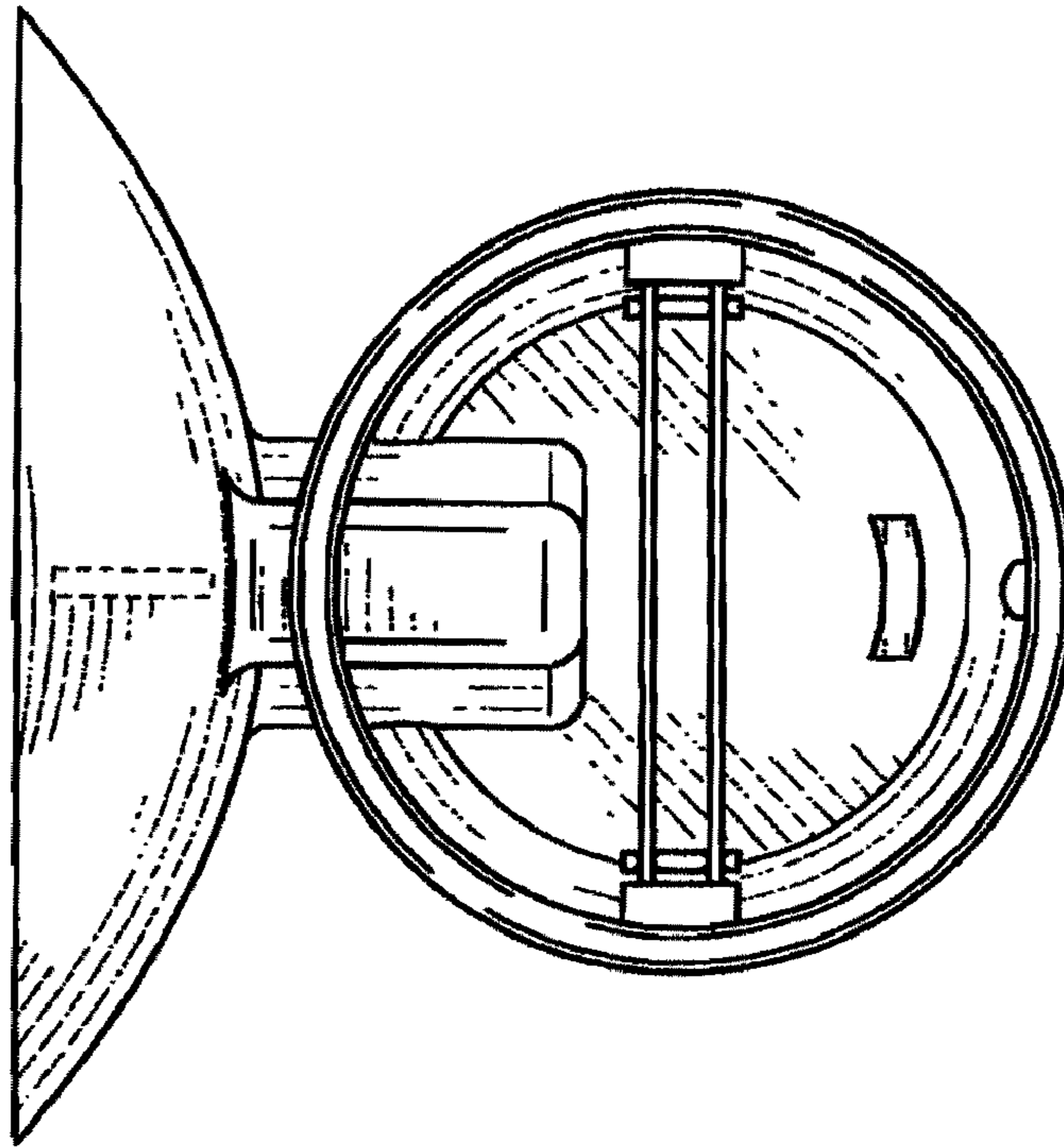


FIG. 5

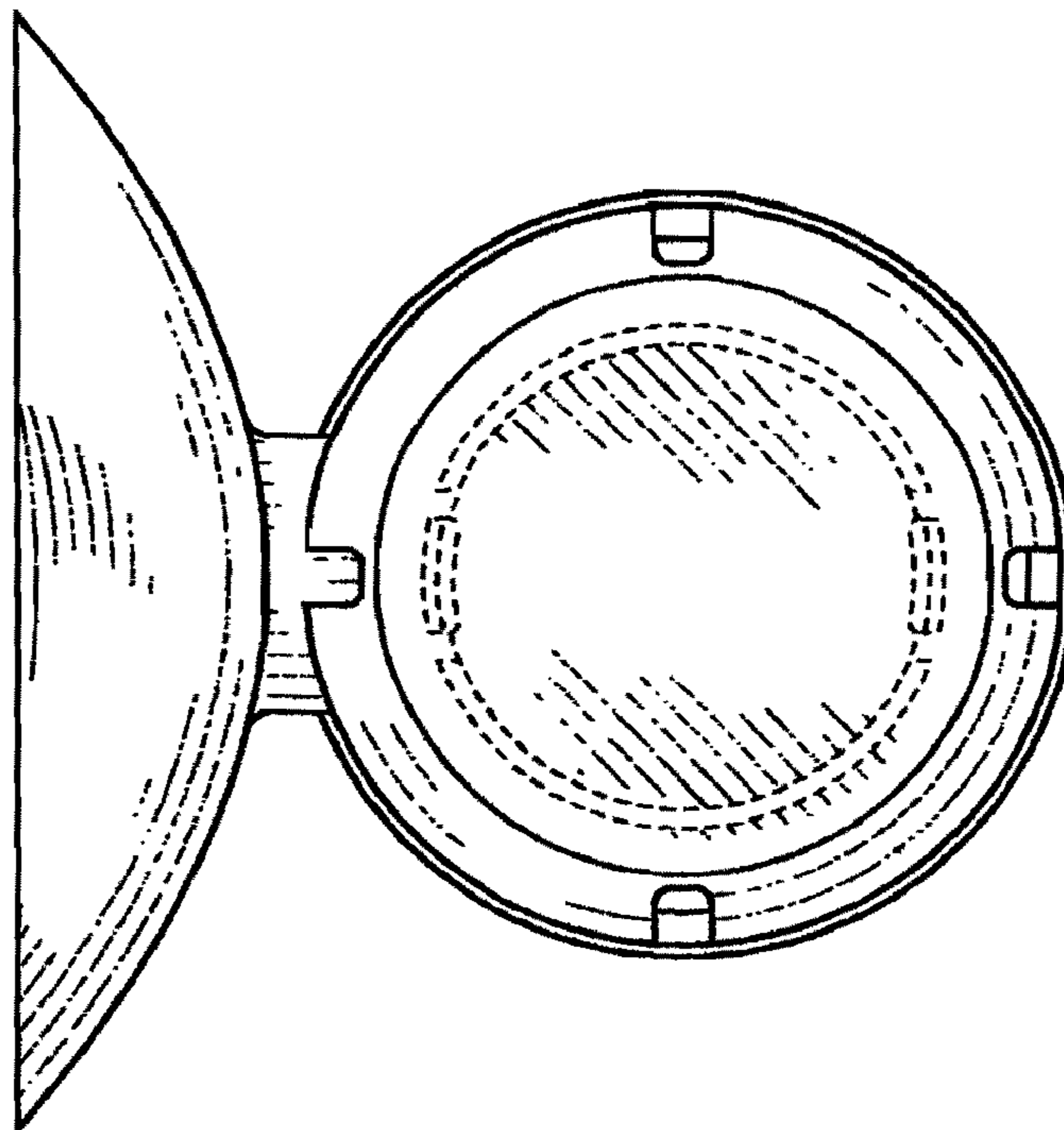


FIG. 6