



US00D621900S

(12) **United States Design Patent**  
**Cink et al.**

(10) **Patent No.:** **US D621,900 S**

(45) **Date of Patent:** **\*\* \*Aug. 17, 2010**

(54) **RODENT MANAGEMENT SYSTEM**

(75) Inventors: **James H. Cink**, Ballwin, MO (US);  
**Jonathan D. Berger**, St. Louis, MO  
(US); **Brian James Mann**, Wildwood,  
MO (US); **Edward Francis Marshall**,  
Lansing, MO (US); **Henry Wayne**  
**Moran**, Ballwin, MO (US); **James**  
**David Poling**, Clarkson Valley, MO (US)

1,349,177 A 8/1920 Wiemer  
1,388,786 A 8/1921 Albrecht et al.  
1,415,801 A 5/1922 Corle  
1,422,894 A 7/1922 Skubinski  
1,461,681 A 7/1923 Schuckman  
1,488,503 A 4/1924 Karda  
1,505,996 A 8/1924 Drought  
1,511,123 A 10/1924 Hart

(73) Assignee: **BASF Corporation**, Florham Park, NJ  
(US)

(Continued)

FOREIGN PATENT DOCUMENTS

(\*\*) Term: **14 Years**

GB 2023987 A 1/1980

(21) Appl. No.: **29/343,953**

(Continued)

(22) Filed: **Sep. 22, 2009**

OTHER PUBLICATIONS

(51) **LOC (9) Cl.** ..... **22-06**

Pest Notes, Feb. 2001, 17 pages, vol. 3, Issue 2, Defense Supply  
Center Philadelphia West Coast Support Office, Philadelphia, US.

(52) **U.S. Cl.** ..... **D22/119**

(58) **Field of Classification Search** ..... D22/119-124;  
43/58, 60-61, 68, 76, 81, 112-114, 131,  
43/132.1

(Continued)

See application file for complete search history.

*Primary Examiner*—Catherine R Oliver

(74) *Attorney, Agent, or Firm*—Armstrong Teasdale, LLP

(56) **References Cited**

(57) **CLAIM**

U.S. PATENT DOCUMENTS

The ornamental design for a rodent management system, as  
shown and described.

147,899 A 2/1874 Carnahan  
202,971 A 4/1878 Wigginton  
218,175 A 8/1879 Hollingshead  
224,960 A 2/1880 Simpson  
527,044 A 10/1894 Brown  
741,935 A 10/1903 Schickerling  
942,069 A 12/1909 Hess  
1,016,405 A 2/1912 Ferguson  
1,040,329 A 10/1912 Holt  
1,063,347 A 6/1913 Hall  
1,074,916 A 10/1913 Wiesen  
1,085,970 A 2/1914 Butcher  
1,138,132 A 5/1915 Marsh  
1,142,781 A 6/1915 Cameron  
1,213,876 A 1/1917 Hovis  
1,218,406 A 3/1917 Jackson  
1,321,360 A 11/1919 Bright

**DESCRIPTION**

FIG. 1 is a front perspective of a rodent management system  
according to our new design;

FIG. 2 is a front elevational view thereof;

FIG. 3 is a top plan view thereof;

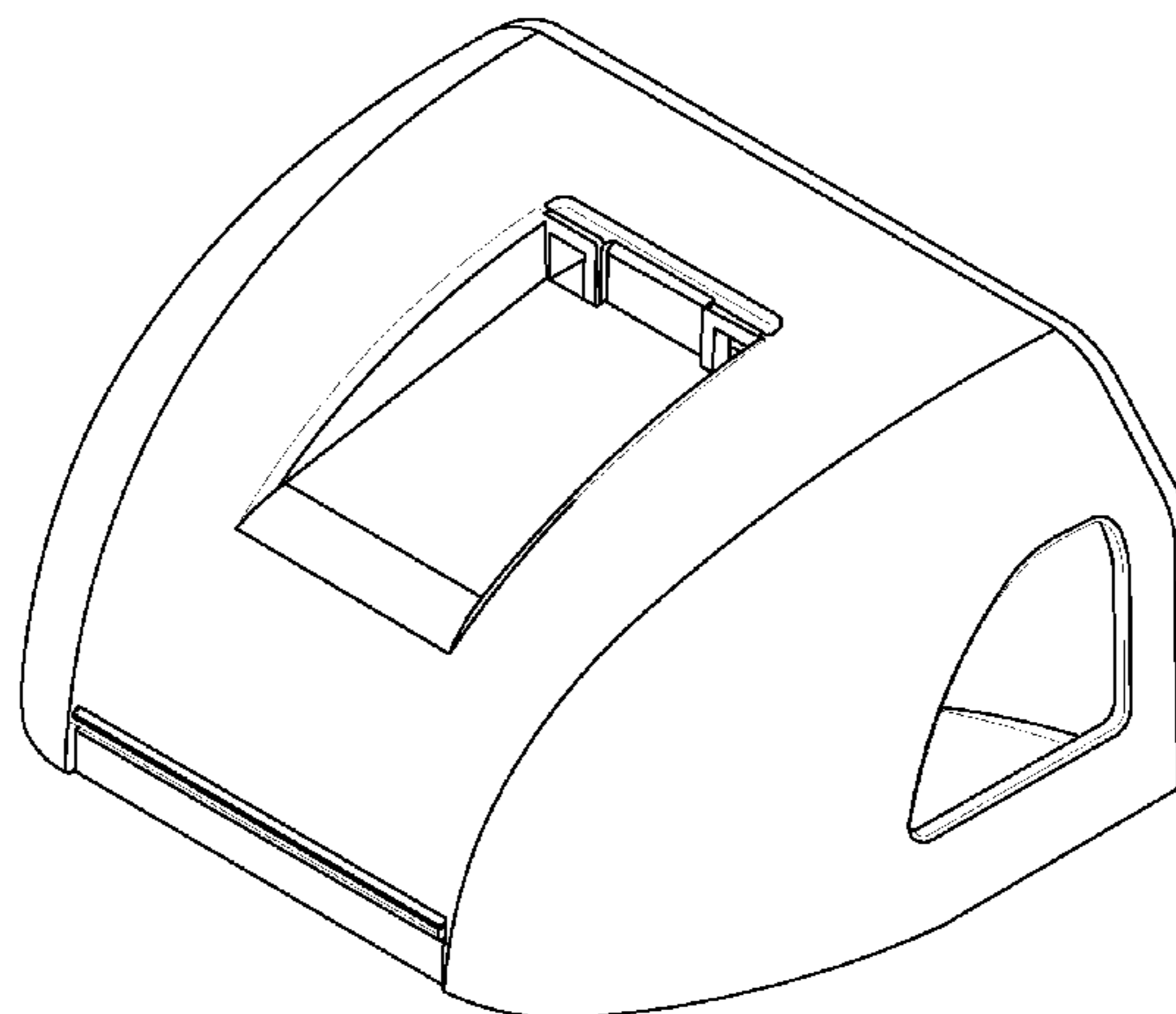
FIG. 4 is a right side elevational view thereof

FIG. 5 is a left side elevational view thereof;

FIG. 6 is a bottom plan view thereof; and,

FIG. 7 is a rear elevational view thereof.

**1 Claim, 7 Drawing Sheets**



# US D621,900 S

Page 2

U.S. PATENT DOCUMENTS							
			D362,045	S *	9/1995	Demarest .....	D22/119
1,516,312	A	11/1924	5,446,992	A	9/1995	Stewart	
1,668,726	A	10/1925	5,448,852	A	9/1995	Spragins et al.	
1,586,630	A	6/1926	5,471,781	A	12/1995	Vine	
1,618,513	A	2/1927	5,628,143	A	5/1997	Doucette	
1,638,767	A	8/1927	D385,611	S *	10/1997	Prince et al. ....	D22/119
1,723,208	A	8/1929	5,682,705	A	11/1997	Stahl	
1,860,599	A	5/1932	5,806,237	A	9/1998	Nelson et al.	
1,868,847	A	7/1932	5,857,286	A	1/1999	Doucette	
1,911,919	A	5/1933	5,930,944	A	8/1999	Knuppel	
1,964,611	A	6/1934	5,943,813	A	8/1999	Wang	
1,982,389	A	11/1934	5,943,817	A	8/1999	Miller	
2,193,937	A	3/1940	5,953,853	A	9/1999	Kim	
2,231,191	A	2/1941	5,966,863	A	10/1999	Payton et al.	
2,490,180	A	12/1949	5,979,105	A	11/1999	Marks	
2,532,681	A	12/1950	6,016,623	A	1/2000	Celestine	
2,568,168	A	9/1951	6,082,042	A *	7/2000	Issitt .....	43/131
2,589,360	A	3/1952	6,145,242	A	11/2000	Simpson	
2,643,480	A	6/1953	6,164,010	A	12/2000	Snell et al.	
2,664,663	A	1/1954	6,202,339	B1	3/2001	Knuppel	
2,683,326	A	7/1954	6,202,340	B1	3/2001	Nieves	
2,710,485	A	6/1955	6,212,819	B1	4/2001	Edwards	
2,752,722	A	7/1956	6,263,612	B1	7/2001	Shultz	
2,787,082	A	4/1957	6,266,917	B1	7/2001	Hight	
2,944,364	A	7/1960	6,272,789	B1	8/2001	Huang	
3,320,692	A	5/1967	6,272,791	B1	8/2001	Pleasants	
3,585,750	A	6/1971	6,370,813	B1 *	4/2002	Nelson et al. ....	43/131
3,699,927	A	10/1972	6,389,738	B1	5/2002	Denny et al.	
3,733,735	A	5/1973	D459,428	S *	6/2002	Johnson et al. ....	D22/119
3,786,591	A	1/1974	6,397,517	B1	6/2002	Leyerle et al.	
3,940,876	A	3/1976	6,470,622	B1	10/2002	Braun	
3,992,803	A	11/1976	6,481,151	B1	11/2002	Johnson et al.	
4,026,064	A	5/1977	6,493,988	B1	12/2002	Johnson	
4,030,230	A	6/1977	6,497,070	B1	12/2002	Snell et al.	
4,062,142	A	12/1977	6,513,283	B1	2/2003	Crossen	
D246,854	S	1/1978	6,571,509	B2	6/2003	Frasier	
4,103,448	A	8/1978	6,594,947	B2	7/2003	Lingren et al.	
4,138,796	A	2/1979	6,618,983	B1	9/2003	Spragins	
4,151,673	A	5/1979	6,622,422	B2	9/2003	Gehret et al.	
4,157,628	A	6/1979	6,631,582	B2	10/2003	Knuppel et al.	
4,216,606	A	8/1980	6,651,378	B2	11/2003	Baker	
4,238,903	A	12/1980	6,671,999	B1	1/2004	Doucette	
4,251,946	A	2/1981	6,684,560	B2	2/2004	Lafforthun	
D258,751	S	3/1981	6,694,669	B2	2/2004	Gehret et al.	
4,349,982	A	9/1982	6,789,352	B2	9/2004	Price et al.	
4,363,184	A	12/1982	6,792,713	B2	9/2004	Snell	
4,403,438	A	9/1983	6,807,768	B2	10/2004	Johnson et al.	
4,418,493	A	12/1983	6,860,060	B2	3/2005	Hayes et al.	
4,453,337	A	6/1984	6,874,274	B2	4/2005	Townsend	
4,541,198	A	9/1985	6,955,007	B2	10/2005	Gehret et al.	
4,550,523	A	11/1985	6,990,766	B2	1/2006	Gehret et al.	
4,550,525	A	11/1985	7,026,942	B2	4/2006	Cristofori et al.	
D282,390	S	1/1986	D529,571	S *	10/2006	Hoyes .....	D22/119
4,607,450	A	8/1986	7,363,744	B2	4/2008	Kness et al.	
4,619,071	A	10/1986	D609,303	S *	2/2010	Brandt et al. ....	D22/119
4,637,162	A	1/1987	2001/0001353	A1	5/2001	Jones	
4,658,536	A	4/1987	2001/0017001	A1	8/2001	Leverton	
4,660,320	A	4/1987	2001/0033230	A1	10/2001	Barber et al.	
4,719,718	A	1/1988	2001/0047613	A1	12/2001	Caffagni	
4,741,121	A	5/1988	2002/0043018	A1	4/2002	Townsend	
4,787,170	A	11/1988	2002/0046483	A1	4/2002	Snell et al.	
4,793,093	A	12/1988	2002/0046512	A1	4/2002	Roberts	
4,825,581	A	5/1989	2002/0178648	A1	12/2002	Frasier	
4,835,902	A	6/1989	2002/0184811	A1	12/2002	Wright	
4,837,969	A	6/1989	2002/0184813	A1	12/2002	Johnson et al.	
4,887,381	A	12/1989	2003/0014902	A1	1/2003	Draper	
4,905,407	A	3/1990	2003/0019148	A1	1/2003	Kao et al.	
5,040,327	A	8/1991	2003/0029076	A1	2/2003	Snell et al.	
5,067,271	A	11/1991	2003/0041504	A1	3/2003	Knuppel et al.	
5,148,624	A	9/1992	2003/0069697	A1	4/2003	Mafra-Neto et al.	
5,272,832	A	12/1993	2003/0074832	A1	4/2003	Snell	
5,299,380	A	4/1994	2003/0084603	A1	5/2003	Lafforthun	
			2003/0089025	A1	5/2003	Maffo et al.	

# US D621,900 S

Page 3

2003/0126786 A1 7/2003 Emond  
2003/0131522 A1 7/2003 Swift et al.  
2003/0152604 A1 8/2003 Sutherland et al.  
2003/0182846 A1 10/2003 Nelson et al.  
2004/0025410 A1 2/2004 Shapland  
2004/0181996 A1 9/2004 Johnson et al.  
2004/0200133 A1 10/2004 Townsend  
2004/0244274 A1 12/2004 Dellevigne et al.  
2005/0102887 A1 5/2005 Lang et al.  
2005/0198892 A1 9/2005 Lin  
2006/0042153 A1 3/2006 Bowerman  
2006/0053682 A1 3/2006 Goldstein  
2006/0156615 A1 7/2006 Hale  
2006/0156617 A1 7/2006 Hale  
2006/0254122 A1 11/2006 Murchison  
2006/0272197 A1 12/2006 Wiesener et al.  
2007/0017148 A1 1/2007 Blau  
2007/0289200 A1 12/2007 Danielsson  
2008/0072475 A1 3/2008 Nelson et al.  
2008/0184613 A1 8/2008 Finnigan  
2010/0050498 A1 3/2010 Nelson et al.

## FOREIGN PATENT DOCUMENTS

WO 03009683 A1 2/2003  
WO 03045138 A1 6/2003  
WO 2004098281 A1 11/2004  
WO 2005006857 A2 1/2005  
WO 2007026123 A1 3/2007

WO 2008035304 A3 3/2008

## OTHER PUBLICATIONS

<http://www.instawares.com/rat-bait-station.rii-jt904.0.7.htm> printed Sep. 11, 2008, 3 pages.  
<http://doyourownpestcontrol.com/baitrod.htm>, printed Sep. 11, 2008, 13 pages.  
<http://www.doyourownpestcontrol.com/SPEC/pick-protectalp.htm>, printed Sep. 11, 2008, 9 pages.  
<http://www.pestcontrol-products.com/rodent/index.html>, printed Sep. 11, 2008, 15 pages.  
<http://www.domyownpestcontrol.com/protecta-lp-rat-bait-station-case-stations-p-128.html>, printed Sep. 11, 2008, 3 pages.  
<http://www.ecolab.com/businesses/pest/CheckPointRodent.asp?nav=home>, printed Sep. 11, 2008, 2 pages.  
<http://www.domyownpestcontrol.com/ez-klean-rodent-bait-station-case-stations-p-324.htm>, printed Sep. 11, 2008, 3 pages.  
[http://www.ecolab.com/businesses/pest/images/products/bait\\_lg.jpg](http://www.ecolab.com/businesses/pest/images/products/bait_lg.jpg), printed Sep. 11, 2008, 1 page.  
Mallis, Arnold, The Behavior, Life History, and Control of Household Pests, Handbook of Pest Control, 2004, 3 pages, Ninth edition, GIE Media, Inc.  
<http://www.wisconsinhistory.org/whi/feature/skyhigh/fullRecord.asp?id=32357&qstring=h>, printed Sep. 30, 2009, 1 page.  
JT Eaton Products Catalog, 4 pages, J.T. Eaton & Co., Inc., Twinsburg, OH.

\* cited by examiner

FIG. 1

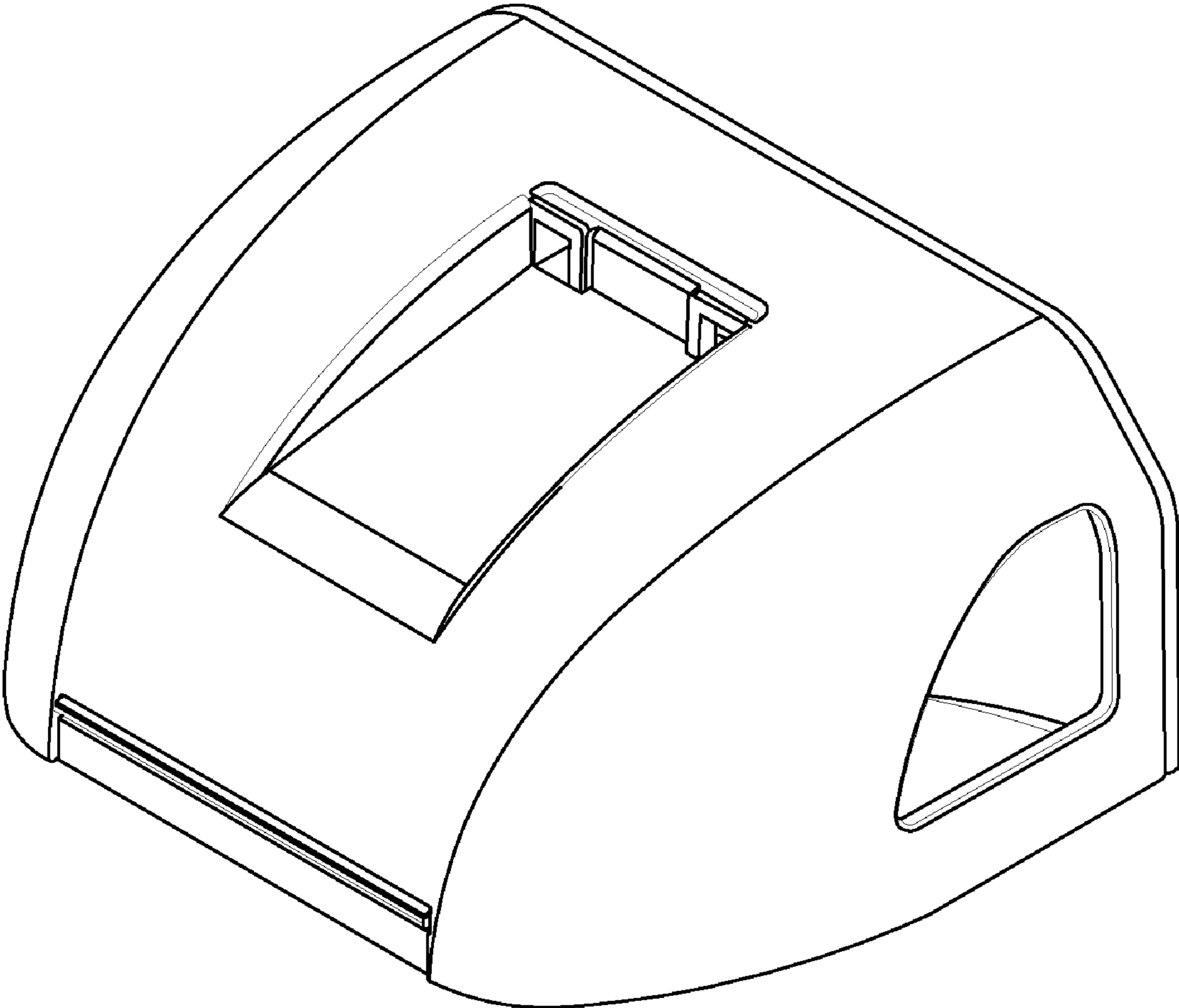


FIG. 2

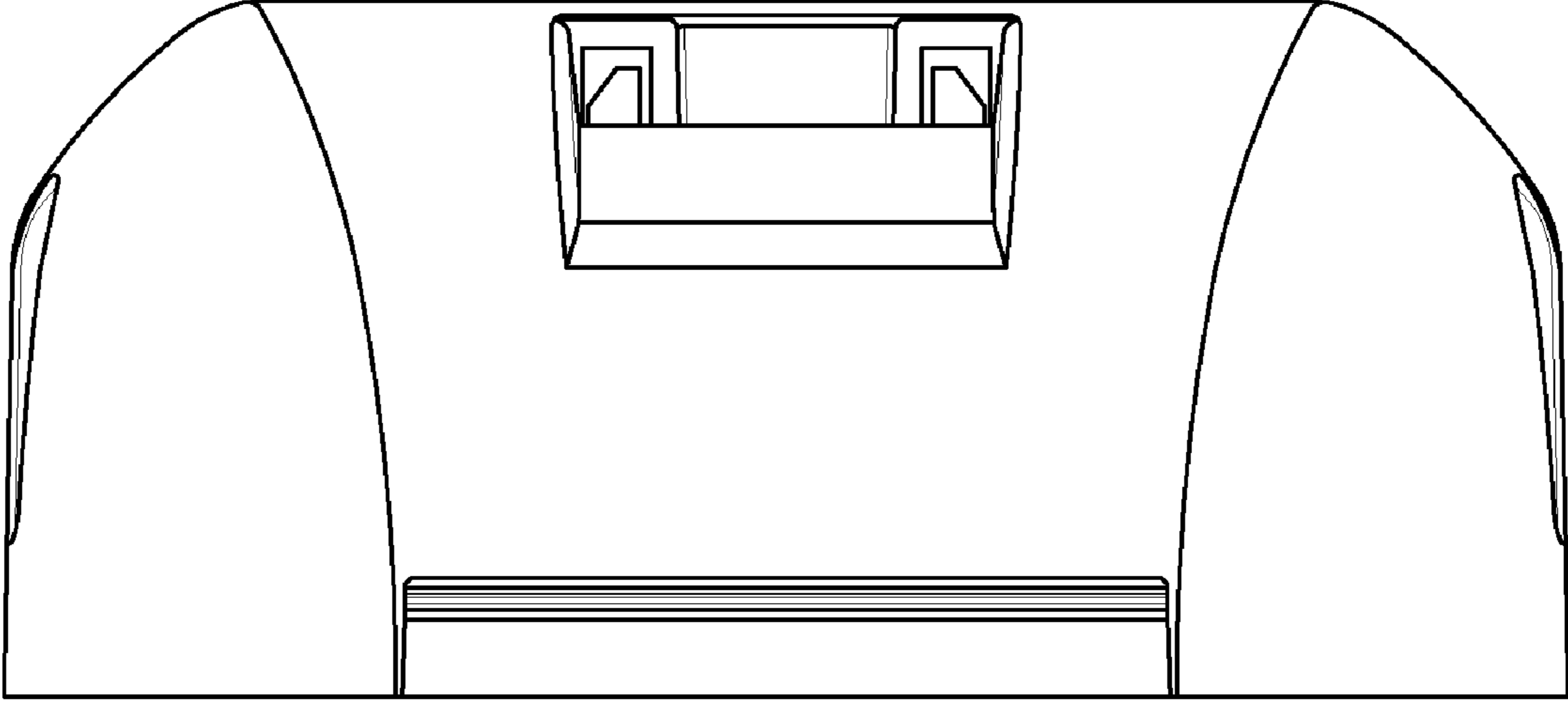


FIG. 3

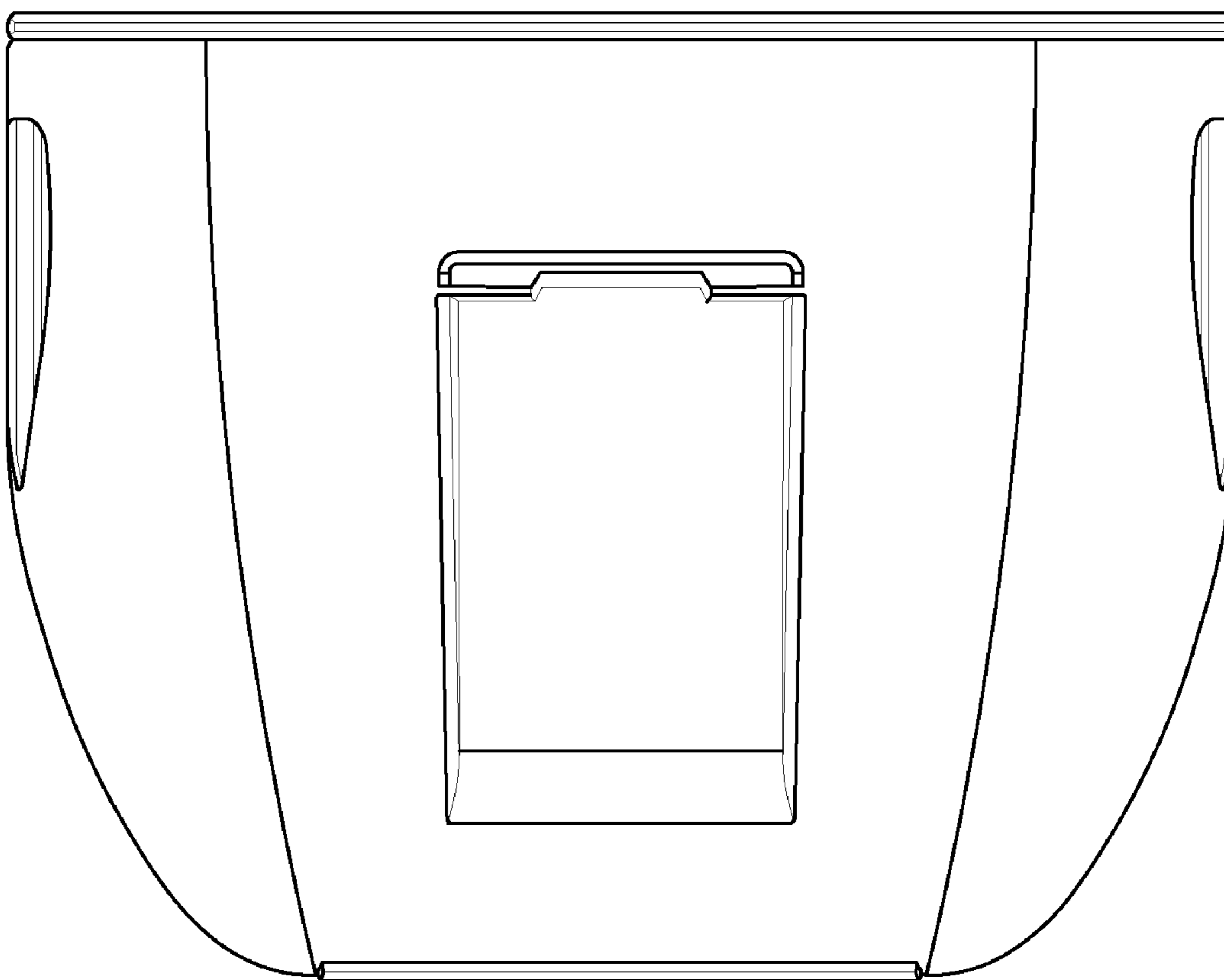


FIG. 4

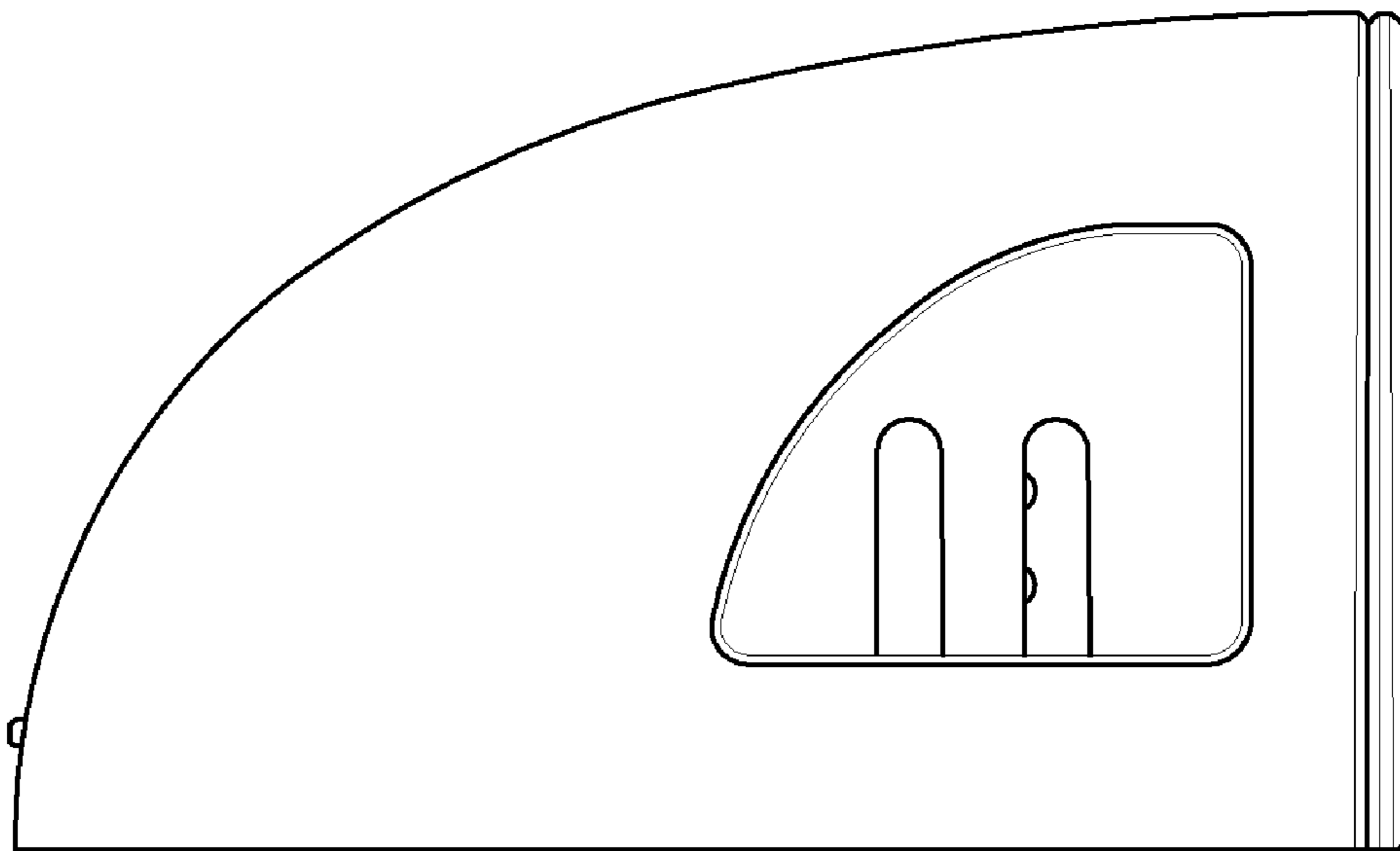


FIG. 5

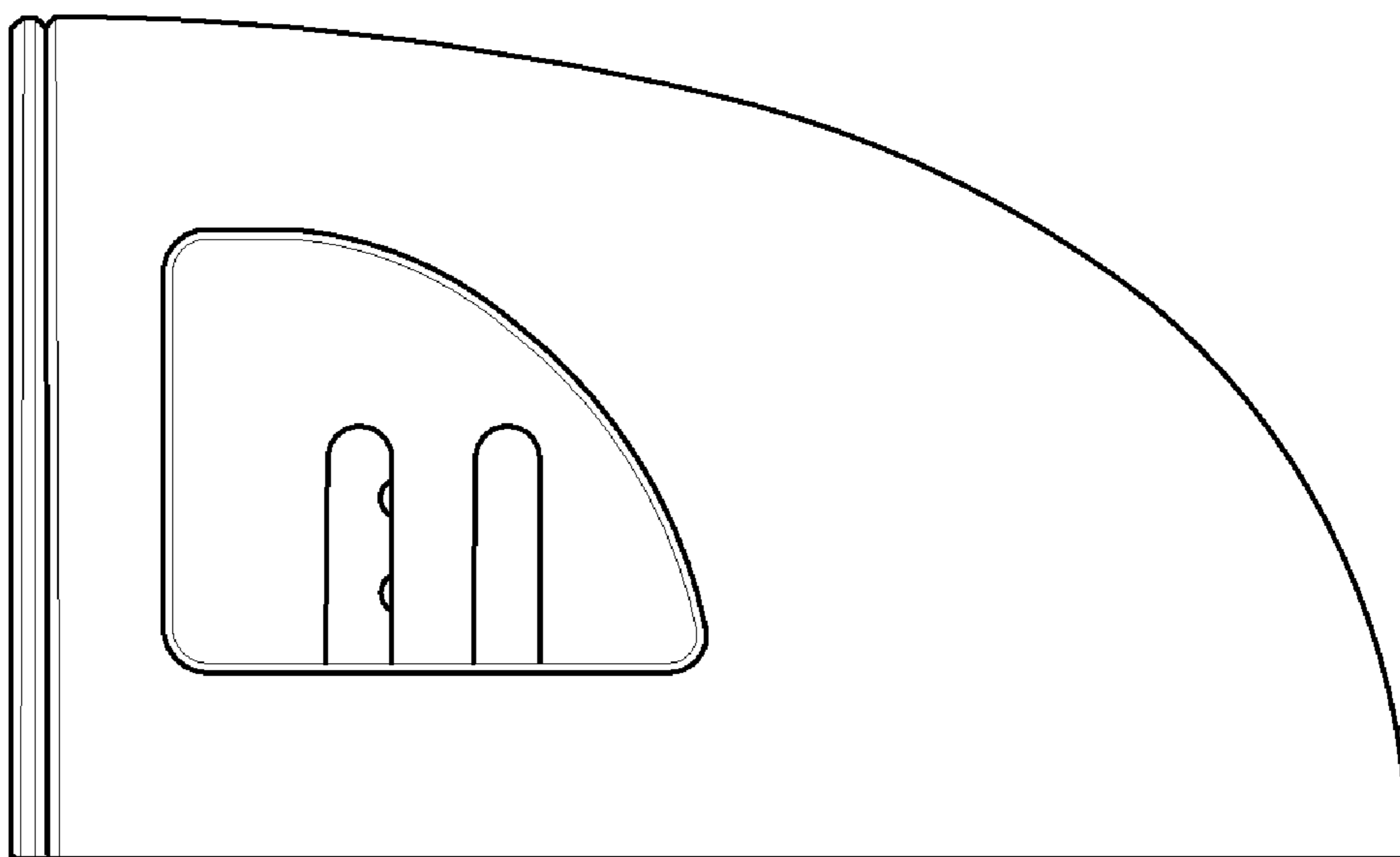




FIG. 6

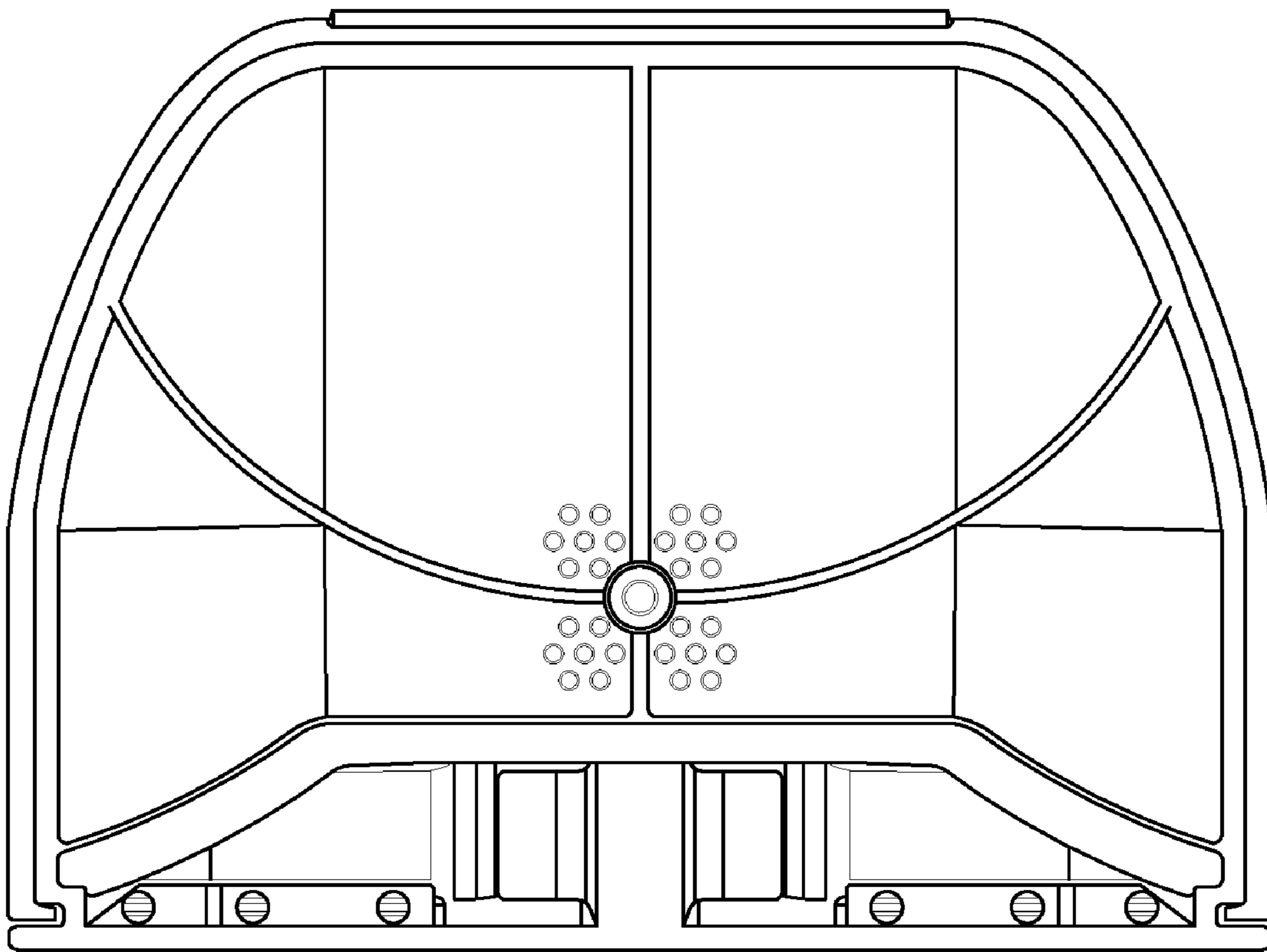


FIG. 7

