



US00D621899S

(12) **United States Design Patent**
Ballard

(10) **Patent No.:** **US D621,899 S**

(45) **Date of Patent:** **** Aug. 17, 2010**

(54) **MULTI-POST GUN SIGHT BODY**

D546,916 S 7/2007 Schwerman
7,243,432 B1 7/2007 Rager
7,343,686 B2 3/2008 Rager

(76) Inventor: **Marlin Daniel Ballard**, 4900 W.
William Cannon, Austin, TX (US) 78749

* cited by examiner

(**) Term: **14 Years**

Primary Examiner—T. Chase Nelson
Assistant Examiner—Michael A Pratt

(21) Appl. No.: **29/315,887**

(74) *Attorney, Agent, or Firm*—David O. Simmons

(22) Filed: **Aug. 3, 2009**

(57) **CLAIM**

(51) **LOC (9) Cl.** **22-01**

The ornamental design for a multi-post gun sight body, substantially as shown.

(52) **U.S. Cl.** **D22/109**

(58) **Field of Classification Search** D22/108–110,
D22/199; D16/130, 132, 133, 134, 330;
359/359, 399, 744, 823; 42/111, 119, 122,
42/133

See application file for complete search history.

DESCRIPTION

FIG. 1 is a perspective view of a multi-post gun sight body in accordance with the present invention;

FIG. 2 is a front view of the multi-post gun sight body shown in FIG. 1;

FIG. 3 is a rear view of the multi-post gun sight body shown in FIG. 1;

FIG. 4 is a left side view of the multi-post gun sight body shown in FIG. 1;

FIG. 5 is a right side view of the multi-post gun sight body shown in FIG. 1;

FIG. 6 is a top view of the multi-post gun sight body shown in FIG. 1; and,

FIG. 7 is a bottom view of the multi-post gun sight body shown in FIG. 1.

(56) **References Cited**

U.S. PATENT DOCUMENTS

1,365,236	A	1/1921	Fletcher	
1,851,189	A *	3/1932	King	42/144
2,677,472	A	5/1954	Kocur	
3,455,027	A	7/1969	Perkins	
4,021,926	A *	5/1977	Hrebar	42/137
4,162,579	A	7/1979	James	
D416,069	S *	11/1999	Emerson	D22/109
D429,789	S	8/2000	Sheehan	
6,360,471	B1	3/2002	Stein	
7,181,882	B2	2/2007	Woodbury	
7,200,943	B2	4/2007	Afshari	
7,200,944	B2	4/2007	Rager	

1 Claim, 2 Drawing Sheets

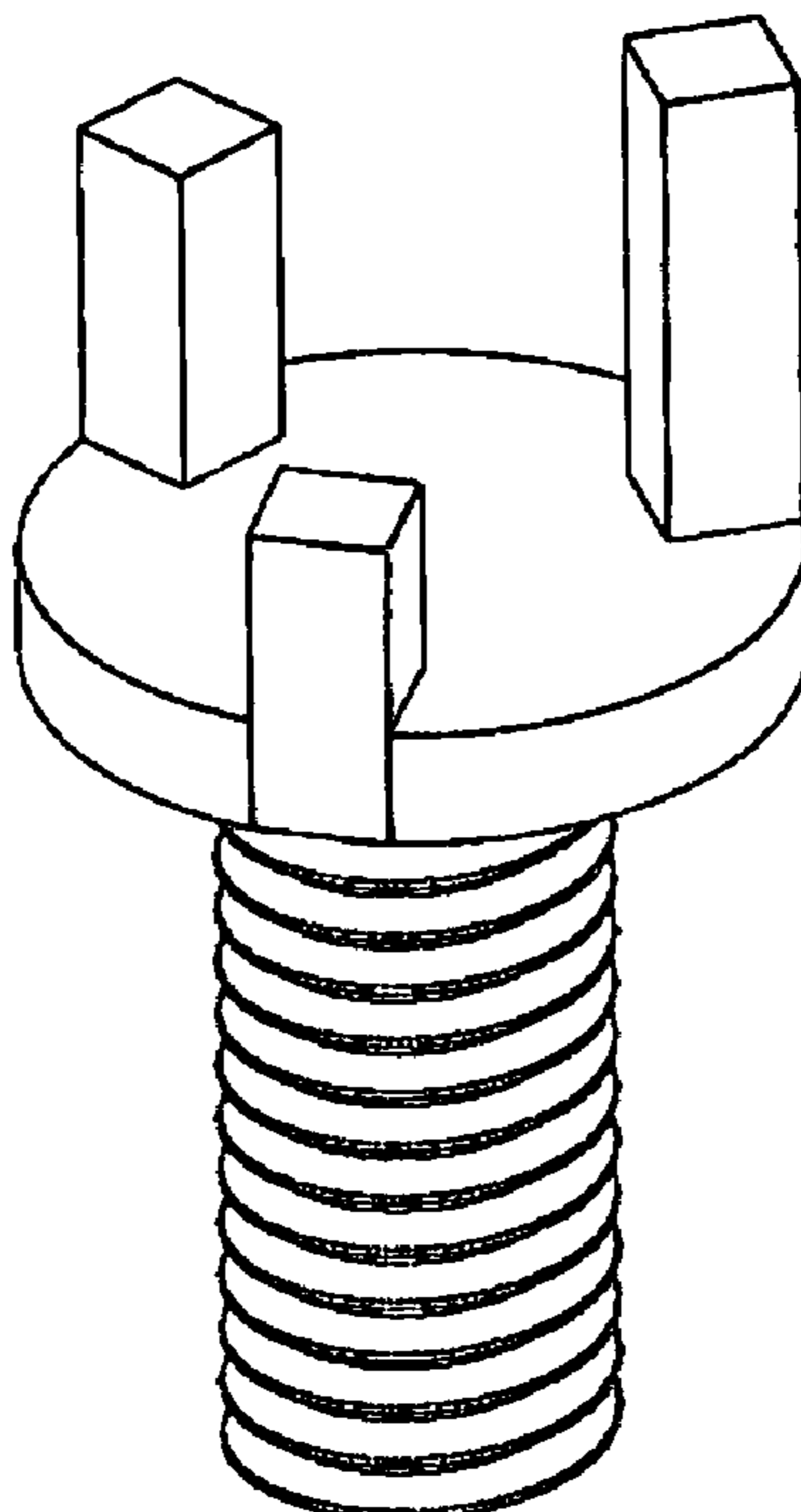


FIG. 1

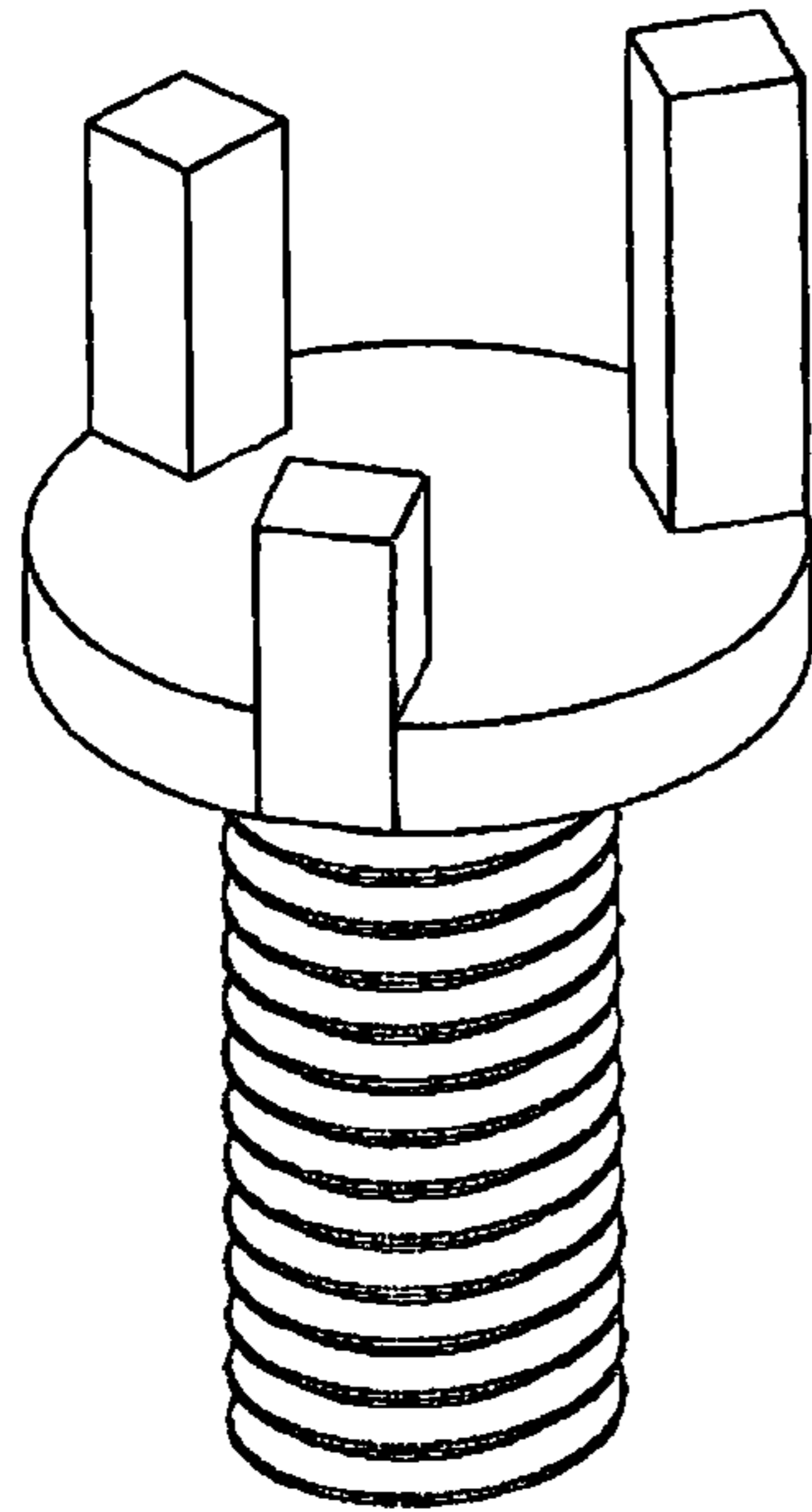


FIG. 2

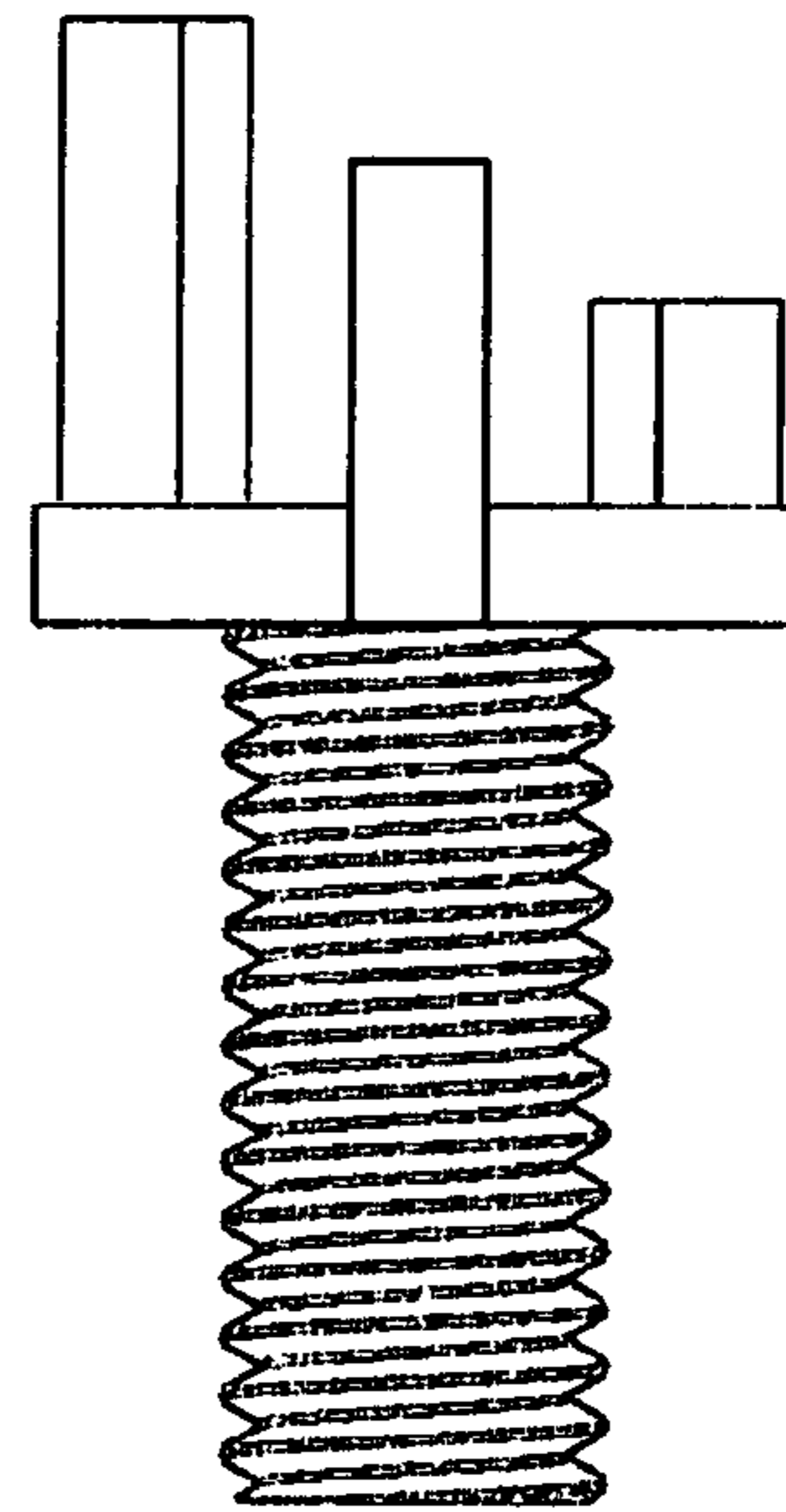


FIG. 3

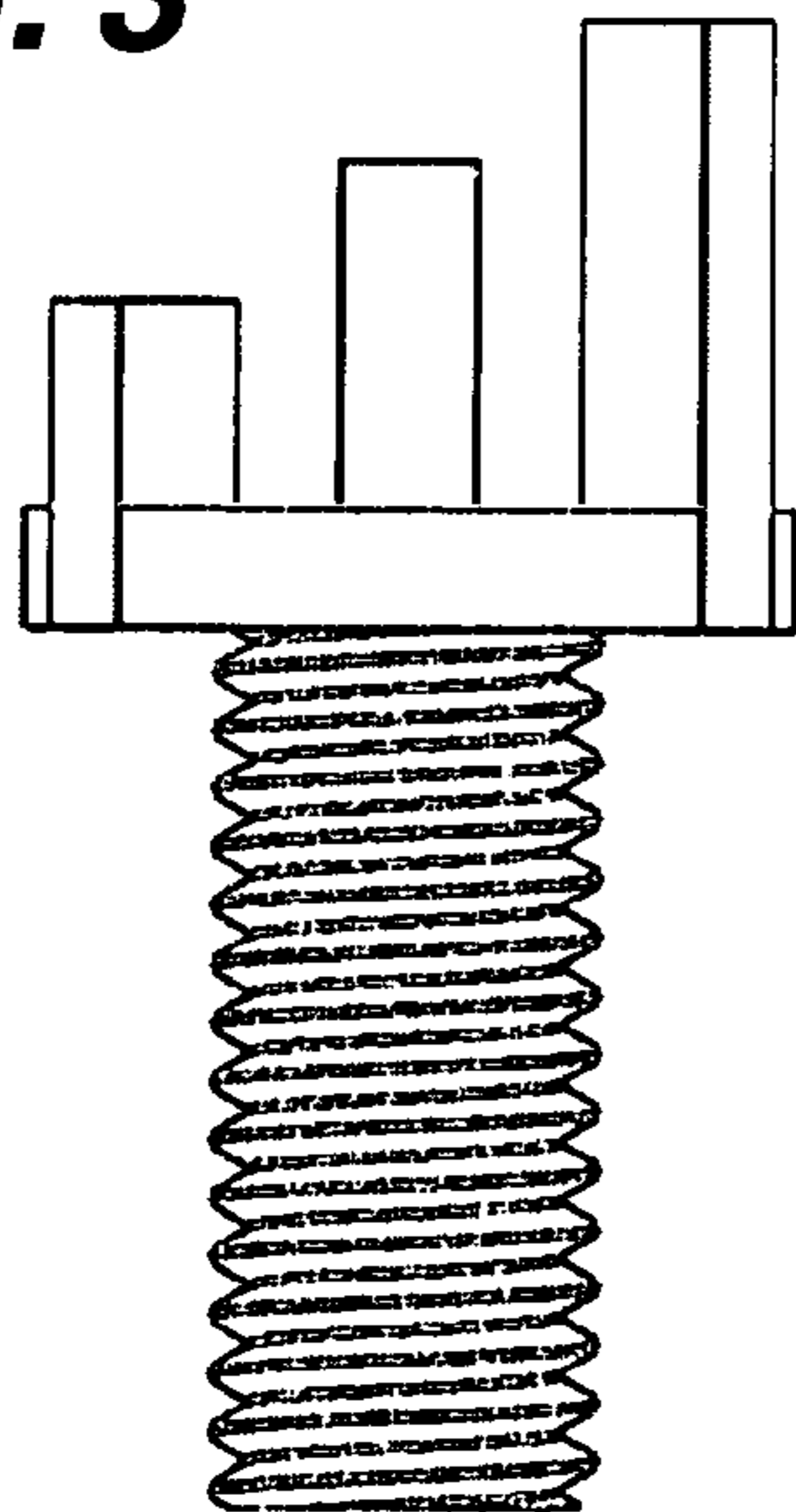


FIG. 4

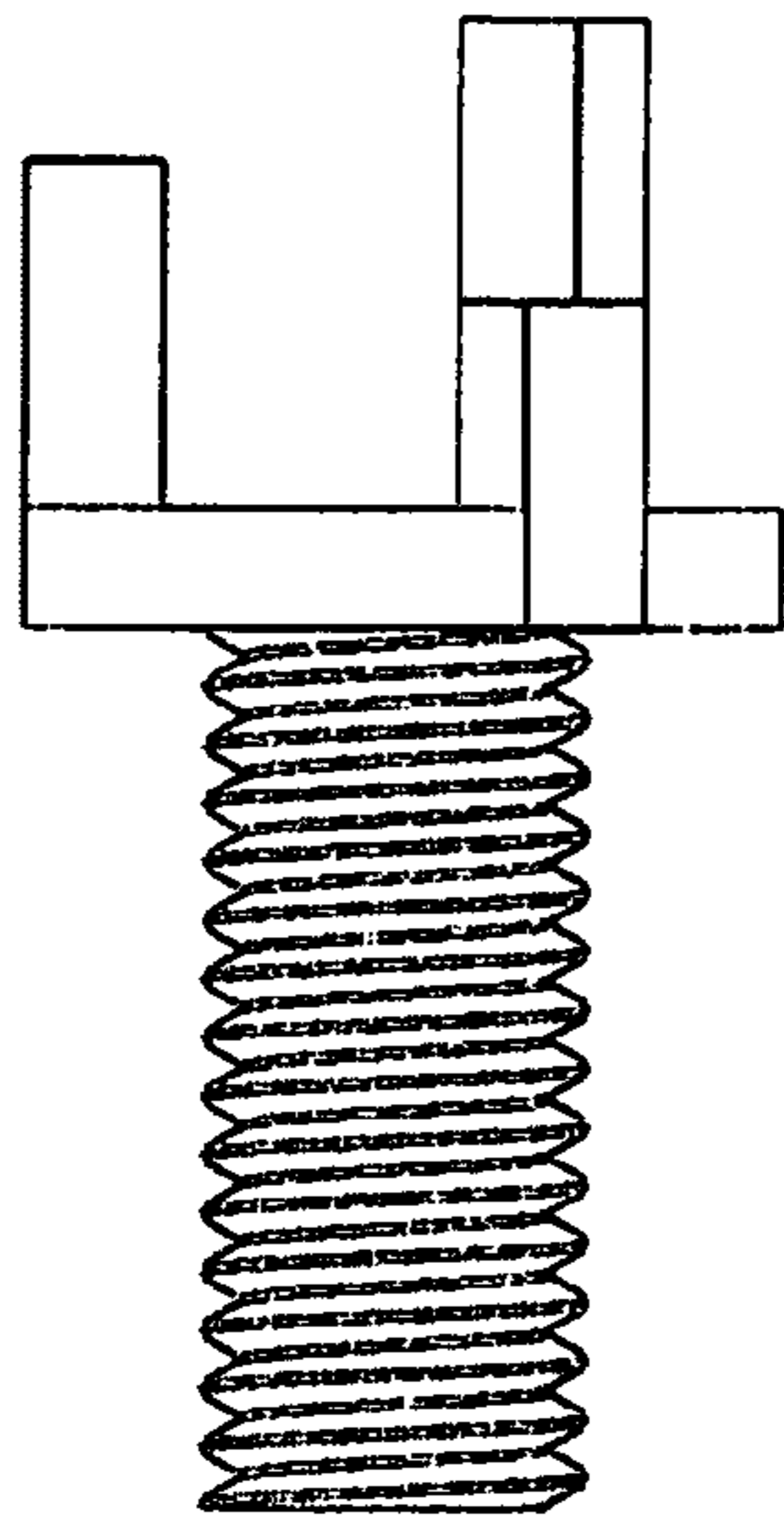


FIG. 5

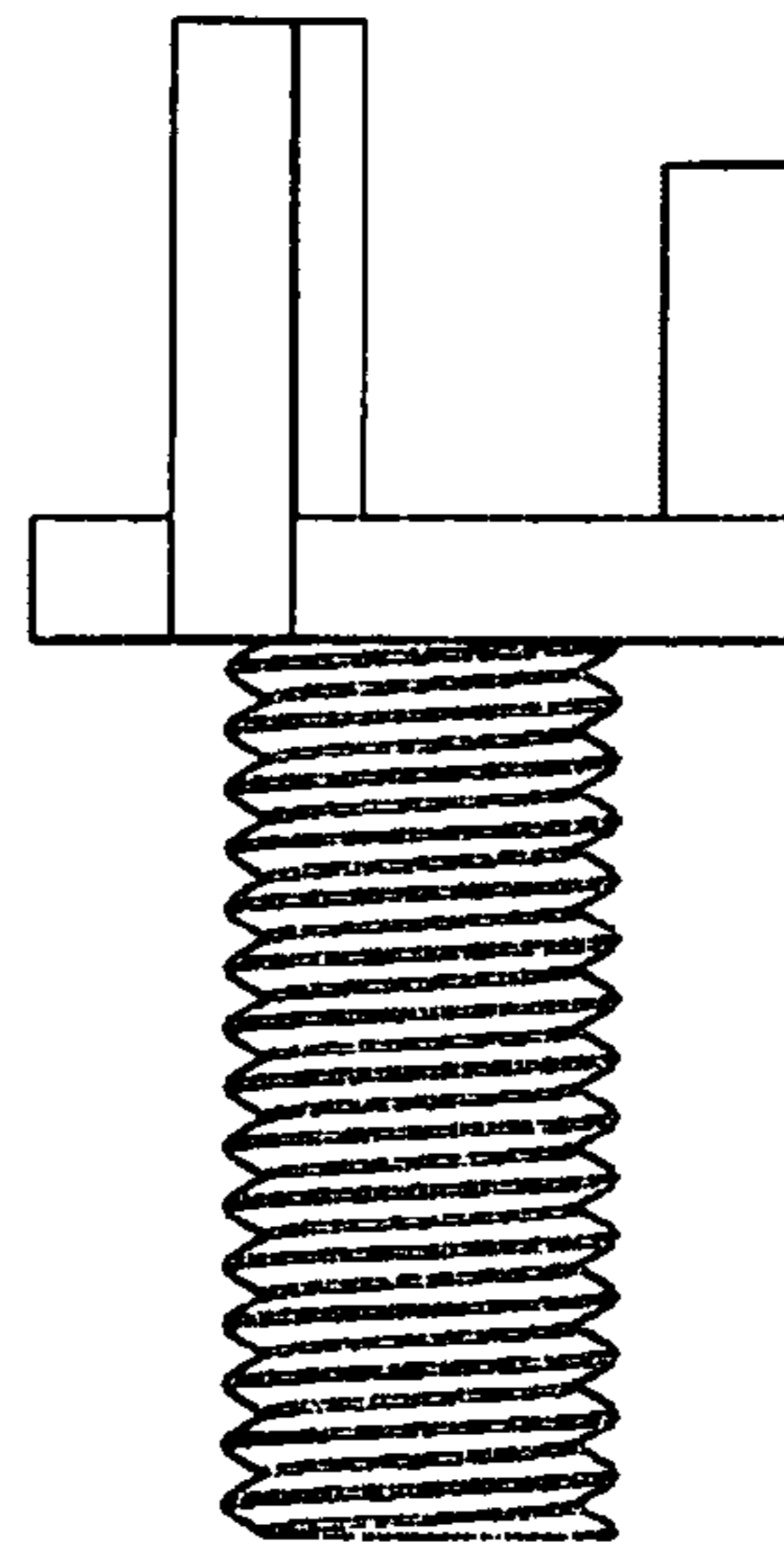


FIG. 6

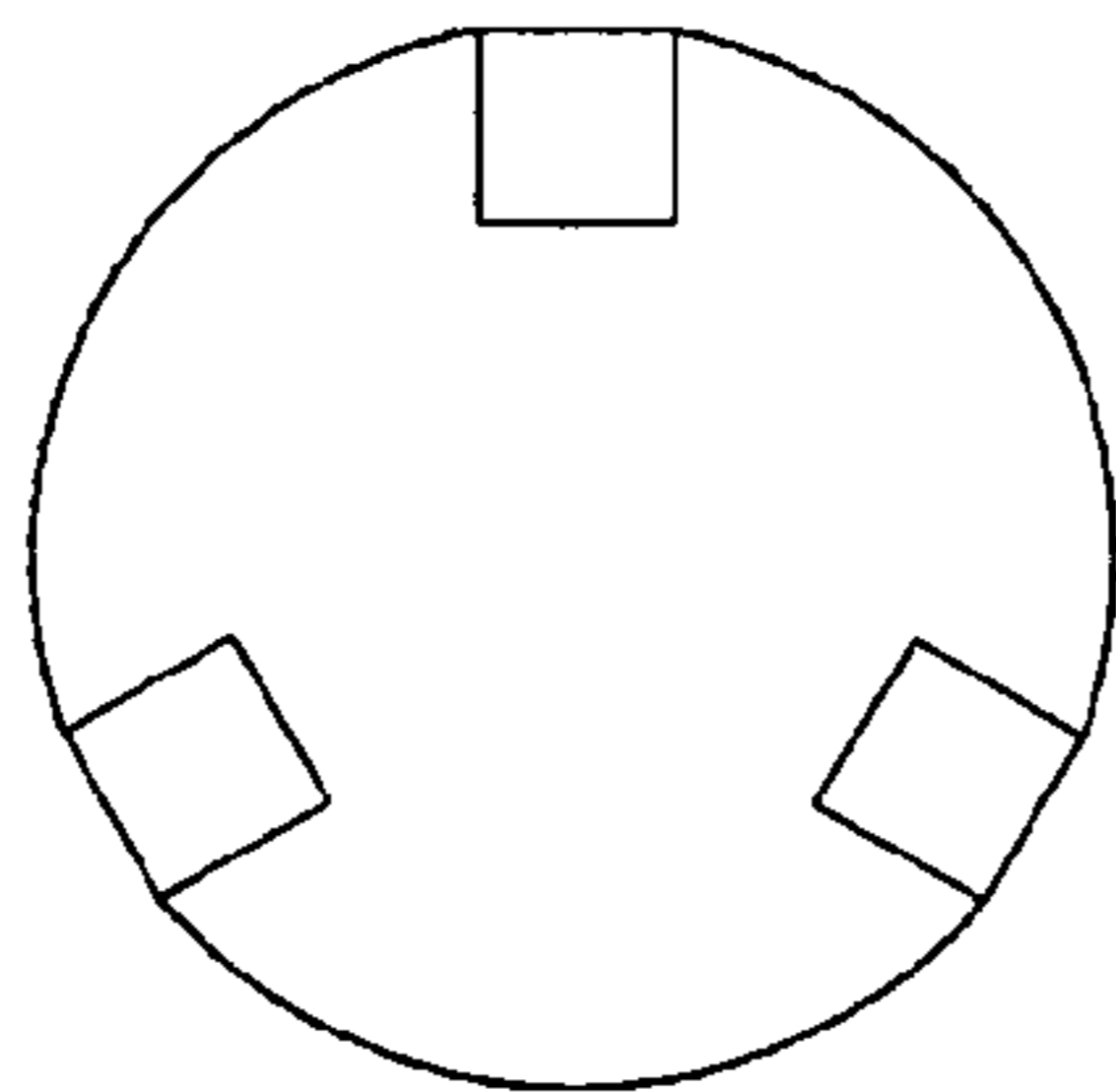


FIG. 7

