



US00D621898S

(12) **United States Design Patent**
Smith

(10) **Patent No.:** **US D621,898 S**

(45) **Date of Patent:** **** *Aug. 17, 2010**

(54) **GROUND BLIND**

(76) Inventor: **Doug Smith**, P.O. Box 5017, Morton, IL
(US) 61550

(*) Notice: This patent is subject to a terminal disclaimer.

(**) Term: **14 Years**

(21) Appl. No.: **29/314,656**

(22) Filed: **Apr. 16, 2009**

(51) **LOC (9) Cl.** **21-04**

(52) **U.S. Cl.** **D21/838; D21/834**

(58) **Field of Classification Search** D21/834-839;
D25/13, 16-20, 26, 56; 135/16, 87, 100,
135/115, 121, 124-126, 128, 135, 136, 143,
135/146, 147, 153, 156, 901, 902

See application file for complete search history.

(56) **References Cited**

U.S. PATENT DOCUMENTS

2,159,273	A *	5/1939	Killinger	135/125
4,067,346	A *	1/1978	Husted	135/153
4,364,193	A *	12/1982	Visco	135/901
4,938,243	A *	7/1990	Foster	135/136
5,010,909	A *	4/1991	Cleveland	135/125
5,377,711	A *	1/1995	Mueller	135/87
5,628,338	A *	5/1997	Stumbo	135/147
6,318,394	B1 *	11/2001	Zheng	135/126
D505,175	S *	5/2005	Wehner	D21/834
6,892,744	B2 *	5/2005	Feldpausch et al.	135/146
D511,196	S *	11/2005	Wehner	D21/834

D524,900	S *	7/2006	Reis	D21/837
7,225,823	B1 *	6/2007	Ransom et al.	135/126
7,320,332	B2 *	1/2008	Reis	135/115
7,565,909	B2 *	7/2009	Reis et al.	135/115
2002/0069904	A1 *	6/2002	Robinson	135/87
2002/0134416	A1 *	9/2002	Feldpausch et al.	135/128
2006/0096630	A1 *	5/2006	Eastman et al.	135/115

* cited by examiner

Primary Examiner—Philip S Hyder

Assistant Examiner—Cynthia M Chin

(74) *Attorney, Agent, or Firm*—Law Office of Robert M. Patino

(57) **CLAIM**

The ornamental design for a ground blind, as shown and described.

DESCRIPTION

FIG. 1 is a top front perspective view of a ground blind showing my new design;

FIG. 2 is a front elevational view thereof;

FIG. 3 is a right-side elevational view thereof;

FIG. 4 is a left-side elevational view thereof;

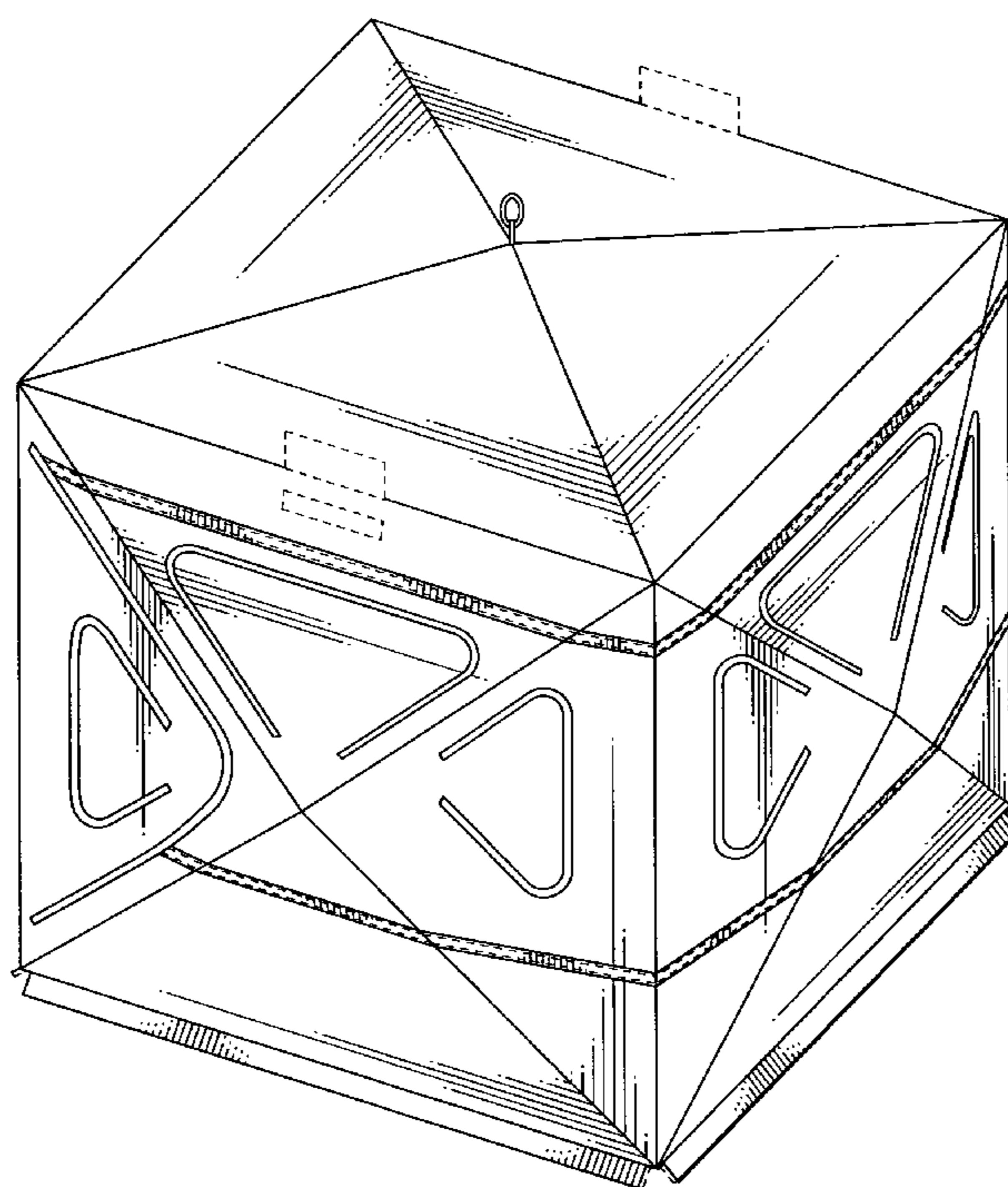
FIG. 5 is a rear elevational view thereof;

FIG. 6 is a top plan view thereof; and,

FIG. 7 is a bottom plan view thereof.

The broken lines showing small rectangles and selective elements on the bottom of the tent represent portions that form no part of the claimed design.

1 Claim, 7 Drawing Sheets



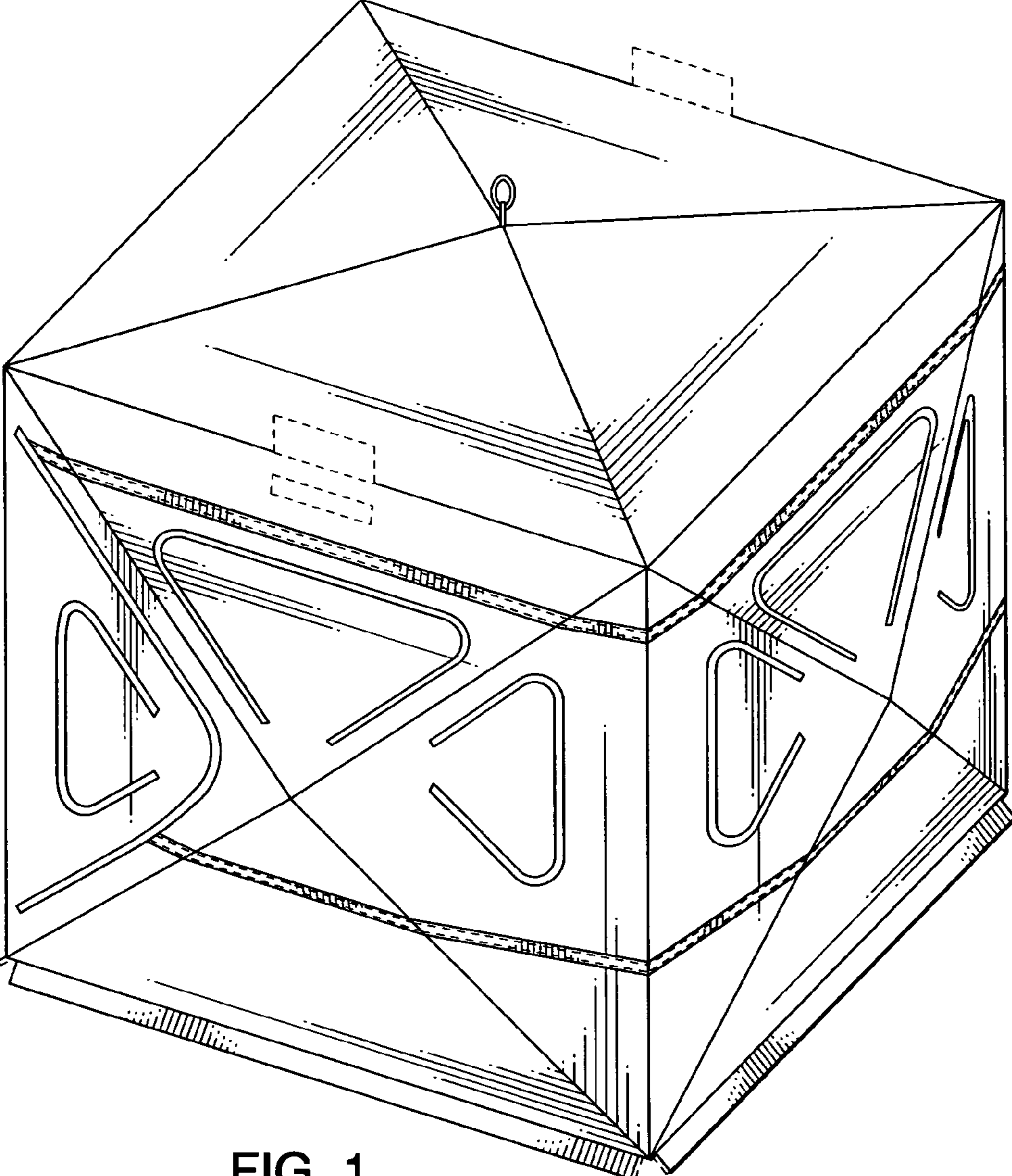


FIG. 1

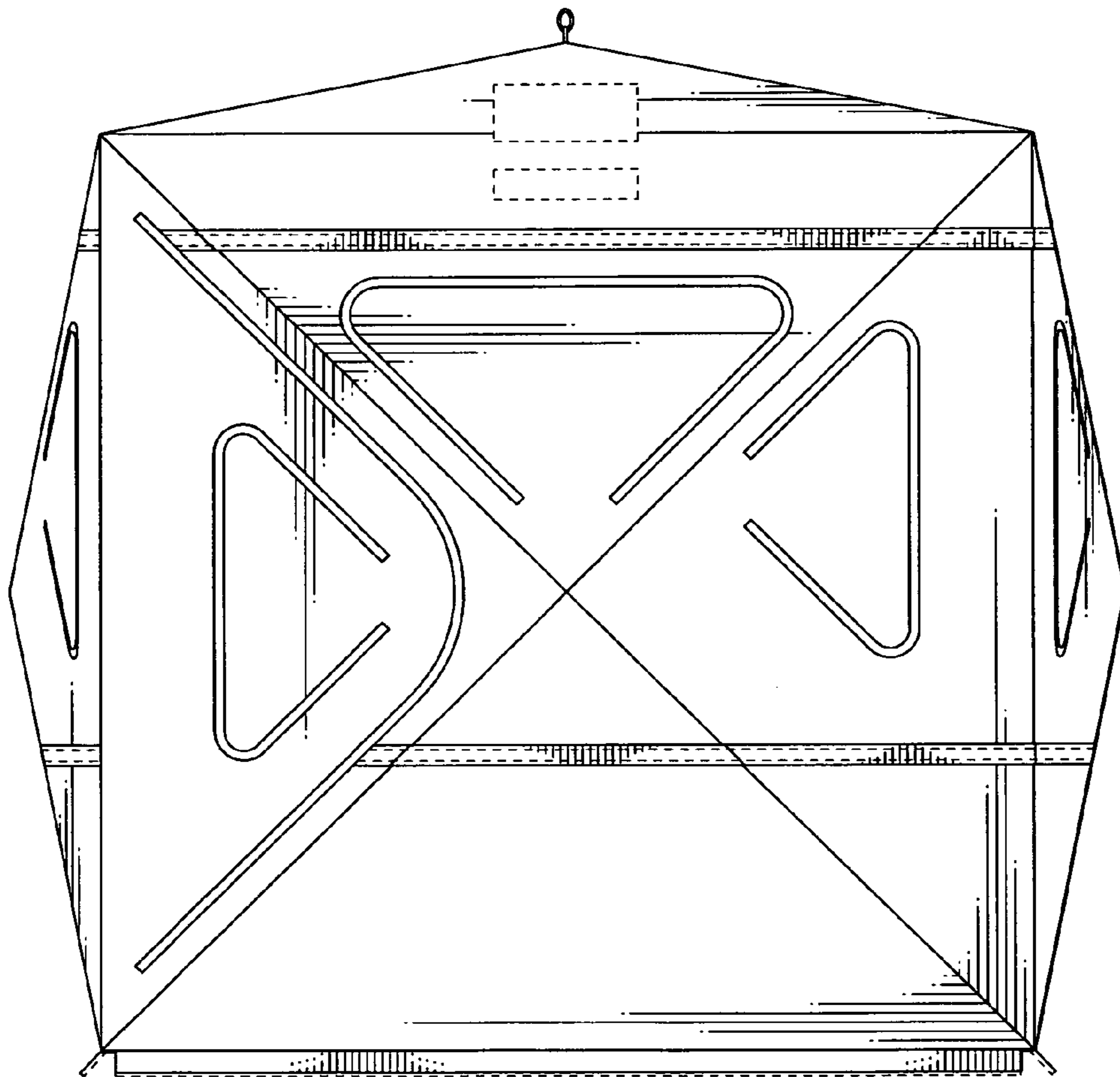


FIG. 2

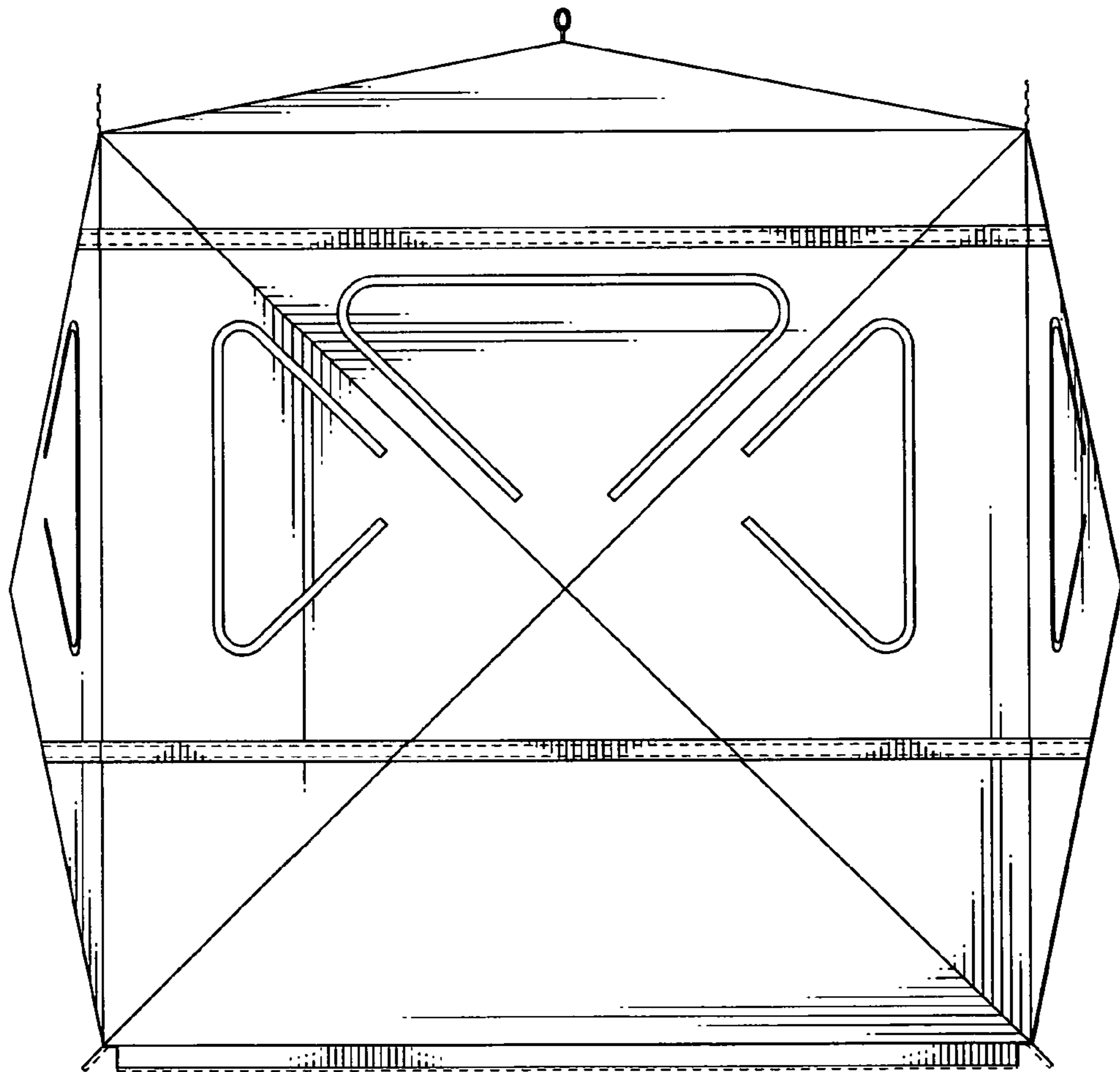


FIG. 3

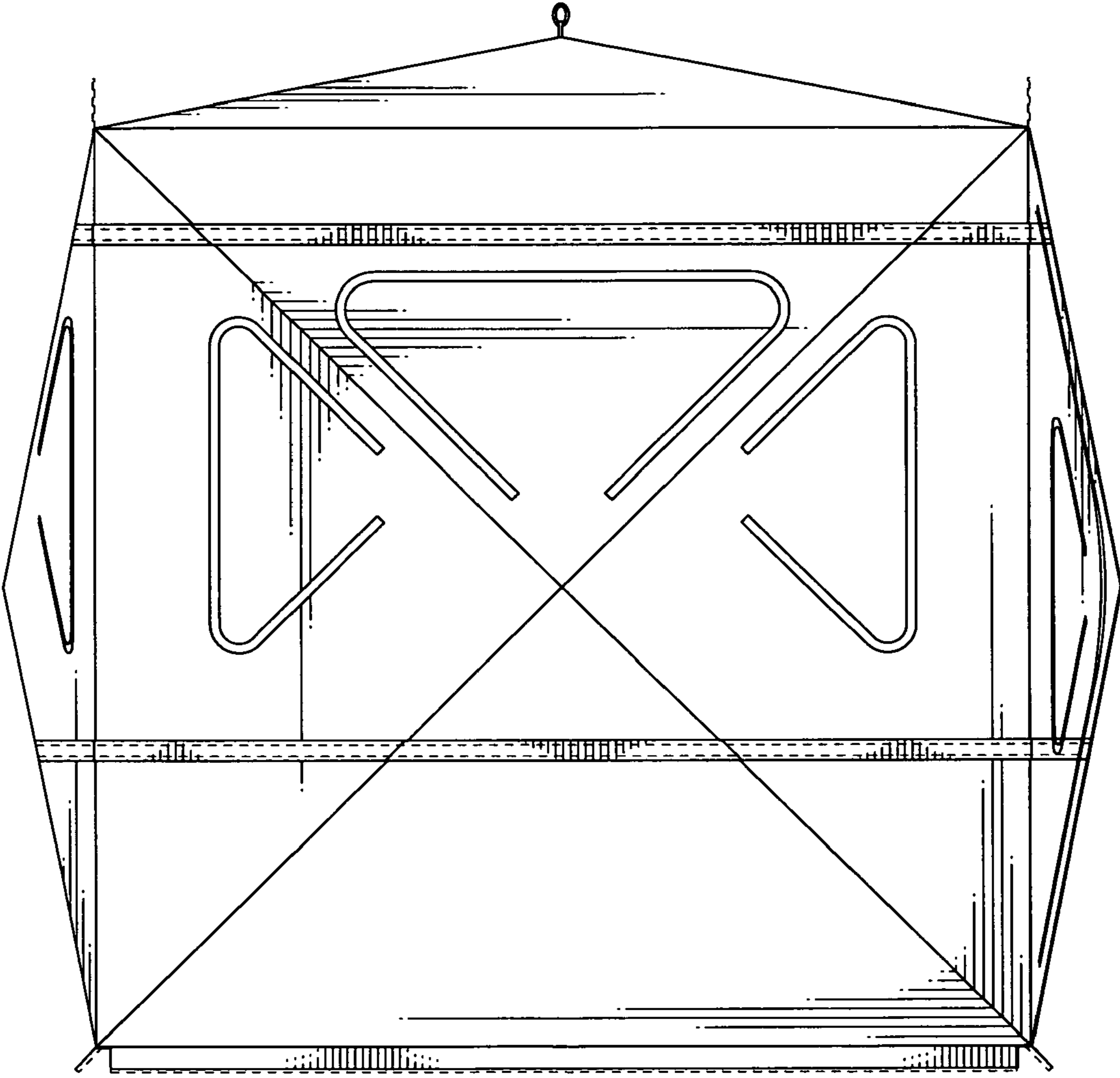


FIG. 4

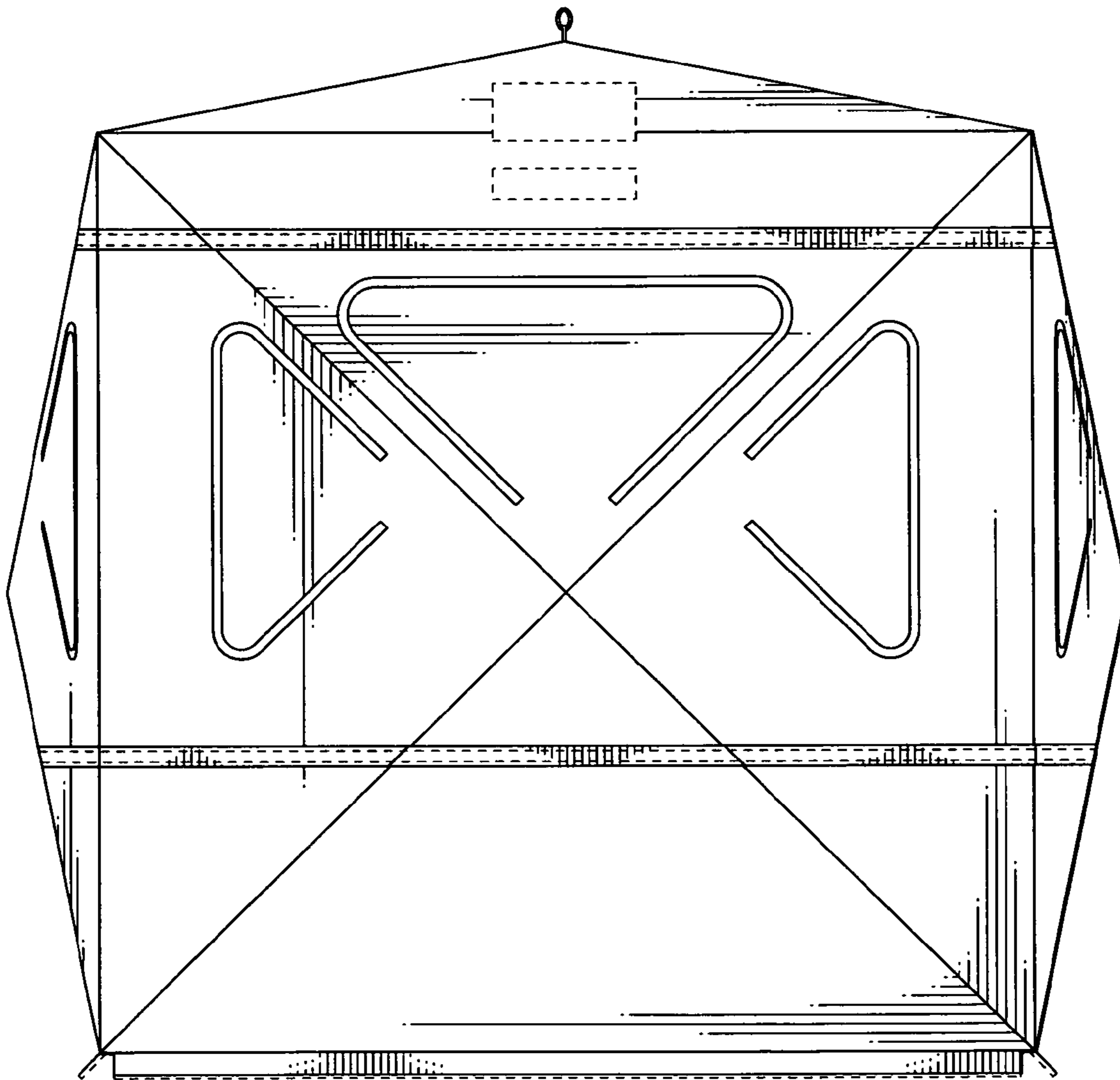


FIG. 5

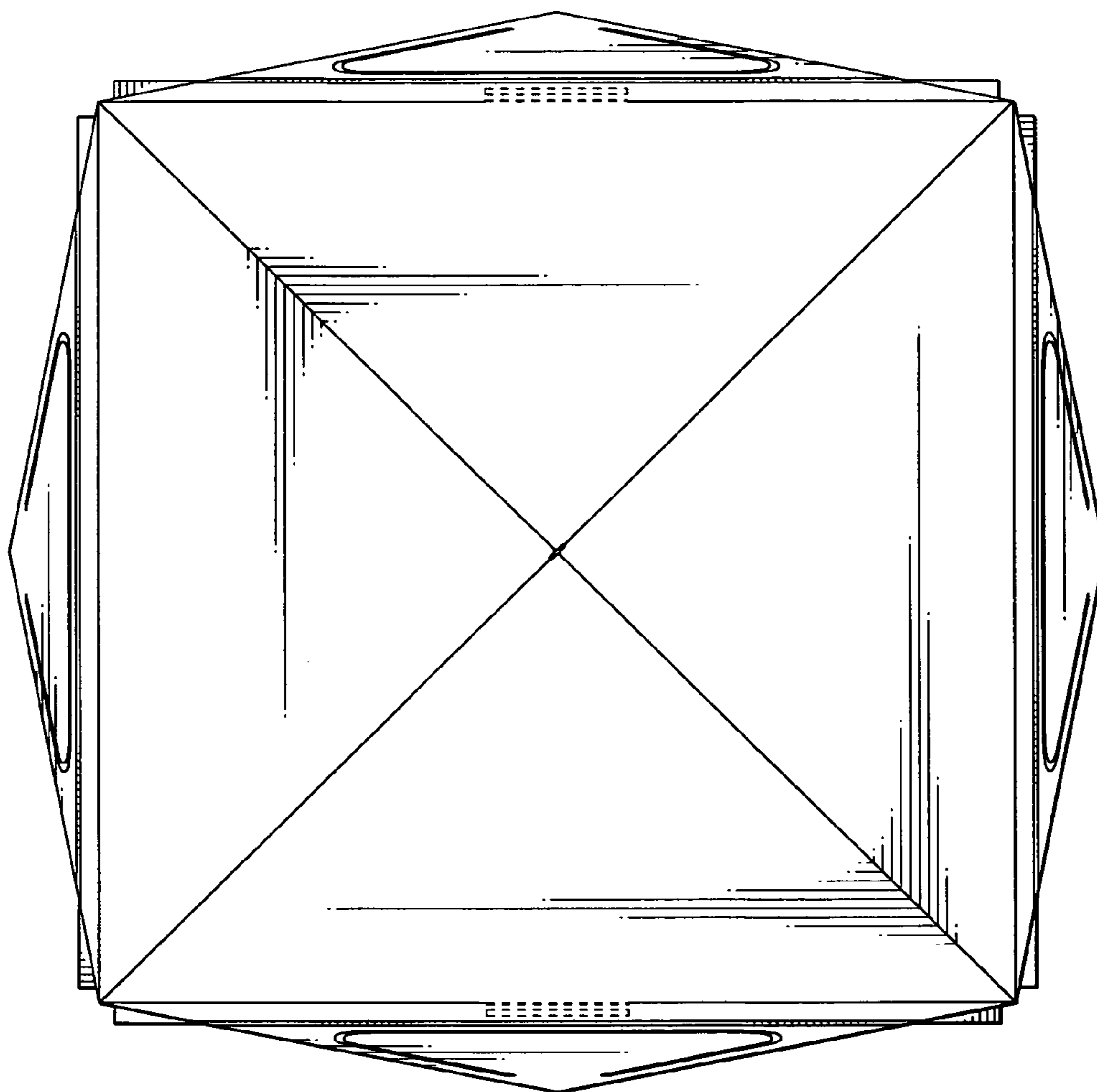


FIG. 6

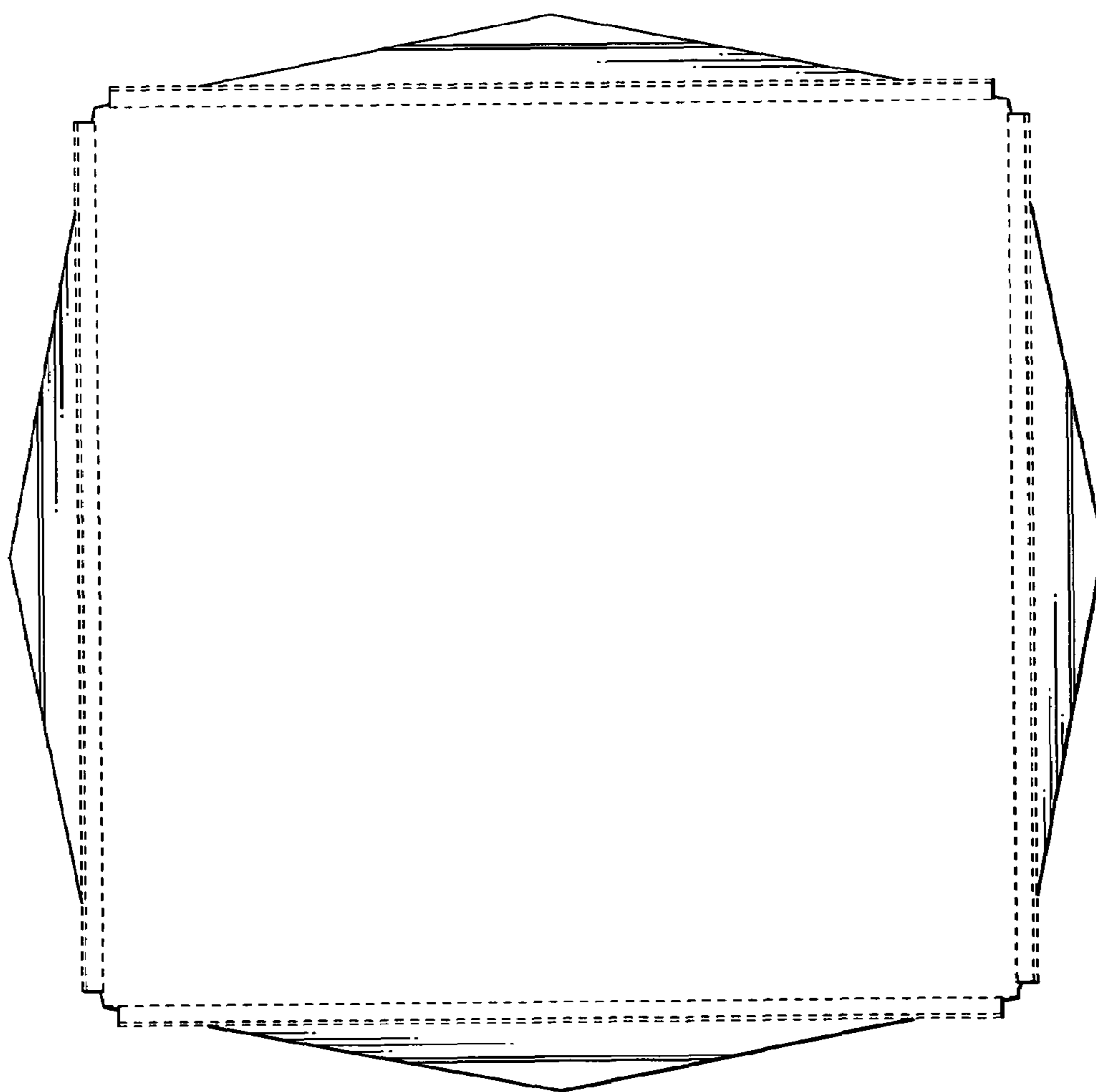


FIG. 7